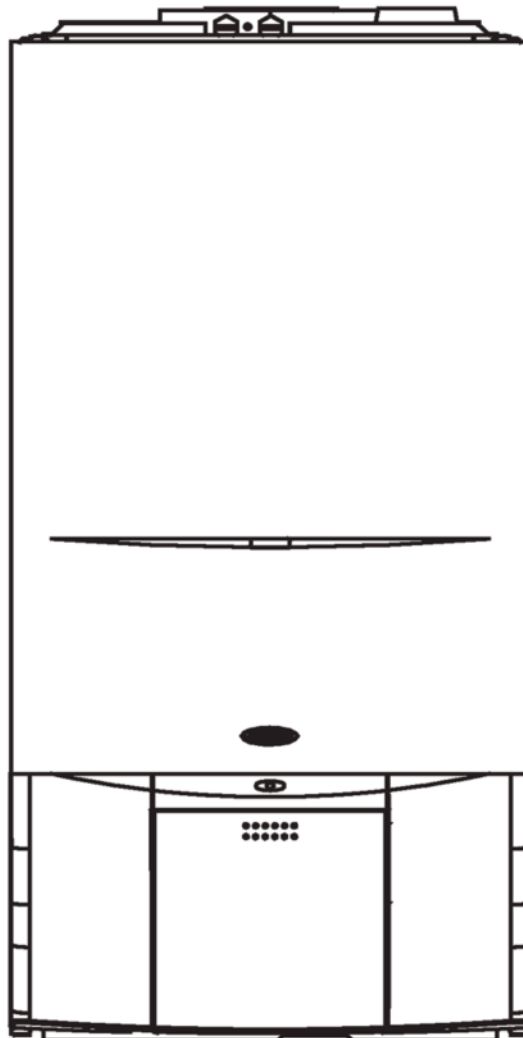


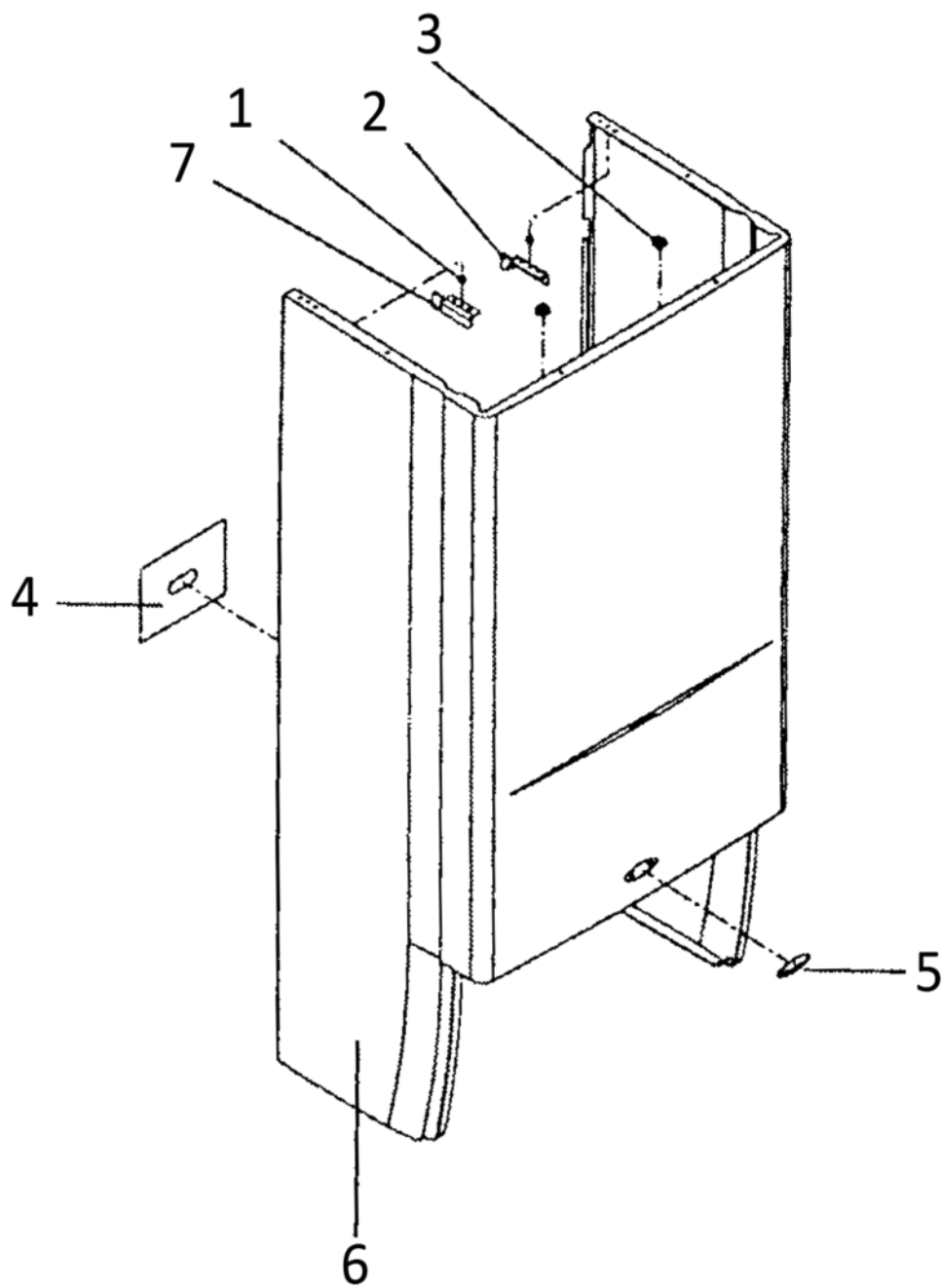
# Linea 28 Mark 1

Serial Number up to 164370001



Controls and Accessories	Part Number	Controls and Accessories	Part Number
CLOCK - MECHANICAL	201	CLOCK - DIGITAL	202
CONVERSION KIT LPG - NG	01005225	CONVERSION KIT NG - LPG	0594
HORIZONTAL FLUE TERMINAL	2359029	VERTICAL FLUE TERMINAL	2359039

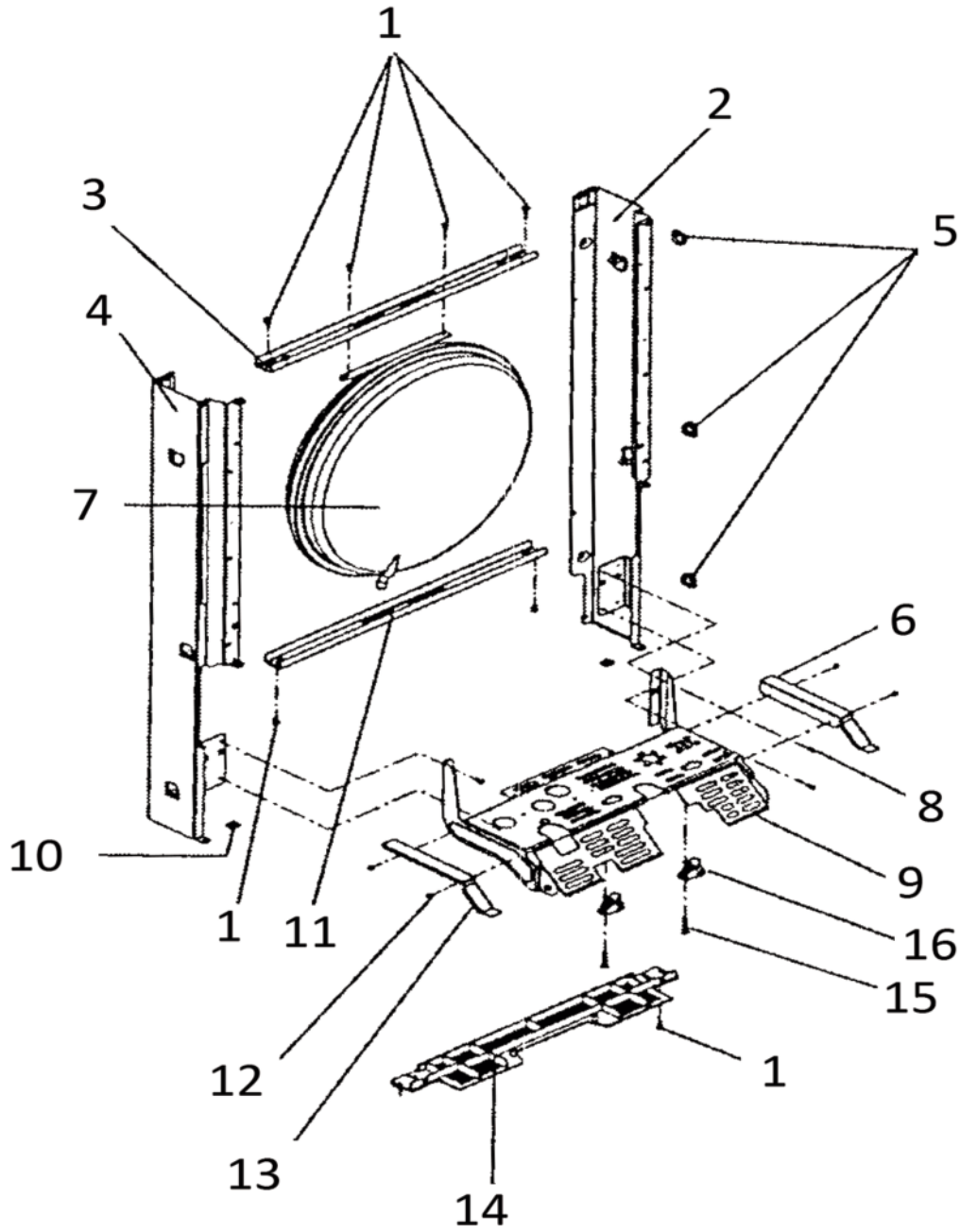
# Outer Casing



Position	Description	Part Number
1	RIVET	5093
2	LOCATING CLIP R/H	1881
3	CLIP	5230
4	SELF ADHESIVE ALUM SHEET	5333

Position	Description	Part Number
5	LABEL	1781
6	CASE	1922
7	LOCATING CLIP L/H	1882

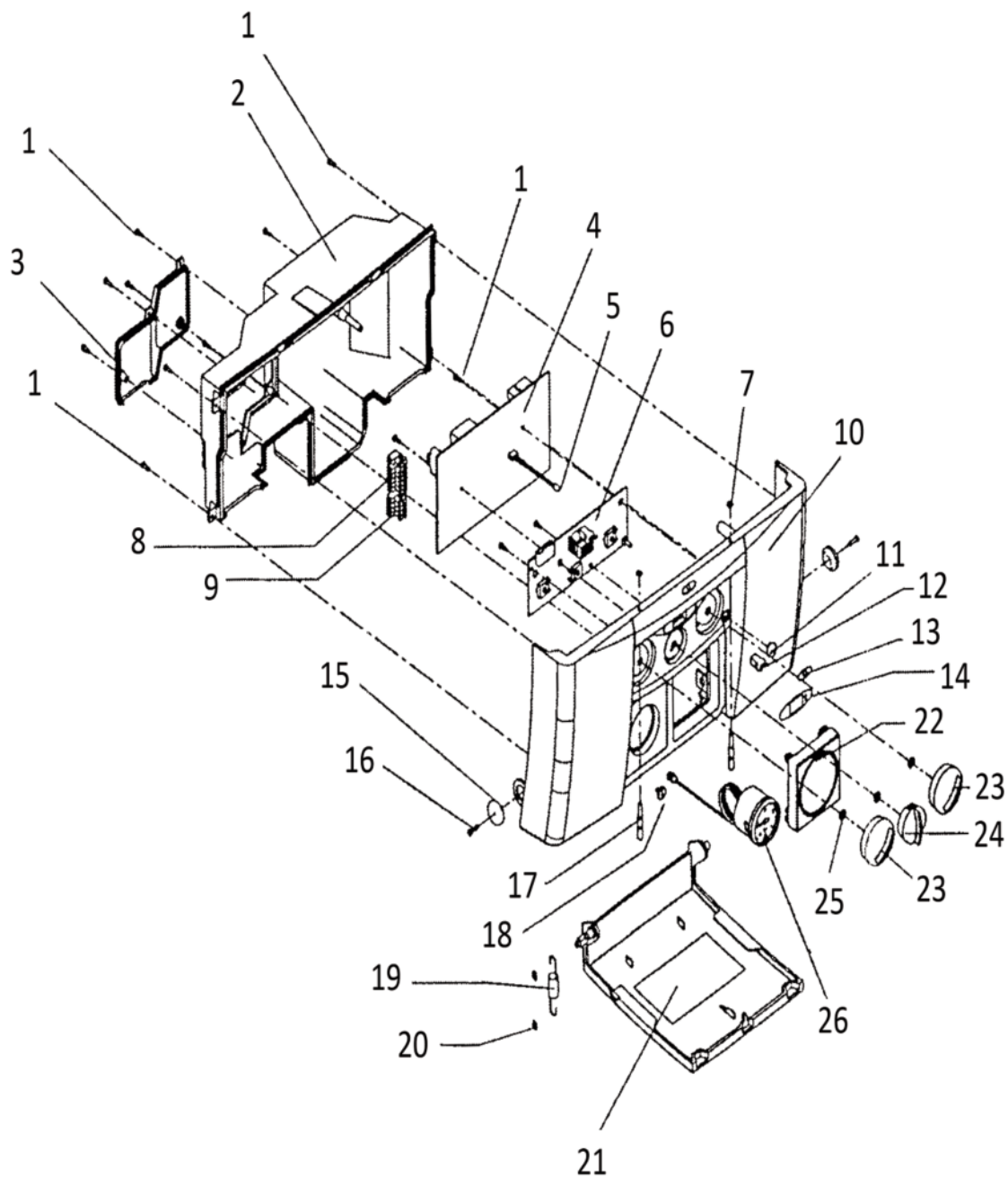
# Main Frame and Expansion Vessel



Position	Description	Part Number
1	SCREW 9MM LX4MM	5079
2	UPRIGHT FRAME R/H	1777
3	EXPANSION VESSEL PLATE	1910
4	UPRIGHT FRAME L/H	1778
5	CAP	2127
6	BRACKET	1933
7	EXPANSION VESSEL (INC PIPE)	1830
8	SCREW	5212

Position	Description	Part Number
9	DISTRIBUTION PANEL	1828
10	EDGE CLIP	5128
11	EXPANSION VESSEL PLATE	1829
12	RIVET	5093
13	BRACKET	1934
14	GUARD	1913
15	SCREW	5171
16	CABLE ENTRY	5371

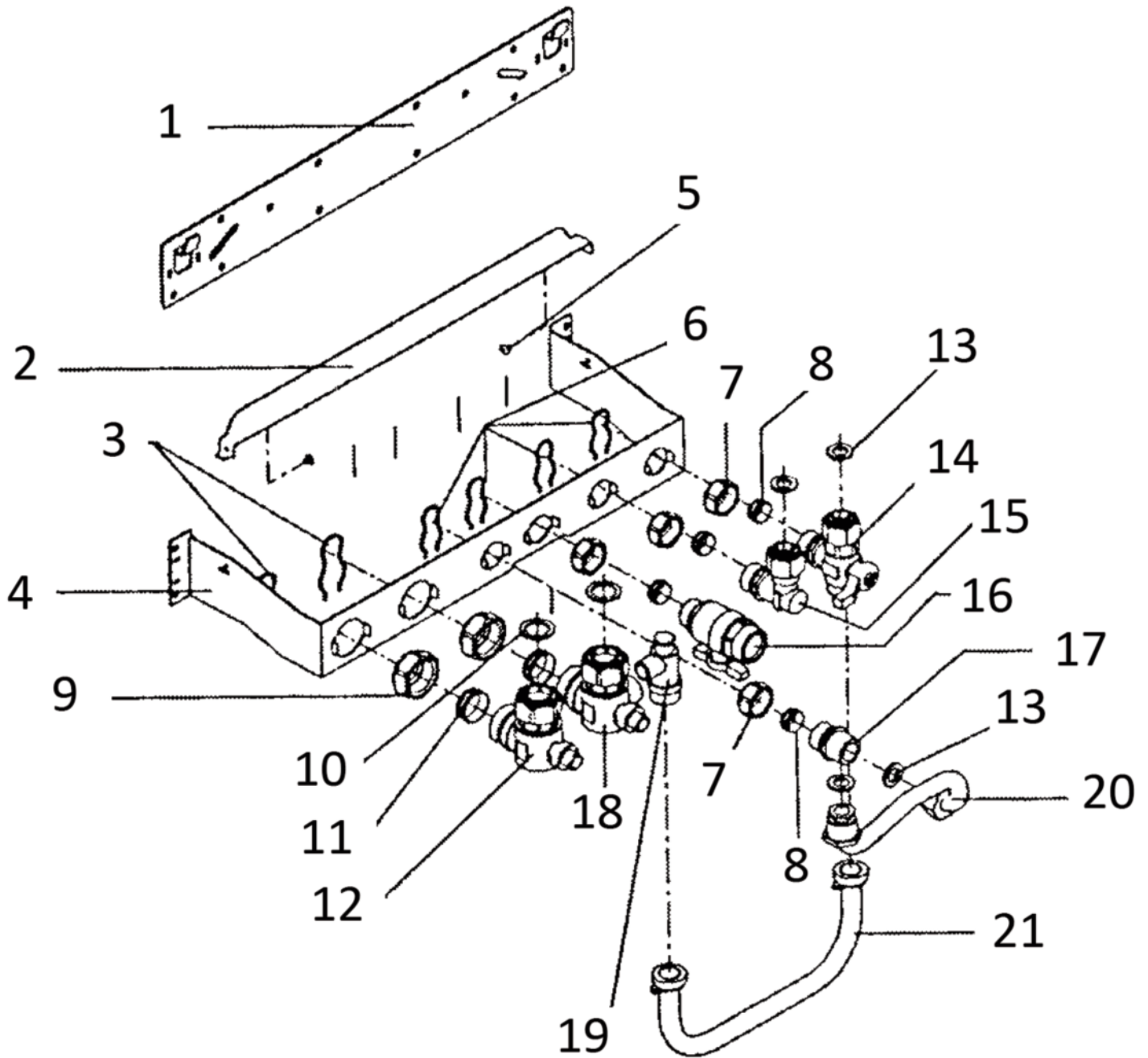
# Front Panel



Position	Description	Part Number
1	SCREW	5169
2	PCB COVER	10021849
3	COVER	1856
4	PRINTED CIRCUIT BOARD	10024528
5	GREEN / RED L.E.D.	1858
6	PRINTED CIRCUIT BOARD - DISPLAY	10024558
7	O-RING	1869
8	INTERNAL CLOCK WIRE	1780
9	TERMINAL BOARD	1895
10	INSTRUMENT PANEL	10022015
11	CAP	1861
12	CLIP	1864
13	ADHESIVE FILM	1866

Position	Description	Part Number
14	ADHESIVE FILM	1865
15	PIN	10023044
16	RIVET	5168
17	PIN FOR CONTROL PANEL	1867
18	CAPILLARY TUBE SECURING SCREW	6903
19	SPRING	1862
20	CIRCLIP	5174
21	DOOR PANEL	1852
22	CLOCK BLANKING PLATE	8654
23	TEMPERATURE CONTROL KNOB	1859
24	MODE SELECTOR KNOB	1860
25	O-RING	5224
26	PRESSURE GAUGE	1857

# Valves



Position	Description	Part Number
1	BOILER BRACKET	1817
2	CONNECTION	1785
3	CLIP	1820
4	PLATE - ISOLATION VALVES	1784
5	RIVET	5093
6	CLIP	1890
7	NUT	1823
8	OLIVE	1821
9	NUT	1824
10	3/4 INCH FIBRE WASHER	5023
11	OLIVE	1822

Position	Description	Part Number
12	HEATING VALVE	1789
13	1/2 INCH FIBRE WASHER	5026
14	WATER STOP COCK	1786
15	CONNECTION	1790
16	GAS COCK CONNECTION	1787
17	NIPPLE	1793
18	HEATING VALVE	1788
19	NON RETURN VALVE	1791
20	SAFETY VALVE OUTLET TAIL	10023643
21	FILLING LOOP PIPE	1794

# Hydraulic Assembly - Diagram

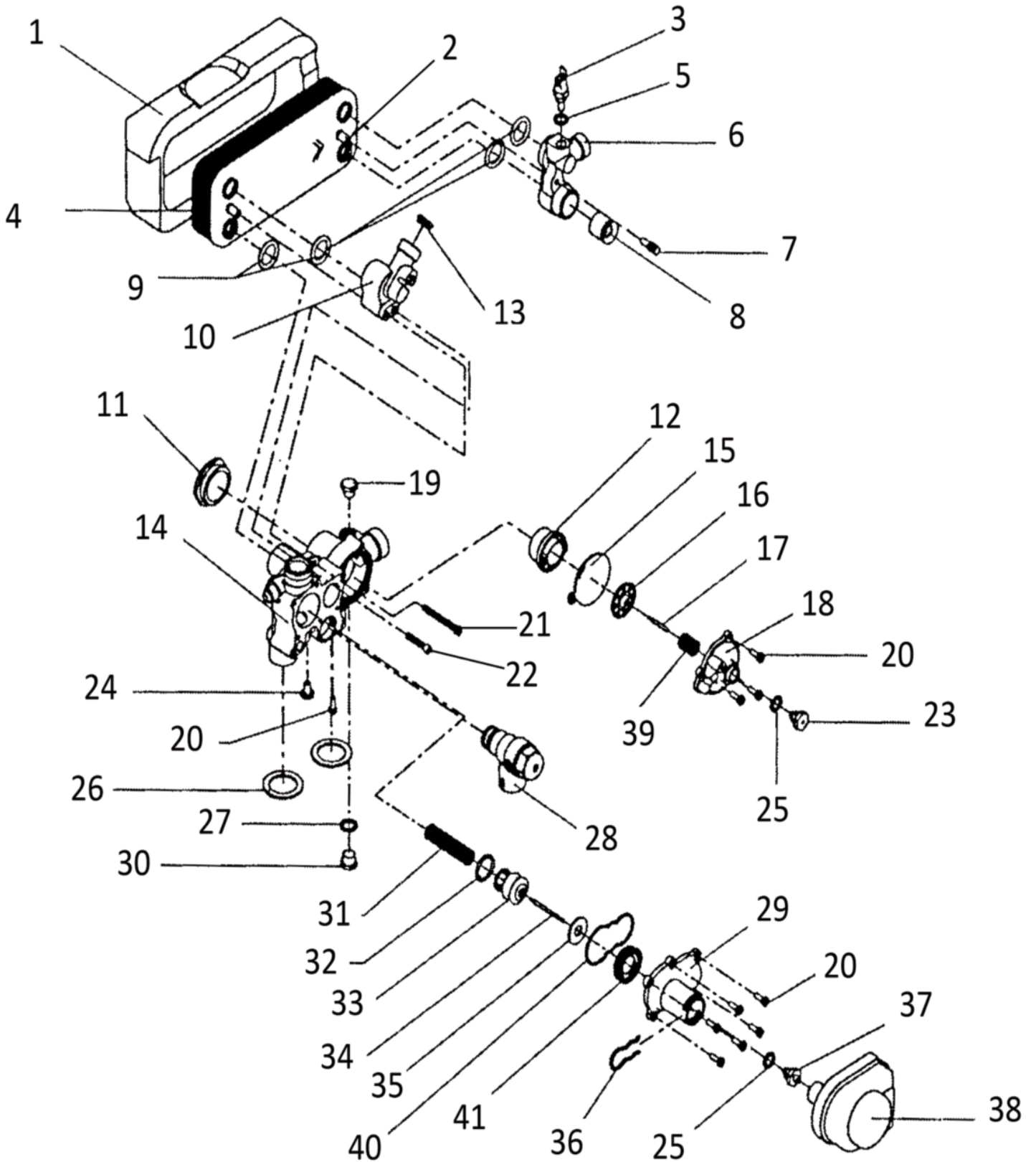
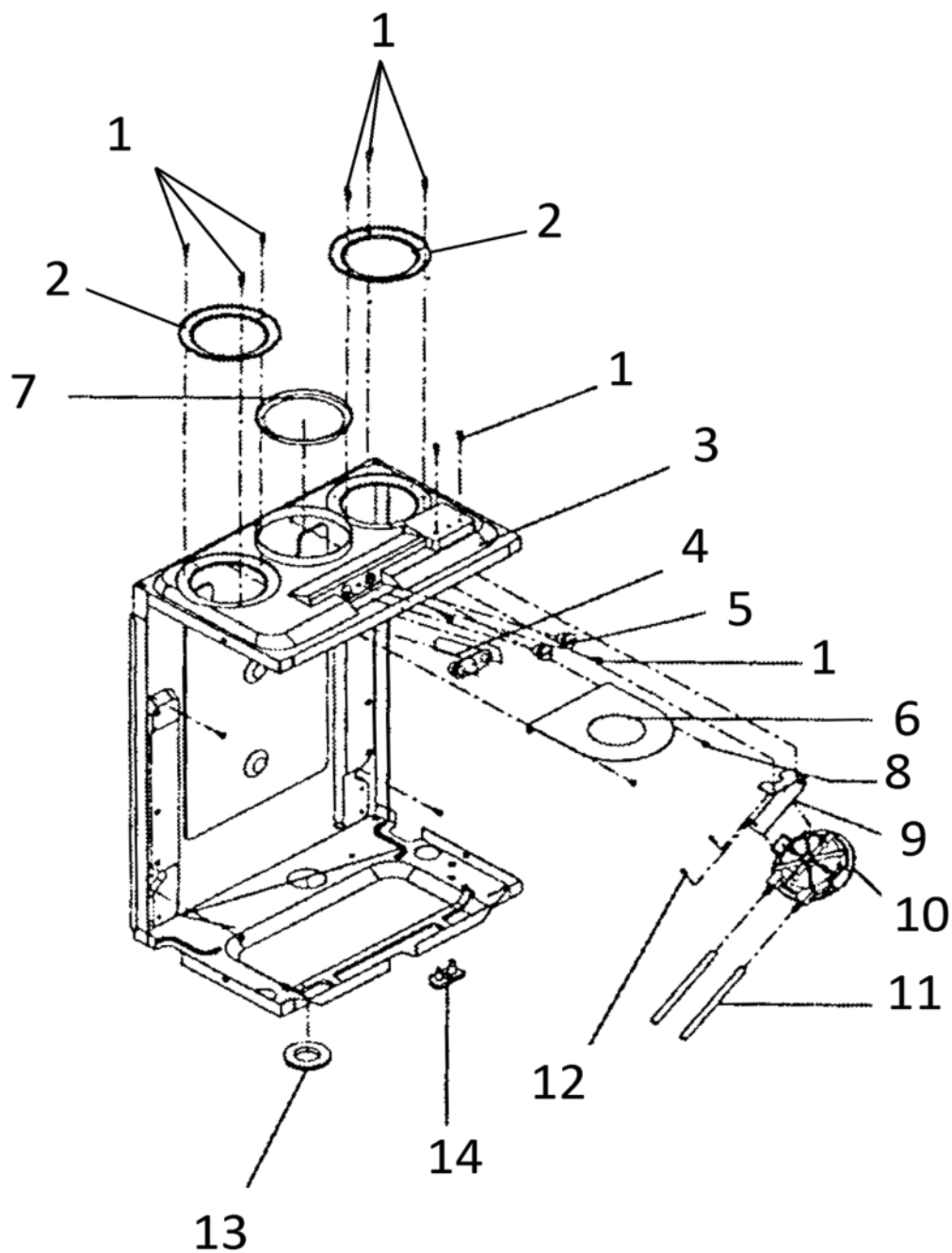


Table on next page

## Hydraulic Assembly - Table

Position	Description	Part Number
1	HEAT EXCHANGER JACKET	20007057
2	SCREW	1006
3	THERMISTER	10027352
4	DHW HEAT EXCHANGER	8037
5	ALUMINIUM WASHER	5041
6	CONNECTION	9807
7	SCREW	5235
8	NON RETURN VALVE	2908
9	O RING	7999
10	DHW INLET MANIFOLD	2903
11	PLUG	2911
12	VALVE FOR DHW BYPASS	2909
13	FLOW GOVERNOR (BLUE)	8009
14	DISTRIBUTION MANIFOLD	2915
15	FLOW DIAPHRAGM	6872
16	BEARER PLATE	6867
17	PUSH ROD	6888
18	FLOW MANIFOLD FRONT PLATE	6853
19	BLANKING PLUG HEATING MANIFOLD	4611
20	SCREW M4 X 12MM	5184
21	SCREW	5214
22	SCREW	5213
23	FRONT SEAL	6860
24	SECURING SCREW FOR MANIFOLDS	5124
25	ALUMINIUM WASHER	5041
26	WASHER FOR HTG MANIFOLD	5203
27	ALUMINIUM WASHER - SPECIAL	5042
28	SAFETY VALVE	1806
29	MANIFOLD TOP	10020335
30	BLANKING PLUG HEATING MANIFOLD	4612
31	3 PORT VALVE SPRING	6862
32	O-RING	6895
33	3 PORT VALVE BOBBIN & WASHER	2910
34	PUSH ROD	6887
35	BOBBIN SEATING WASHER	2913
36	MOTORIZED VALVE WRENCH	2906
37	FRONT SEAL	6919
38	MOTORIZED VALVE	2905
39	SPRING	6865
40	O-RING	8444
41	SEATING PLATE	7134

## Sealed Case

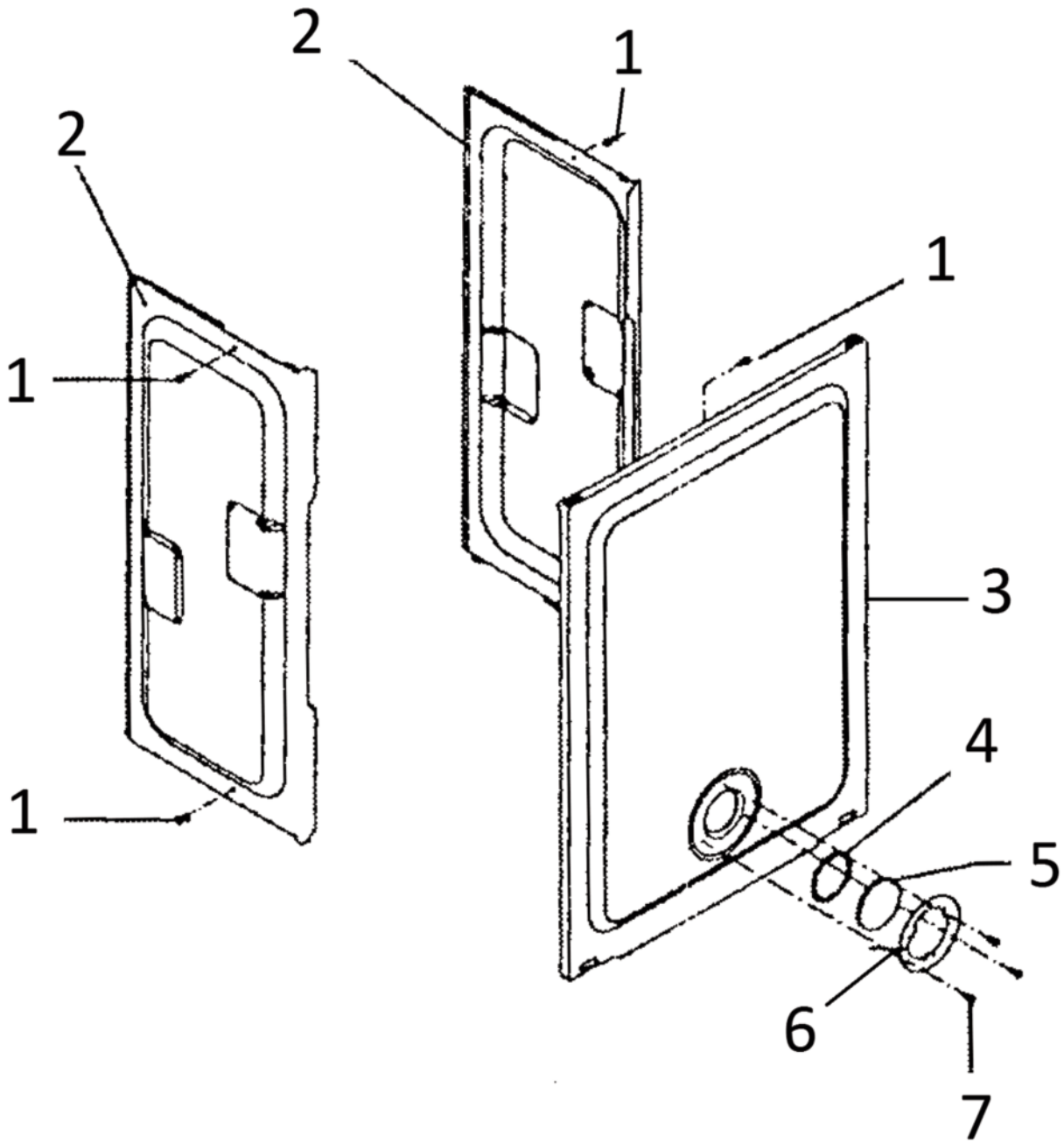


Position	Description	Part Number
1	SELF TAPPING SCREW 9MM X 4MM	5079
2	PLATE	8084
3	AIR CHAMBER BOTTOM	1912
4	COMBUSTION ANALYSIS CHECK	10026933
5	BOLT	8086
6	AIR DEFLECTOR	5923
7	AIR FLANGE	5922

Position	Description	Part Number
8	RIVET	5094
9	AIR PRESSURE SWITCH BRACKET	9805
10	PRESSURE SWITCH	01005272
11	SILICONE TUBE	1457
12	SELF THREADING SCREW 3.5MM X 9.5MM	5231
13	SEAL	5927
14	GROMMET	1835

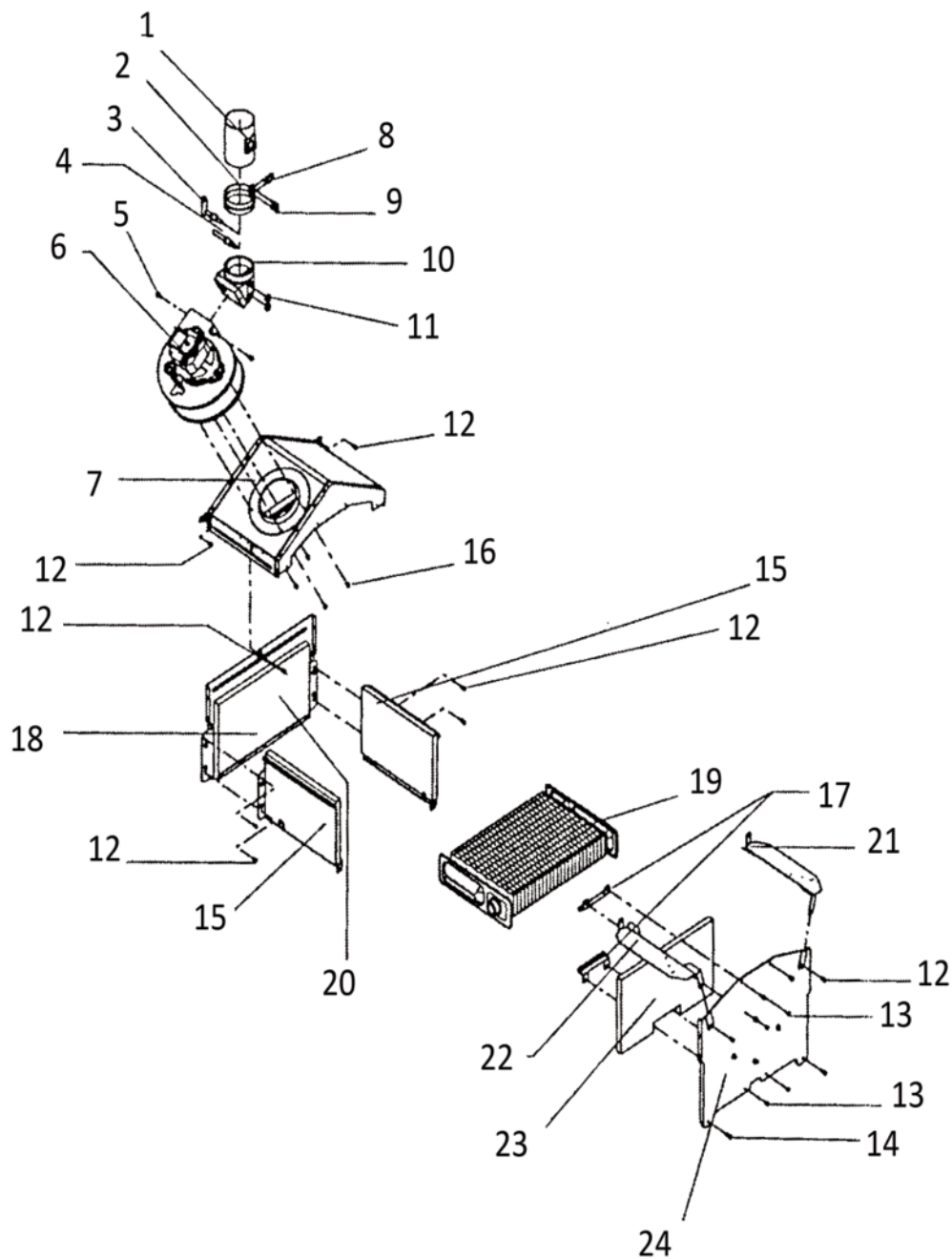


# Cover



Position	Description	Part Number	Position	Description	Part Number
1	SELF TAPPING HEX HEAD 3.9 X 10MM	5180	5	PILOT SIGHT GLASS	3139
2	AIR CHAMBER SIDE PANEL	1549	6	PILOT SIGHT GLASS RETAINING RING	4007
3	COVER ASSEMBLY	10020217	7	SELF TAPPING SCREW 9MM X 4MM	5079
4	FIBRE WASHER (PILOT SIGHT GLASS)	5072			

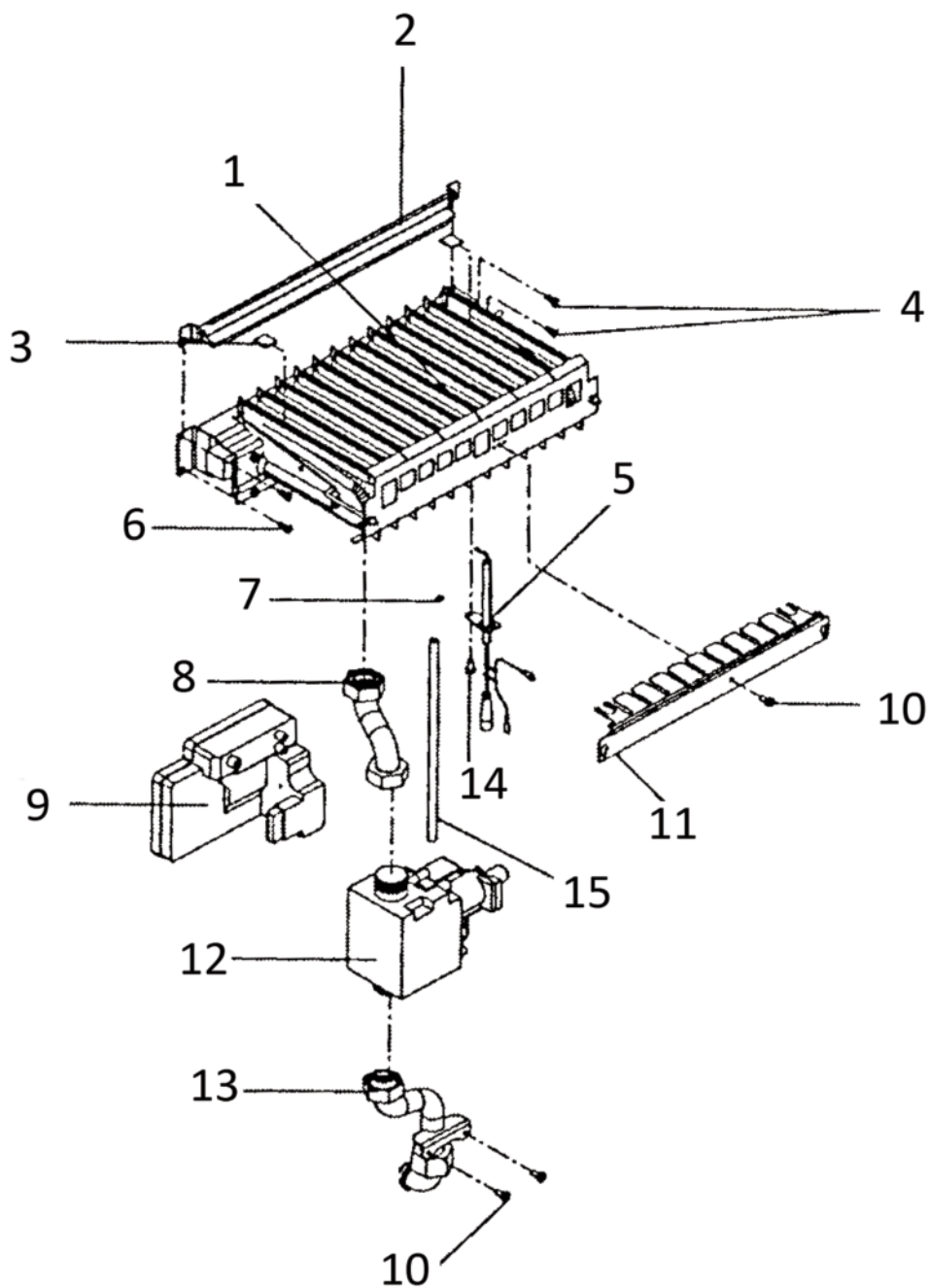
# Combustion Chamber



Position	Description	Part Number
1	FLUE TUBE	8083
2	SMALL MAINTENANCE CLIP (SILVER)	7315
3	VENTURI TUBE	7948
4	VENTURI	6985
5	MACHINE SCREW M4 X 10MM	5176
6	FAN ASSEMBLY	5911
7	HOOD ASSEMBLY	5907
8	SMALL SEAL	7317
9	SCREW L9MM L X 4MM	5081
10	FAN TO FLUE CONNECTOR	7280
11	LOCK NUT BSP	4807
12	SELF TAPPING SCREW 9MM LX4MM	5079

Position	Description	Part Number
13	RIVET	5093
14	SCREW 12.5MM L X4MM	5080
15	SIDE INSULATION PANEL	5271
16	SCREW 10MM L X4MM	5165
17	GAS VALVE SUPPORT	5279
18	REAR PANEL	5316
19	HEAT EXCHANGER	01005246
20	COMBUSTION CHAMBER	6028
21	AIR BAFFLE	5951
22	AIR BAFFLE	5951
23	FRONT PANEL	5315
24	COMBUSTION CHAMBER COVER	5909

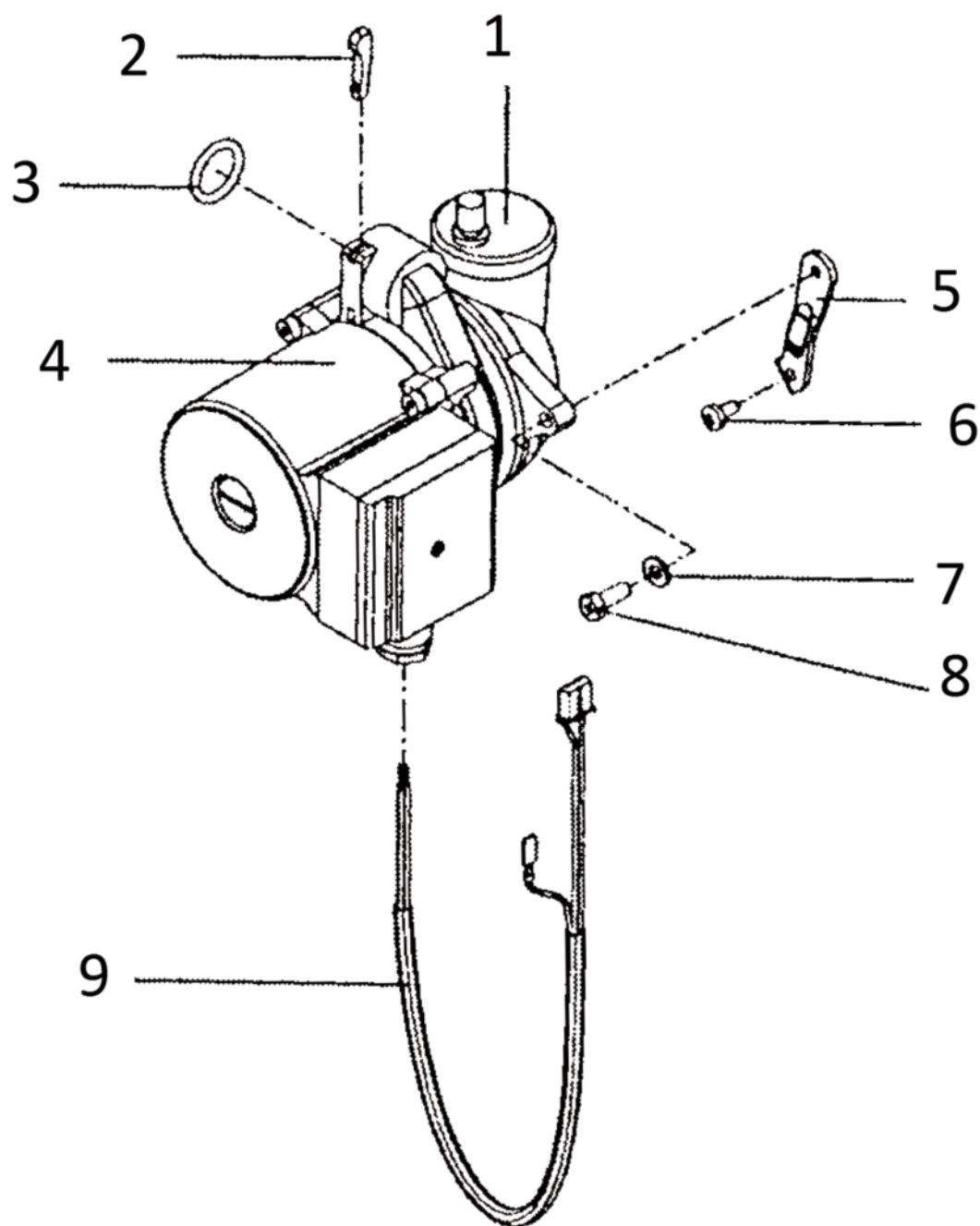
# Gas Assembly



Position	Description	Part Number
1	MAIN BURNER NG	5317
1	MAIN BURNER LPG	5319
2	BAFFLE	1453
3	BURNER PLATE	5172
4	SCREW	5212
5	SPARK ELECTRODE	1838
6	SCREW	5212
7	EDGE CLIP	5154

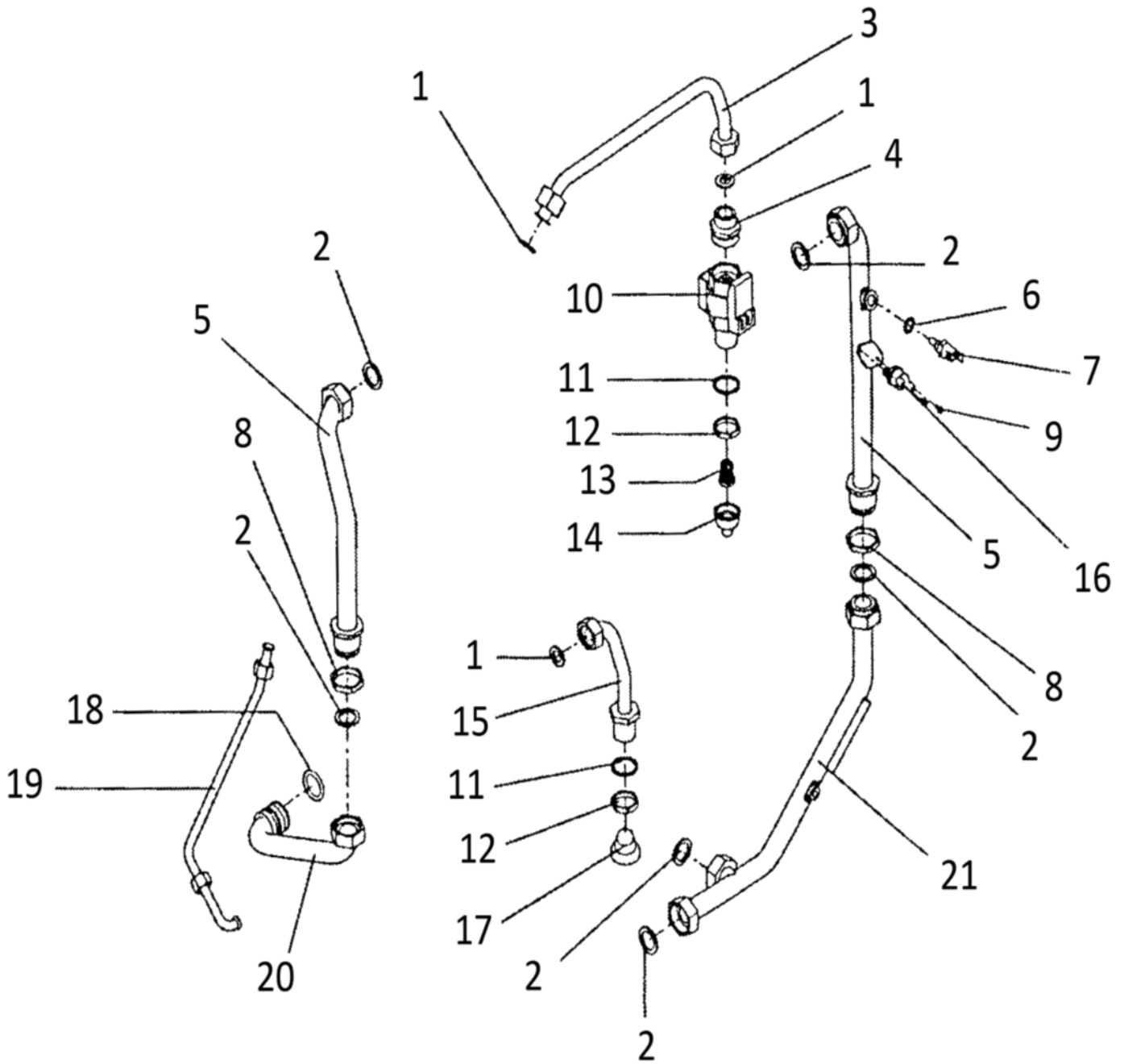
Position	Description	Part Number
8	GAS PIPE	1839
9	IGNITION BOARD	1837
10	MACHINE SCREW M4 X 10MM	5176
11	L.P.G BAFFLE	7724
12	GAS VALVE	20035533
13	PIPE	1840
14	SCREW	5169
15	SILICONE TUBE	1457

## Circulation Pump - Grundfos



Position	Description	Part Number	Position	Description	Part Number
1	AUTOMATIC AIR VENT BOTTLE	4254	6	MACHINE SCREW 10MM X 5MM	5092
2	PUMP LOCK KEY	9263	7	WASHER	5111
3	O-RING	6898	8	SCREW 16MM X M6	5228
4	PUMP	10021792	9	M15 TO PUMP WIRING	1845
5	BRACKET	2940			

# Connecting Pipes



Position	Description	Part Number
1	1/2 INCH FIBRE WASHER	5026
2	3/4 INCH FIBRE WASHER	5023
3	PIPE	1779
4	FLOW SWITCH CONNECTION	2946
5	PIPE	1847
6	ALUMINIUM WASHER	5041
7	THERMISTER	10027352
8	3/4 INCH BSP LOCKNUT	4026
9	SCREW TO ATTACH 4931 TO FLOW TUBE	5077
10	DOMESTIC FLOW SWITCH / FILTER	1488
11	WASHER	5208

Position	Description	Part Number
12	LOCKNUT 1/2" BSP BRASS	6208
13	WATER FILTER	1489
14	COVER	2966
15	PIPE	8460
16	HIGH LIMIT THERMOSTAT	2258
17	CAP	5471
18	O-RING	6898
19	EXPANSION VESSEL PIPE	1850
20	PUMP PIPE	1917
21	PIPE	1918