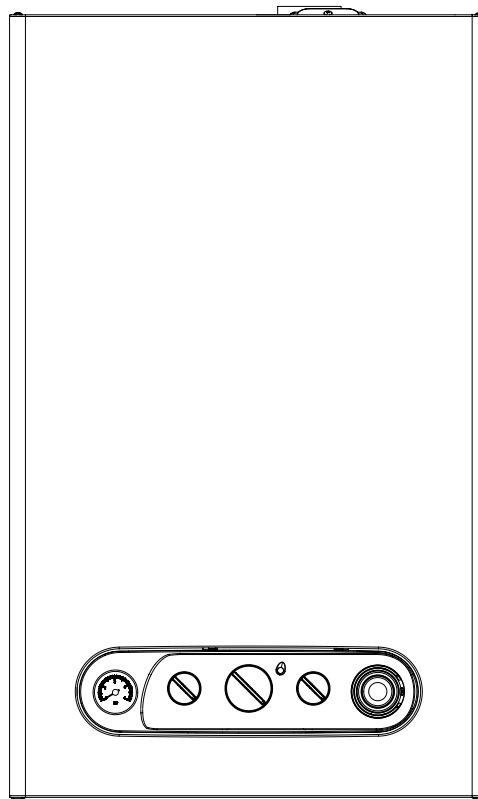
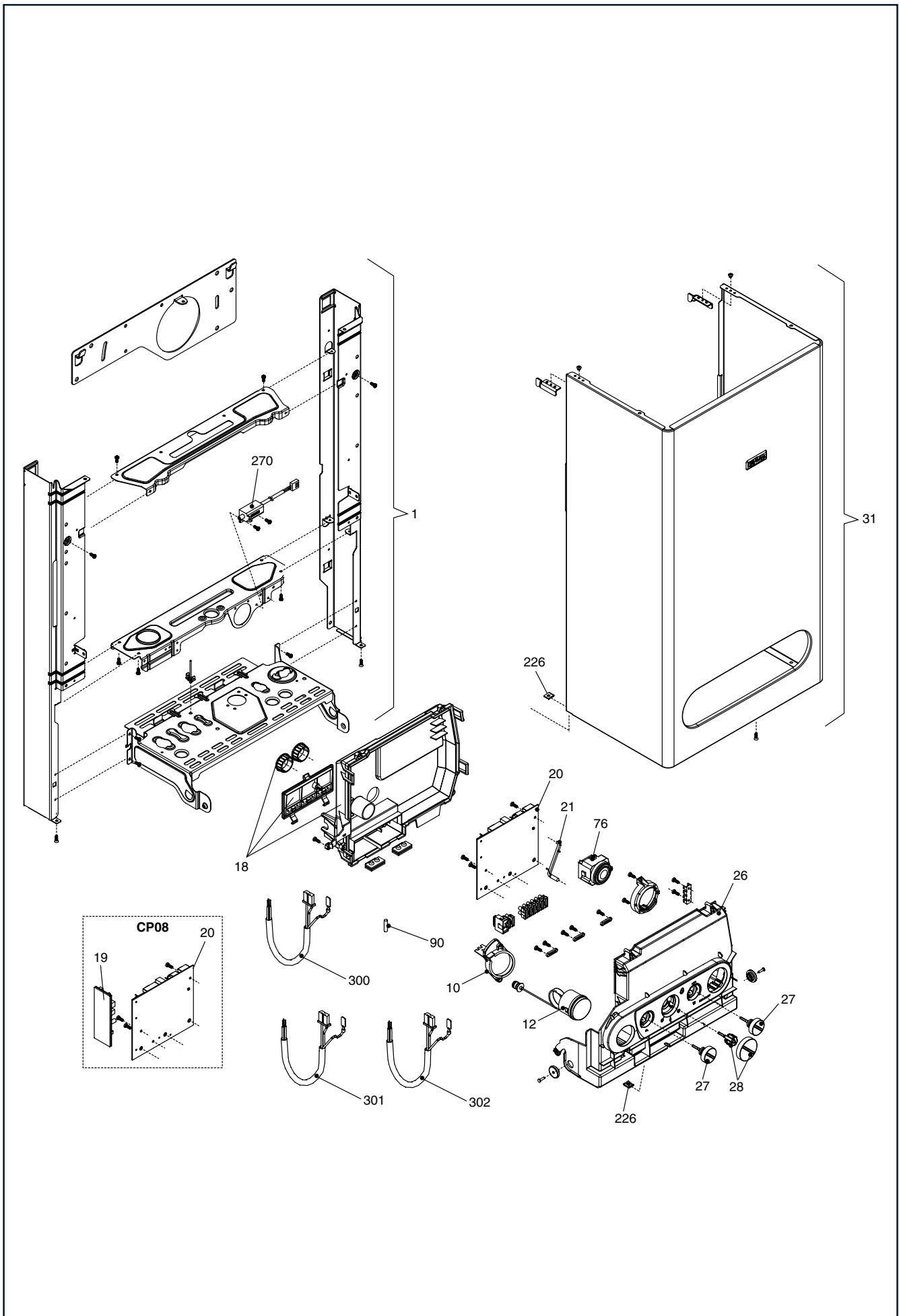


Wall hung boilers

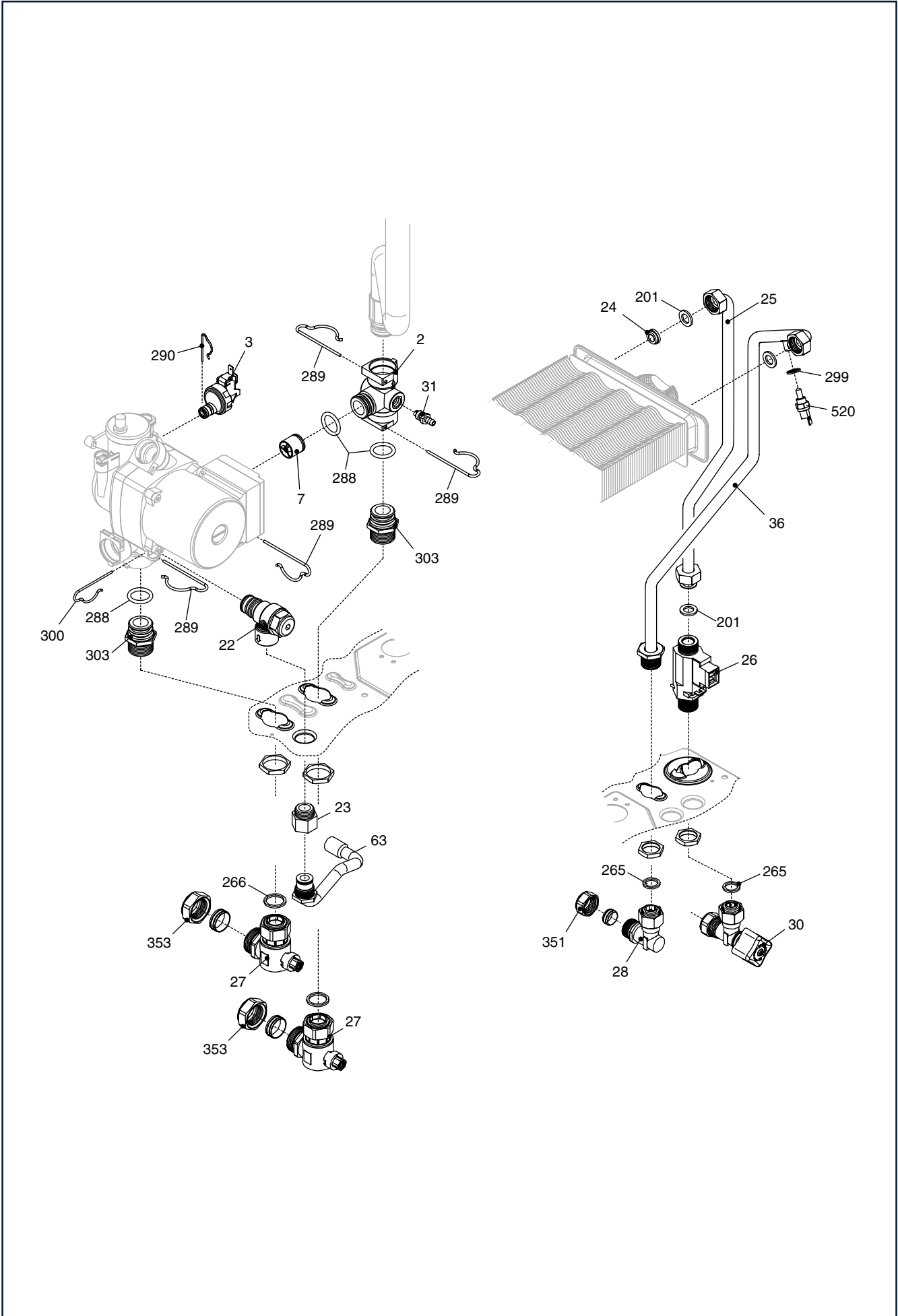
Compact



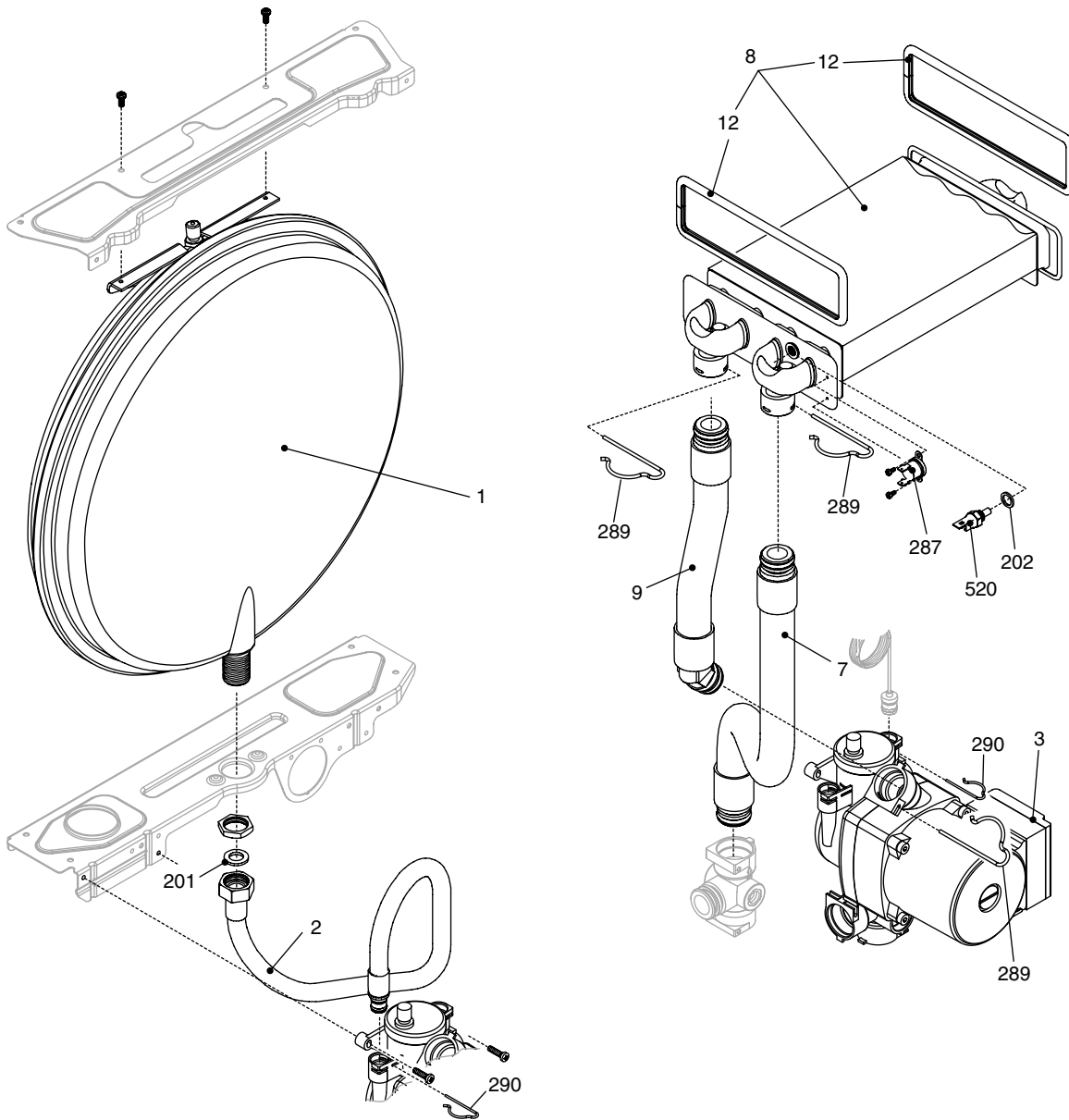
MODEL	PART NUMBER	
COMPACT 24 CSI	2350693 (806)	2350695 (807)
COMPACT 28 CSI	2350703 (808)	2350705 (809)



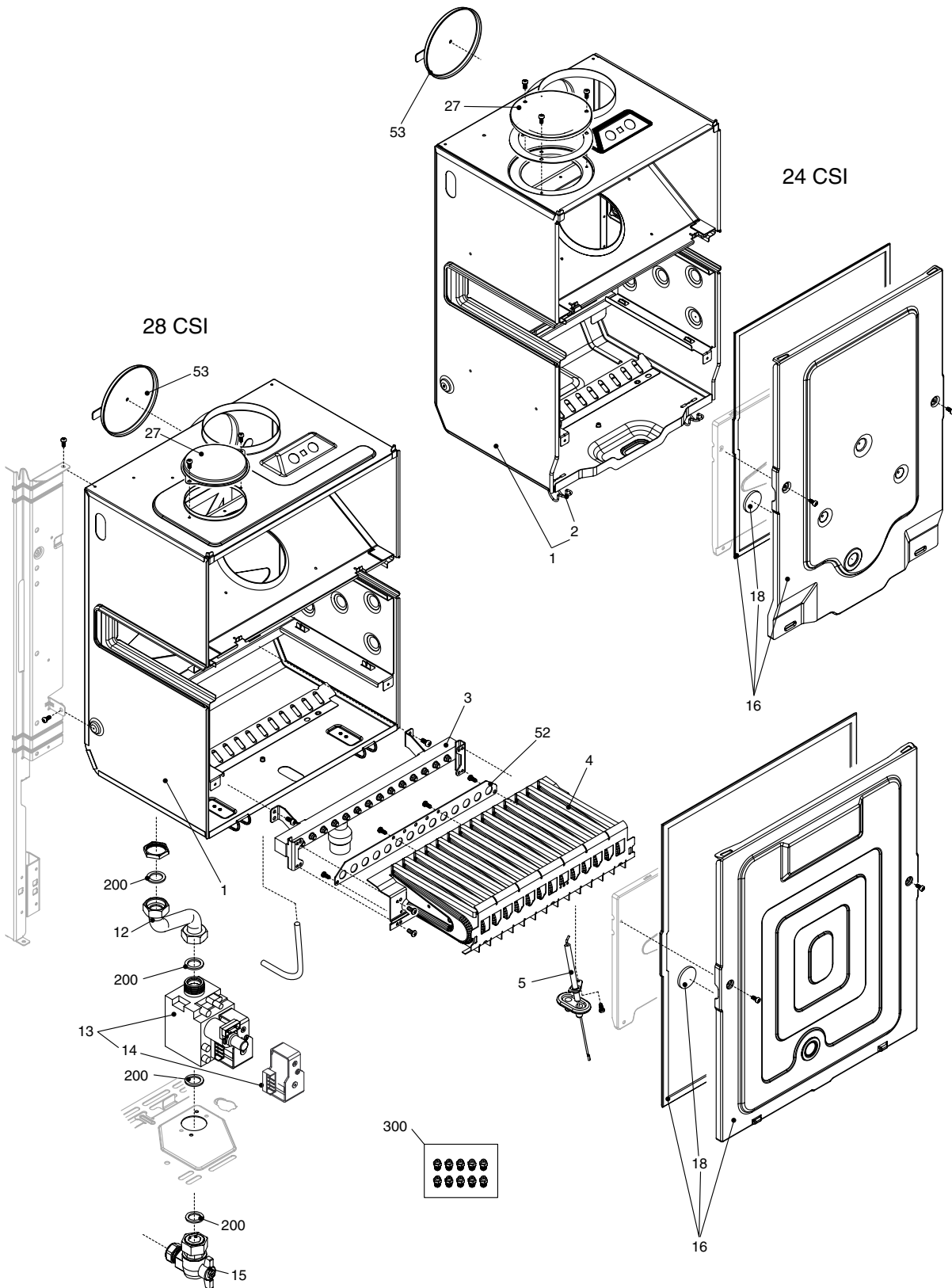
POS.	DESCRIPTION	24	28
1	Frame assembly	R01005259	R01005260
10	Water gauge carrier	R10029105	R10029105
12	Quick primer pressure gauge	R10029421	R10029421
18	Cover	R10024976	R10024976
19	Flame control ignition module	R10028890	R10028890
20	Printed circuit board (CP08)	R10023537	R10023537
20	Printed circuit board (CPBTR08)	R10030433	R10030433
21	Led Light Guide	R10023816	R10023816
26	Instrumental panel	20001126	20001126
27	Knob	R10023937	R10023937
28	Knob	R10023936	R10023936
31	Case	R10023822	R10023883
76	Timer	R10028496	R10028496
90	3 A fuse	R3478	R3478
226	Edge clip	R5128	R5128
270	Transformer	R10021272	R10021272
300	Wiring harness	R10023939	R10023939
301	Wiring harness	R10023840	R10023840
302	Wiring harness	R10023940	R10023940



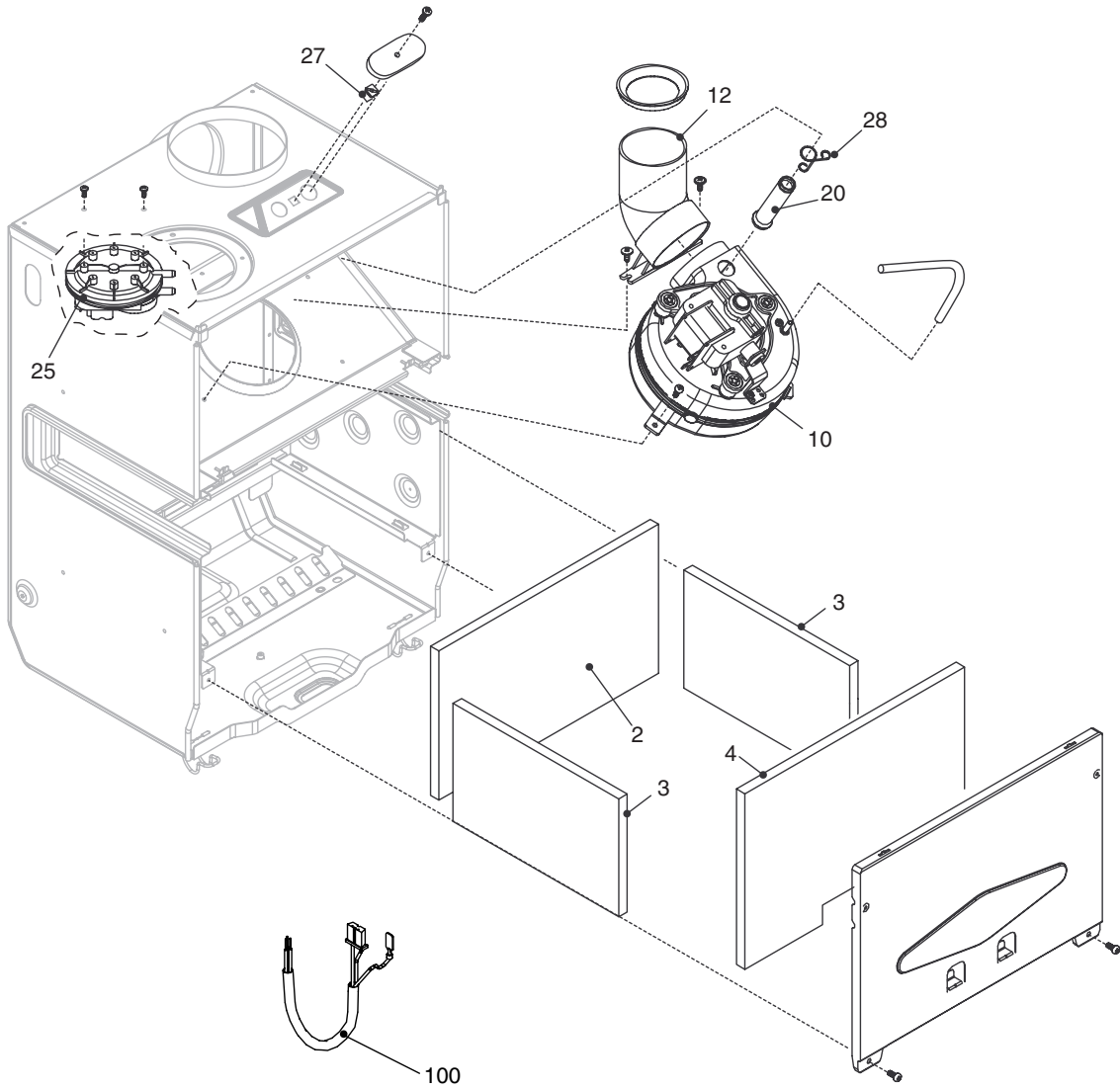
POS.	DESCRIPTION	24	28
2	Connection	R10022658	R10022658
3	Pressure switch	R10028141	R10028141
7	By-pass valve	R2047	R2047
22	Safety valve	R1806	R2907
23	Connection	R10022499	R10022499
24	Flow governor	R10024987	R10025080
25	Pipe	R10020714	R10023950
26	DHW actuator	R10022349	R10022349
27	Heating cock	R1789	R1789
28	Connection	R1790	R1790
30	Water supplu stop cock	R7099	R7099
31	Venting plugs kit	R01005137	R01005137
36	Pipe	R10020612	R10023949
63	Pipe	R10020898	R10020898
124	Flow governor	R1466	R1466
201	Washer	R5026	R5026
265	Washer	R5236	R5236
266	Washer	R5237	R5237
288	O ring	R6898	R6898
289	Clip	R2223	R2223
290	Clip	R2165	R2165
299	Washer	R10022726	R10022726
300	Clip	R2222	R2222
303	Connection	R2217	R2217
351	Brass nut	R1823	R1823
353	Ogive	R1824	R1824
520	NTC sensor	R10027352	R10027352



POS.	DESCRIPTION	24	28
1	Expansion vessel	R2204	R2204
2	Flexible pipe	R10023603	R10023603
3	Pump	20001873	20001873
7	Pipe	R10022000	R10023947
8	Heat exchanger	R10021419	R10023661
9	Pipe	R10022002	R10023948
12	Washer	R2226	R2226
201	Washer	R5026	R5026
287	High limit thermostat	R2258	R2258
289	Clip	R2223	R2223
290	Clip	R2165	R2165
299	Washer	R10022726	R10022726
520	NTC Sensor	R10027352	R10027352



POS.	DESCRIPTION	24	28
1	Roomsealed chamber	10023931	R10023945
2	Clip	R0442	-
3	Main burner injector manifold	R10025271	R10023902
4	Burner	R10025270	R10023901
5	Spark electrode	R10025985	R10025985
12	Pipe	R10023996	R10023996
13	Gas valve	R10025074	R10025074
15	Gas cock	R10020897	R10020897
16	Cover assembly	R10024779	R10023928
18	Glass	R10021558	R10021558
27	Air box hole cap	R8084	R10023805
52	Burner flange	R10024718	R10023997
53	Hole cover	R2233	R2233
200	Washer	R5023	R5023
300	LPG conversion kit	R01005262	R01005262



POS.	DESCRIPTION	24	28
2	Back insulating panel	R2230	R10023909
3	Lateral insulating panel	R2231	R2231
4	Front insulating panel	R2232	R10023910
10	Fan	R10020793	R10023907
12	Connection	R2237	R2237
20	Fumes testing connection pipe	R10020627	R10020627
25	Pressure diff. switch	R01005272	R01005272
27	Nut screw	R10020625	R10020625
28	Stop clip	R10020626	R10020626
100	Wiring harnes	R10024157	R10024067

REV.	DATA	DESCRIZIONE
1.0	14/07/05	Modifiche varie
2.0	23/02/06	Modifiche varie
3.0	08/03/07	Modifiche varie
4.0	25/09/07	Modifiche varie
5.0	27/11/07	Gestione doppia scheda
6.0	19/02/08	E00120080039 : Circolatore
7.0	08/04/08	E00120070122 : Cruscotto, idrometro



Vokera reserve the right to change the specifications without prior notice.
Consumers' statutory rights are not affected.