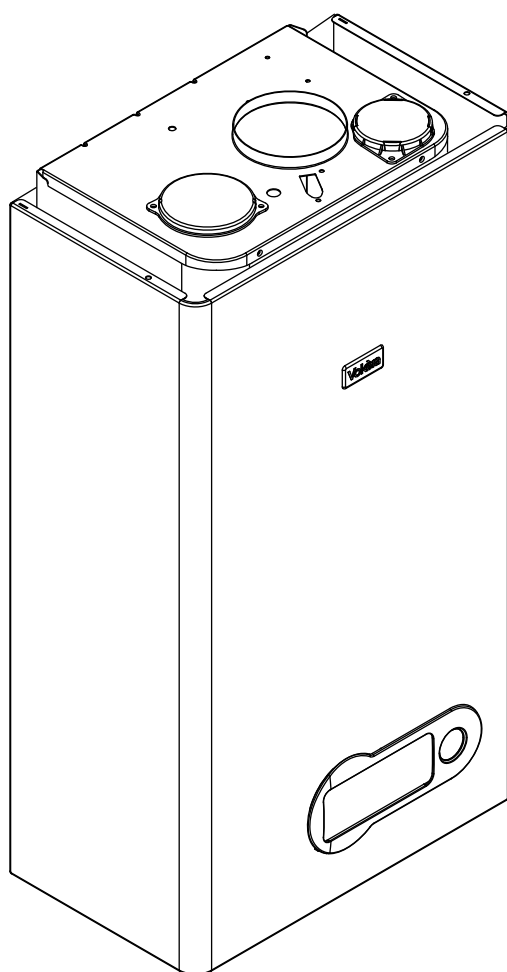
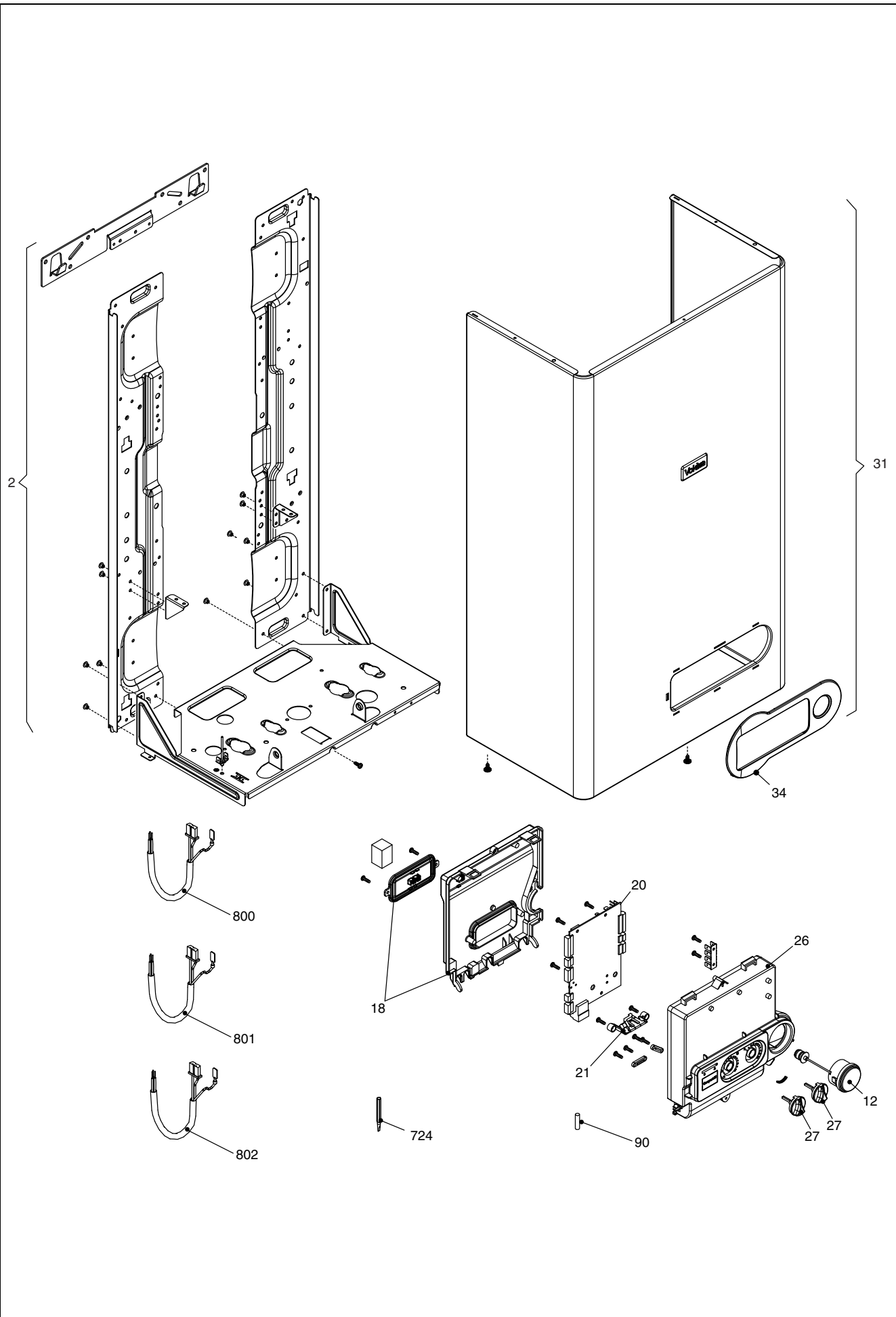


**Wall hung boilers**

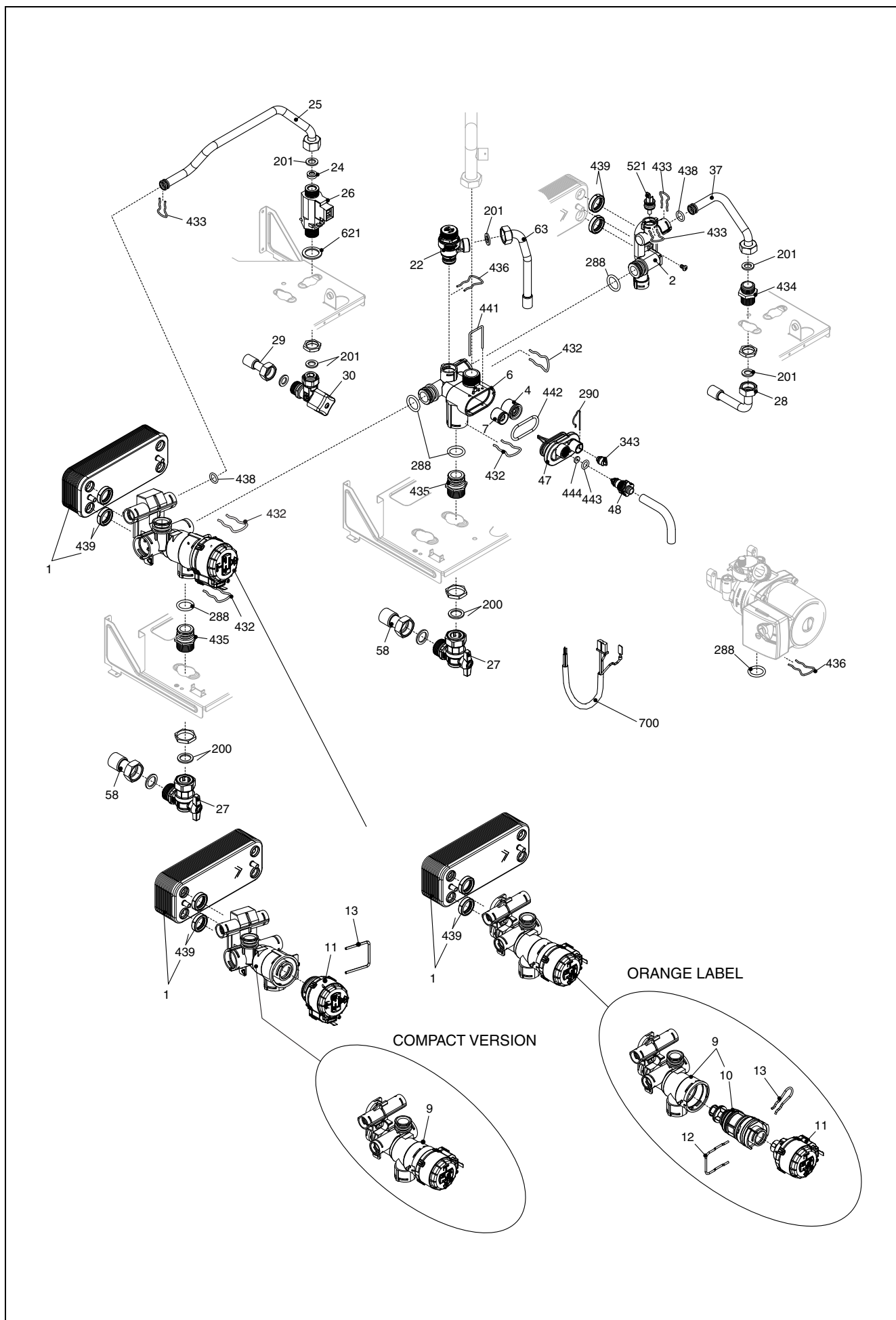
**Compact 25**



MODEL	PART NUMBER	
	MTN	GPL
Compact 25	20020831	-



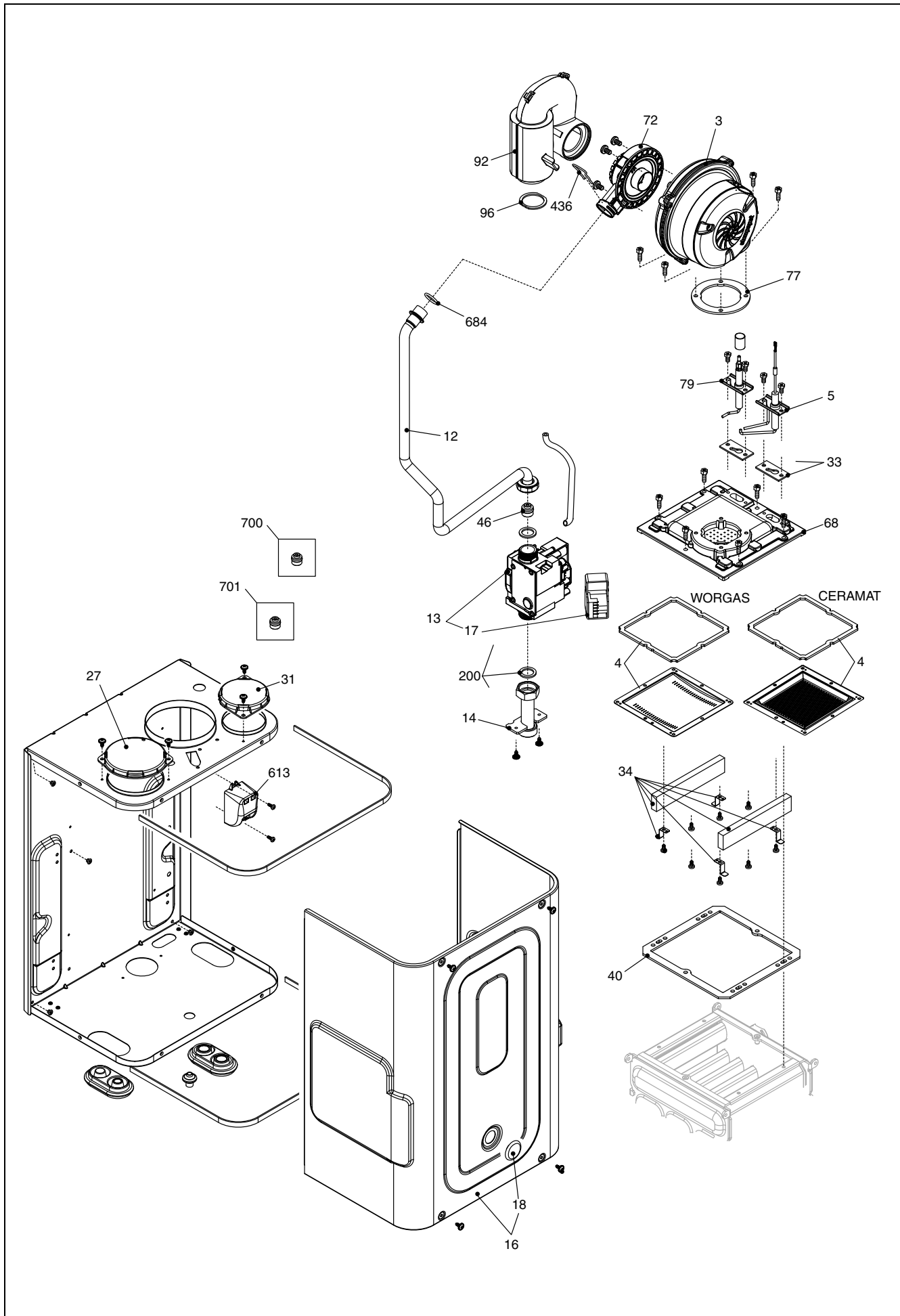
POS.	DESCRIPTION	25
2	Frame assembly	20049618
12	Quick primer pressure gauge	20005580
18	Control panel cover	20026055
20	Printed circuit board	20025735
21	led light guide	20013352
26	Instrumental panel	20026048
27	Knob	20014025
31	Case Assembly	20048322
34	Fixing flange	20026728
90	Fuse	R3478
724	Nut screw	R2455
800	Power wiring harness	20035405
801	Low tension cable	20025734
802	Cable	R1547



POS.	DESCRIPTION	25
1	Exchanger	R8036
2	Connection	R10030114
4	Non return valve	R10025056
6	By-pass casing	R10024641
7	Heating by-pass valve	R1552
9	3-way heating manifold and cartridge (compact version)	20034037
9	3-way heating manifold and cartridge (Orange label)	R10026508
10	Cartridge (Compact version)	20034037
10	Cartridge (Orange label)	R10025305
11	Actuator (Compact version)	20017594
11	Actuator (Orange label)	20024841
12	Clip	R10025450
13	Clip (Compact version)	20017598
13	Clip (Orange label)	R10025449
22	Safety valve	20043820
24	Flow governor	R10026043
25	Pipe	20011423
26	Dhw actuator	R10022349
27	3/4" heat water cock	R1592
28	Pipe	20025758
29	Pipe	20025756
30	Water supply stop cock	R1888
37	Pipe	R10025840
47	Cover for by-pass assembly	R10024643
48	Cock	R10024646
58	Pipe	20025757
63	Pipe	20025755
200	Washer	R5023
201	Washer	R5026
288	Ring	R6898
290	Clip	R2165
343	Pump plug	R2216
432	Clip	R10024958
433	Clip	R10024986
434	Nipple	R10024985
435	Fitting/union	R10025059
436	Clip	R10025062
438	O ring	R10024988
439	Washer	R10025067
441	Clip	R10025063
442	O ring	R10025065
443	O ring	R10025064
444	Washer	R10025066
521	NTC sensor	R10027351
621	Washer	R5038
700	Hydraulic control cable	20017596

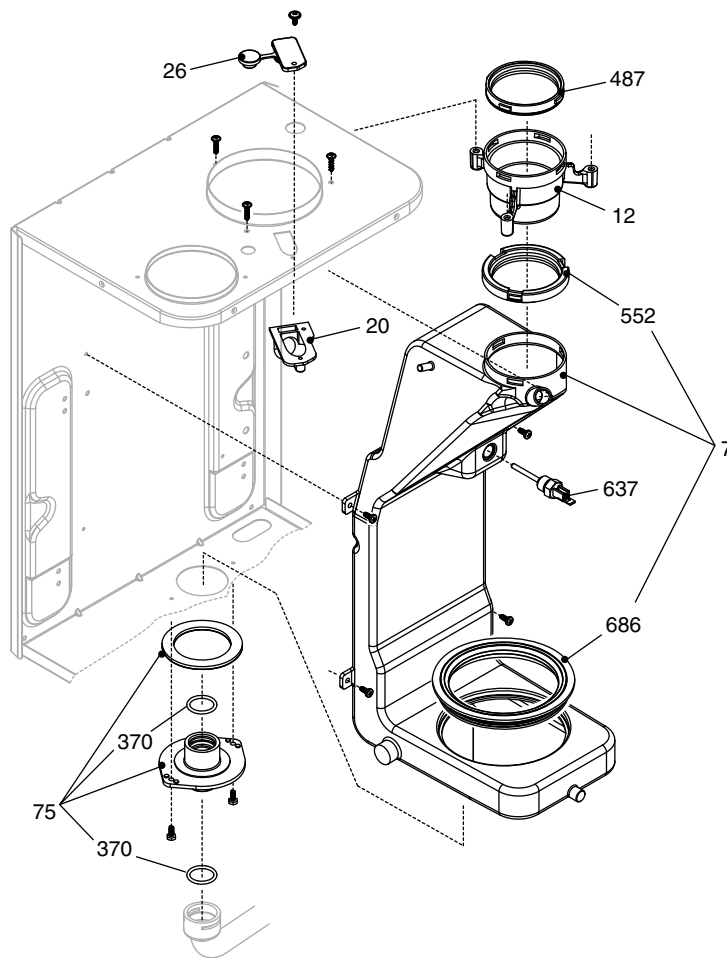


POS.	DESCRIPTION	25
1	Expansion vessel	20029826
2	Pipe	R10028603
3	Pump	20039926
4	Air vent bottle	R10025485
7	Pipe	20025763
8	Heat hexchanger assembly	20039923
9	Pipe	20025764
10	Pipe	20025744
17	Air vent valve	20019768
25	Siphon	20025733
27	Pipe	20025743
34	Degasser kit	20019888
60	Racord	20039953
66	Flexible pipe	R10027545
71	Pipe	20025746
72	Vent plug	R10023235
73	Cock	R10028431
88	Racord	20039954
200	Washer	R5023
288	Ring	R6898
290	Clip	R2165
302	Washer	R5025
370	O ring	R10023533
371	Clip	R10023532
432	Clip	R10024958
619	Pressure	20003181
624	Clip	R5472
625	High limit thermostat	20005585
633	Water detector	20003819
668	Clip	20019767





POS.	DESCRIPTION	25
3	Fan	20002995
4	Burner assembly (Worgas)	20044896
4	Burner assembly (Cerammat)	20044892
5	Ignition electrode	20025737
12	Pipe	20025745
13	Gas valve	20039202
14	Gas pipe	20005553
15	3/4" gas cock	R2266
16	Combustion chamber cover	20005594
17	Gas valve solenoid	20040675
18	Plug	20005550
27	Hole cover	20005586
31	Hole cover	20049606
33	Seal ignition electrode	20025740
34	Insulator panel assembly	20044890
40	Washer	20044894
46	Gas diaphragm (Worgas)	R10023451
46	Gas diaphragm (Cerammat)	R2353
58	Pipe	20025757
68	Burner cover	20044895
72	Mixer	20025761
77	Washer	20025753
79	Electrode	20043523
92	Suction pipe	20025760
96	Diaphragm (Worgas)	20041473
96	Diaphragm (Cerammat)	20041058
200	Washer	R5023
436	Clip	R10025062
613	Ignition transformer	20001563
700	Ng conversion kit (Worgas burner)	20029043
700	Ng conversion kit (Cerammat burner)	20045568
701	Lpg conversion kit (Cerammat burner)	20045569



POS.	DESCRIPTION	25
7	Conveyor	20026060
12	Flue drain connection	R10028421
20	Outlet nut	20026049
26	Plug	20026058
75	Flue collector	20026056
370	O ring	R10023533
487	Washer Ø 60	R10026345
552	Washer Ø 60	R10028426
637	Flue sensor	20007050
686	Washer	20026059
700	Combustion cable	20025736

Rev.	data	Descrizione
1.0	27/09/2010	E00120100244 : valvola by-pass - E00120100427 : vaso espansione
2.0	07/02/2011	E00120110013 : cablaggio programmatore E00120110042 : cablaggio alimentazione
3.0	09/09/2011	E00120110278 : valvola gas , gruppo idraulico tre vie E00120110357 : scambiatore , raccordi , by-pass circolatore , circolatore E00120110367 : coperchio ispezione parti elettriche , cacciavite E00120110373 : mensola telaio - E00120110498 : rivetto messa a terra E00120110317 : nuova bobina valvola gas
4.0	29/11/2011	E00120110688 : aggiornamento combustione E00120110577 : pannelli fonoassorbenti tolta la caldaia 20020832 gestita con nuova pubblicazione E615
5.0	29/03/2012	E00120120083 : valvola sicurezza 3 bar – E00120100017 : revisione estetica
6.0	12/06/2012	E00120120121 : bruciatore Ceramat
7.0	10/10/2012	E00120120434 : miglioramento strutturale
8.0	20/02/2013	E00120120796 : coperchio scatola aria – E00120120819 : fondo scatola aria E00120130138 : manopola comando




---

Vokera reserve the right to change the specifications without prior notice.  
Consumers' statutory rights are not affected.