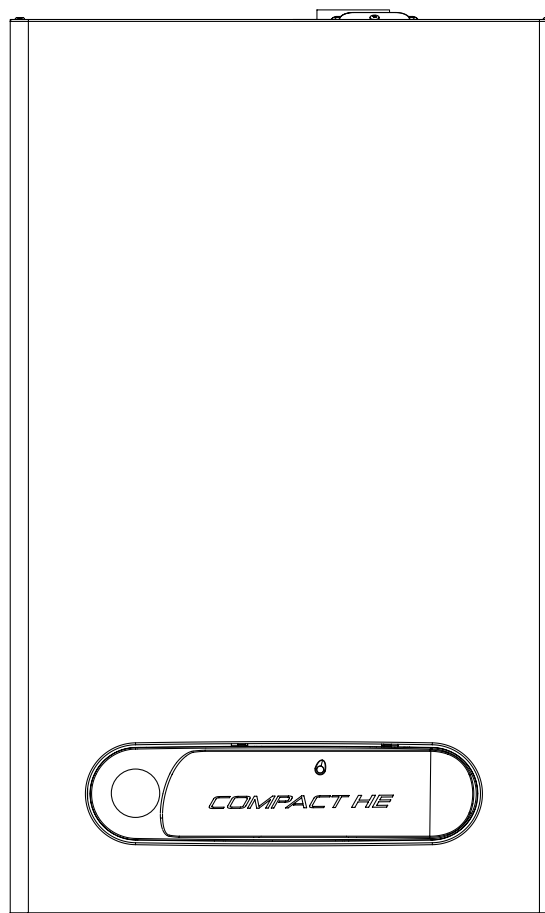
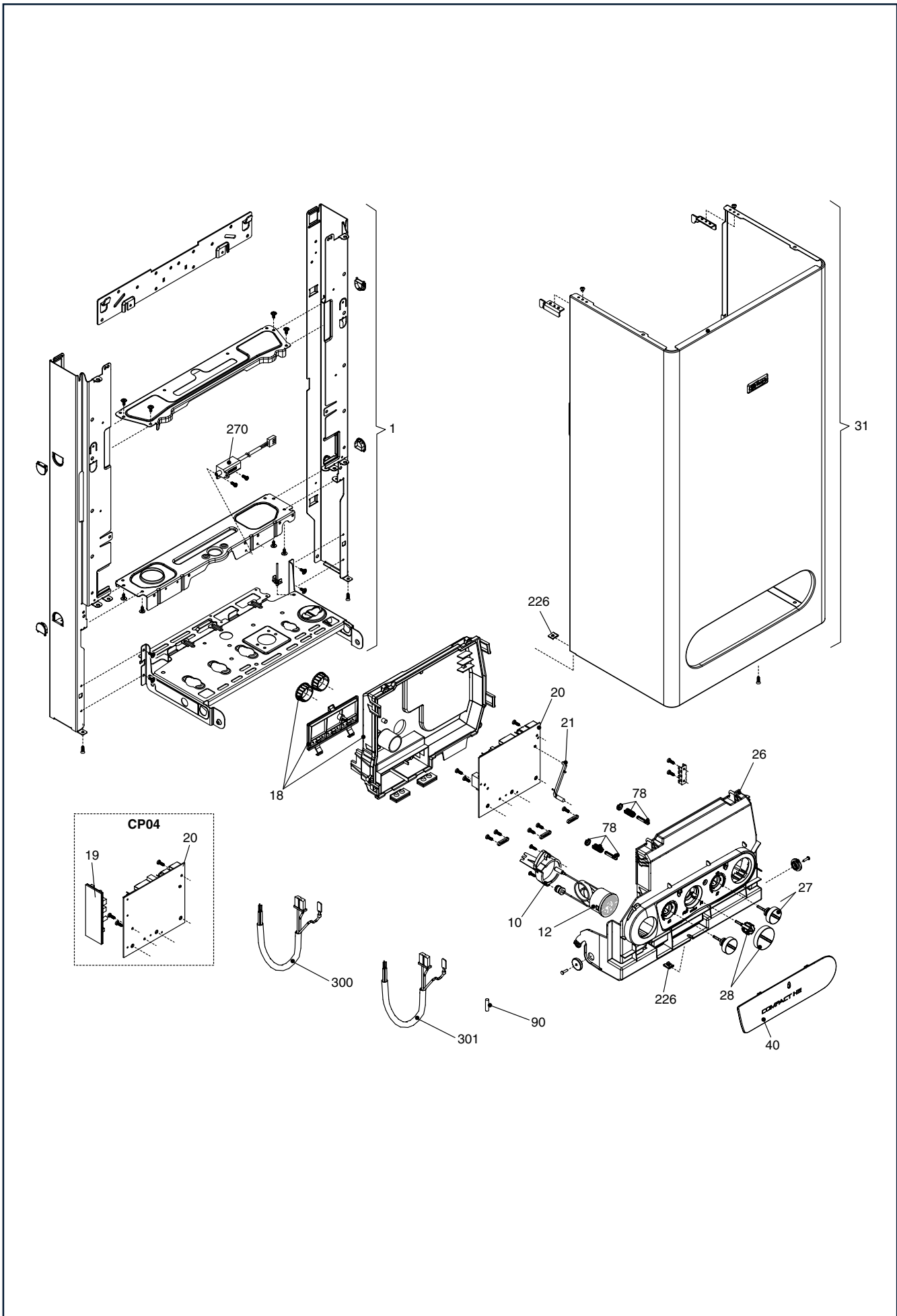


Wall hung boilers

# Compact HE



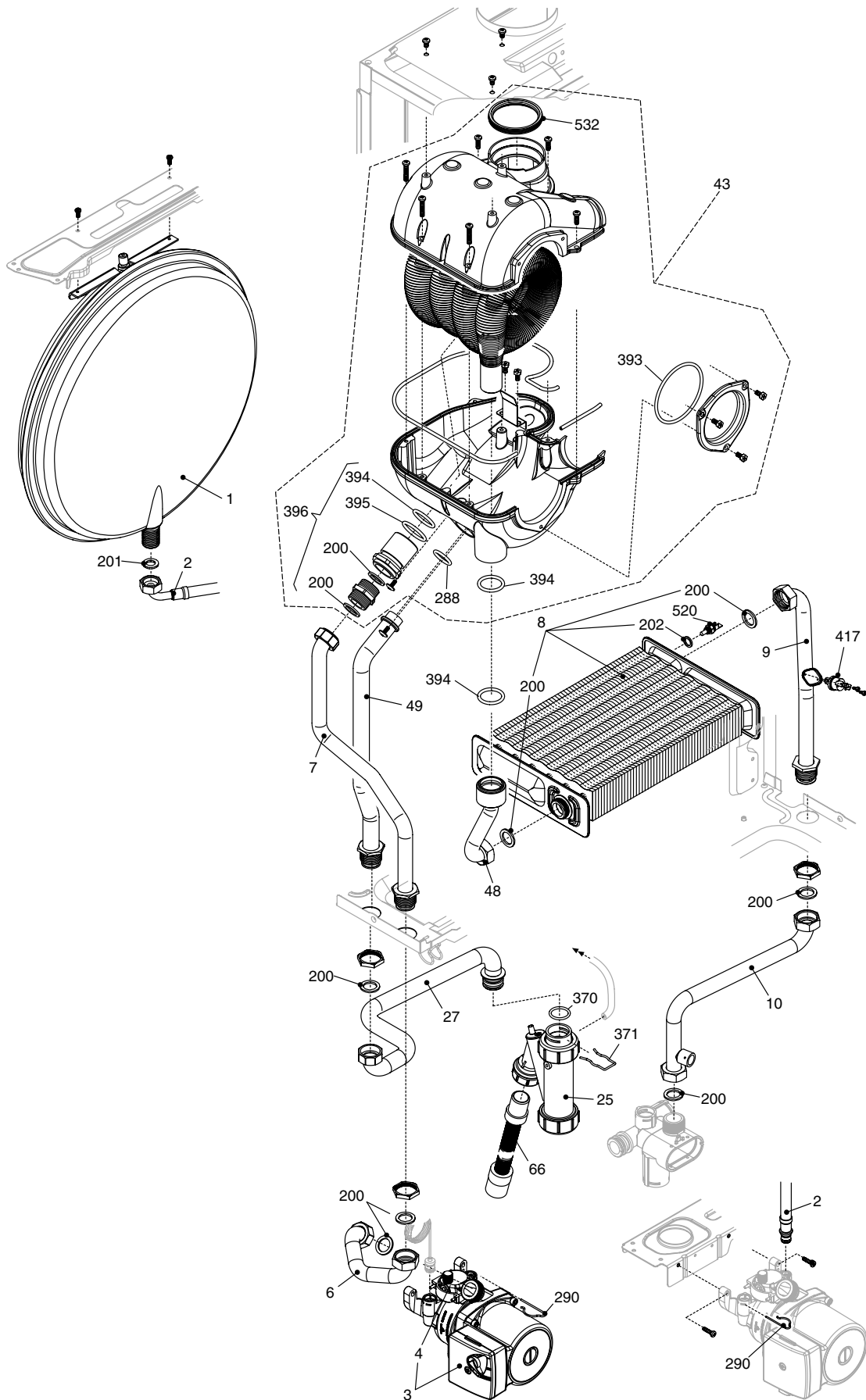
MODEL	PART NUMBER	
	NG	LPG
COMPACT 25 HE	2350893 (850)	2350895 (851)
COMPACT 29 HE	2350903 (852)	2350905 (853)
COMPACT 35 HE	2350963 (892)	2350965 (893)



POS.	DESCRIPTION	25 HE	29 HE	35 HE
1	Frame assembly	R01005403	R01005406	R01005410
10	Water gauge carrier	R10029105	R10029105	R10029105
12	Quik primer pressure gauge	R10029421	R10029421	R10029421
18	Cover assembly	R10027599	R10027599	R10027599
19	Ignition module	R10028890	R10028890	R10028890
20	Printed Circuit Board CP04	R10025340	R10025340	R10025340
20	Printed Circuit Board CPBTR04	R10030505	R10030505	R10030505
21	Led light guide	R10023816	R10023816	R10023816
26	Instrumental panel	20001102	20001102	20001102
27	Control knob	R10030335	R10030335	R10030335
28	Selection knob	R10030336	R10030336	R10030336
31	Case	R10026164	R10026179	R10028025
40	Instrumental panel cover	20001101	20001101	20001101
76	Timer	R10028496	R10028496	R10028496
78	Hinge assembly	R01005442	R01005442	R01005442
90	Fuse	R3478	R3478	R3478
226	Edge clip	R5128	R5128	R5128
270	Transformer	R10021272	R10021272	R10021272
300	Wiring harness ( PCB + ground faston connections Domino )	R10023840	R10023840	R10023840
301	Wiring harness ( Connections Domino programmer clock )	R10023940	R10023940	R10023940



POS.	DESCRIPTION	25 HE	29 HE	35 HE
1	Domestic water heat exchanger	R8036	R8037	R10024627
2	Connection	R10030114	R10030114	R10030114
3	Pressure switch	R10028141	R10028141	R10028141
4	Non return valve	R10025056	R10025056	R10025056
6	By-pass casing	R10024641	R10024641	R10024641
7	By-pass valve	R2047	R2047	R1552
9	Heating manifold and cartridge	R10026508	R10026508	R10026508
10	3 way valve cartridge	R10025305	R10025305	R10025305
11	Motorized valve	R10025304	R10025304	R10025304
12	Fixing fork wrench	R10025450	R10025450	R10025450
13	Fixing fork wrench	R10025449	R10025449	R10025449
22	Safety valve	R10025055	R10025055	R10025055
24	Flow governor	R10026043	R10024987	R10025080
24	Flow governor	R10026044	R10026044	R10020041
24	Flow governor	R10024987	R10026045	R10026041
25	Pipe	R10027544	R10027544	R10027544
26	DHW actuator	R10022349	R10022349	R10022349
27	Heating cock	R1789	R1789	R1789
28	Connection	R1790	R1790	R1790
30	Heating cock	R7099	R7099	R7099
33	Insulator	20007057	20007057	20007047
37	Pipe	R10025840	R10025840	R10025840
47	By-pass casing cover	R10024643	R10024643	R10024643
48	Discharge cock	R10024646	R10024646	R10024646
63	Pipe	R10026228	R10026228	R10026228
112	Pressure switch	R10027535	R10027535	R10027535
201	Washer	R5026	R5026	R5026
265	Washer	R5236	R5236	R5236
266	Washer	R5237	R5237	R5237
288	Washer	R6898	R6898	R6898
290	Clip	R2165	R2165	R2165
351	Nut	R1823	R1823	R1823
353	Nut	R1824	R1824	R1824
432	Clip	R10024958	R10024958	R10024958
433	Clip	R10024986	R10024986	R10024986
434	Nipple	R10024985	R10024985	R10024985
435	Connection	R10025059	R10025059	R10025059
436	Clip	R10025062	R10025062	R10025062
438	O-Ring	R10024988	R10024988	R10024988
439	Washer	R10025067	R10025067	R10025067
441	Clip	R10025063	R10025063	R10025063
442	O-Ring	R10025065	R10025065	R10025065
443	O-Ring	R10025064	R10025064	R10025064
444	Washer	R10025066	R10025066	R10025066
521	NTC sensor (red O-Ring)	R10027351	R10027351	R10027351
600	Wiring harness	R10027558	R10027558	R10027558
( PCB + ground faston frame, ground faston flow switch pump diverter valve H20 pressure switch condense, pressure switch gas valve (modulator + safety coils) DHW NTC )				



POS.	DESCRIPTION	25 HE	29 HE	35 HE
1	Expansion vessel	R2204	R2573	R2573
2	Flexible pipe	R10025188	R10025188	R10025188
3	Circulation pump	R10027571	R10027571	R10027258
4	Automatic air vent bottle	R10025485	R10025485	R10025485
6	Pipe	R10027541	R10027566	R10027741
7	Pipe	R10024312	R10024130	R10024519
8	Heat exchanger	R2381	R2378	R10020513
9	Pipe	R10021041	R10021041	R10020519
10	Pipe	R10027542	R10027567	R10027742
25	Siphon	R10027546	R10027546	R10027546
27	Pipe	R10027543	R10027568	R10028015
43	Condensing unit assembly	R01005411	R01005411	R01005411
48	Pipe	R10024311	R10024129	R10024518
49	Pipe	R10024313	R10024131	R10024520
66	Flexible pipe	R10027545	R10027545	R10027545
200	Washer 24 x 17	R5023	R5023	R5023
201	Washer 18,5 x 11	R5026	R5026	R5026
202	Washer	R5041	R5041	R5041
288	O-Ring	R6898	R6898	R6898
290	Clip	R2165	R2165	R2165
370	O-Ring	R10023533	R10023533	R10023533
371	Clip	R10023532	R10023532	R10023532
393	O-Ring	R10024141	R10024141	R10024141
394	O-Ring	R10024142	R10024142	R10024142
395	O-Ring	R10024143	R10024143	R10024143
396	Connections kit	R01005292	R01005292	R01005292
417	Limit thermostat	R10024710	R10024710	R10024710
520	NTC sensor (red O-Ring)	R10027352	R10027352	R10027352
532	Washer	R10027540	R10027540	R10027540

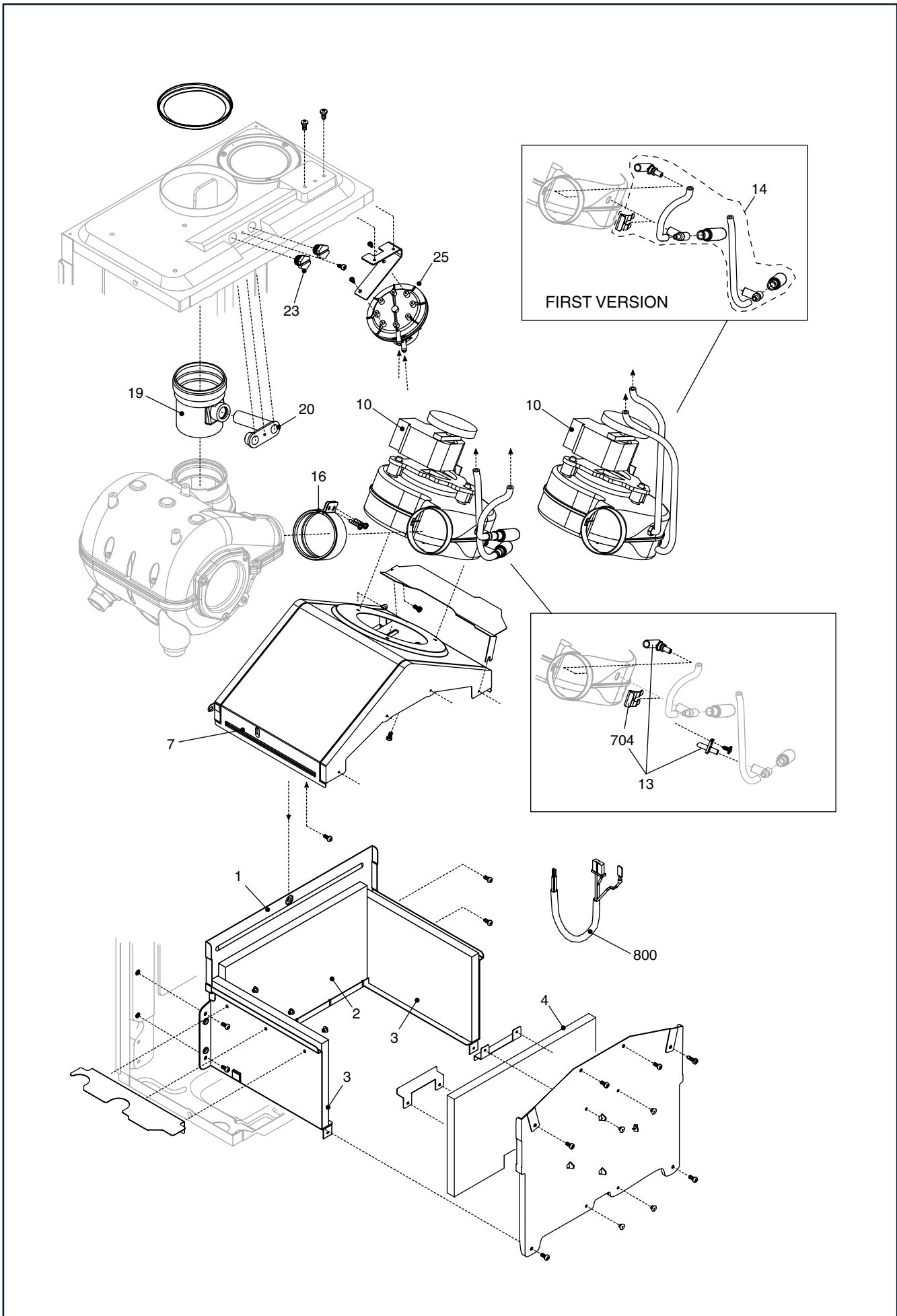




## BURNER

Drawing 4

POS.	DESCRIPTION	25 HE	29 HE	35 HE
1	Air box bottom	R10027533	R10027562	R10028011
2	Ambidx air box side	R10024166	R10024166	R2059
3	Clip	R0442	R0442	R0442
4	Burner assembly	R10027536	R10027564	R10028013
5	Spark electrode	R10025985	R10025985	R10025985
9	Burner plate	R5172	R5172	-
12	Gas pipe	R10027537	R10027537	R10028014
13	Gas valve	R10025074	R10025074	R10025074
14	Gas pipe	R10026703	R10026703	R10026703
15	Gas cock	R10020897	R10020897	R10020897
16	Air box cover	R10020216	R10020217	R10020430
17	Washer	R5072	R5072	R5072
18	Glass	R3139	R3139	R3139
19	Flange	R4007	R4007	R4007
20	Gas valve solenoid	R10020838	R10020838	R10020838
21	Washer	R5905	R5905	R5905
27	Hole cap	R8084	R8084	R8084
30	Air box side with washer	-	-	R2060
200	Washer	R5023	R5023	R5023
300	N.G. conversion kit	R01005225	R01005225	R01005225
301	LPG conversion kit	R01005407	R01005407	R01005407



## COMBUSTION COMPONENTS

Drawing 5

POS.	DESCRIPTION	25 HE	29 HE	35 HE
1	Combustion chamber assembly	R10025935	R10026406	R10020514
2	Combustion chamber back panel	R5270	R5316	R10020518
3	Combustion chamber lateral panel	R5271	R5271	R5271
4	Combustion chamber front panel	R5269	R5315	R10020517
7	Hood assembly	R10024310	R10024125	R10024473
10	Fan	R10024035	R10024035	R10024035
13	Venturi and pressure tube kit	20031569	20031569	20031569
14	Venturi kit	20030209	20030209	20030209
16	Clamp for tube	R10024126	R10024126	R10024126
19	Fan flue connection	R10024137	R10024137	R10024137
20	Block with combustion analysis check	R10026933	R10026933	R10026933
23	Brass cap	R8086	R8086	R8086
25	Pressure differential switch	R10020889	R10020889	R10020889
704	Clamp for venturi	20031570	20031570	20031570
800	Combustion - fan cable	R10027559	R10027559	R10027913

( PCB ground faston fan H2O limit thermostat CH NTC flue pressure switch )

<b>REV.</b>	<b>DATA</b>	<b>DESCRIZIONE</b>
1.0	28/12/05	Inserito modello 35 HE e modifiche varie
2.0	01/03/06	Modifiche varie
3.0	07/03/07	Modifiche varie
4.0	07/11/07	E00120070101 : cruscotto, idrometro, orologio programmatore
5.0	21/05/08	E00120080200 : scheda CPBTR04
6.0	05/11/2010	E00120100019 : molletta circolatore - E00120080360 : coibente scambiatore E00120100506 : venturi ventilatore




---

Vokera reserve the right to change the specifications without prior notice.  
Consumers' statutory rights are not affected.