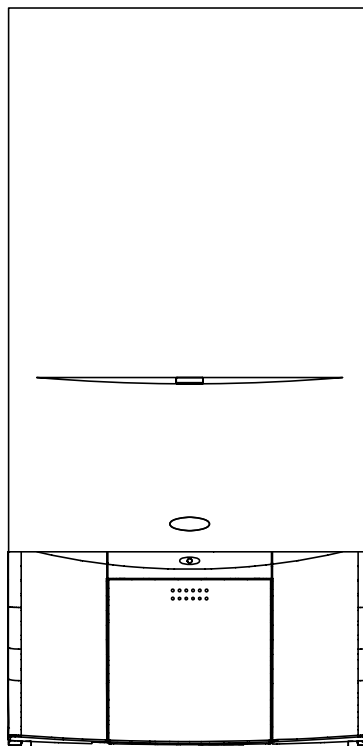
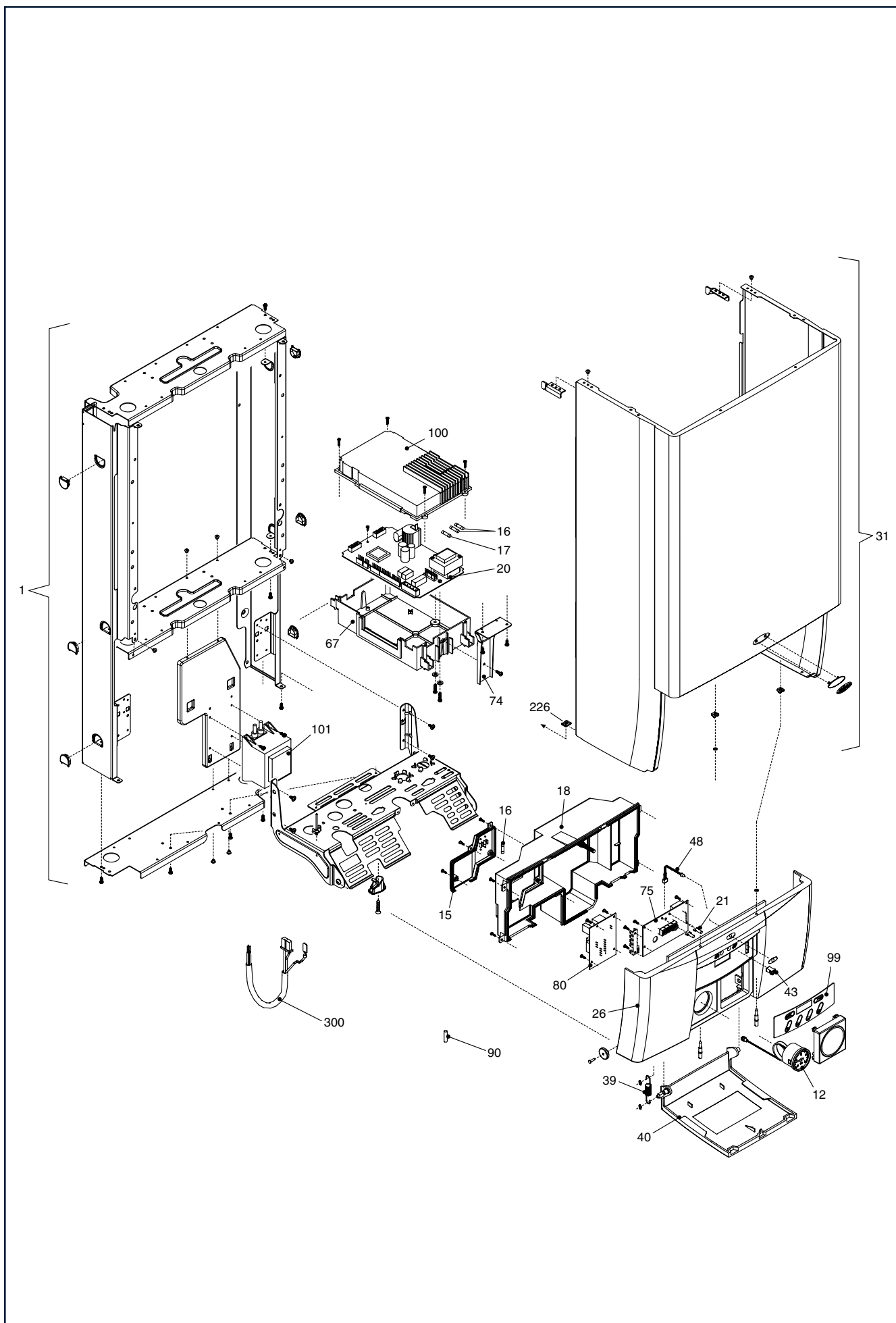


**Wall hung boilers**

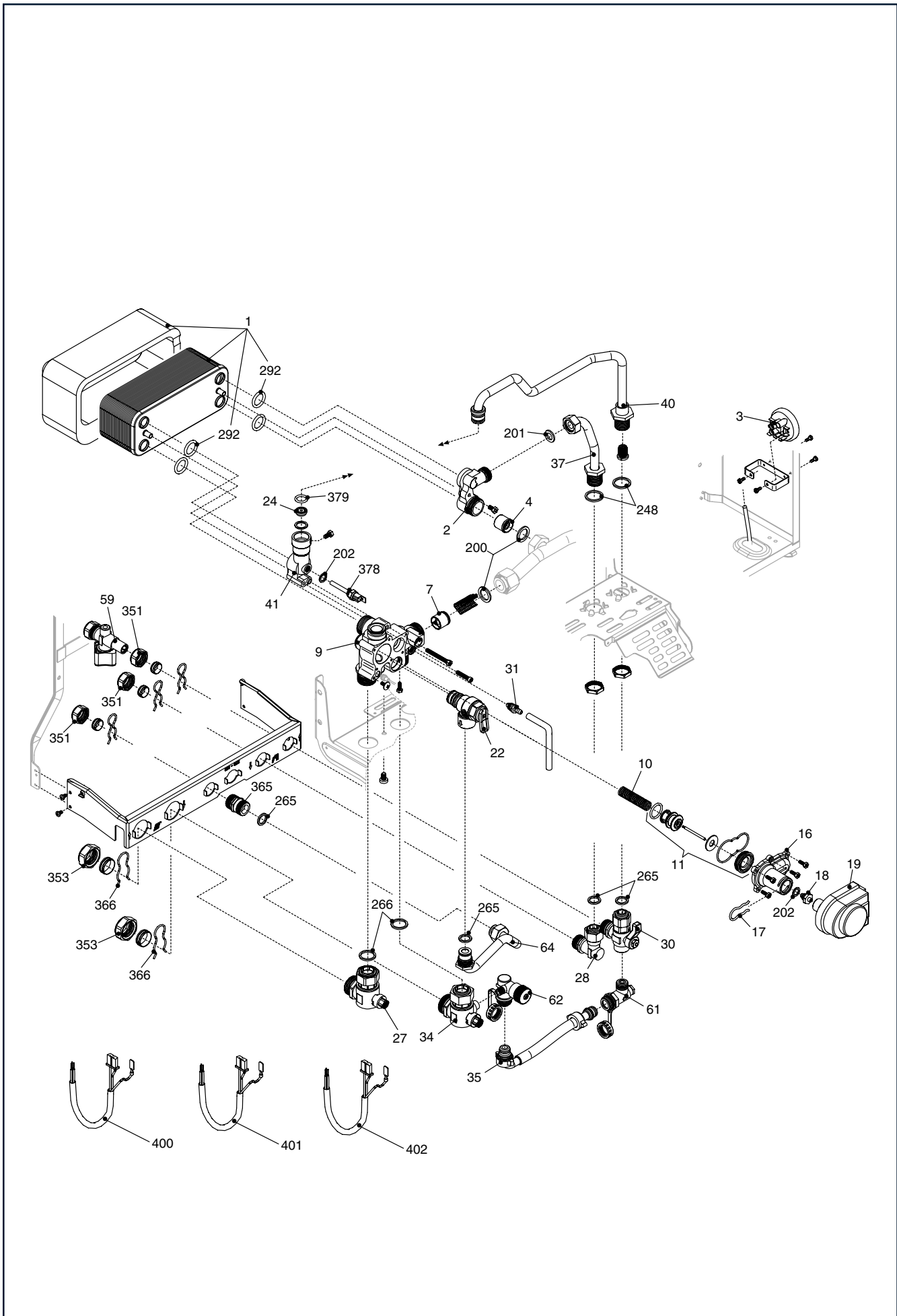
# Hydra



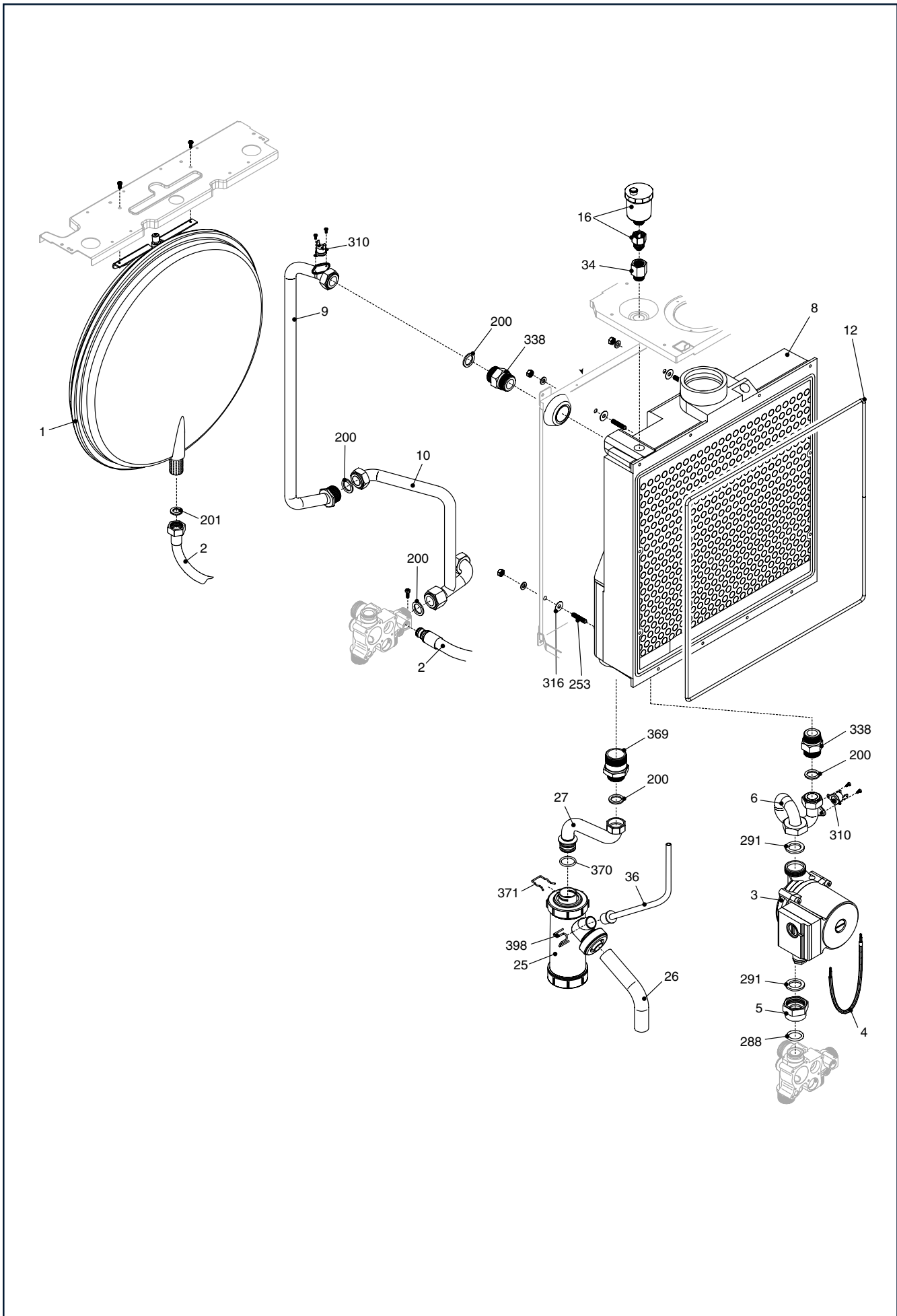
MODEL	PART NUMBER	
	MTN	GPL
HYDRA 26	2350683	2350685



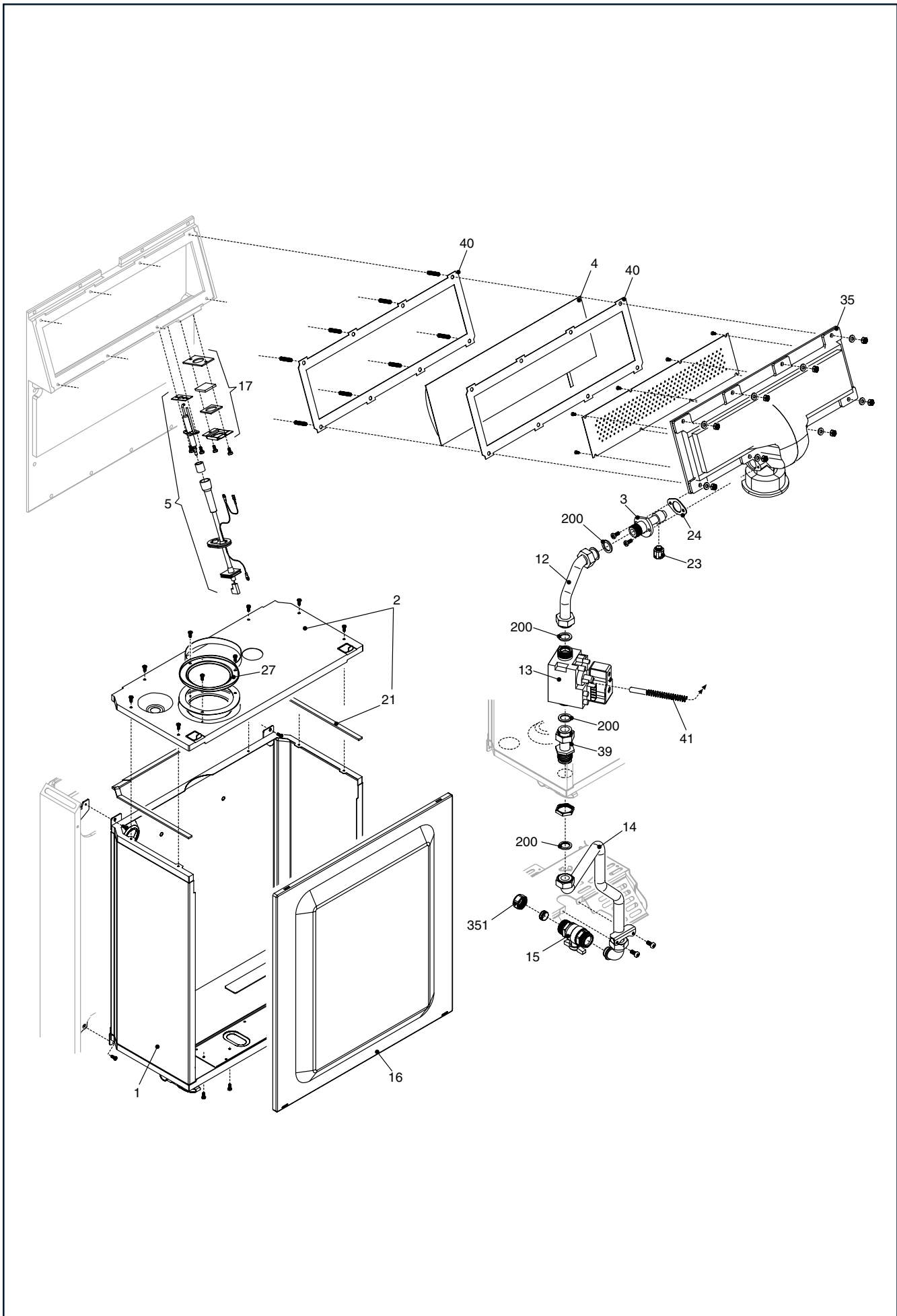
POS.	DESCRIPTION	26
1	Frame	R01005243
12	Quick primer pressure gauge	R1857
15	Cover	R10023681
16	2 A 5X20 inline fuse	R8968
17	3,15 A 5X20 inline fuse	R8969
18	Printed Circuit Board cover	R10021849
20	Printed Circuit Board	R10023479
21	Led Light Guide	R10023583
26	Instrumental panel	R10024498
31	Case	R10023589
39	Spring	R1862
40	Door panel	R10023774
43	Push-push cover	R1864
48	Green-red led	R1858
67	Printed circuit holding	R10023476
74	Bracket	R10023571
75	Display Printed Circuit Board	R10023297
80	Printed Circuit Board	R10023299
90	Fuse	R3478
99	Membrane keypad	R10023582
100	Cover	R10023477
101	Wired transformer	R10023478
226	Edge clip	R5128
300	Flat cable	R10023586



POS.	DESCRIPTION	26
1	Domestic water heat exchanger	R10023482
2	Heat exchanger-pipe connection	R8432
3	Pressure switch	R10022556
4	Non return valve	R2908
7	Heating by-pass valve	R2047
9	Heating distributor manifold	R10020439
10	3 port valve spring	R6862
11	3 way valve overhaul kit	R01005127
16	3 way valve cover	R2904
17	Motorised valve fixing fork wrench	R2906
18	Or union assembly bracket	R6919
19	Motorised valve	R2905
24	Blue flow governor	R8009
27	Heating cock	R1789
28	Connection	R1790
30	Water supply stop cock	R10023567
31	Venting plugs kit	R01005137
34	1/8" Heating deviation cock	R10023566
35	Filling loop flexible pipe	R10023570
37	Pipe	R1631
40	Pipe	R10023577
41	Connection	R8952
59	Water supply stop cock	R1749
61	Non return valve	R10023569
62	Filling cock	R10023568
64	Pipe	R10023643
200	Washer	R5023
201	Washer	R5026
202	Washer	R5041
248	Washer	R5208
265	Washer	R5236
266	Washer	R5237
292	O-ring	R7999
351	Brass nut	R1823
353	Ogive	R1824
365	Nipple	R1793
366	Clip	R1820
378	NTC sensor	R8855
379	O-ring	R8959
400	Diverter valve cable	R10023584
401	Hydraulic control cable	R10024392
402	NTC sensor cable	R10023587

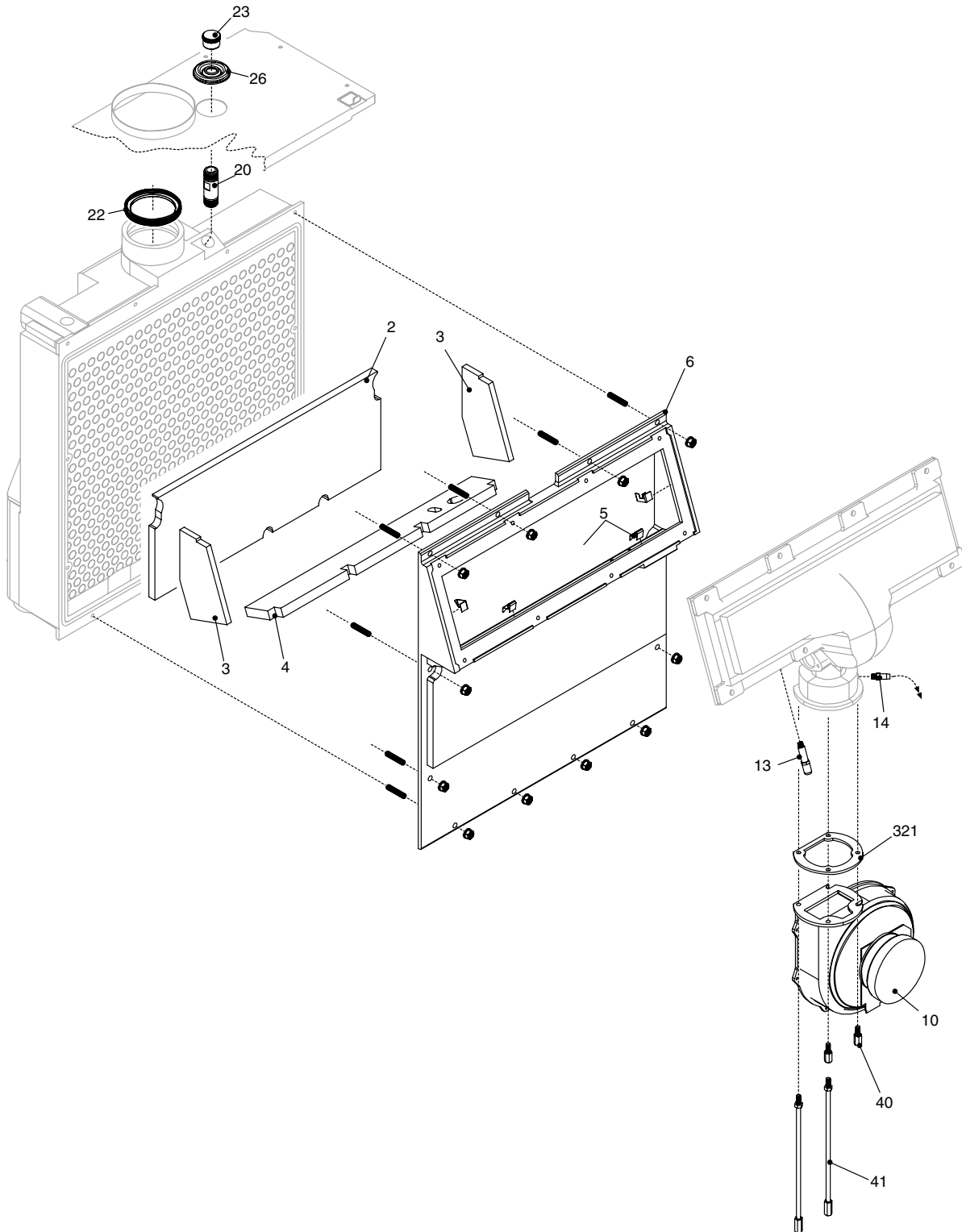


POS.	DESCRIPTION	26
1	Expansion vessel	R2573
2	Flexible pipe	R2164
3	Pump	R8876
4	Pump cable	R10023573
5	Brass nut	R10022444
6	Pipe	R10023574
8	Heat exchanger	R8884
9	Pipe	R10023575
10	Pipe	R10023576
12	Washer	R9287
16	Air vent bottle+cock assembly	R9806
25	Siphon	R10024112
26	Pipe	R10023530
27	Pipe	R10023579
34	Connection for air vent bottle	R8911
36	Connection pipe	R10023580
200	Washer	R5023
201	Washer	R5026
253	Headless screw	R5216
288	O ring	R6898
291	Washer	R6897
310	NTC sensor	R1194
316	Washer	R1022
338	Connection for dom. exp. vessel	R8873
369	Connection	R10023493
370	O-ring	R10023533
371	Clip	R10023532
398	Clip	R10024336





POS.	DESCRIPTION	26
1	Roomsealed chamber	R10023486
2	Upper panel for air box	R8881
3	Main burner jet support	R1195
4	Main burner	R1196
5	Spark electrode kit	R01005242
12	Gas pipe	R10022442
13	Gas valve	R10022441
14	Pipe	R10023578
15	Gas cock connection	R1787
16	Front panel for air box	R1035
17	Glass kit	R01005234
21	Washer	R5905
23	Main burner jet NG	R8970
23	Main burner jet LPG	R9295
24	Washer	R9299
27	Air box hole cap	R8084
35	Air conveyer	R8886
39	Gas pipe	R10022443
40	Washer	R9285
41	Spring	R9296
200	Washer	R5023
351	Brass nut	R1823



POS.	DESCRIPTION	26
2	Exchanger lower insulation panel	R1193
3	Exchanger insulation panel	R10027410
4	Exchanger upper insulation panel	R1016
5	Clip	R10021115
6	Cover for heat exchanger	R1033
10	Fan	R10024230
13	Pressure connection	R8915
14	Pressure connection	R8916
20	Connection	R8908
22	Washer	R8912
23	Plug	R8909
40	Screw	R1006
41	Screw	R9292
321	Fan gasket	R8893

<b>REV.</b>	<b>DATA</b>	<b>DESCRIZIONE</b>
1.0	06/09/02	MODIFICHE VARIE COM. 201 + 206/02
2.0	04/07/03	MODIFICHE VARIE
3.0	01/03/06	MODIFICHE VARIE



---

Vokera reserve the right to change the specifications without prior notice.  
Consumers' statutory rights are not affected.