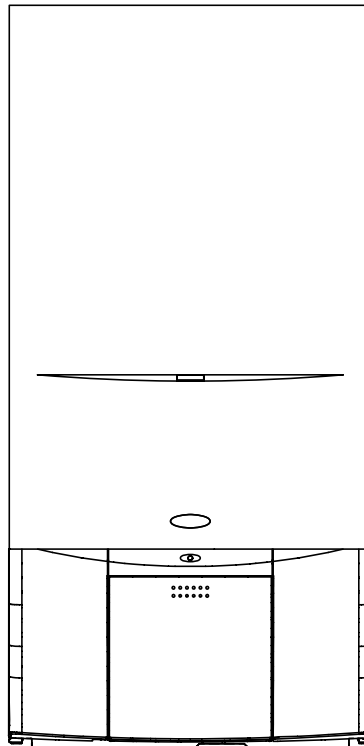
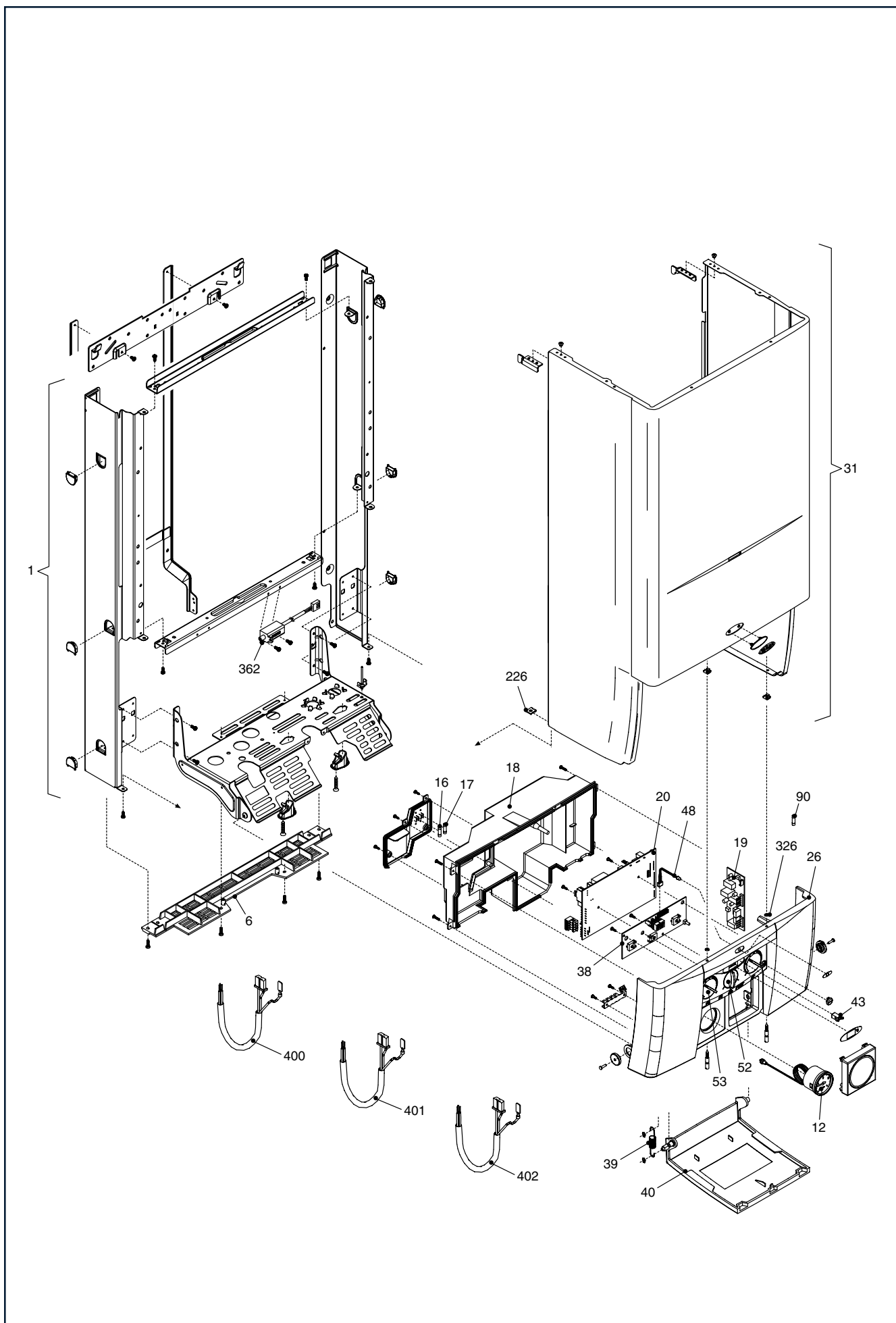


**Wall hung boilers**

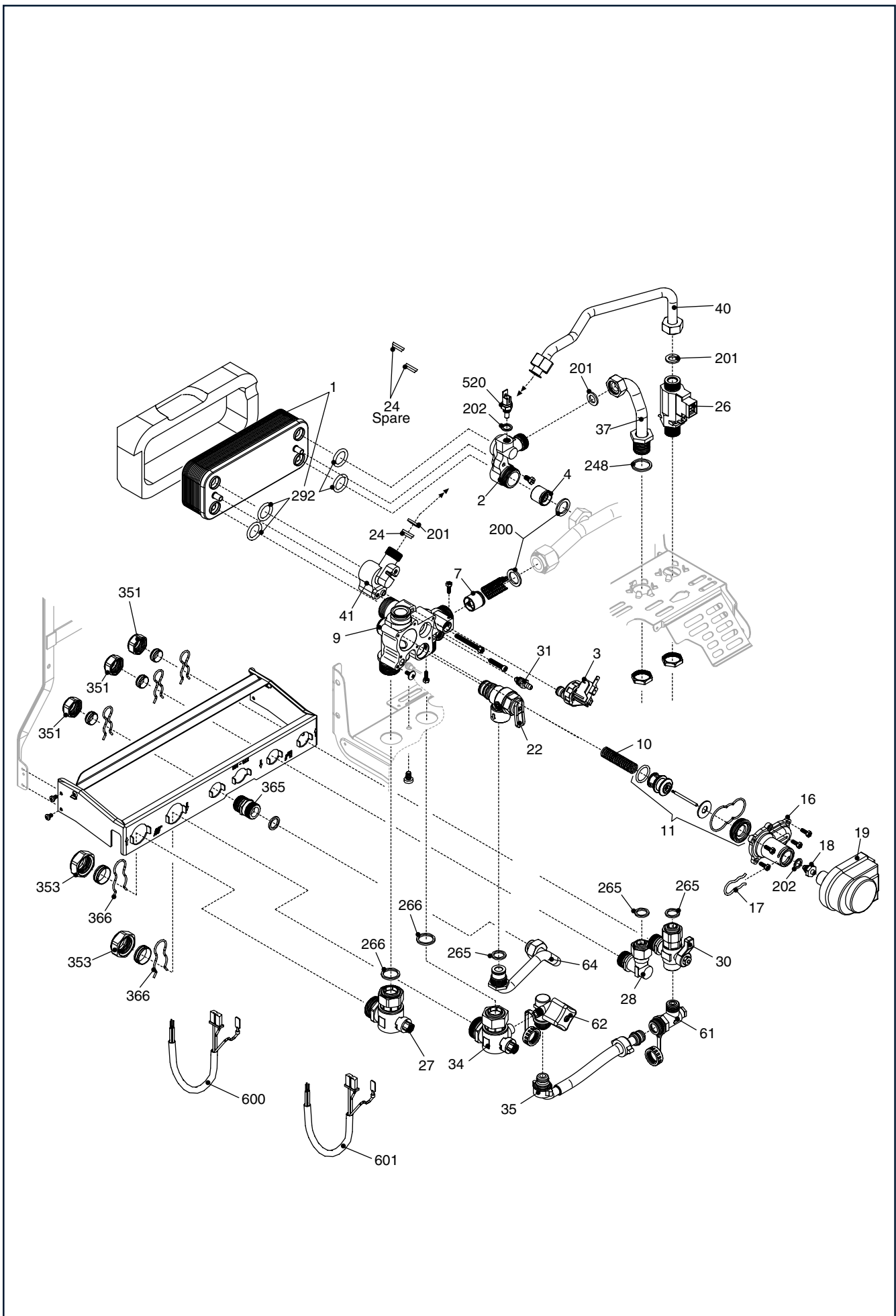
# Linea



MODEL	PART NUMBER	
	NG	LPG
LINEA 726	2350713	2350715
LINEA 730	2350753	2350755
LINEA 735	2350773	2350775

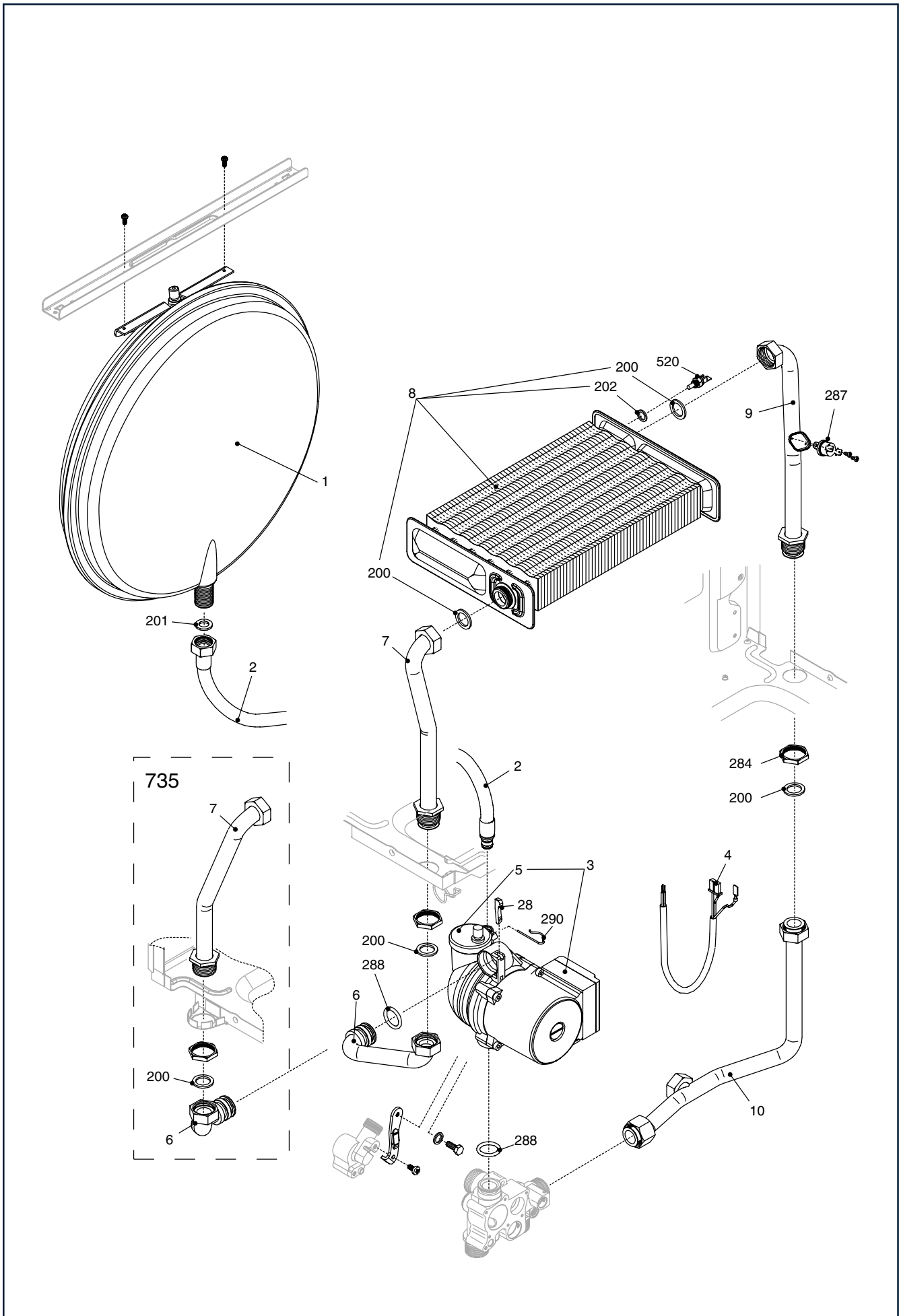


POS.	DESCRIPTION	726	730	735
1	Frame	R01005133	R01005134	R01005212
6	Guard	R1913	R1913	R1913
12	Quick primer pressure gauge	R1857	R1857	R1857
16	2A fuse	R8968	R8968	R8968
17	100 mA fuse	R1947	R1947	R1947
18	Cover	R10021849	R10021849	R10021849
19	Ignition module	R10028891	R10028891	R10028891
20	Printed Circuit Board	R10024731	R10024731	R10024731
26	Instrumental panel	R10021951	R10022015	R10022029
31	Case	R1880	R1922	R2062
38	Printed Circuit Board	R10024558	R10024558	R10024558
39	Spring	R1862	R1862	R1862
40	Door panel	R1498	R1498	R1498
43	Push-push cover	R1864	R1864	R1864
48	Led Light Guide	R1858	R1858	R1858
52	Selector knob kit	R01005072	R01005072	R01005072
53	Control knob kit	R01005073	R01005073	R01005073
90	3A fuse	R3478	R3478	R3478
226	Edge clip	R5128	R5128	R5128
326	O ring	R1869	R1869	R1869
362	Transformer	R10022659	R10022659	R10022659
400	Wiring harness	R10021117	R10021117	R10021117
401	Wiring harness	R1780	R1780	R1780
402	Wiring harness	R1980	R1980	R1980

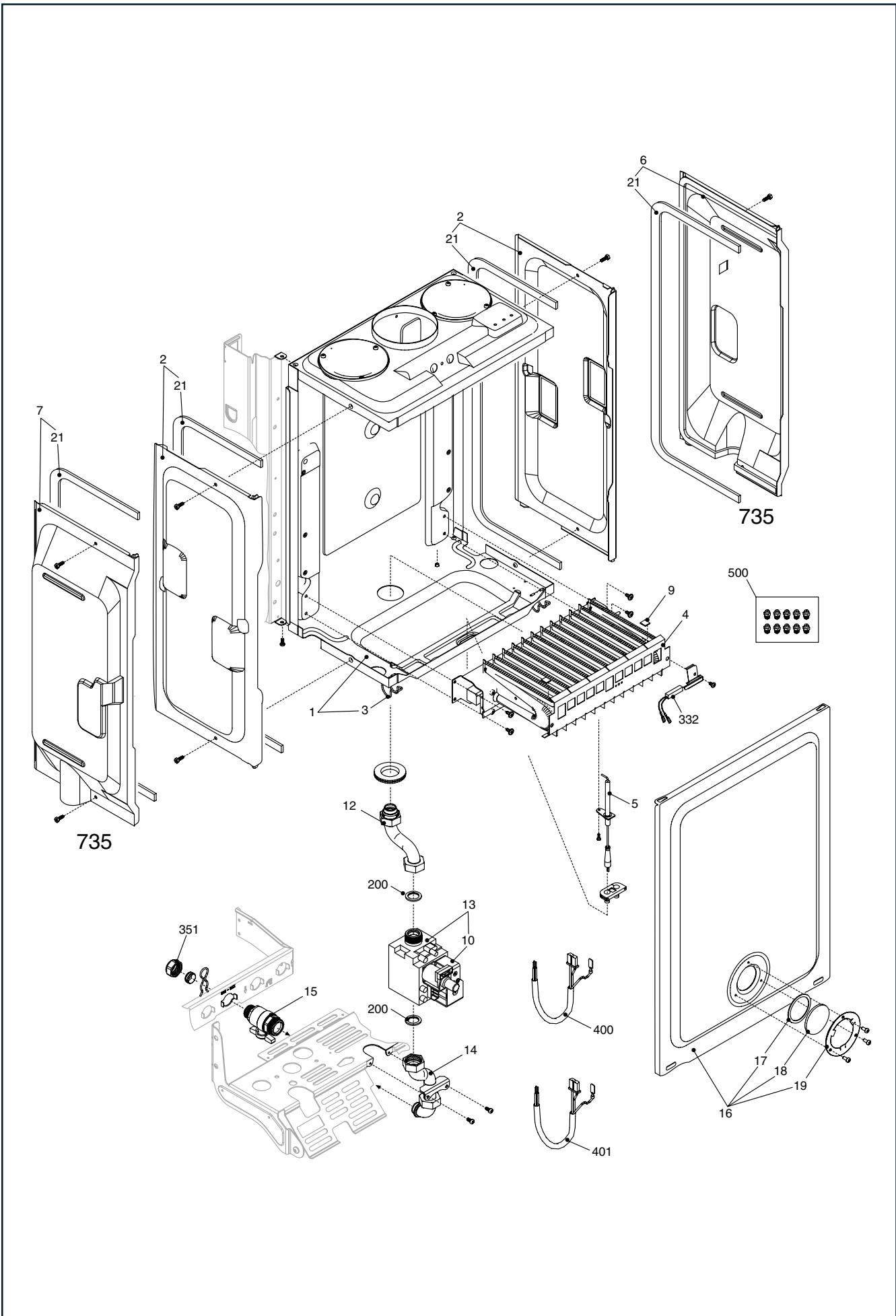


POS.	DESCRIPTION	726	730	735
1	Domestic water heat exchanger	R8037	R1957	R10024627
2	Connection	R9807	R9807	R9807
3	Pressure switch	R10028141	R10028141	R10028141
4	Non return valve	R2908	R2908	R2908
7	By-pass valve	R2047	R2047	R1552
9	Heating manifold	R10020439	R10020439	R10020439
10	Spring	R6862	R6862	R6862
11	Three way valve overhaul kit	R01005127	R01005127	R01005127
16	Three way valve cover	R2904	R2904	R2904
17	Fixing fork wrench	R2906	R2906	R2906
18	O ring connection	R6919	R6919	R6919
19	Motorized valve	R2905	R2905	R2905
22	Safety valve	R1806	R1806	R1806
24	Flow governor	R10024462	R8009	R9430
24	Flow governor (spare)	R8008	R10020041	R10020041
24	Flow governor (spare)	R8009	R10024462	R1321
26	DHW actuator	R10022349	R10022349	R10022349
27	Heating cock	R1789	R1789	R1789
28	Connection	R1790	R1790	R1790
30	Heating cock	R10023567	R10023567	R10023567
31	Venting plugs kit	R01005137	R01005137	R01005137
34	Heating cock	R10023566	R10023566	R10023566
35	Flexible pipe	R10023570	R10023570	R10023570
37	Pipe	R1631	R1631	R10023211
40	Pipe	R10022125	R10022125	R10023210
41	Connection	R2903	R2903	R2903
61	Non return valve	R10023569	R10023569	R10023569
62	Filling cock	R10023568	R10023568	R10023568
64	Pipe	R10023643	R10023643	R10023643
200	Washer	R5023	R5023	R5023
201	Washer	R5026	R5026	R5026
202	Washer	R5041	R5041	R5041
248	Washer	R5208	R5208	R5208
265	Washer	R5236	R5236	R5236
266	Washer	R5237	R5237	R5237
292	O ring	R7999	R7999	R7999
351	Nut	R1823	R1823	R1823
353	Nut	R1824	R1824	R1824
365	Nipple	R1793	R1793	R1793
366	Clip	R1820	R1820	R1820
500	Linea 7 - Syntesi Kit	R01005398	R01005398	R01005398
520	NTC sensor	R10027352	R10027352	R10027352
600	Wiring harness	R10020530	R10020530	R10020530
601	Wiring harness	R1873	R1873	R1873

- \* R1321 Green flow governor
- \* R8008 Withe flow governor
- \* R8009 Blu flow governor
- \* R9430 Red flow governor
- \* R10020041 Beige flow governor
- \* R10024462 Orange flow governor



POS.	DESCRIPTION	726	730	735
1	Expansion vessel	R2204	R2204	R2573
2	Flexible pipe	R10023603	R10023603	R10023603
3	Pump	R10020437	R10020437	R10020438
4	Wiring harness	R1845	R1845	R1845
5	Automatic air vent bottle	R0439	R0439	R0439
6	Pipe	R10023195	R10023202	R10023209
7	Pipe	R1847	R1847	R2051
8	Heat exchanger	R10024578	R10023579	R10024580
9	Pipe	R10021041	R10021041	R10020519
10	Pipe	R10023198	R10023203	R10023208
28	Pump lock key	R9263	R9263	R9263
200	Washer	R5023	R5023	R5023
201	Washer	R5026	R5026	R5026
202	Washer	R5041	R5041	R5041
287	Limit thermostat	R2258	R2258	R2258
288	O-ring	R6898	R6898	R6898
290	Clip	R2165	R2165	R2165
520	NTC sensor	R10027352	R10027352	R10027352

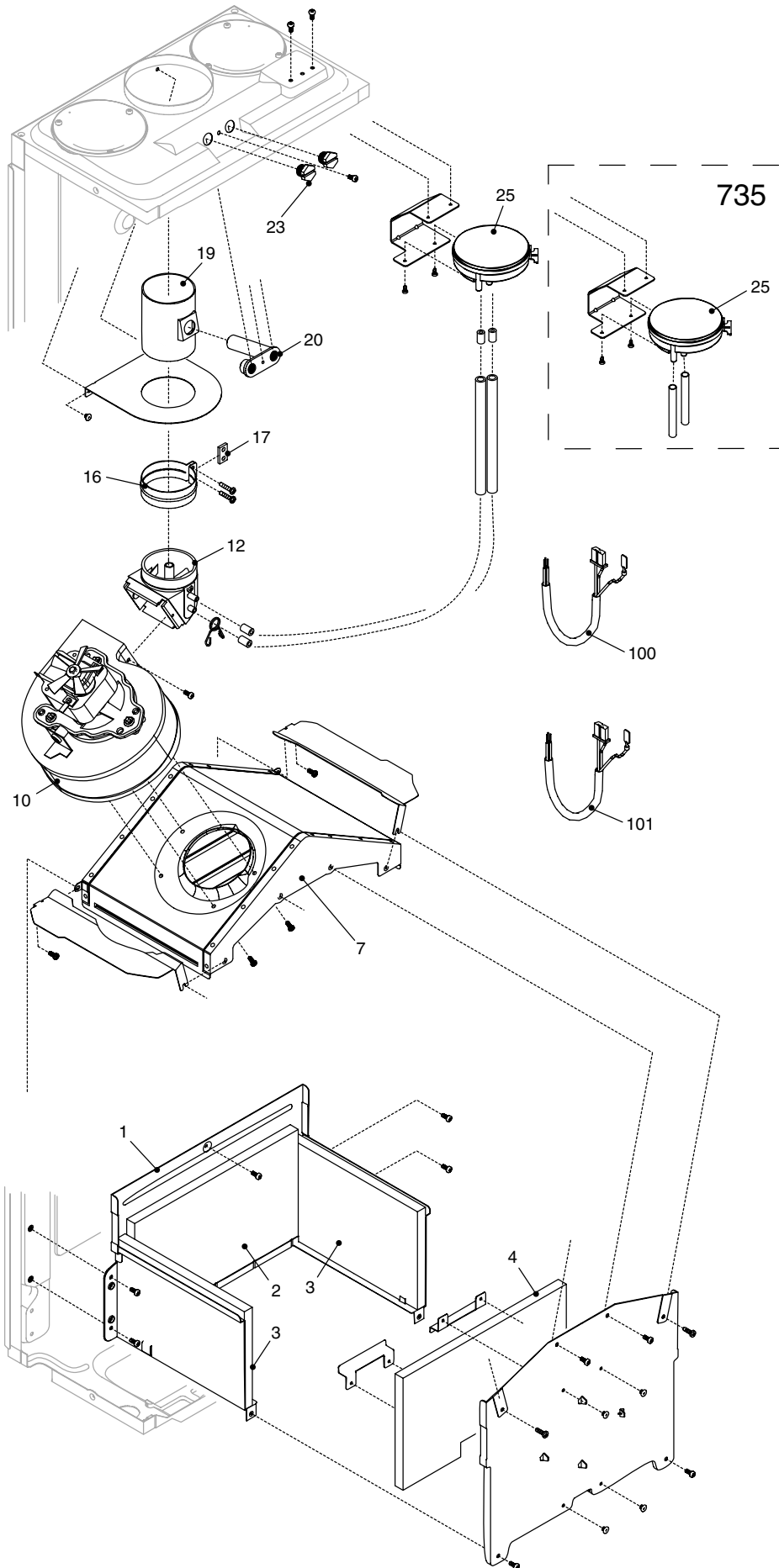




BURNER

Drawing 4

POS.	DESCRIPTION	726	730	735
1	Air box bottom	R10023095	R10022388	R10024792
2	Ambidx air box side	R1549	R1549	-
3	Air box clip	R0442	R0442	R0442
4	NG Burner	R10024463	R10024524	R10024752
5	Spark electrode	R10025891	R10025891	R10025891
6	Air box side	-	-	R2059
7	Air box side	-	-	R2060
9	NG plate	R5172	R5172	-
10	Gas valve solenoid	R10020838	R10020838	R10020838
12	Gas pipe	R1839	R1839	R1839
13	Gas valve	R10025074	R10025074	R10025074
14	Gas pipe	R1840	R1840	R1840
15	Gas cock	R1787	R1787	R1787
16	Air box cover	R10020216	R10020217	R10020430
17	Wascher	R5072	R5072	R5072
18	Glass	R3139	R3139	R3139
19	Glass flange	R4007	R4007	R4007
21	Washer	R5905	R5905	R5905
200	Washer	R5023	R5023	R5023
332	Thermostat	R2600	R2600	R2600
351	Nut	R1823	R1823	R1823
400	Wiring harness	R10021947	R10021947	R10021947
401	Wiring harness	R10024466	R10024466	R10024466
500	N.G. conversion kit	R01005286	R01005286	R01005286



## COMBUSTION COMPONENTS

Drawing 5

POS.	DESCRIPTION	726	730	735
1	Combustion chamber assembly	R6027	R6028	R10024751
2	Combustion chamber back panel	R5270	R5316	R10020518
3	Combustion chamber lateral panel	R5271	R5271	R5271
4	Combustion chamber front panel	R5269	R5315	R10020517
7	Hood assembly	R10026372	R2860	R1968
10	Fan	R2865	R10024526	R10024577
12	Fan to flue connector	R10023048	R10023182	R10023183
16	Clamp for tube	R5916	R5916	R5916
17	Washer clamp	R5917	R5917	R5917
19	Fan flue connection	R8083	R8083	R8083
20	Block with combustion analysis check	R10026933	R10026933	R10026933
23	Brass cap	R8086	R8086	R8086
25	Pressure differential switch	R2677	R2677	R2677
100	Wiring harness	R10021065	R10021108	R10020529
101	Wiring harness	R1870	R1870	R1870

<b>REV.</b>	<b>DATA</b>	<b>DESCRIZIONE</b>
1.0	13/02/03	Variato nome prodotto da "7 Series 7-26" a "Linea 726"
2.0	14/03/03	Inserito modello Linea 730
3.0	16/04/03	Inserito modello Linea 735
4.0	20/06/05	Modifiche varie
5.0	23/02/06	Modifiche varie
6.0	12/03/07	Modifiche varie



---

Vokera reserve the right to change the specifications without prior notice.  
Consumers' statutory rights are not affected.