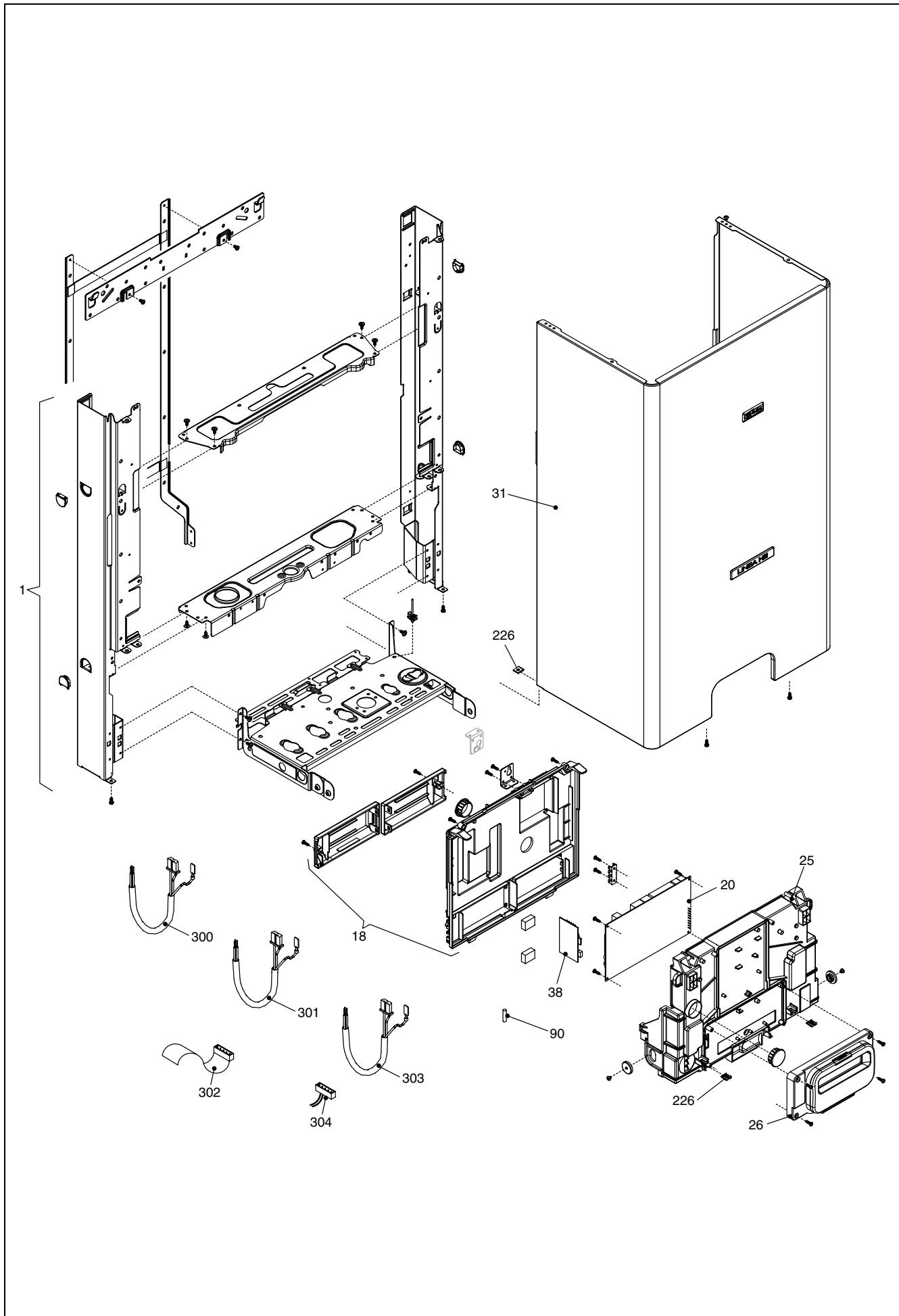


**Wall hung boilers**

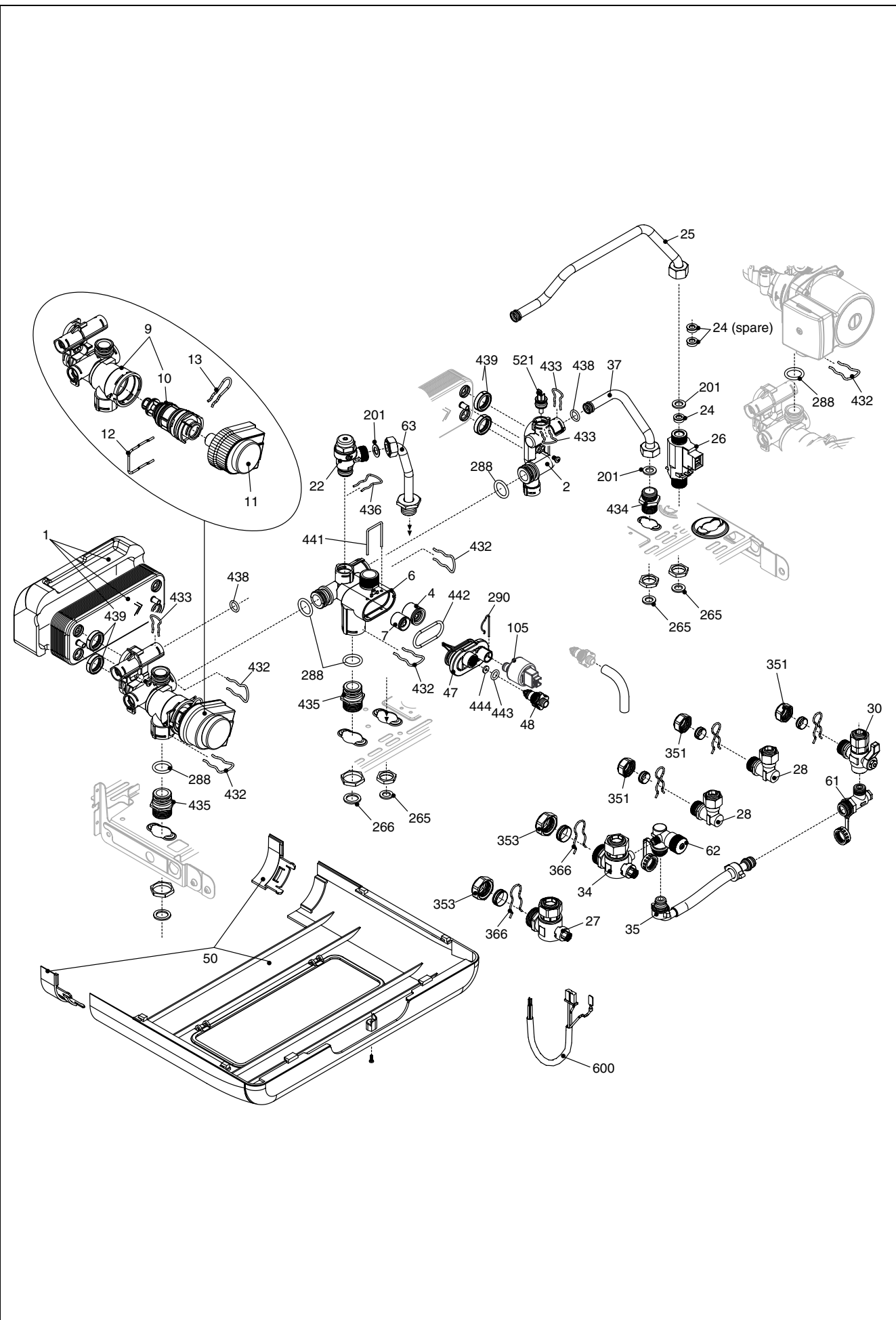
**Linea HE**



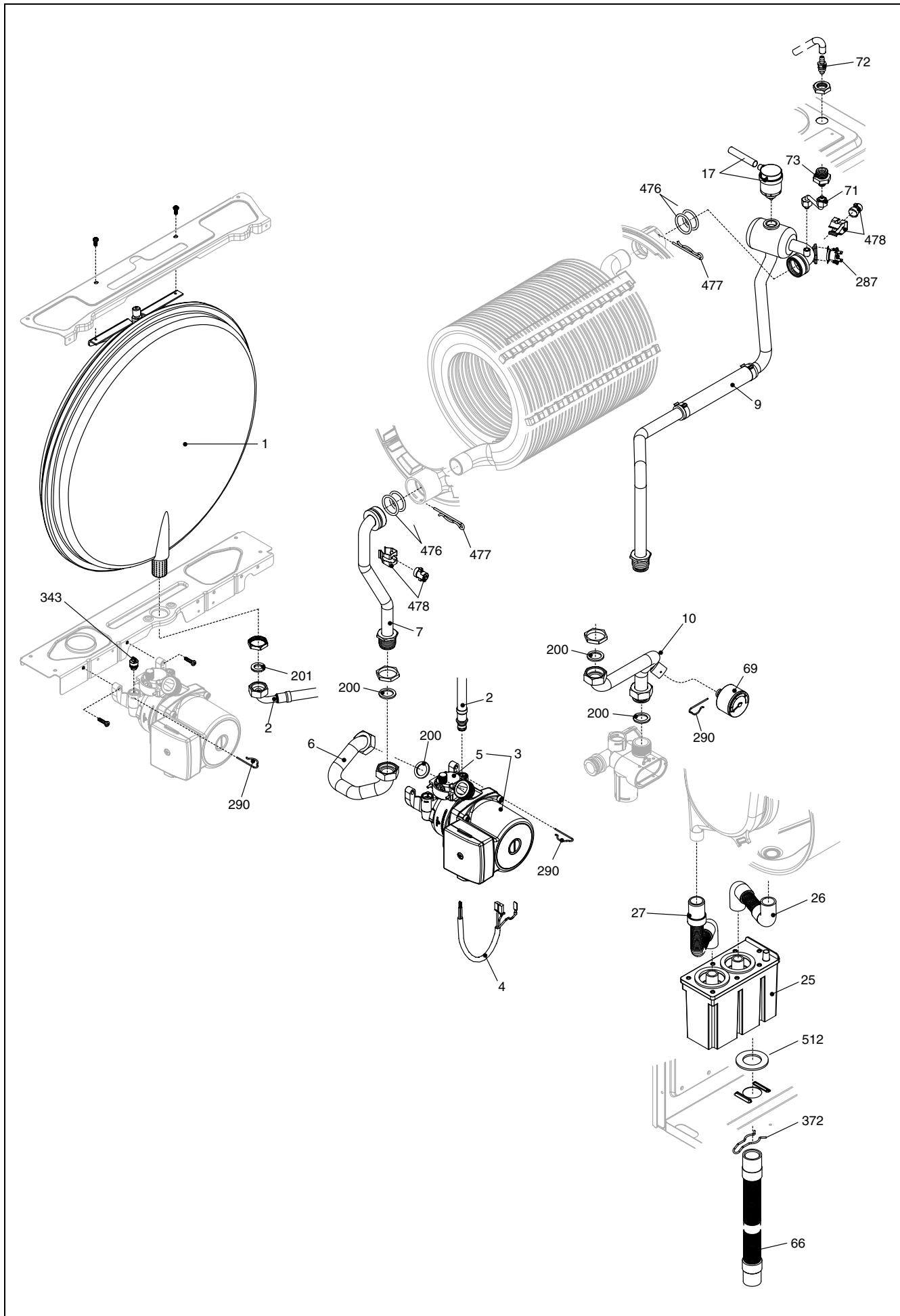
MODEL	PART NUMBER	
	MTN	GPL
<b>Linea 25 HE</b>	<b>2350833 (838)</b>	-
<b>Linea 30 HE</b>	<b>2350863 (840)</b>	-
<b>Linea 35 HE</b>	<b>2350883 (842)</b>	-



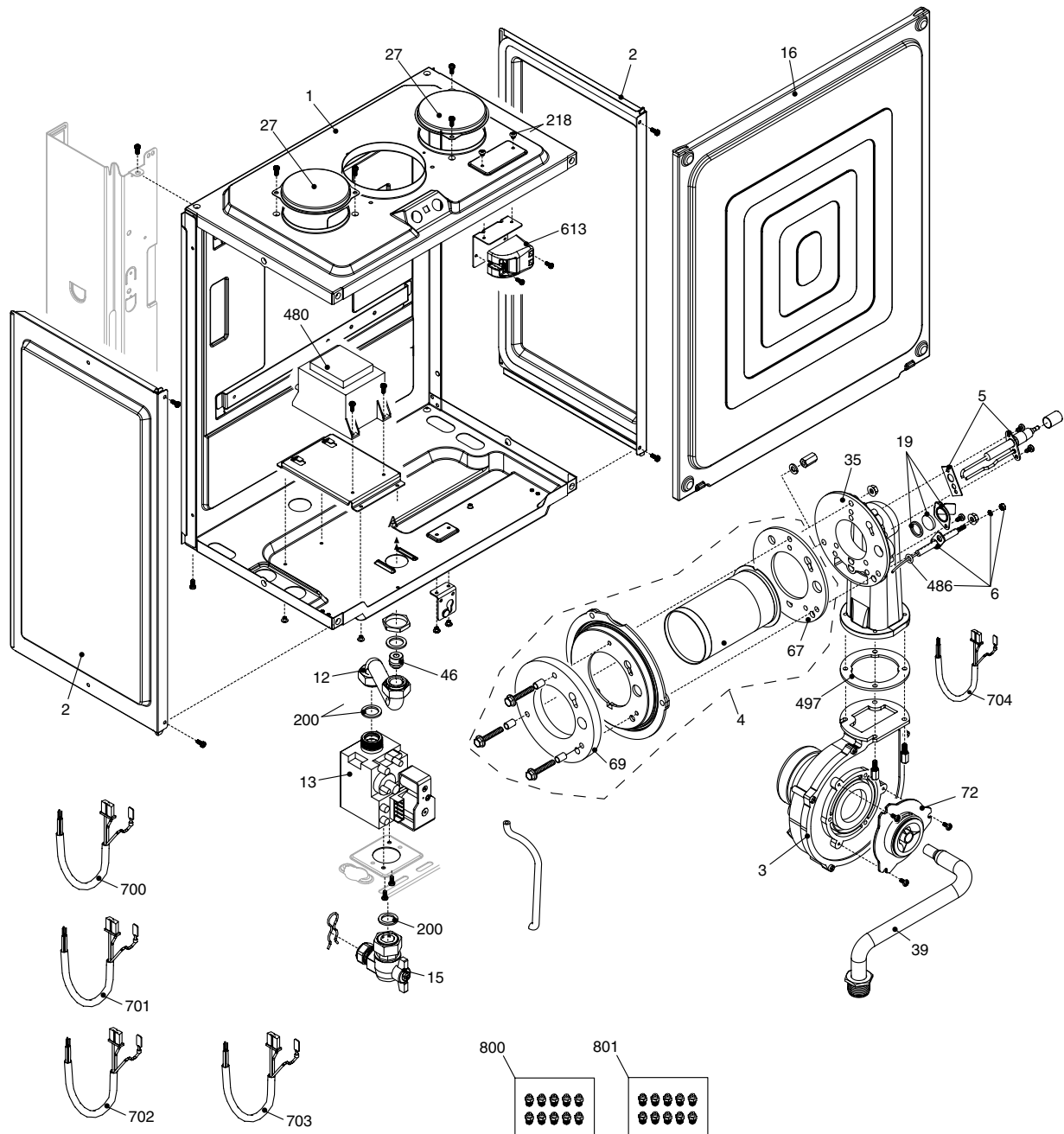
POS.	DESCRIPTION	25 He	30 He	35 He
1	Frame assembly	R01005365	R01005365	R01005365
18	Cover assembly	R10026239	R10026239	R10026239
20	Printed circuit board AE01C	20000498	20000498	20000498
25	Cover	R10025842	R10025842	R10025842
26	Control panel	R10026238	R10026238	R10026238
31	Case	R10026241	R10026241	R10026241
38	Printed circuit board	R10027200	R10027200	R10027200
90	Fuse	R3478	R3478	R3478
226	Clip	R5128	R5128	R5128
300	Wiring harness	R10026330	R10026330	R10026330
301	Power wiring harness	R10026333	R10026333	R10026333
302	Electric connection band	R10026341	R10026341	R10026341
303	Low tension cable	R10027158	R10027158	R10027158
304	Cable connector	R10026342	R10026342	R10026342



POS.	DESCRIPTION	25 He	30 He	35 He
1	Exchanger	R8037	R1957	R10024627
2	Connection	R10030114	R10030114	R10030114
4	Non return valve	R10025056	R10025056	R10025056
6	By-pass casing	R10024641	R10024641	R10024641
7	Heating by-pass valve	R2047	R2047	R1552
9	3-way heating manifold and cartridge	R10026508	R10026508	R10026508
10	3 way valve cartridge	R10025305	R10025305	R10025305
11	Actuator	R10025304	R10025304	R10025304
12	Clip	R10025450	R10025450	R10025450
13	Clip	R10025449	R10025449	R10025449
22	Safety valve	R10025055	R10025055	R10025055
24	Flow governor	R10026043	R10024987	R10025080
24	Flow governor	R10024462	R10024462	R10024462
24	Flow governor	R10024987	R10020041	R10020041
25	Pipe	R10025839	R10025839	R10025839
26	Dhw actuator	R10022349	R10022349	R10022349
27	Heating cock	R1789	R1789	R1789
28	Connection	R1790	R1790	R1790
30	Cock	R10023567	R10023567	R10023567
34	Cock	R10023566	R10023566	R10023566
35	Flexible pipe	R10023570	R10023570	R10023570
37	Pipe	R10025840	R10025840	R10025840
47	Cover for by-pass assembly	R10024643	R10024643	R10024643
48	Cock	R10024646	R10024646	R10024646
50	Cover	R10026116	R10026116	R10026116
61	Non return valve	R10023569	R10023569	R10023569
62	Cock	R10023568	R10023568	R10023568
63	Pipe	R10026228	R10026228	R10026228
105	Pressure transducer	R10028142	R10028142	R10028142
201	Washer	R5026	R5026	R5026
265	Washer	R5236	R5236	R5236
266	Washer	R5237	R5237	R5237
288	Ring	R6898	R6898	R6898
290	Clip	R2165	R2165	R2165
351	Nut	R1823	R1823	R1823
353	Nut	R1824	R1824	R1824
366	Clip	R1820	R1820	R1820
432	Clip	R10024958	R10024958	R10024958
433	Clip	R10024986	R10024986	R10024986
434	Nipple	R10024985	R10024985	R10024985
435	Fitting/union	R10025059	R10025059	R10025059
436	Clip	R10025062	R10025062	R10025062
438	O ring	R10024988	R10024988	R10024988
439	Washer	R10025067	R10025067	R10025067
441	Clip	R10025063	R10025063	R10025063
442	O ring	R10025065	R10025065	R10025065
443	O ring	R10025064	R10025064	R10025064
444	Washer	R10025066	R10025066	R10025066
521	NTC sensor	R10027351	R10027351	R10027351
600	Hydraulic control cable	R10026331	R10026331	R10026331

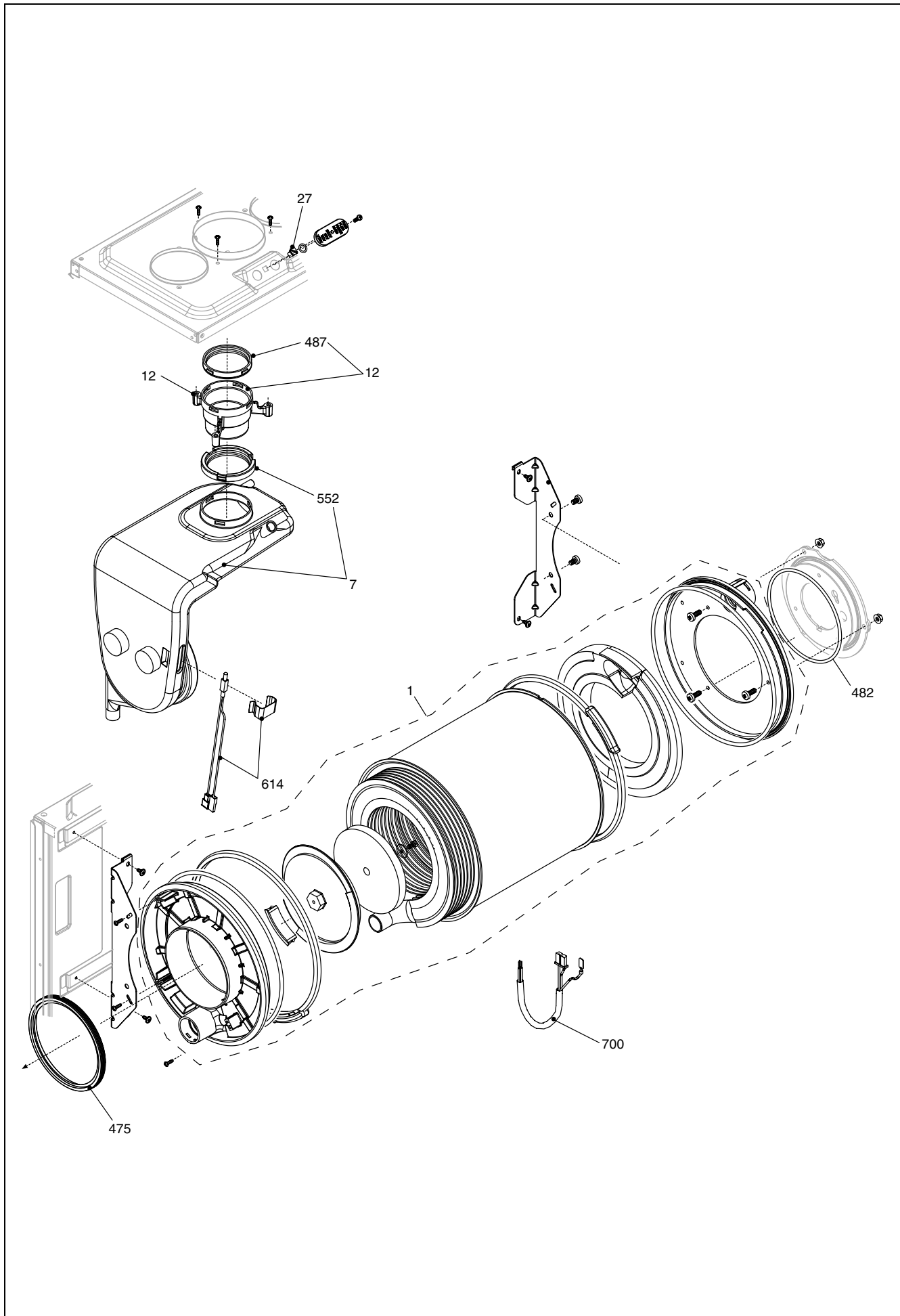


POS.	DESCRIPTION	25 He	30 He	35 He
1	Expansion vessel	R2573	R2573	R2573
2	Pipe	R10025188	R10025188	R10025188
3	Pump	R10027571	R10027571	R10027258
4	Pump cable	R10026338	R10026338	R10026338
5	Air vent bottle	R10025485	R10025485	R10025485
6	Pipe	R10026264	R10026264	R10026264
7	Pipe	R10026267	R10026267	R10026267
9	Pipe	R10029457	R10029458	R10029458
10	Pipe	R10027146	R10027146	R10027146
17	Air venting plug	R10029306	R10029306	R10029306
25	Siphon	R10028405	R10028405	R10028405
26	Flexible pipe	R10027191	R10027191	R10027191
27	Flexible pipe	R10027192	R10027192	R10027192
66	Flexible pipe	R10026272	R10026272	R10026272
69	Pressure gauge	R10027135	R10027135	R10027135
71	Pipe	R10028516	R10028515	R10028515
72	Drain tap	R01005137	R01005137	R01005137
73	Cock	R10028431	R10028431	R10028431
200	Washer	R5023	R5023	R5023
201	Washer	R5026	R5026	R5026
287	High limit thermostat	R2258	R2258	R2258
290	Clip	R2165	R2165	R2165
343	Plug	R2216	R2216	R2216
372	Clip	R2588	R2588	R2588
476	O ring	R10026324	R10026324	R10026324
477	Split pin	R10026269	R10026269	R10026269
478	NTC sensor	R10026273	R10026273	R10026273
512	Washer	R10027193	R10027193	R10027193





POS.	DESCRIPTION	25 He	30 He	35 He
1	Roomsealed chamber	R10028520	R10028520	R10028520
2	Roomsealed chamber side	R10026231	R10026231	R10026231
3	Fan	R10027316	R10027316	R10027051
4	Burner assembly	R10026548	R10026548	R10026548
5	Spark / ignition electrode	R10027864	R10027864	R10027864
6	Condense electrode	R10026316	R10026316	R10026316
12	Gas pipe	R10026318	R10026318	R10026318
13	Gas valve	R10027187	R10027187	R10027187
15	3/4" gas cock	R10020897	R10020897	R10020897
16	Combustion chamber cover	R10026230	R10026230	R10026230
19	Glass stopper assembly	R10026328	R10026328	R10026328
27	Plug	R10023805	R10023805	R10023805
35	Air gas conveyor	R10028420	R10028420	R10028420
39	Pipe	R10028204	R10028203	R10028206
46	Gas diaphragm 6,7	R10027161	R10027162	R10027162
46	Gas diaphragm 5,0	R2112	R2111	R2111
67	Washer Ø 62	R10026322	R10026322	R10026322
69	Tryton	R10027089	R10027089	R10027089
72	Mixer	R10024295	R10024295	R10024295
200	Washer	R5023	R5023	R5023
480	Transformer	R10026236	R10026236	R10026236
486	O ring	R10026325	R10026325	R10026325
497	Washer	R10026796	R10026796	R10026796
613	Kit transformer + cable	20002969	20002969	20002969
700	Transformer cable	R10026337	R10026337	R10026337
701	Gas valve cable	R10026336	R10026336	R10026336
702	Ignition cable	20002045	20002045	20002045
703	Spark electrode cable	R10026558	R10026558	R10026558
704	Sensor cable anti splilling	R10024121	R10024121	R10024121
800	Ng conversion kit	R01005465	R01005466	R01005466
801	LPG conversion kit	R01005447	R01005448	R01005448



POS.	DESCRIPTION	25 He	30 He	35 He
1	Condensing exchanger assembly	R01005366	R01005369	R01005369
7	Conveyor	R10028623	R10028623	R10028623
12	Flue drain connection	R10028421	R10028421	R10028421
27	Nut screw	R10020625	R10020625	R10020625
475	Washer Ø 125	R10026323	R10026323	R10026323
482	Washer	R10026366	R10026366	R10026366
487	Washer Ø 60	R10026345	R10026345	R10026345
552	Washer	R10028426	R10028426	R10028426
614	High limit thermostat	20001564	20001564	20001564
700	Combustion cable	R10028865	R10028865	R10028865

<b>Rev.</b>	<b>data</b>	<b>Descrizione</b>
8.0	01/10/07	E00120070038 : scheda
9.0	03/06/08	E00120070171 : disegno convogliatore scarico fumi E00120080004 : convogliatore aria-gas E0012008190 : trasformatore, termostato fumi, cablaggio



---

Vokera reserve the right to change the specifications without prior notice.  
Consumers' statutory rights are not affected.