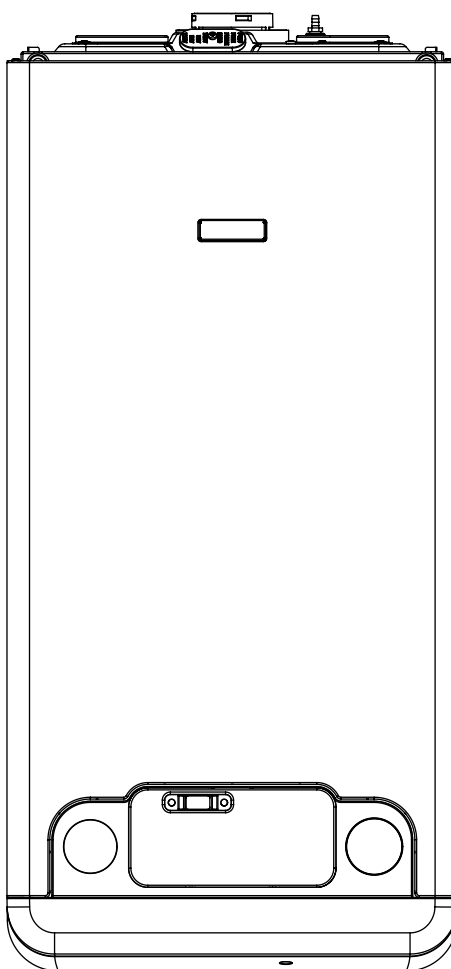
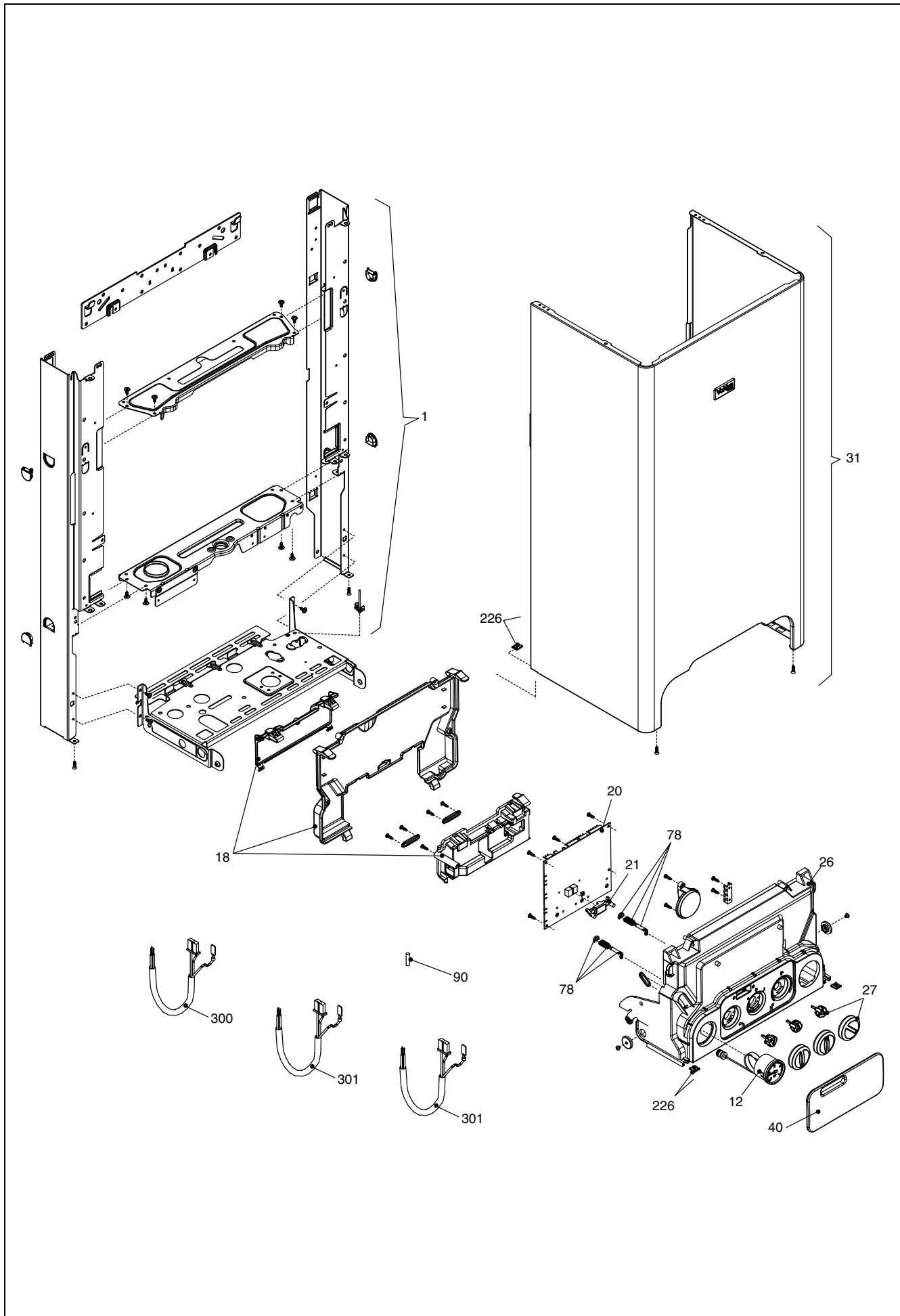


**Wall hung boilers**

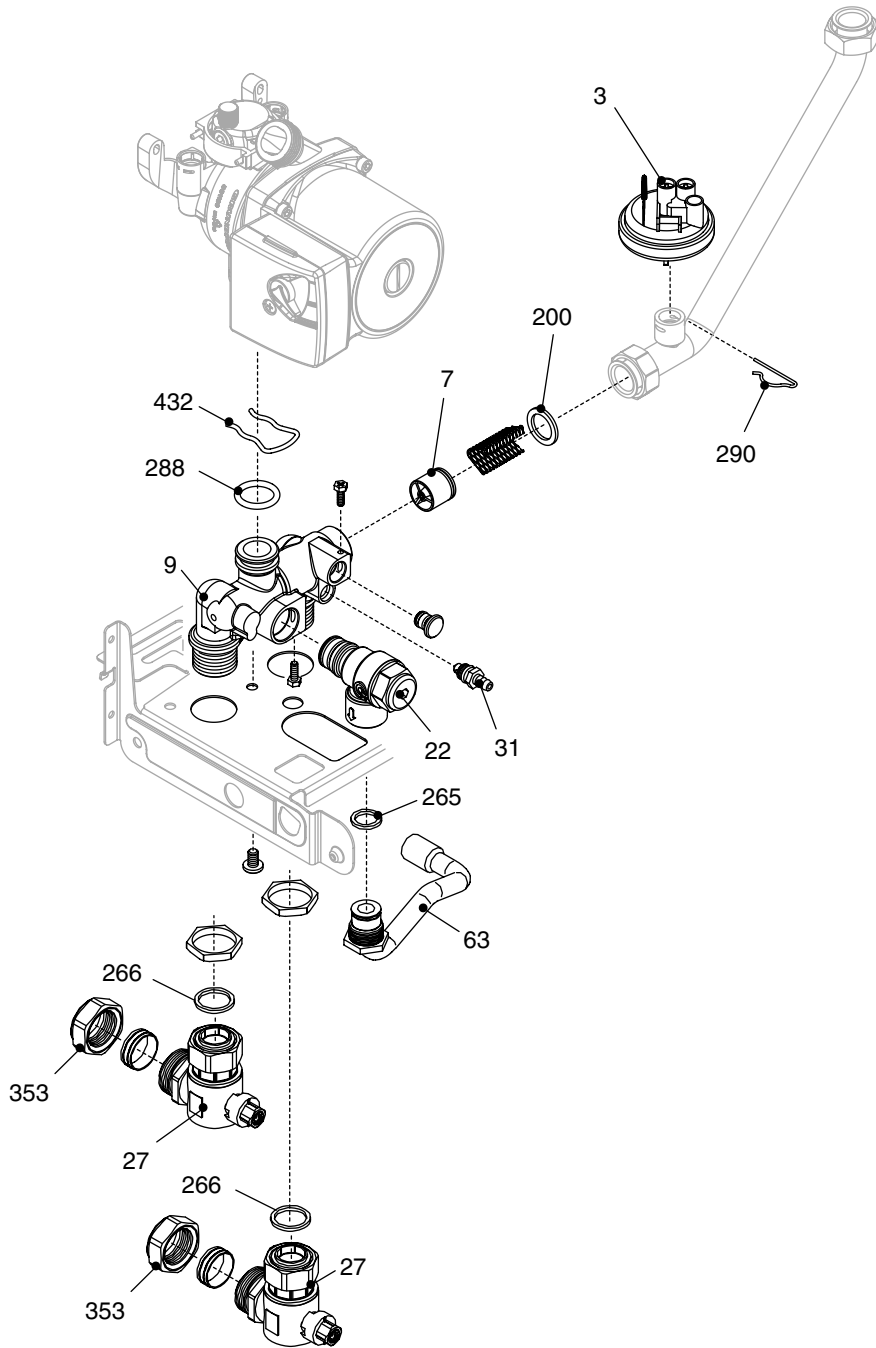
**Mynute 25 HE**



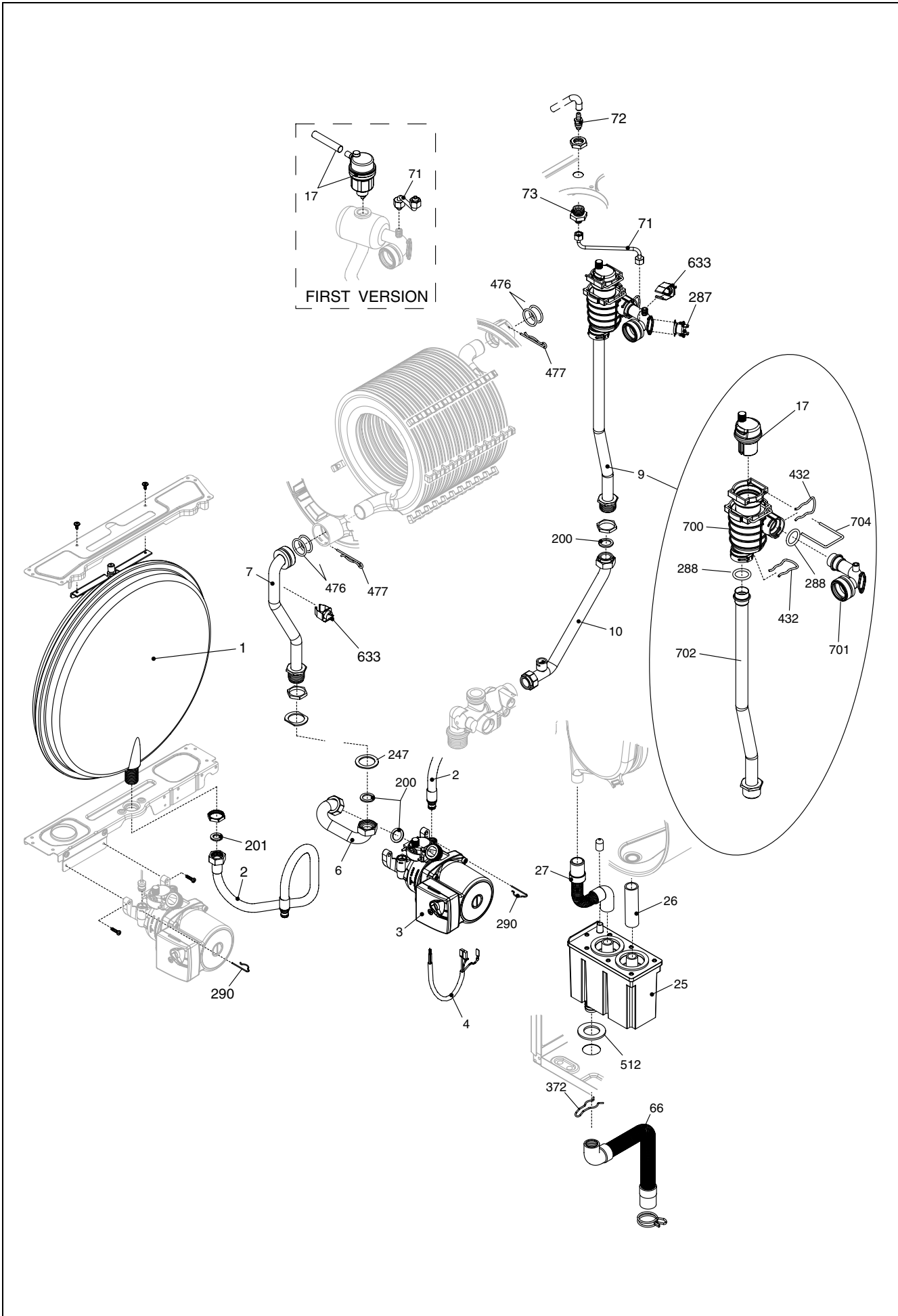
MODEL	PART NUMBER	
	MTN	GPL
Mynute 25 HE	2351013 (876)	2351015 (877)



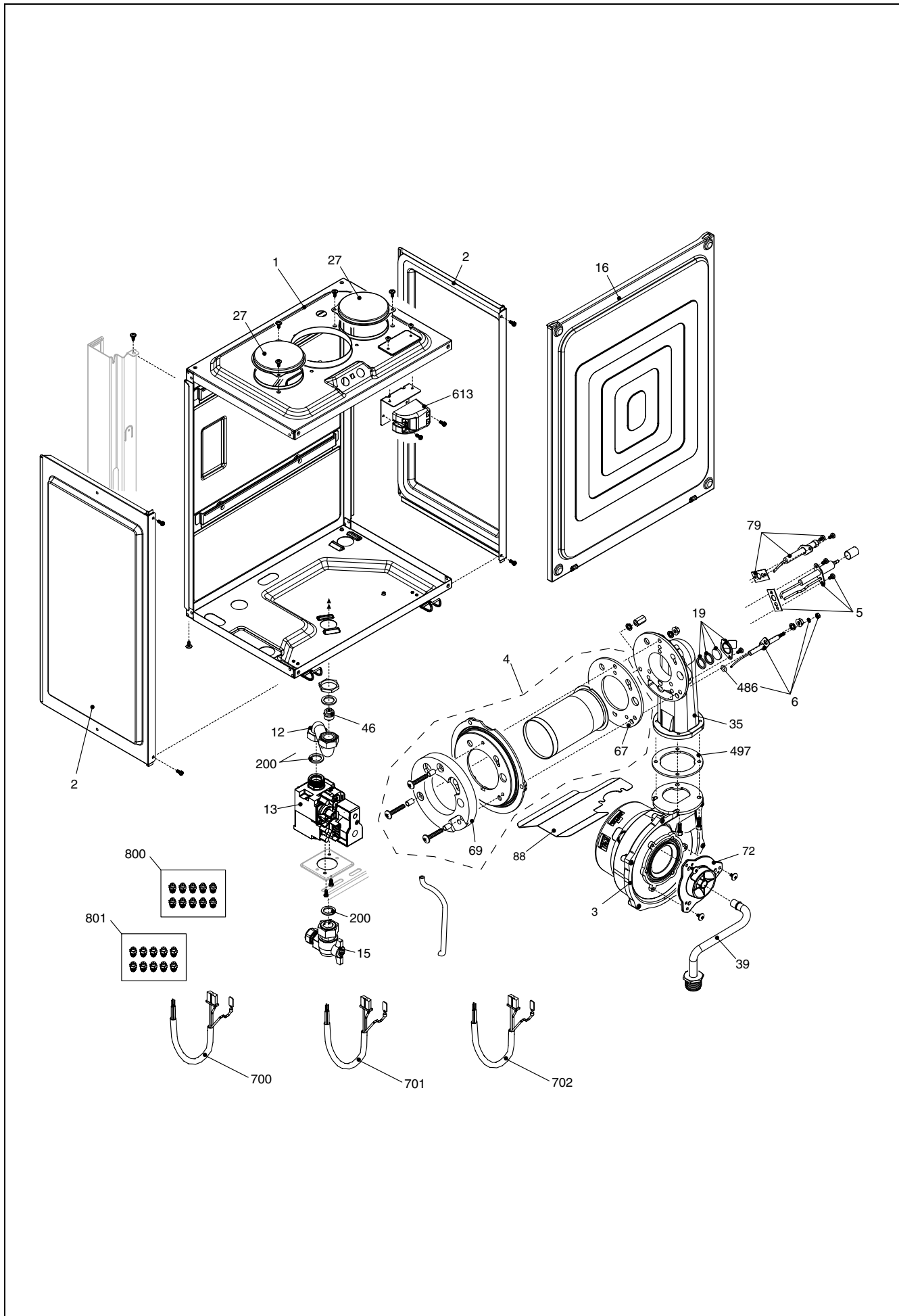
POS.	DESCRIPTION	25
1	Frame assembly	R01005444
12	Pressure gauge	R2564
18	Cover assembly	R10028554
20	Printed circuit board	20001116
21	Led light guide	R10028557
26	Instrumental panel	R10028551
27	Knob assembly	R10028559
31	Case Assembly	R10028448
40	Electrical panel	R10030136
78	Hinge assembly	R01005442
90	Fuse	R3478
226	Clip	R5128
300	Low tension cable	R10028598
301	Wiring harness	R10028593
302	Power wiring harness	R10028596



POS.	DESCRIPTION	25
3	Pressure water switch	R2726
7	Heating by-pass valve	R2047
9	Heating manifold	R10028415
22	Safety valve	R2907
27	Heat water cock	R10029757
31	Drain tap	R01005137
63	Pipe	R10020898
200	Washer	R5023
265	Washer	R5236
266	Washer	R5237
288	Ring	R6898
290	Clip	R2165
432	Clip	R10024958

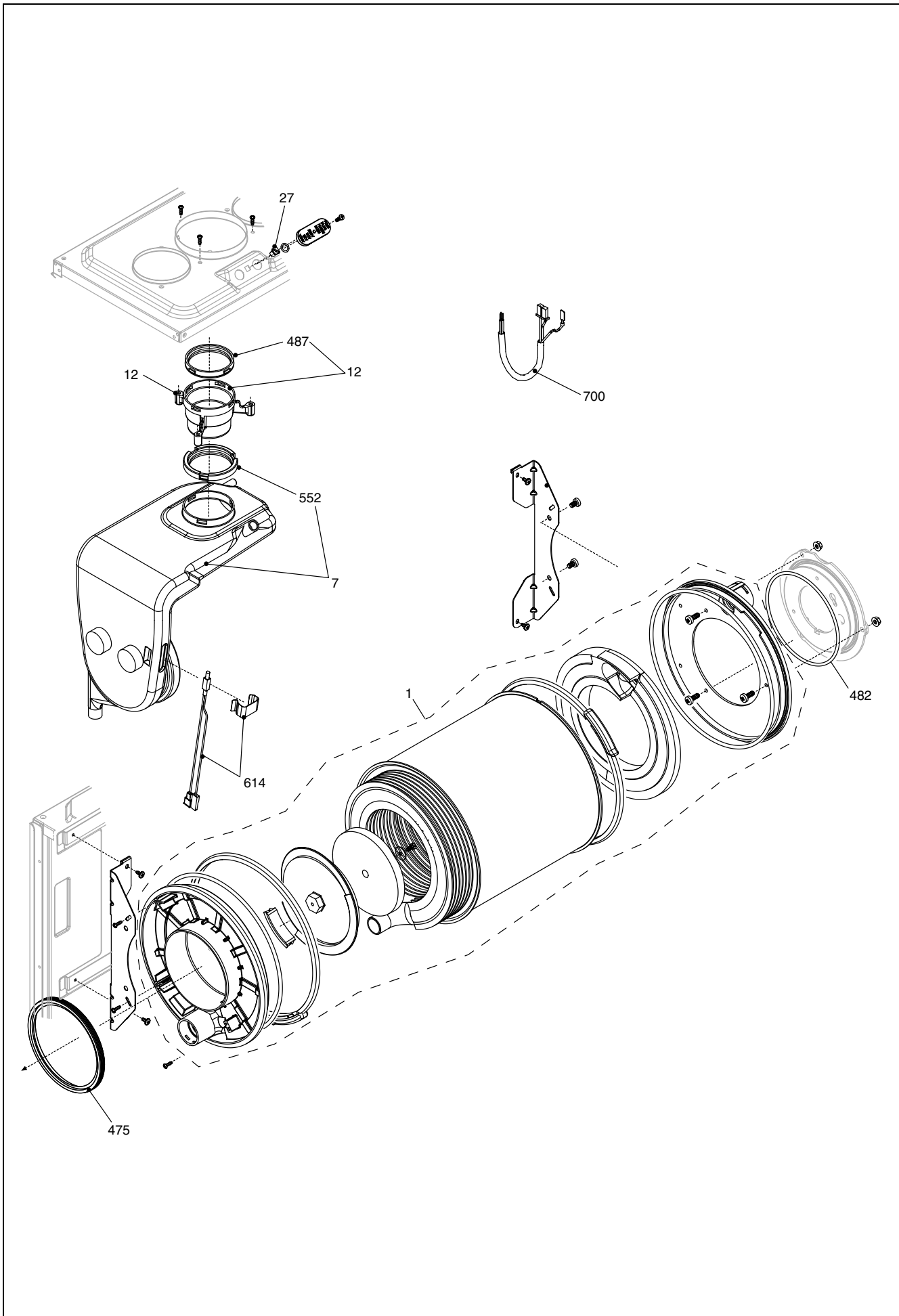


POS.	DESCRIPTION	25
1	Expansion vessel	R2204
2	Pipe	R10023603
3	Pump	R10027571
4	Pump cable	R10028594
6	Pipe	R10028617
7	Pipe	R10026267
9	Pipe	20020182
10	Pipe	R10028906
17	Air venting plug (first version)	R10029306
17	Air venting plug	20019768
25	Siphon	R10028405
26	Flexible pipe	R10028540
27	Flexible pipe	R10027192
66	Flexible pipe	R10028539
71	Pipe (first version)	R10028430
71	Pipe	20020181
72	Drain tap	R01005137
73	Cock	R10028431
200	Washer	R5023
201	Washer	R5026
247	Washer	R5203
287	High limit thermostat	R2258
288	O ring	R6898
290	Clip	R2165
372	Clip	R2588
432	Clip	R10024958
476	O ring	R10026324
477	Split pin	R10026269
512	Washer	R10027193
633	NTC sensor	20003819
700	Air venting plug kit	20019888
701	Pipe	20019764
702	Pipe	20020180
704	Clip	20019767





POS.	DESCRIPTION	25
1	Roomsealed chamber	R10028341
2	Roomsealed chamber side	R10026231
3	Fan	R10028456
4	Burner assembly	R10028537
5	Spark / ignition electrode	R10027864
6	Condense electrode	R10026316
12	Gas pipe	R10028628
13	Gas valve	R10028538
15	3/4" gas cock	R10020897
16	Cover for air box	R10028345
19	Glass stopper assembly	R10026328
27	Plug	20005586
35	Air gas conveyor	R10028420
39	Gas pipe	R10030381
46	Gas diaphragm 7,0	R10027161
46	Gas diaphragm 4,7	R2112
67	Washer Ø 62	R10026322
69	Tryton	R10028425
72	Mixer	20015932
79	Flame detection electrode	R10028422
88	Fan protection	20006411
200	Washer	R5023
486	O ring	R10026325
497	Washer	R10026796
613	Transformer	20002969
700	Gas valve cable	R10028599
701	Wiring harness	20001560
702	Spark electrode cable	R10026558
800	Ng conversion kit	R01005465
801	LPG conversion kit	R01005447



POS.	DESCRIPTION	25
1	Condensing exchanger assembly	R01005443
7	Conveyor	R10028536
12	Flue drain connection	R10028421
27	Nut screw	R10020625
475	Washer Ø 125	R10026323
482	Washer	R10026366
487	Washer Ø 60	R10026345
552	Washer Ø 60	R10028426
614	Fumes thermostat	20001564
700	Combustion cable	R10028595

<b>Rev.</b>	<b>data</b>	<b>Descrizione</b>
1.0	10/05/06	Modifiche varie
2.0	30/10/06	Modifiche varie
3.0	20/03/07	Modifiche varie
4.0	22/01/08	E00120070221 : scheda
5.0	13/02/08	E00120080050 : pressostato, rampa
6.0	17/04/08	E00120080089 : cablaggi, trasformatore, termostato fumi E00120070171 : cambiato disegno convogliatore scarico fumi
7.0	05/09/08	E00120080230 : sonda a contatto – E00120080317 : protezione ventilatore
8.0	12/10/09	E00120090492 : nuovo brand Vokera - E00120090526 : mixer
9.0	16/11/09	E00120090590 : rampa con degasatore – E00120090613 : tappo scatola aria




---

Vokera reserve the right to change the specifications without prior notice.  
Consumers' statutory rights are not affected.