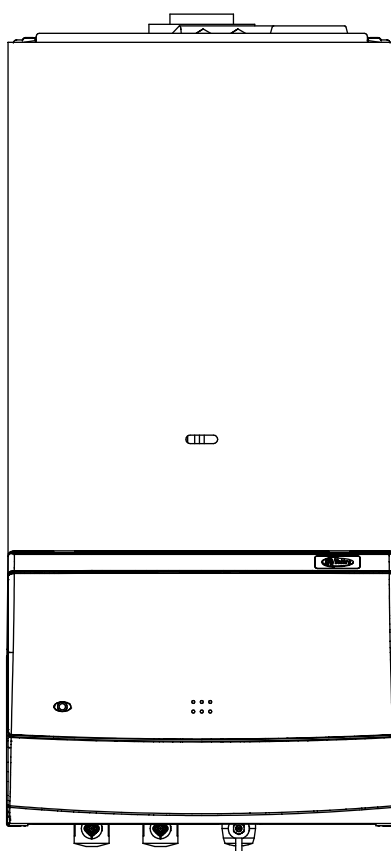
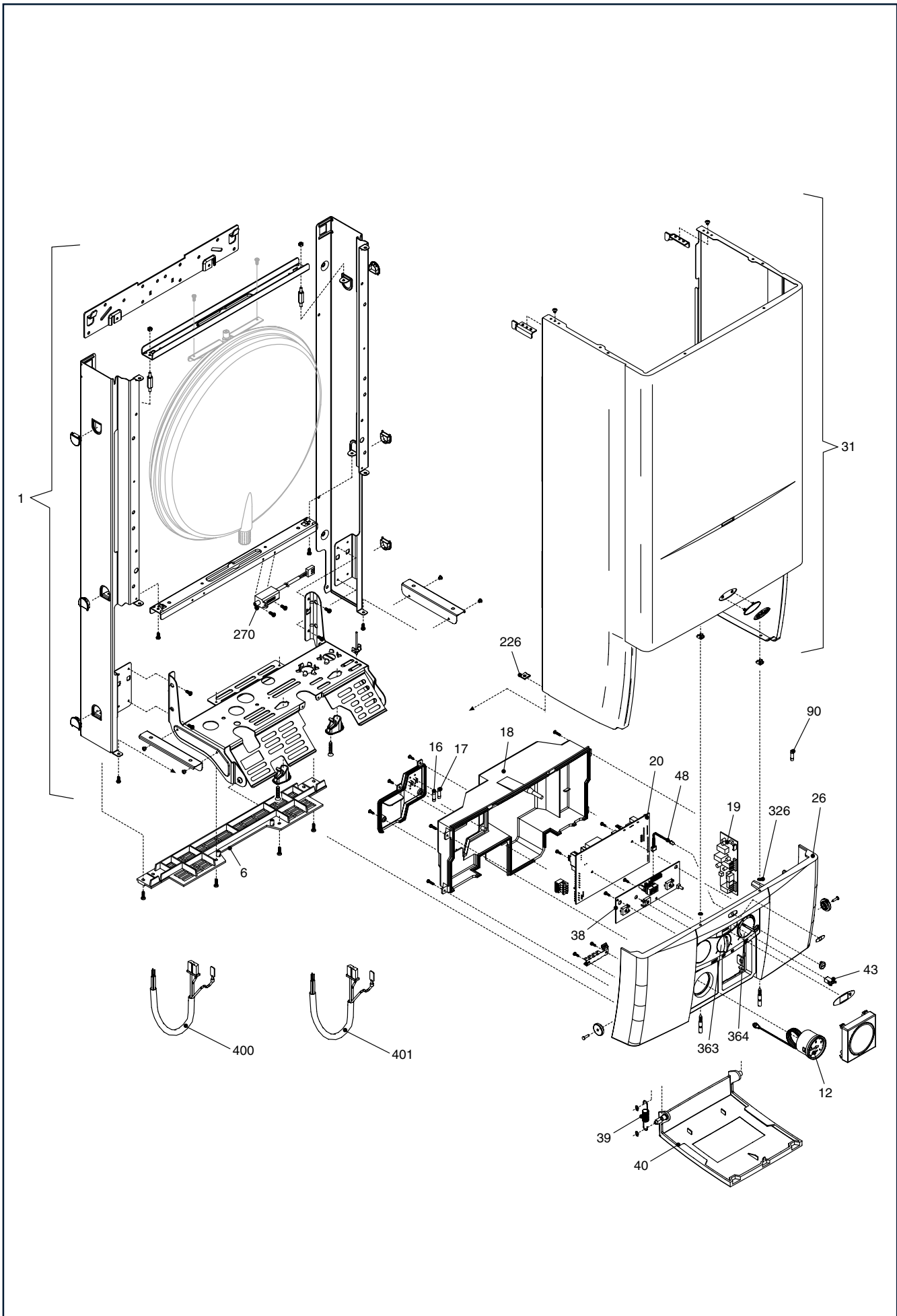


Wall hung boilers

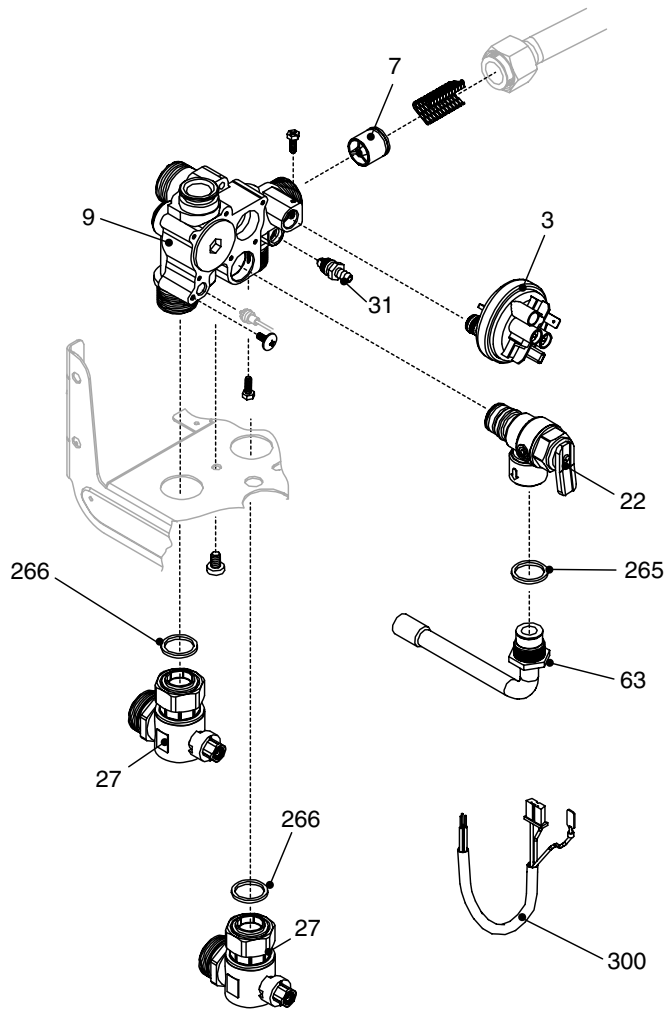
# Mynute 28 E - 35 E



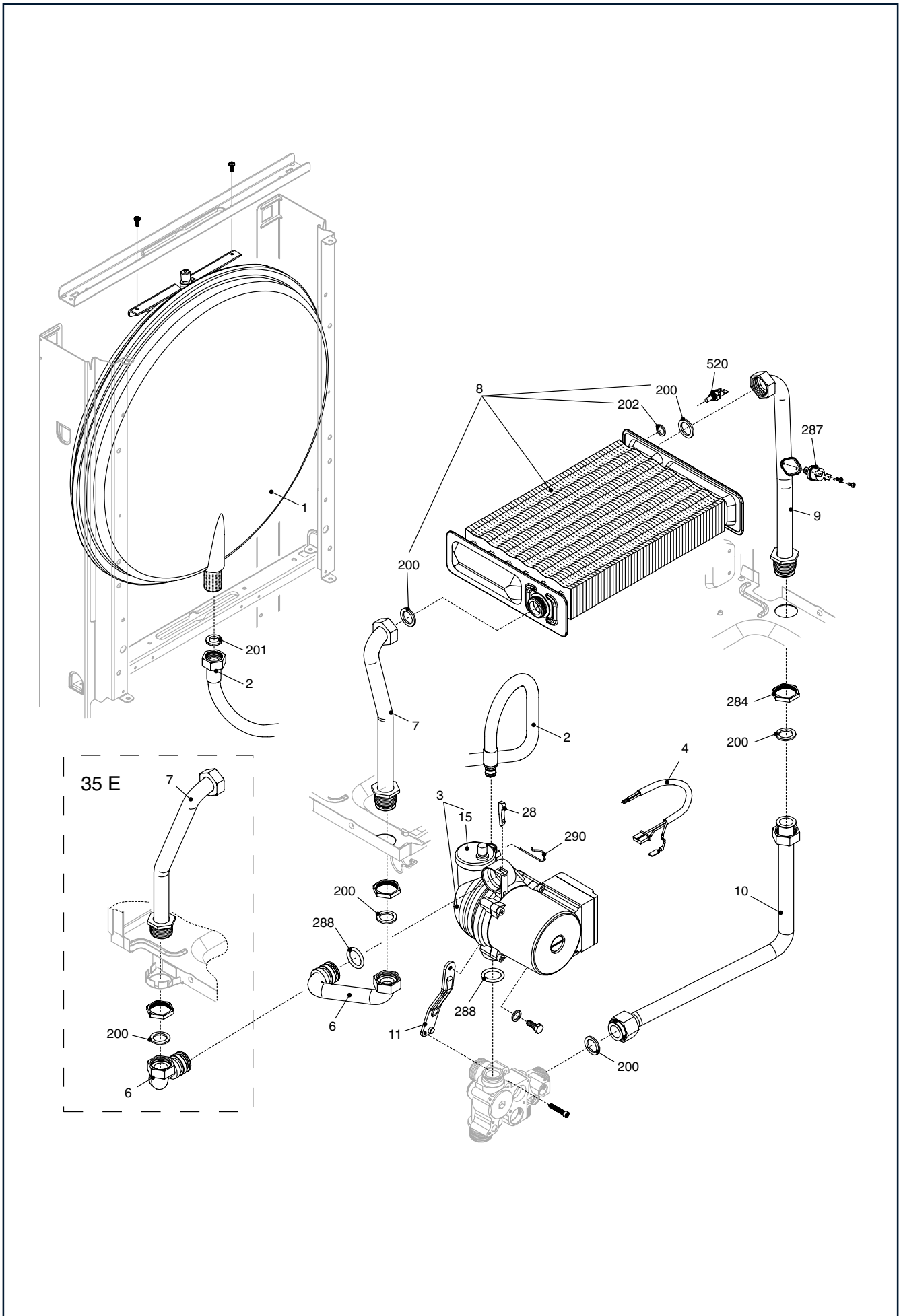
MODEL	PART NUMBER	
	MTN	GPL
MYNUTE 28 E	2350633 (139)	2350635 (140)
MYNUTE 35 E	2350783 (824)	2350785 (825)



POS.	DESCRIPTION	28 E	35 E
1	Frame	R01005134	R01005212
6	Guard	R1913	R1913
12	Quick primer pressure gauge	R1857	R1857
16	2A fuse	R8968	R8968
17	100mA fuse	R1947	R1947
18	Printed Circuit Board cover	R10021849	R10021849
19	Ignition module	R10028891	R10028891
20	Printed Circuit Board	R10024528	R10024731
26	Instrumental panel	R10023051	R10024756
31	Case	R1922	R2062
38	Control printed circuit board	R10024558	R10024558
39	Spring	R1862	R1862
40	Door panel	R10024757	R10024757
43	Push-push cover	R1864	R1864
48	Green-red led	R1858	R1858
90	3 A fuse	R3478	R3478
226	Edge clip	R5128	R5128
326	O-ring	R1869	R1869
362	Transformer	R10022659	R10022659
363	Selector knob kit	R01005072	R01005072
364	Control knob kit	R01005073	R01005073
400	Wiring harness	R10021117	R10021117
401	Wiring harness	R10023066	R10023066



POS.	DESCRIPTION	28 E	35 E
3	Pressure switch	R2726	R2726
7	Heating by-pass valve	R1552	R1552
9	Heating distributor manifold	R10021821	R10021821
22	Safety valve	R1806	R1806
27	Heating cock	R10029757	R10029757
31	Venting plugs kit	R01005137	R01005137
63	Pipe	R10023065	R10023065
265	Washer	R5236	R5236
266	Washer	R5237	R5237
300	Wiring harness	R10023067	R10023067



POS.	DESCRIPTION	28 E	35 E
1	Expansion vessel	R2573	R2573
2	Flexible pipe	R10023603	R10023603
3	Up 15-60 pump	R10020438	R10020438
4	Wiring harness	R1845	R1845
6	Pump pipe	R1917	R10023209
7	Pipe	R1847	R2051
8	Heat exchanger	R2378	R10024580
9	Pipe	R10021041	R10020519
10	Pipe	R10022859	R10024754
11	Bracket	R1642	R1642
15	Automatic air vent bottle	R0439	R0439
28	Pump lock key	R9263	R9263
200	Washer	R5023	R5023
201	Washer	R5026	R5026
202	Washer	R5041	R5041
287	Hight limit thermostat	R2258	R2258
288	O ring	R6898	R6898
290	Clip	R2165	R2165
520	NTC sensor	R10027352	R10027352





## BURNER

Drawing 4

POS.	DESCRIPTION	28 E	35 E
1	Air box bottom	R2073	R10024792
2	Air box side	R1549	-
4	NG Burner	R5317	R10024752
5	Spark electrode	R10025891	R10025891
8	Flame propagation baffle	R2069	-
9	Burner plate	R5172	-
11	Air box clip	R0442	R0442
12	Gas pipe	R1839	R1839
13	Gas valve	R10025074	R10025074
14	Gas pipe	R1840	R1840
15	Gas cock	R1787	R1787
16	Cover assembly	R10020217	R10020430
17	Washer	R5072	R5072
18	Pilot sight glass	R3139	R3139
19	Fixing glass flange	R4007	R4007
20	Gas valve solenoid	R10020838	R10020838
21	Washer	R5905	R5905
22	Air box side	-	R2059
23	Air box side	-	R2060
200	Washer	R5023	R5023
332	Thermostat	-	R2600
351	Brass nut	R1823	R1823
400	Wiring harness	R10021947	R10021947
401	Wiring harness	R10022112	R10024466



## COMBUSTION COMPONENTS

Drawing 5

POS.	DESCRIPTION	28 E	35 E
1	Combustion chamber assembly	R6028	R10024751
2	Rear panel	R5316	R10020518
3	Lateral panel	R5271	R5271
4	Front panel	R5315	R10020517
7	Hood assembly	R5907	R1968
10	Fan	R6492	R10024577
12	Fan to flue connector	R10023183	R10023183
16	Clamp for 60 diam. tube	R5916	R5916
17	Washer clamp	R5917	R5917
19	Fan flue connection	R8083	R8083
20	Block with combustion analysis	R10026933	R10026933
23	Brass cap	R8086	R8086
25	Pressure differential switch kit	R01005272	R2677
100	Wiring harness	R1870	R1870
101	Wiring harness	R10021236	R10020529

<b>REV.</b>	<b>DATA</b>	<b>DESCRIZIONE</b>
1.0	18/04/03	Inserito modello 35 E
2.0	01/03/06	Modifiche varie
3.0	12/03/07	Modifiche varie
4.0	19/02/08	Modifiche varie



---

Vokera reserve the right to change the specifications without prior notice.  
Consumers' statutory rights are not affected.