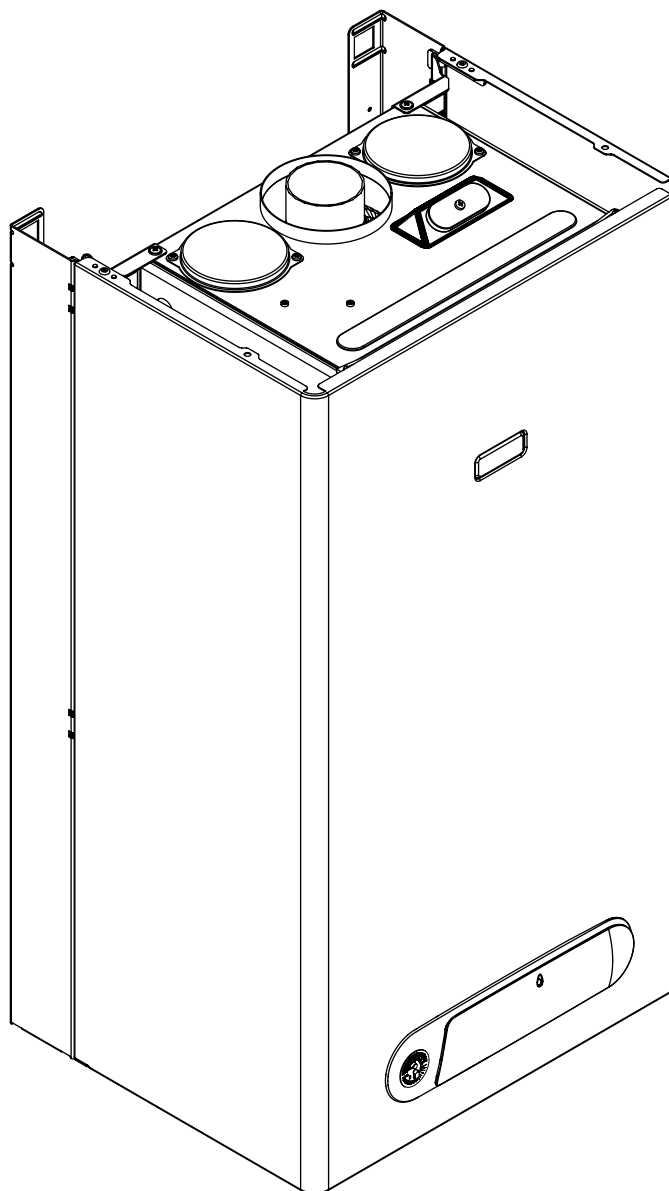
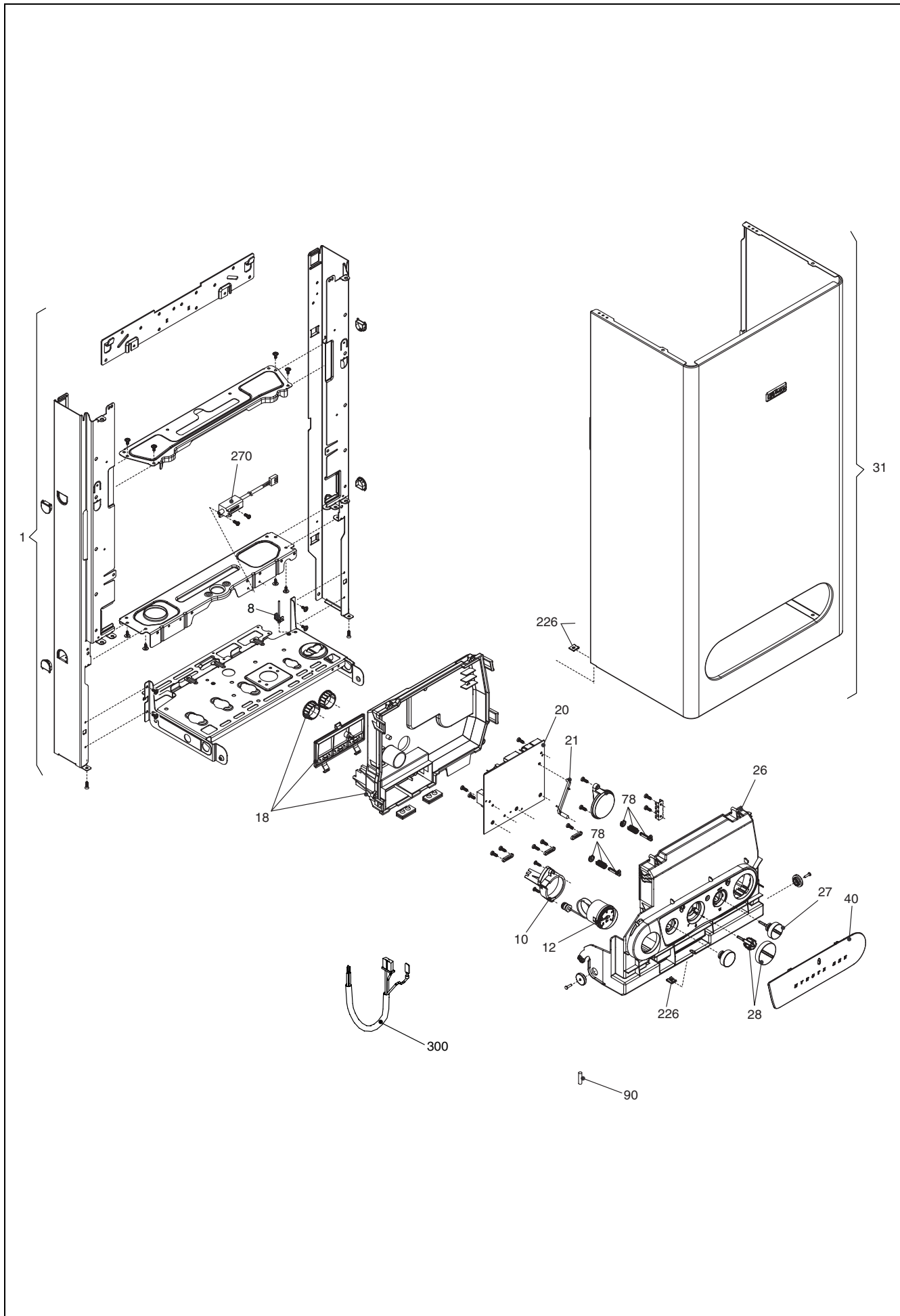


Wall hung boilers

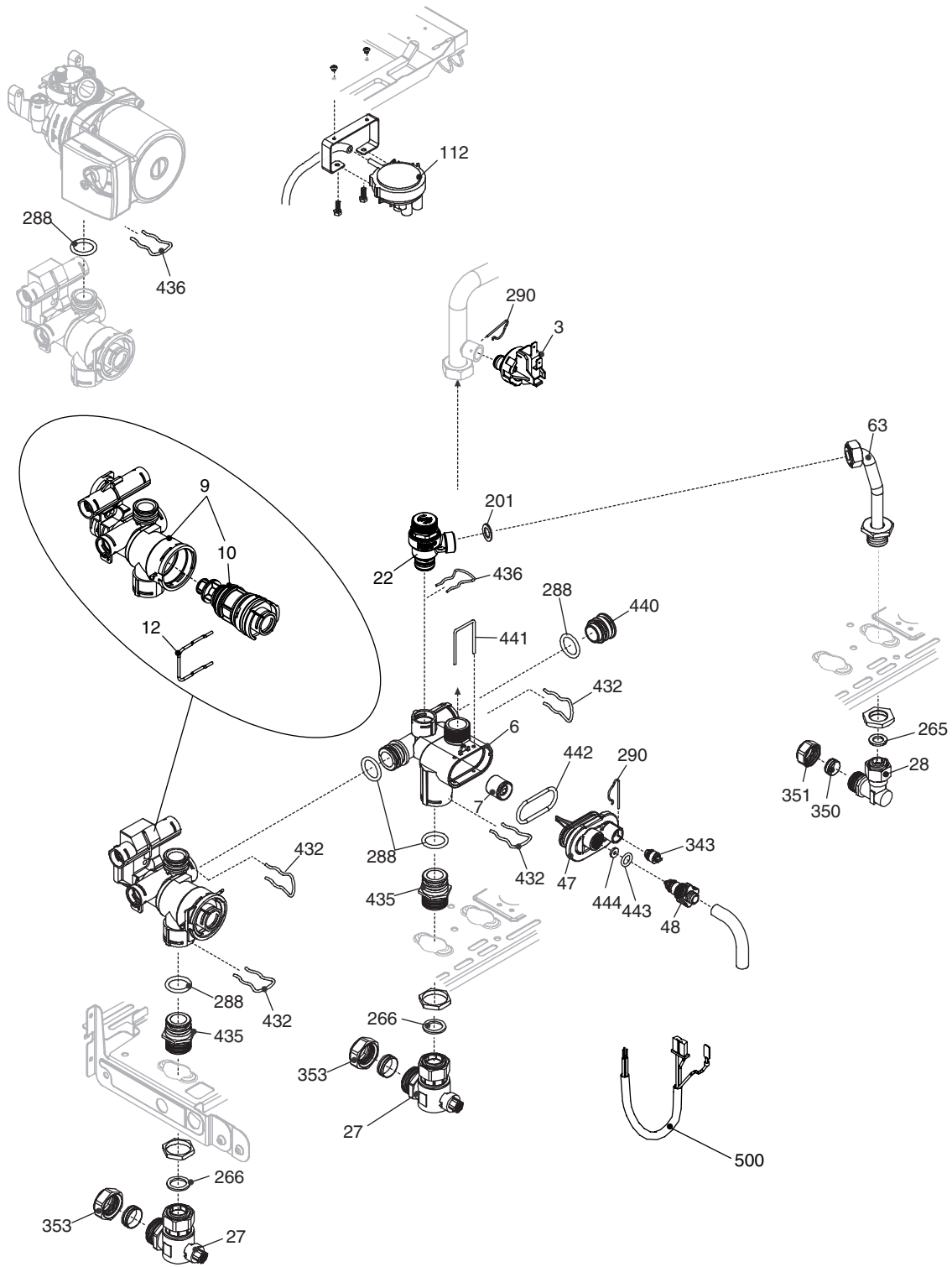
MYNUTE EHE



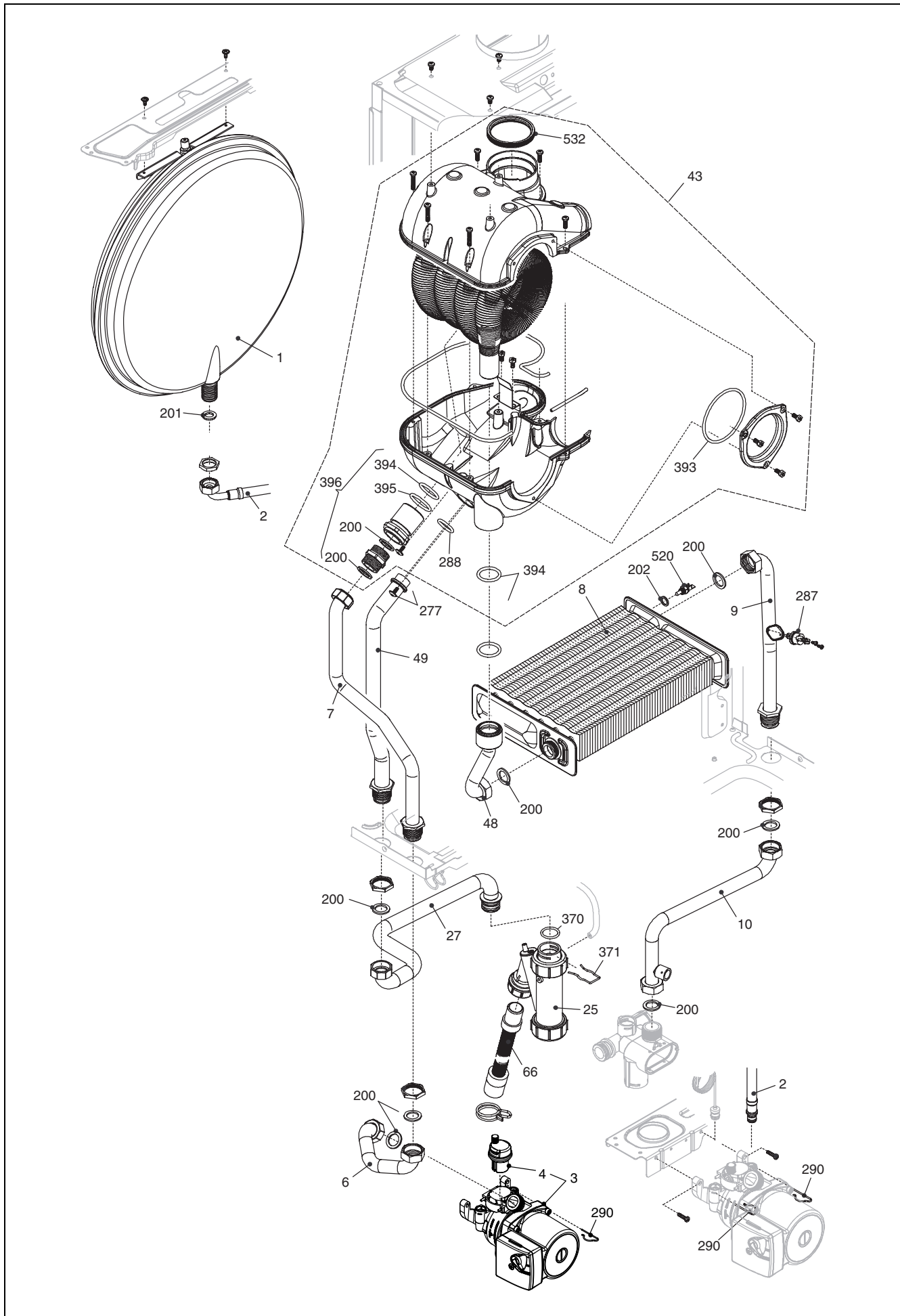
| MODEL | PART NUMBER | |
|----------------------|-----------------|-----|
| | MTN | GPL |
| Mynute 25 EHE | 20000438 | - |
| Mynute 29 EHE | 20001642 | - |
| Mynute 35 EHE | 20001646 | - |



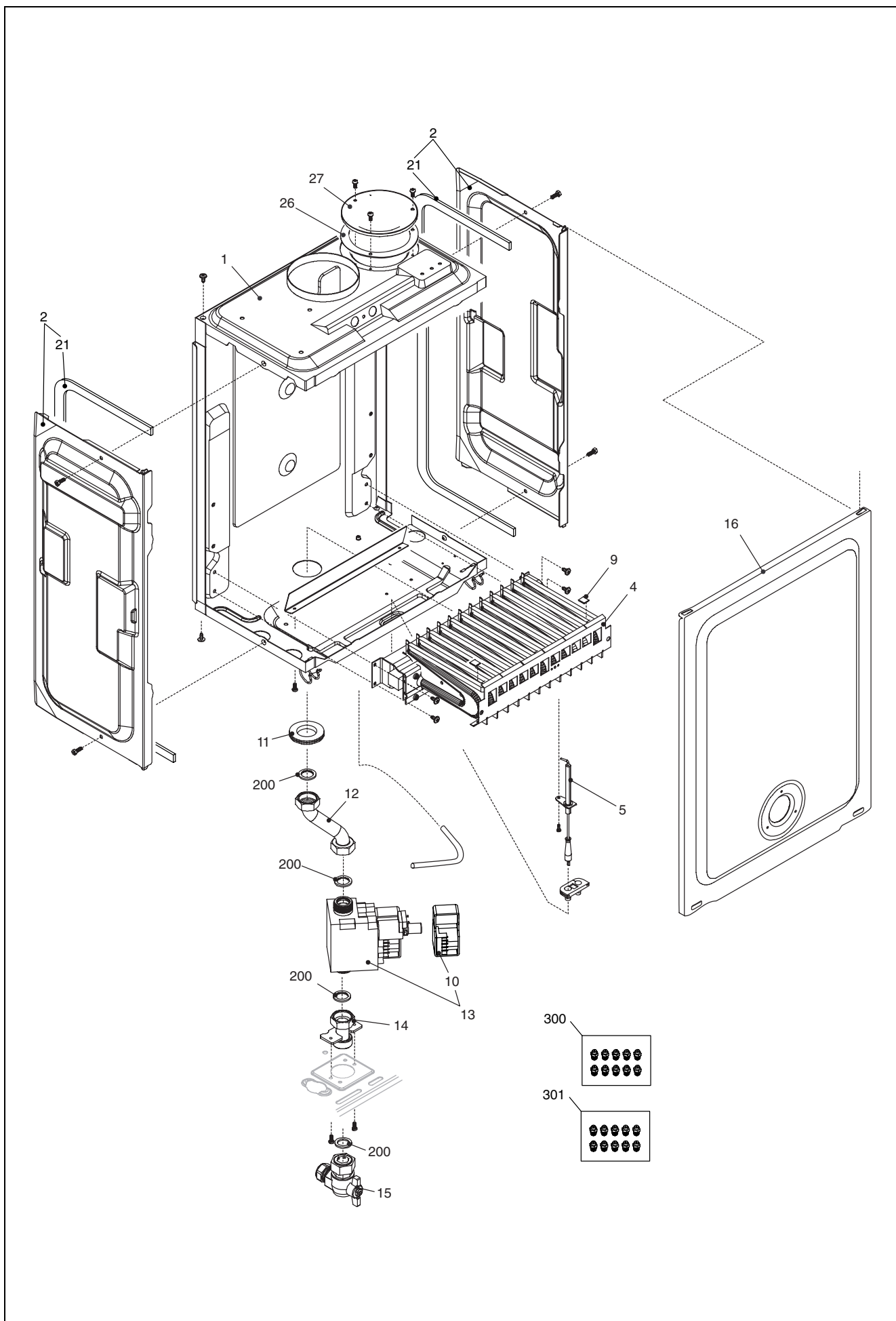
| POS. | DESCRIPTION | 25ehe | 29ehe | 35ehe |
|------|-------------------------------|-----------|-----------|-----------|
| 1 | Frame assembly | R01005403 | R01005406 | R01005410 |
| 10 | Water gauge carrier | R10029105 | R10029105 | R10029105 |
| 12 | Pressure gauge | R10029421 | R10029421 | R10029421 |
| 18 | Cover | R10024976 | R10024976 | R10024976 |
| 20 | Printed circuit board CPBTR04 | R10030505 | R10030505 | R10030505 |
| 21 | Led light guide | R10023816 | R10023816 | R10023816 |
| 26 | Fixing flange | 20000773 | 20000773 | 20000773 |
| 27 | Knob | R10030335 | R10030335 | R10030335 |
| 28 | Knob assembly | R10030336 | R10030336 | R10030336 |
| 31 | Case | R10026164 | R10026179 | R10028025 |
| 40 | Door panel | 20000774 | 20000774 | 20000774 |
| 78 | Hinge assembly | R01005442 | R01005442 | R01005442 |
| 90 | Fuse | R3478 | R3478 | R3478 |
| 226 | Clip | R5128 | R5128 | R5128 |
| 270 | Ignition transformer TR2 | R10021272 | R10021272 | R10021272 |
| 300 | Wiring harness | R10023840 | R10023840 | R10023840 |



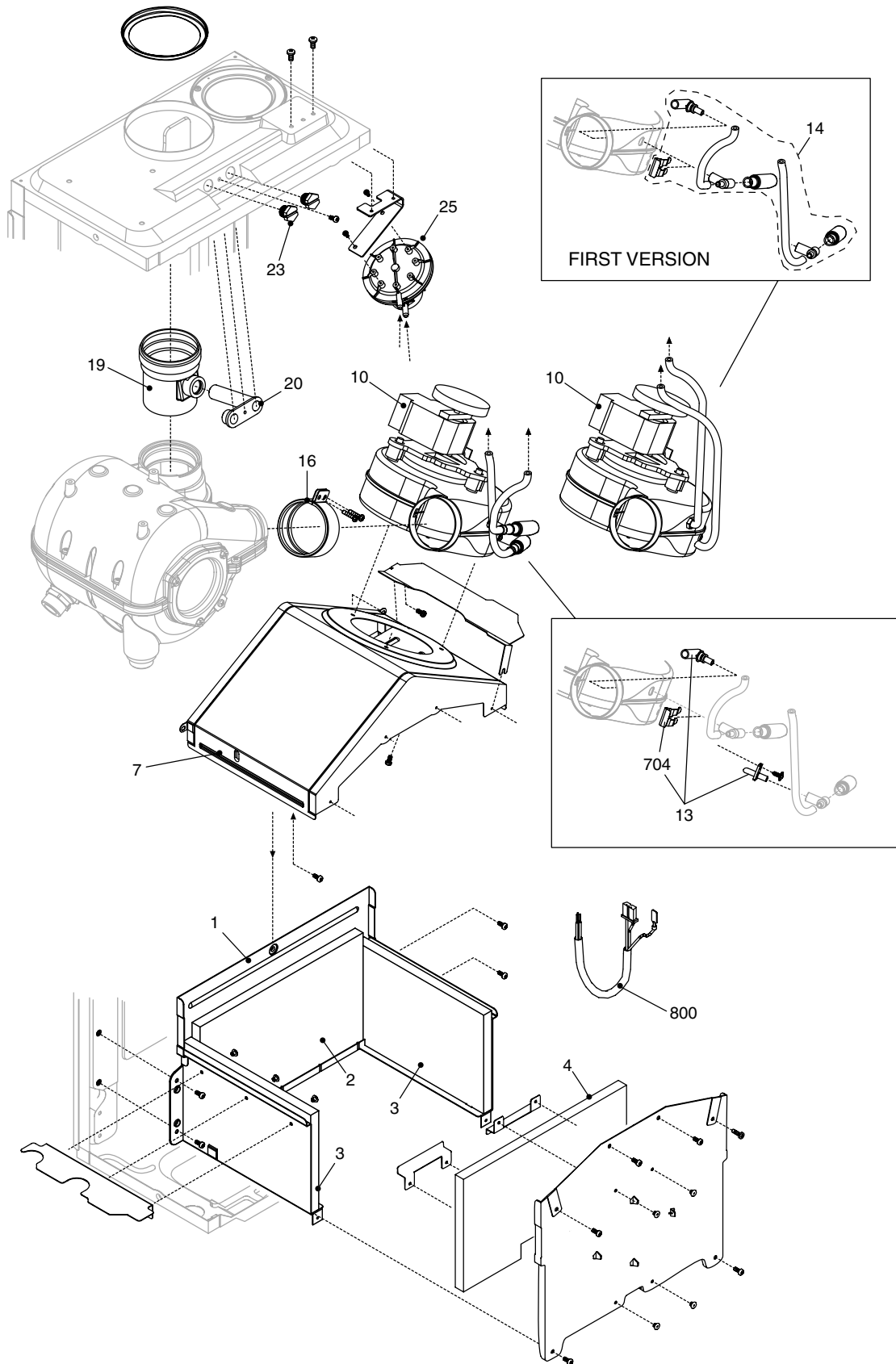
| POS. | DESCRIPTION | 25ehe | 29ehe | 35ehe |
|------|--------------------------------|-----------|-----------|-----------|
| 3 | Pressure water switch | 20046560 | 20046560 | 20046560 |
| 6 | By-pass casing | R10024641 | R10024641 | R10024641 |
| 7 | Heating by-pass valve | R2047 | R2047 | R1552 |
| 9 | Heating manifold and cartridge | R10027768 | R10027768 | R10027768 |
| 10 | 3 way valve cartridge | R10025305 | R10025305 | R10025305 |
| 12 | Clip | R10025450 | R10025450 | R10025450 |
| 22 | Safety valve | 20043820 | 20043820 | 20043820 |
| 27 | Heating cock | R1789 | R1789 | R1789 |
| 28 | Connection | R1790 | R1790 | R1790 |
| 47 | Cover for by-pass assembly | R10024643 | R10024643 | R10024643 |
| 48 | Cock | R10024646 | R10024646 | R10024646 |
| 63 | Pipe | R10026228 | R10026228 | R10026228 |
| 112 | Pressure differential switch | R10027535 | R10027535 | R10027535 |
| 201 | Washer | R5026 | R5026 | R5026 |
| 265 | Washer | R5236 | R5236 | R5236 |
| 266 | Washer | R5237 | R5237 | R5237 |
| 288 | Ring | R6898 | R6898 | R6898 |
| 290 | Clip | R2165 | R2165 | R2165 |
| 343 | Plug | R2216 | R2216 | R2216 |
| 351 | Nut | R1823 | R1823 | R1823 |
| 353 | Nut | R1824 | R1824 | R1824 |
| 432 | Clip | R10024958 | R10024958 | R10024958 |
| 435 | Fitting/union | R10025059 | R10025059 | R10025059 |
| 436 | Clip | R10025062 | R10025062 | R10025062 |
| 440 | Automatic by-pass plug | R10024645 | R10024645 | R10024645 |
| 441 | Clip | R10025063 | R10025063 | R10025063 |
| 442 | O ring | R10025065 | R10025065 | R10025065 |
| 443 | O ring | R10025064 | R10025064 | R10025064 |
| 444 | Washer | R10025066 | R10025066 | R10025066 |
| 500 | Hydraulic control cable | R10027758 | R10027758 | R10027758 |



| POS. | DESCRIPTION | 25ehe | 29ehe | 35ehe |
|------|--------------------------|-----------|-----------|-----------|
| 1 | Expansion vessel | R2204 | R2573 | R2573 |
| 2 | Pipe | R10025188 | R10025188 | R10025188 |
| 3 | Pump | R10027571 | R10027571 | R10027258 |
| 4 | Air vent bottle | R10025485 | R10025485 | R10025485 |
| 6 | Pipe | R10027541 | R10027566 | R10027741 |
| 7 | Pipe | R10024312 | R10024130 | R10024519 |
| 8 | Exchanger | R2381 | R2378 | R10020513 |
| 9 | Pipe | R10021041 | R10021041 | R10020519 |
| 10 | Pipe | R10027542 | R10027567 | R10027742 |
| 25 | Siphon | R10027546 | R10027546 | R10027546 |
| 27 | Pipe | 20066456 | 20066460 | 20066463 |
| 43 | Condensing unit assembly | R01005411 | R01005411 | R01005411 |
| 48 | Pipe | R10024311 | R10024129 | R10024518 |
| 49 | Pipe | R10024313 | R10024131 | R10024520 |
| 66 | Flexible pipe | R10027545 | R10027545 | R10027545 |
| 200 | Washer | R5023 | R5023 | R5023 |
| 201 | Washer | R5026 | R5026 | R5026 |
| 202 | Washer | R5041 | R5041 | R5041 |
| 277 | Screw | R6903 | R6903 | R6903 |
| 287 | Hight limit thermostat | R2258 | R2258 | R2258 |
| 288 | Ring | R6898 | R6898 | R6898 |
| 290 | Clip | R2165 | R2165 | R2165 |
| 370 | O ring | R10023533 | R10023533 | R10023533 |
| 371 | Clip | R10023532 | R10023532 | R10023532 |
| 393 | O ring | R10024141 | R10024141 | R10024141 |
| 394 | O ring | R10024142 | R10024142 | R10024142 |
| 395 | O ring | R10024143 | R10024143 | R10024143 |
| 396 | Connections kit | R01005292 | R01005292 | R01005292 |
| 520 | NTC sensor | R10027352 | R10027352 | R10027352 |
| 532 | Washer | R10027540 | R10027540 | R10027540 |



| POS. | DESCRIPTION | 25ehe | 29ehe | 35ehe |
|------|----------------------------|-----------|-----------|-----------|
| 1 | Roomsealed chamber | R10027533 | R10027562 | R10028011 |
| 2 | Roomsealed chamber side | R10024166 | R10024166 | R2059 |
| 4 | N.G. burner | R10027536 | R10027564 | R10028013 |
| 5 | Spark / ignition electrode | R10025985 | R10025985 | R10025985 |
| 9 | Plate | R5172 | R5172 | R5172 |
| 10 | Gas valve solenoid | 20040675 | 20040675 | 20040675 |
| 11 | Fire leader | R5927 | R5927 | R5927 |
| 12 | Pipe | R10027537 | R10027537 | R10028014 |
| 13 | Gas valve | 20035533 | 20035533 | 20035533 |
| 14 | Pipe | R10026703 | R10026703 | R10026703 |
| 15 | 3/4" gas cock | R10020897 | R10020897 | R10020897 |
| 16 | Cover assembly | R10020216 | R10020217 | R10020430 |
| 21 | Washer | R5905 | R5905 | R5905 |
| 26 | Washer | R8975 | R8975 | R8975 |
| 27 | Plug | R8084 | R8084 | R8084 |
| 30 | Roomsealed chamber side | - | - | R2060 |
| 200 | Washer | R5023 | R5023 | R5023 |
| 300 | Ng conversion kit | R01005225 | R01005225 | R01005225 |
| 301 | Lpg conversion kit | R01005407 | R01005407 | R01005407 |



| POS. | DESCRIPTION | 25ehe | 29ehe | 35ehe |
|------|--|-----------|-----------|-----------|
| 1 | Combustion chamber assembly | R10025935 | R10026406 | R10020514 |
| 2 | Back insulatin panel | R5270 | R5316 | R10020518 |
| 3 | Protection | R5271 | R5271 | R5271 |
| 4 | Combustion chamber insulation panel | R5269 | R5315 | R10020517 |
| 7 | Flue draught diverter | R10024310 | R10024125 | R10024473 |
| 10 | Fan | R10024035 | R10024035 | R10024035 |
| 13 | Venturi and pressure tube kit | 20031569 | 20031569 | 20031569 |
| 14 | Venturi kit | 20030209 | 20030209 | 20030209 |
| 16 | Clamp | R10024126 | R10024126 | R10024126 |
| 19 | Pipe | R10024137 | R10024137 | R10024137 |
| 20 | Block with combustion analysis check point | R10026933 | R10026933 | R10026933 |
| 25 | Pressure differential switch | R10020889 | R10020889 | R10020889 |
| 704 | Clamp | 20031570 | 20031570 | 20031570 |
| 800 | Combustion cable | R10027559 | R10027559 | R10027913 |

| Rev. | data | Descrizione |
|-------------|-------------|---|
| 1.0 | 05/03/08 | Aggiunte caldaie 20001642, 20001646 |
| 2.0 | 16/04/08 | E00120080137 : termostato, valvola by-pass, pompa e aggiunte trasformazioni |
| 3.0 | 05/11/2010 | E00120100019 : molletta circolatore – E00120100506 : venturi ventilatore |
| 4.0 | 11/07/2011 | Inserito degasatore del circolatore – E00120110317 : nuova bobina valvola gas |
| 5.0 | 21/10/2011 | E00120110494 : valvola sicurezza 3 bar |
| 6.0 | 13/12/2011 | E001201100694 : pressostato riscaldamento |
| 7.0 | 31/01/2013 | E00120120115 : valvola gas - E00120130049 : Rampa scarico condensa |



Vokera reserve the right to change the specifications without prior notice.
Consumers' statutory rights are not affected.