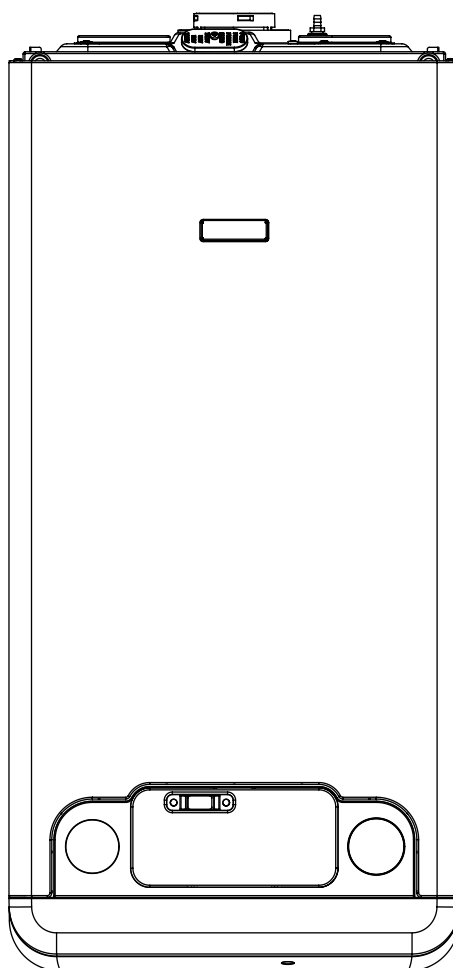
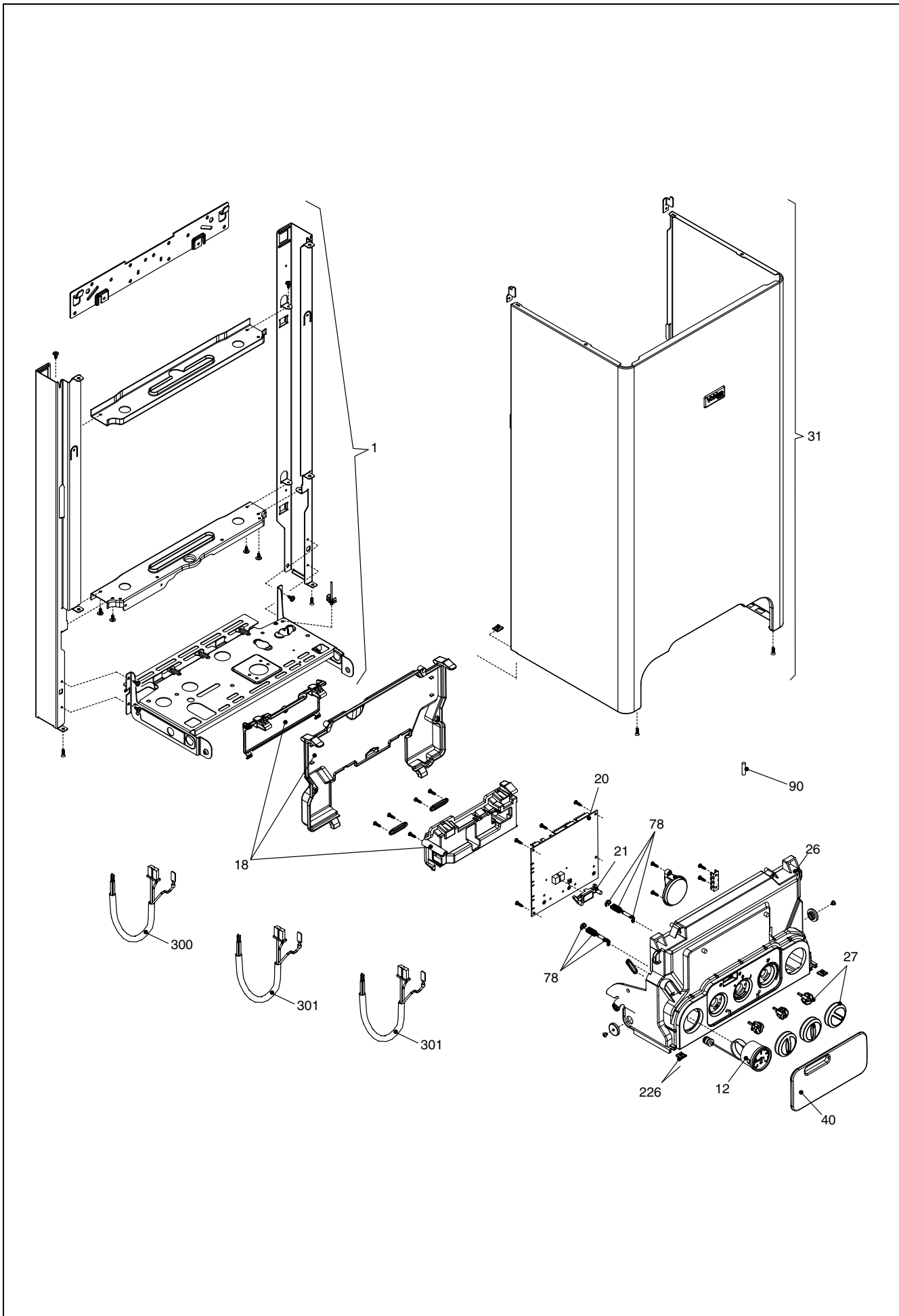


**Wall hung boilers**

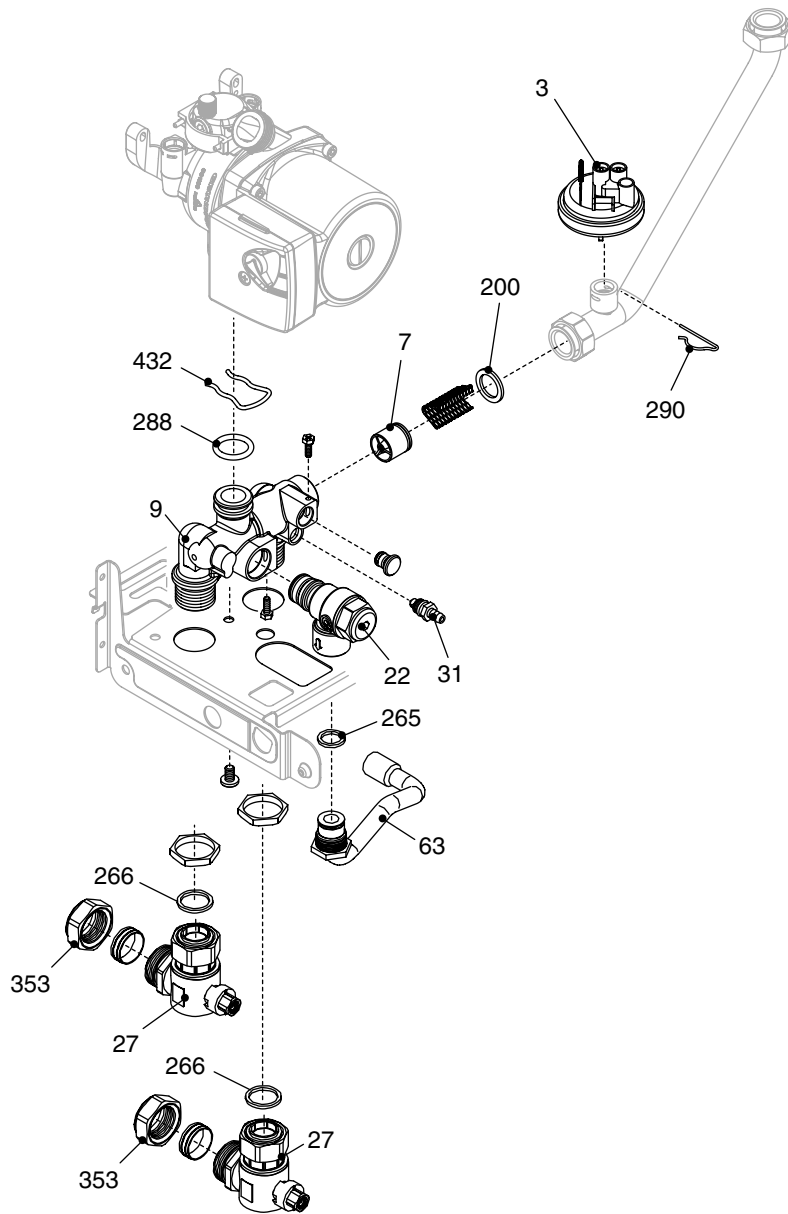
# Mynute HE



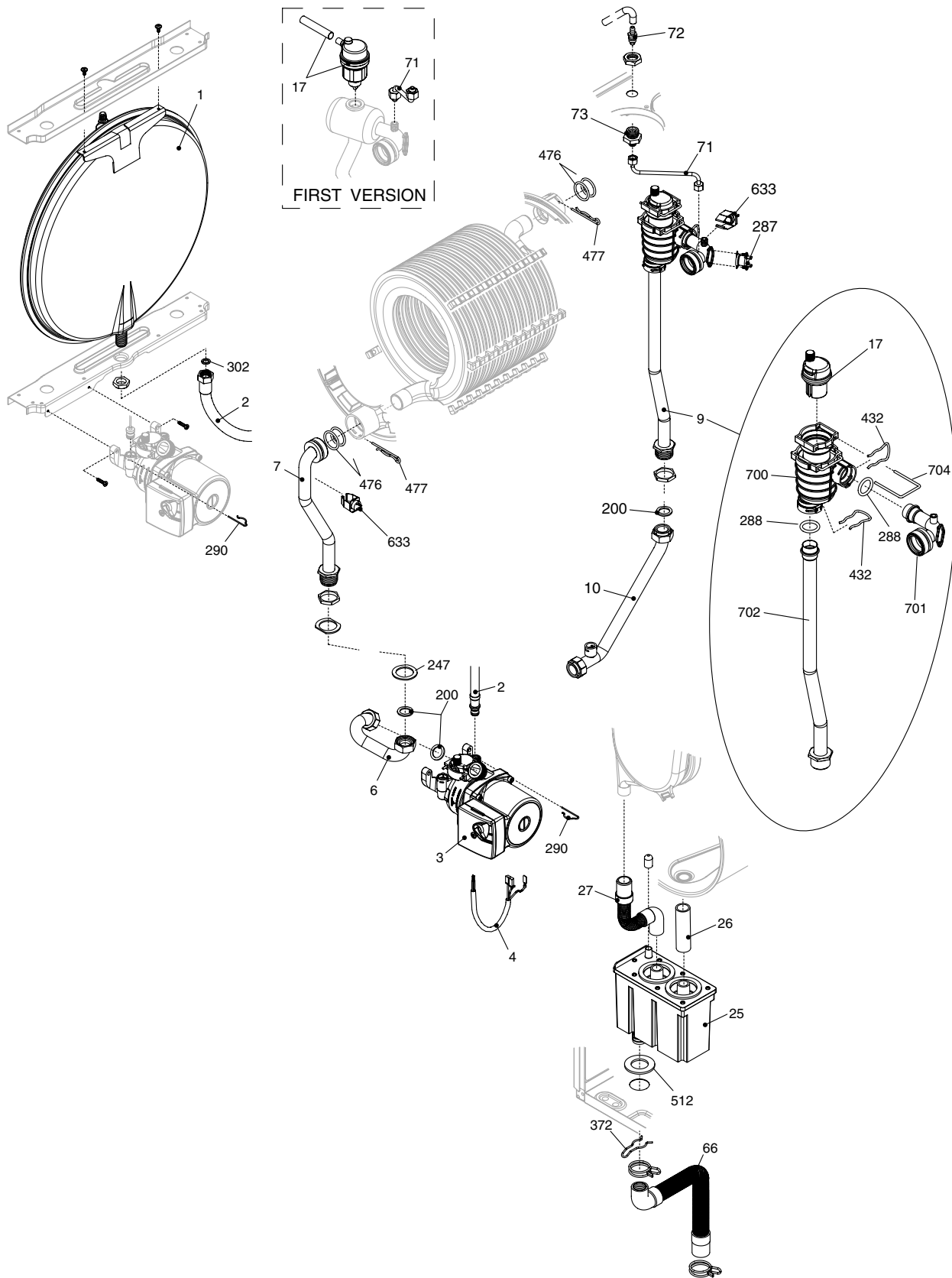
MODEL	PART NUMBER	
	MTN	GPL
Mynute 12 HE	2350983 (870)	2350985 (871)
Mynute 15 HE	2350993 (872)	2350995 (873)
Mynute 20 HE	2351003 (874)	2351005 (875)



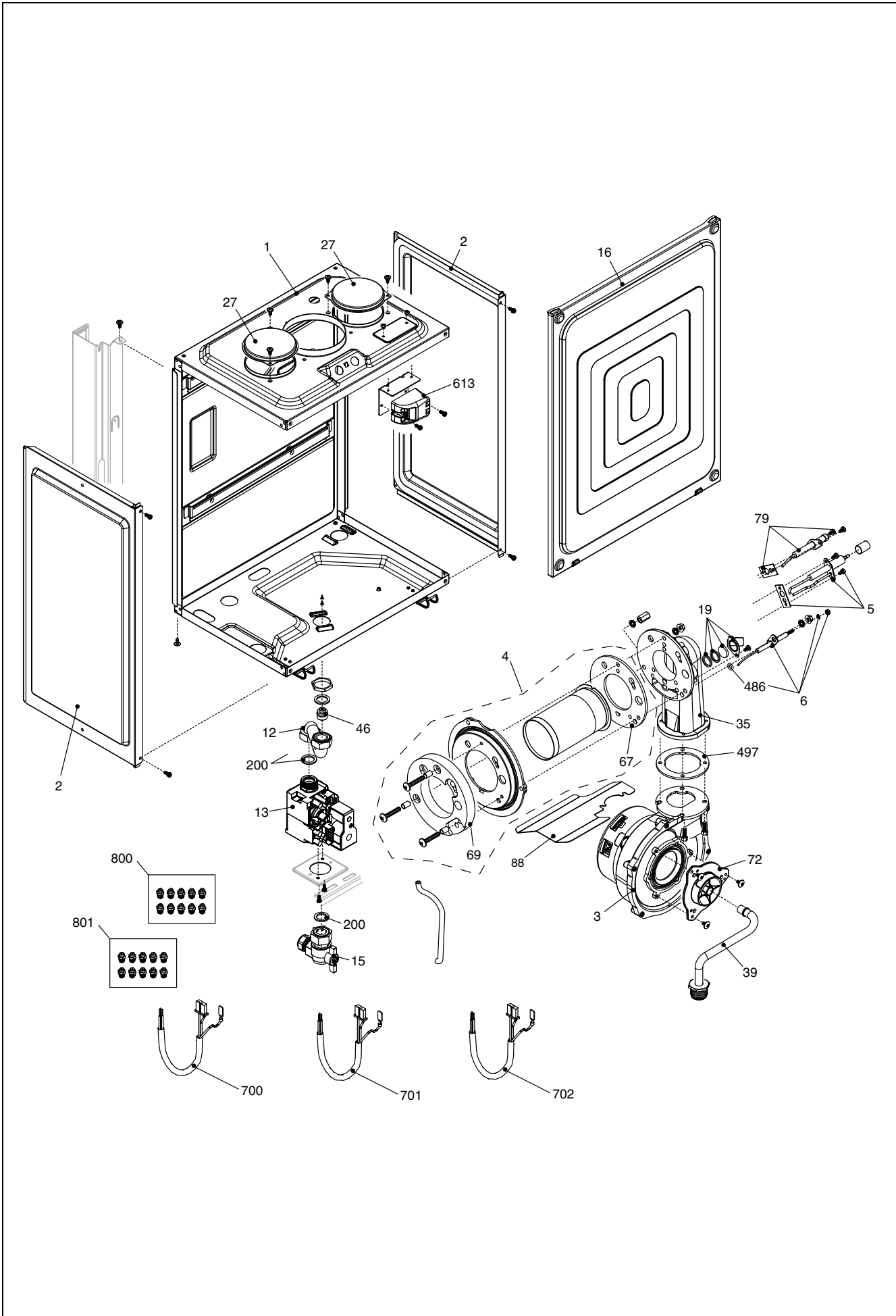
POS.	DESCRIPTION	12	15	20
1	Frame assembly	R01005441	R01005441	R01005441
12	Pressure gauge	R2564	R2564	R2564
18	Cover assembly	R10028554	R10028554	R10028554
20	Printed circuit board	20001116	20001116	20001116
21	Led light guide	R10028557	R10028557	R10028557
26	Front panel	R10028551	R10028551	R10028551
27	Knob assembly	R10028559	R10028559	R10028559
31	Case Assembly	R10028432	R10028432	R10028432
40	Door panel	R10030136	R10030136	R10030136
78	Cover assembly	R01005442	R01005442	R01005442
90	Tdc 180 bs 1362 3a fuse	R3478	R3478	R3478
226	Clip	R5128	R5128	R5128
300	Wiring harness	R10028598	R10028598	R10028598
301	Wiring harness	R10028593	R10028593	R10028593
302	Wiring harness	R10028596	R10028596	R10028596



POS.	DESCRIPTION	12	15	20
3	Pressure switch	R2726	R2726	R2726
7	Heating by-pass valve	R2047	R2047	R2047
9	Heating manifold	R10028415	R10028415	R10028415
22	Safety valve	R2907	R2907	R2907
27	Heating cock	R1789	R1789	R1789
31	Drain tap	R01005137	R01005137	R01005137
63	Pipe	R10020898	R10020898	R10020898
200	Washer	R5023	R5023	R5023
265	Washer	R5236	R5236	R5236
266	Washer	R5237	R5237	R5237
288	Ring	R6898	R6898	R6898
290	Clip	R2165	R2165	R2165
353	Nut	R1824	R1824	R1824
432	Clip	R10024958	R10024958	R10024958

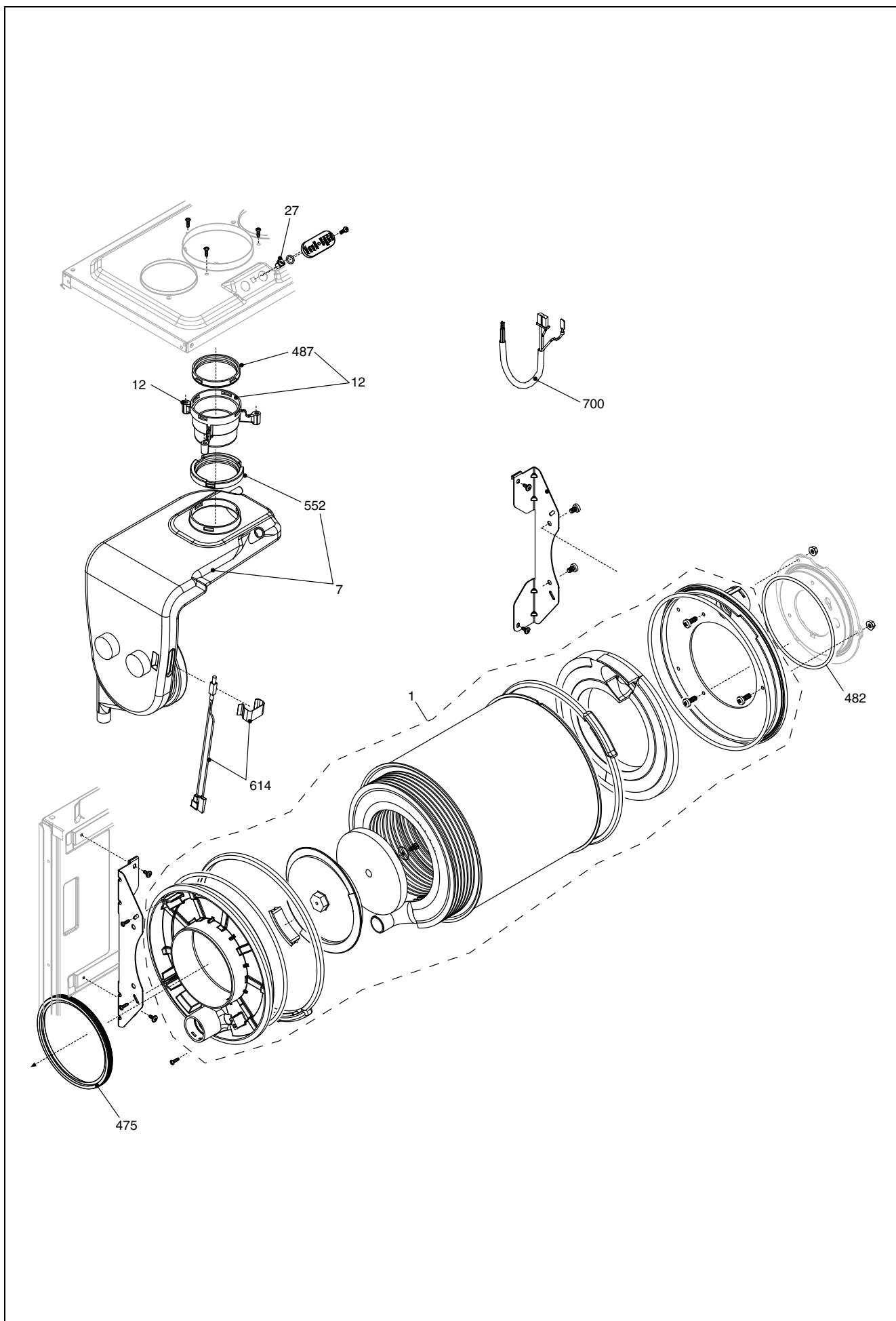


POS.	DESCRIPTION	12	15	20
1	Expansion vessel	R10028535	R10028535	R10028535
2	Pipe	R10028603	R10028603	R10028603
3	Pump	R10027571	R10027571	R10027571
4	Wiring harness (pump)	R10028594	R10028594	R10028594
6	Pipe	R10028428	R10028428	R10028428
7	Pipe	R10026267	R10026267	R10026267
9	Pipe	20020182	20020182	20020182
10	Pipe	R10028904	R10028904	R10028904
17	Air venting plug (first version)	R10029306	R10029306	R10029306
17	Air venting plug	20019768	20019768	20019768
25	Siphon	R10028405	R10028405	R10028405
26	Condensing pipe	R10028540	R10028540	R10028540
27	Flexible pipe	R10027192	R10027192	R10027192
66	Condensing pipe	R10028539	R10028539	R10028539
71	Pipe (first version)	R10028430	R10028430	R10028430
71	Pipe	20020181	20020181	20020181
72	Venting-plug	R01005137	R01005137	R01005137
73	Cock	R10028431	R10028431	R10028431
200	Washer	R5023	R5023	R5023
247	Washer	R5203	R5203	R5203
287	High limit thermostat	R2258	R2258	R2258
288	O ring	R6898	R6898	R6898
290	Clip	R2165	R2165	R2165
302	Washer	R5025	R5025	R5025
372	Clip	R2588	R2588	R2588
432	Clip	R10024958	R10024958	R10024958
476	O ring	R10026324	R10026324	R10026324
477	Split pin	R10026269	R10026269	R10026269
512	Washer	R10027193	R10027193	R10027193
633	Ntc sensor	20003819	20003819	20003819
700	Air venting plug kit	20019888	20019888	20019888
701	Pipe	20019764	20019764	20019764
702	Pipe	20020180	20020180	20020180
704	Clip	20019767	20019767	20019767





POS.	DESCRIPTION	12	15	20
1	Roomsealed chamber	R10028341	R10028341	R10028341
2	Side	R10026231	R10026231	R10026231
3	Fan	R10028456	R10028456	R10028456
4	Burner	R10028537	R10028537	R10028537
5	Spark / ignition electrode	R10027864	R10027864	R10027864
6	Condense electrode	R10026316	R10026316	R10026316
12	Gas pipe	R10028423	R10028423	R10028423
13	Gas valve	R10028538	R10028538	R10028538
15	3/4" gas cock	R10020897	R10020897	R10020897
16	Cover for air box	R10028345	R10028345	R10028345
19	Glass stopper assembly	R10026328	R10026328	R10026328
27	Plug	20005586	20005586	20005586
35	Air gas conveyor	R10028420	R10028420	R10028420
39	Gas pipe	R10030381	R10030381	R10030381
46	Gas diaphragm	R10020265	R10020265	R10020265
46	Gas diaphragm	R10027159	R10027159	R10027159
67	Washer	R10026322	R10026322	R10026322
69	Tryton	R10028425	R10028425	R10028425
72	Mixer	20019125	20019125	20019125
79	Flame detection electrode	R10028422	R10028422	R10028422
88	Fan protection	20006411	20006411	20006411
200	Washer	R5023	R5023	R5023
486	O ring	R10026325	R10026325	R10026325
613	Transformer	20002969	20002969	20002969
700	Wiring harness	R10028599	R10028599	R10028599
701	Wiring harness (gas valve)	20001560	20001560	20001560
702	Spark electrode cable	R10026558	R10026558	R10026558
800	N.G. conversion kit	R01005467	R01005467	R01005467
801	Lpg conversion kit	R01005446	R01005446	R01005446



POS.	DESCRIPTION	12	15	20
1	Condensing exchanger assembly	R01005443	R01005443	R01005443
7	Conveyor	R10028536	R10028536	R10028536
12	Flue drain connection	R10028421	R10028421	R10028421
27	Nut screw	R10020625	R10020625	R10020625
475	Washer	R10026323	R10026323	R10026323
482	Washer	R10026366	R10026366	R10026366
487	Washer	R10026345	R10026345	R10026345
552	Washer	R10028426	R10028426	R10028426
614	Fumes thermostat	20001564	20001564	20001564
700	Wiring harness (gas valve)	R10028595	R10028595	R10028595

<b>Rev.</b>	<b>data</b>	<b>Descrizione</b>
1.0	10/05/06	Modifiche varie
2.0	30/10/06	Modifiche varie
3.0	20/03/07	Modifiche varie
4.0	22/01/08	E00120070221 : scheda
5.0	13/02/08	E00120080050 : pressostato, rampa
6.0	17/04/08	E00120080089 : cablaggi, trasformatore, termostato fumi E00120070171 : cambiato disegno convogliatore scarico fumi
7.0	05/09/08	E00120080230 : sonda a contatto – E00120080317 : protezione ventilatore
8.0	09/10/09	E00120090492: nuovo brand Vokera - E00120090526: mixer
9.0	16/11/09	E00120090590 : rampa con degasatore – E00120090613 : tappo scatola aria




---

Vokera reserve the right to change the specifications without prior notice.  
Consumers' statutory rights are not affected.