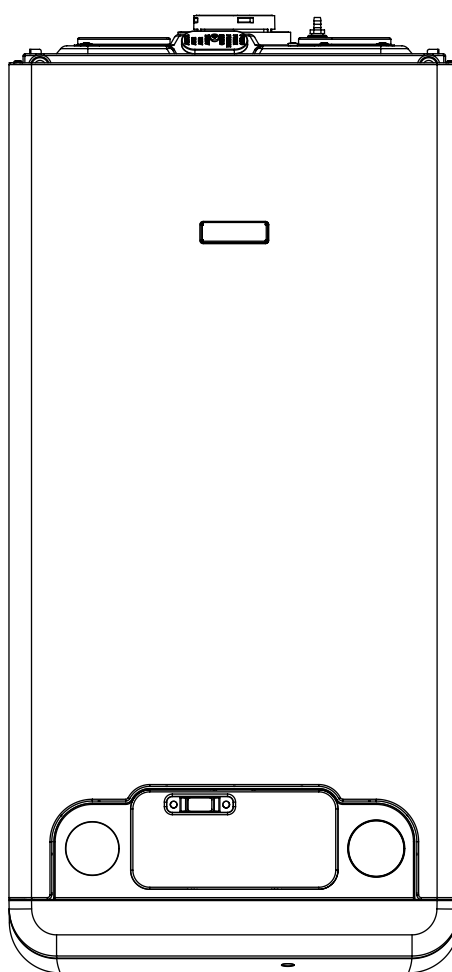
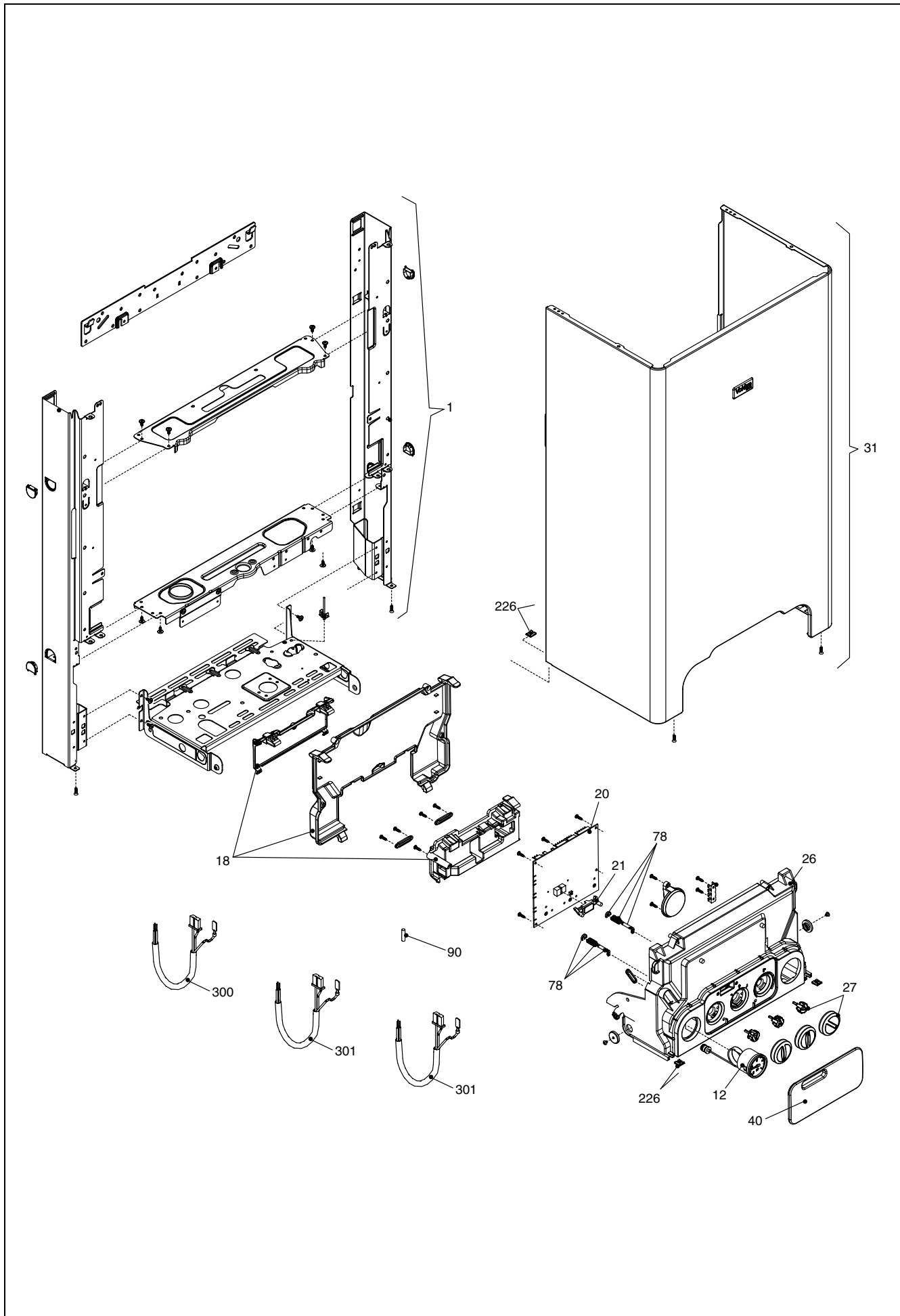


Wall hung boilers

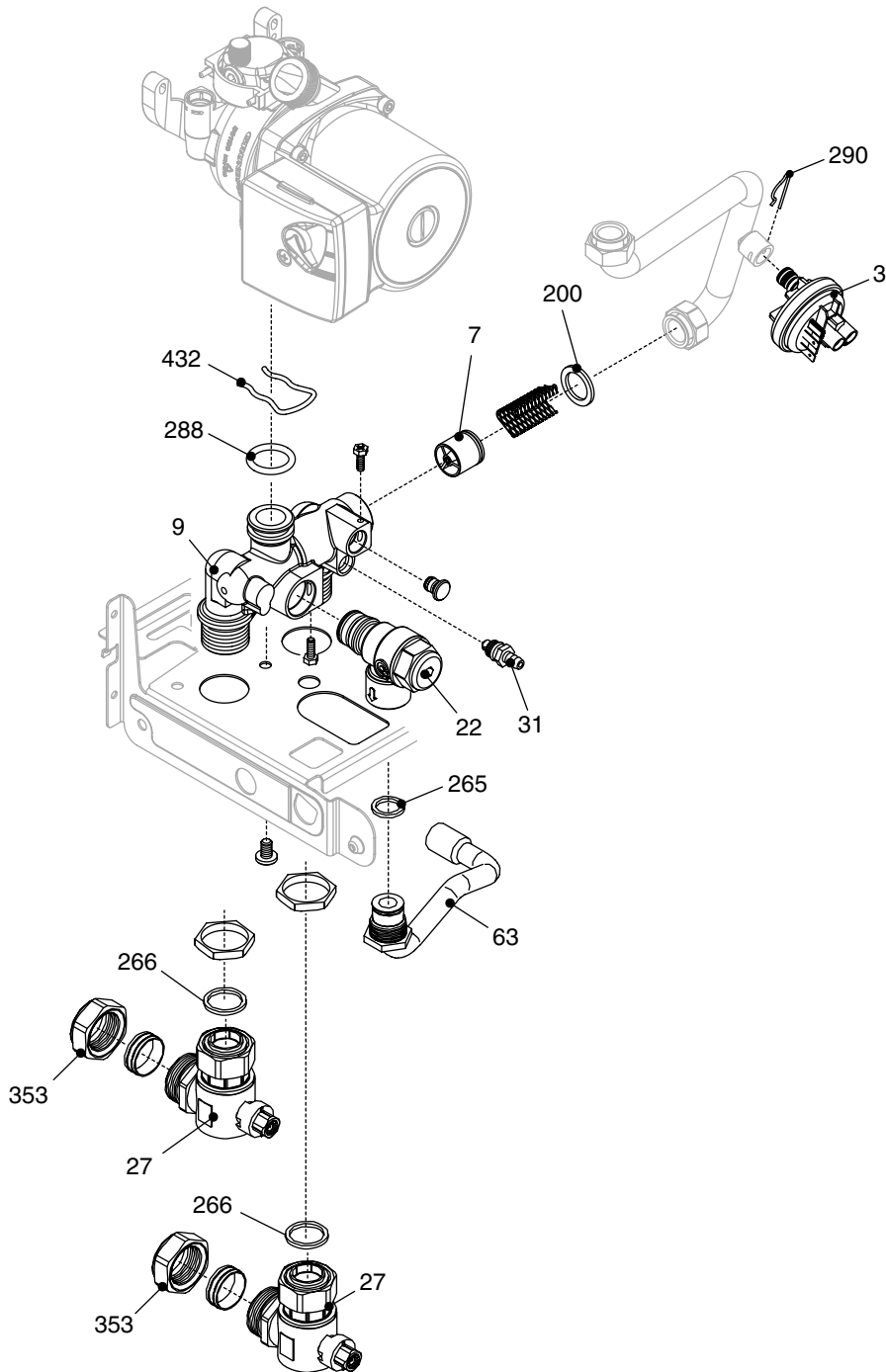
Mynute HE



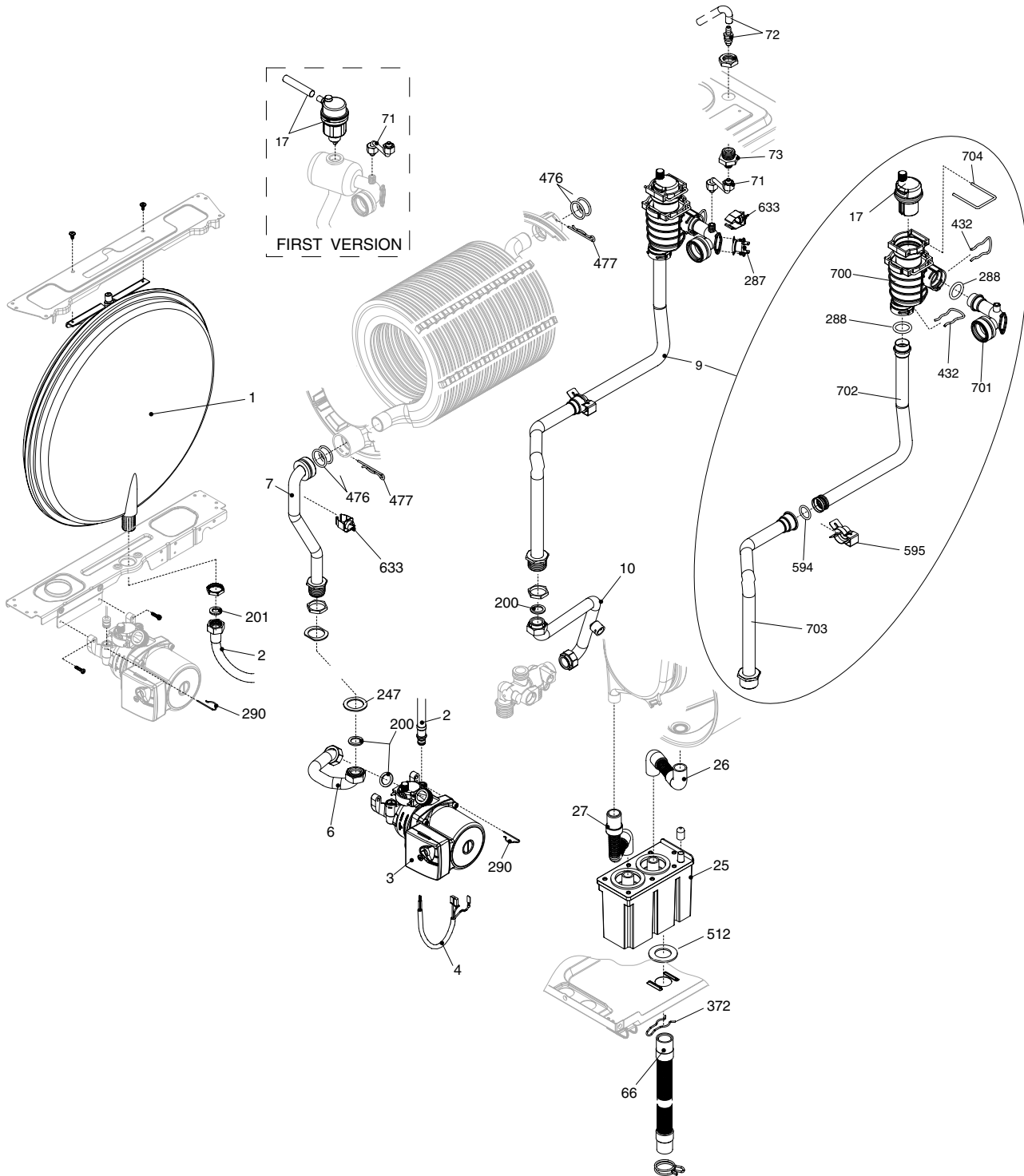
| MODEL | PART NUMBER | |
|--------------|---------------|---------------|
| | MTN | GPL |
| Mynute 30 HE | 2351023 (878) | 2351025 (879) |
| Mynute 35 HE | 2351033 (880) | 2351035 (881) |



| POS. | DESCRIPTION | 30 | 35 |
|------|-----------------------|-----------|-----------|
| 1 | Frame assembly | R01005445 | R01005445 |
| 12 | Pressure gauge | R2564 | R2564 |
| 18 | Cover assembly | R10028554 | R10028554 |
| 20 | Printed circuit board | 20001116 | 20001116 |
| 21 | Led light guide | R10028557 | R10028557 |
| 26 | Instrumental panel | R10028551 | R10028551 |
| 27 | Knob assembly | R10028559 | R10028559 |
| 31 | Case Assembly | R10028451 | R10028451 |
| 40 | Electrical panel | R10030136 | R10030136 |
| 78 | Hinge assembly | R01005442 | R01005442 |
| 90 | Fuse | R3478 | R3478 |
| 226 | Clip | R5128 | R5128 |
| 300 | Power wiring harness | R10028596 | R10028596 |
| 301 | Low tension cable | R10028598 | R10028598 |
| 302 | Wiring harness | R10028593 | R10028593 |

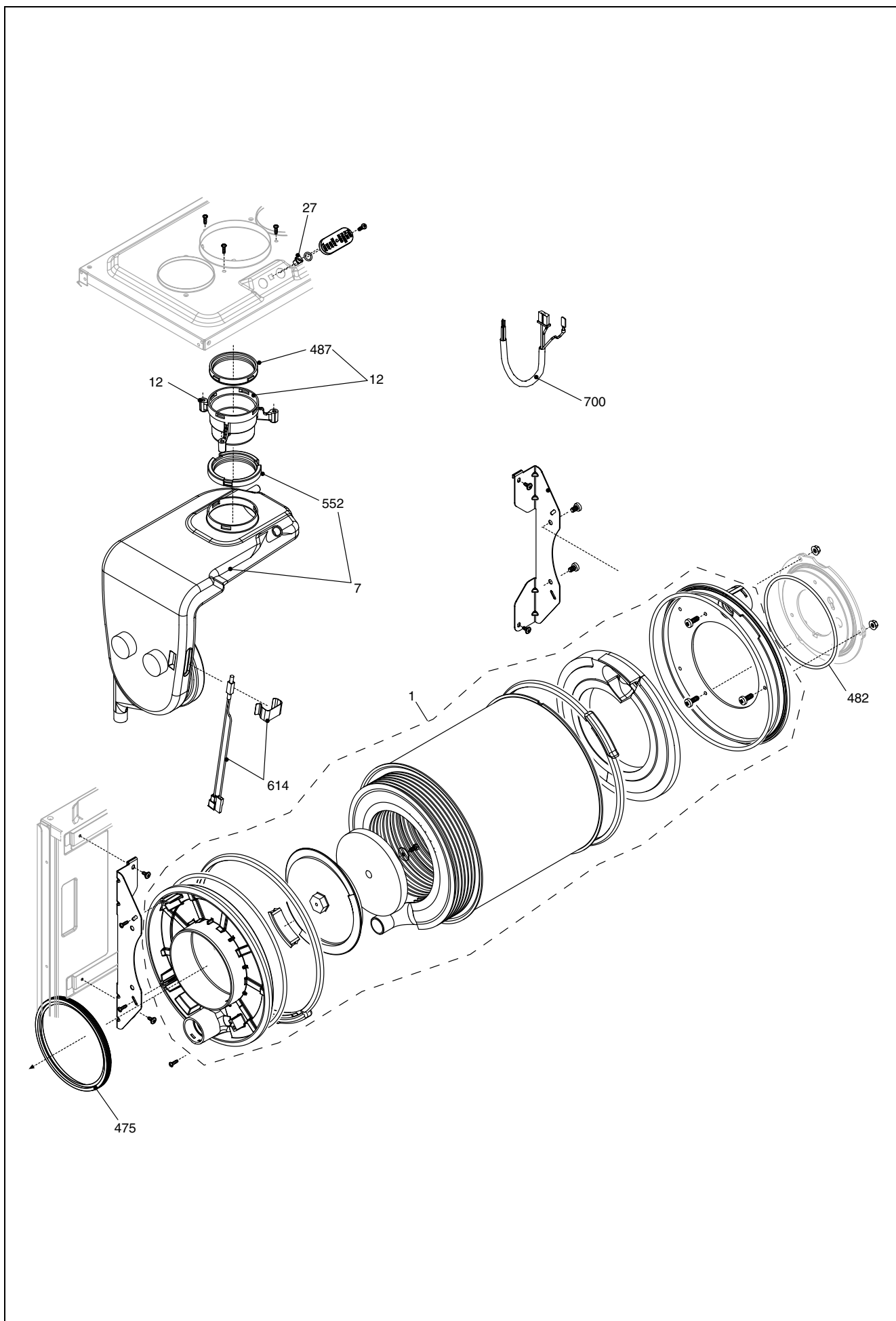


| POS. | DESCRIPTION | 30 | 35 |
|------|-----------------------|-----------|-----------|
| 3 | Pressure water switch | R2726 | R2726 |
| 7 | Heating by-pass valve | R1552 | R1552 |
| 9 | Heating manifold | R10028415 | R10028415 |
| 22 | Safety valve | R2907 | R2907 |
| 27 | Heat water cock | R10029757 | R10029757 |
| 31 | Drain tap | R01005137 | R01005137 |
| 63 | Pipe | R10020898 | R10020898 |
| 200 | Washer | R5023 | R5023 |
| 265 | Washer | R5236 | R5236 |
| 266 | Washer | R5237 | R5237 |
| 288 | Ring | R6898 | R6898 |
| 290 | Clip | R2165 | R2165 |
| 432 | Clip | R10024958 | R10024958 |



| POS. | DESCRIPTION | 30 | 35 |
|------|----------------------------------|-----------|-----------|
| 1 | Expansion vessel | R2573 | R2573 |
| 2 | Pipe | R10023603 | R10023603 |
| 3 | Pump | R10027258 | R10027258 |
| 4 | Pump cable | R10028594 | R10028594 |
| 6 | Pipe | R10028624 | R10028624 |
| 7 | Pipe | R10026267 | R10026267 |
| 9 | Pipe | 20020179 | 20020179 |
| 10 | Pipe | R10028905 | R10028905 |
| 17 | Air venting plug (first version) | R10029306 | R10029306 |
| 17 | Air venting plug | 20019768 | 20019768 |
| 25 | Siphon | R10028405 | R10028405 |
| 26 | Flexible pipe | R10027191 | R10027191 |
| 27 | Flexible pipe | R10027192 | R10027192 |
| 66 | Flexible pipe | R10026272 | R10026272 |
| 71 | Pipe (first version) | R10028515 | R10028515 |
| 71 | Pipe | 20020178 | 20020178 |
| 72 | Drain tap | R01005137 | R01005137 |
| 73 | Cock | R10028431 | R10028431 |
| 200 | Washer | R5023 | R5023 |
| 201 | Washer | R5026 | R5026 |
| 247 | Washer | R5203 | R5203 |
| 287 | High limit thermostat | R2258 | R2258 |
| 288 | O ring | R6898 | R6898 |
| 290 | Clip | R2165 | R2165 |
| 372 | Clip | R2588 | R2588 |
| 432 | Clip | R10024958 | R10024958 |
| 476 | O ring | R10026324 | R10026324 |
| 477 | Split pin | R10026269 | R10026269 |
| 512 | Washer | R10027193 | R10027193 |
| 594 | O ring | 20000131 | 20000131 |
| 595 | Clip | 20000130 | 20000130 |
| 633 | NTC sensor | 20003819 | 20003819 |
| 700 | Air venting plug kit | 20019888 | 20019888 |
| 701 | Pipe | 20019764 | 20019764 |
| 702 | Pipe | 20019763 | 20019763 |
| 703 | Pipe | 20020192 | 20020192 |
| 704 | Clip | 20019767 | 20019767 |

| POS. | DESCRIPTION | 30 | 35 |
|------|----------------------------|-----------|-----------|
| 1 | Roomsealed chamber | R10028447 | R10028447 |
| 2 | Roomsealed chamber side | R10026231 | R10026231 |
| 3 | Fan | R10028456 | R10028456 |
| 4 | Burner assembly | R10028537 | R10028537 |
| 5 | Spark / ignition electrode | R10027864 | R10027864 |
| 6 | Condense electrode | R10026316 | R10026316 |
| 12 | Gas pipe | R10028629 | R10028629 |
| 13 | Gas valve | R10028538 | R10028538 |
| 15 | 3/4" gas cock | R10020897 | R10020897 |
| 16 | Combustion chamber cover | R10026230 | R10026230 |
| 19 | Glass stopper assembly | R10026328 | R10026328 |
| 27 | Plug | 20005586 | 20005586 |
| 35 | Air gas conveyor | R10028420 | R10028420 |
| 39 | Pipe | R10028206 | R10028206 |
| 46 | Gas diaphragm 6,7 | R10027162 | R10027162 |
| 46 | Gas diaphragm 6,7 | R10027162 | - |
| 46 | Gas diaphragm 5,0 | R2111 | - |
| 67 | Washer Ø 62 | R10026322 | R10026322 |
| 69 | Tryton | R10028425 | R10028425 |
| 72 | Mixer | 20015932 | 20015932 |
| 79 | Flame detection electrode | R10028422 | R10028422 |
| 88 | Fan protection | 20006411 | 20006411 |
| 200 | Washer | R5023 | R5023 |
| 486 | O ring | R10026325 | R10026325 |
| 497 | Washer | R10026796 | R10026796 |
| 613 | Transformer | 20002969 | 20002969 |
| 700 | Gas valve cable | R10028599 | R10028599 |
| 701 | Wiring harness | 20001681 | 20001681 |
| 702 | Spark electrode cable | R10026558 | R10026558 |
| 800 | Ng conversion kit | R01005466 | R01005466 |
| 801 | LPG conversion kit | R01005448 | R01005448 |



| POS. | DESCRIPTION | 30 | 35 |
|------|-------------------------------|-----------|-----------|
| 1 | Condensing exchanger assembly | R01005369 | R01005369 |
| 7 | Conveyor | R10028623 | R10028623 |
| 12 | Flue drain connection | R10028421 | R10028421 |
| 27 | Nut screw | R10020625 | R10020625 |
| 475 | Washer Ø 125 | R10026323 | R10026323 |
| 482 | Washer | R10026366 | R10026366 |
| 487 | Washer Ø 60 | R10026345 | R10026345 |
| 552 | Washer Ø 60 | R10028426 | R10028426 |
| 614 | Fumes thermostat | 20001564 | 20001564 |
| 700 | Combustion cable | R10028601 | R10028601 |

| Rev. | data | Descrizione |
|-------------|-------------|--|
| 1.0 | 10/05/06 | Modifiche varie |
| 2.0 | 30/10/06 | Modifiche varie |
| 3.0 | 20/03/07 | Modifiche varie |
| 4.0 | 22/01/08 | E00120070221 : scheda |
| 5.0 | 13/02/08 | E00120080050 : pressostato, rampa |
| 6.0 | 16/04/08 | E00120080089 : cablaggi, trasformatore, termostato fumi, termostato limite E00120070171 : cambiato disegno convogliatore scarico fumi |
| 7.0 | 05/09/08 | E00120080230 : sonda a contatto – E00120080317 : protezione ventilatore |
| 8.0 | 15/10/09 | E00120090492 : nuovo brand Vokera - E00120090526 : mixer |
| 9.0 | 16/11/09 | E00120090590 : rampa con degasatore – E00120090613 : tappo scatola aria |



Vokera reserve the right to change the specifications without prior notice.
Consumers' statutory rights are not affected.