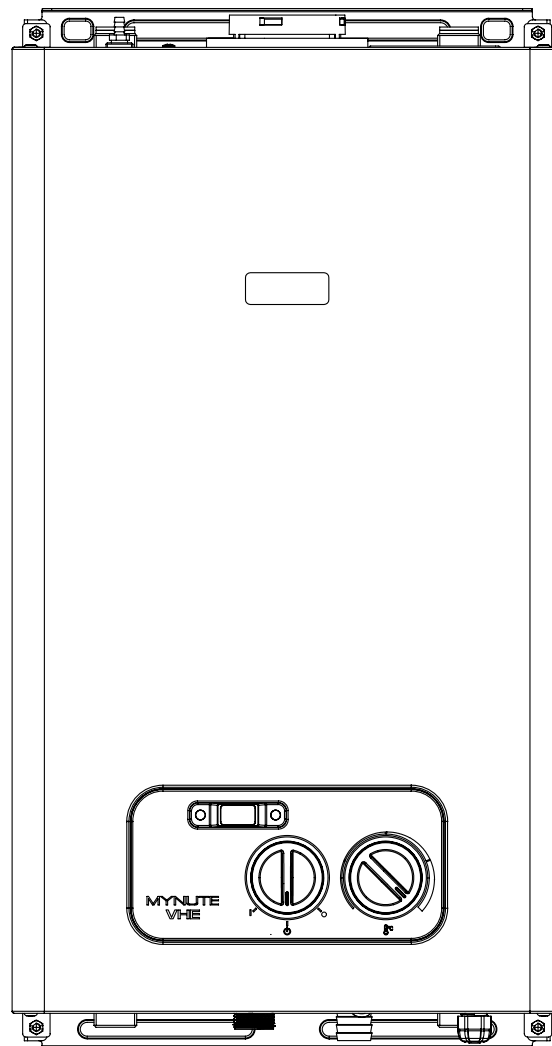
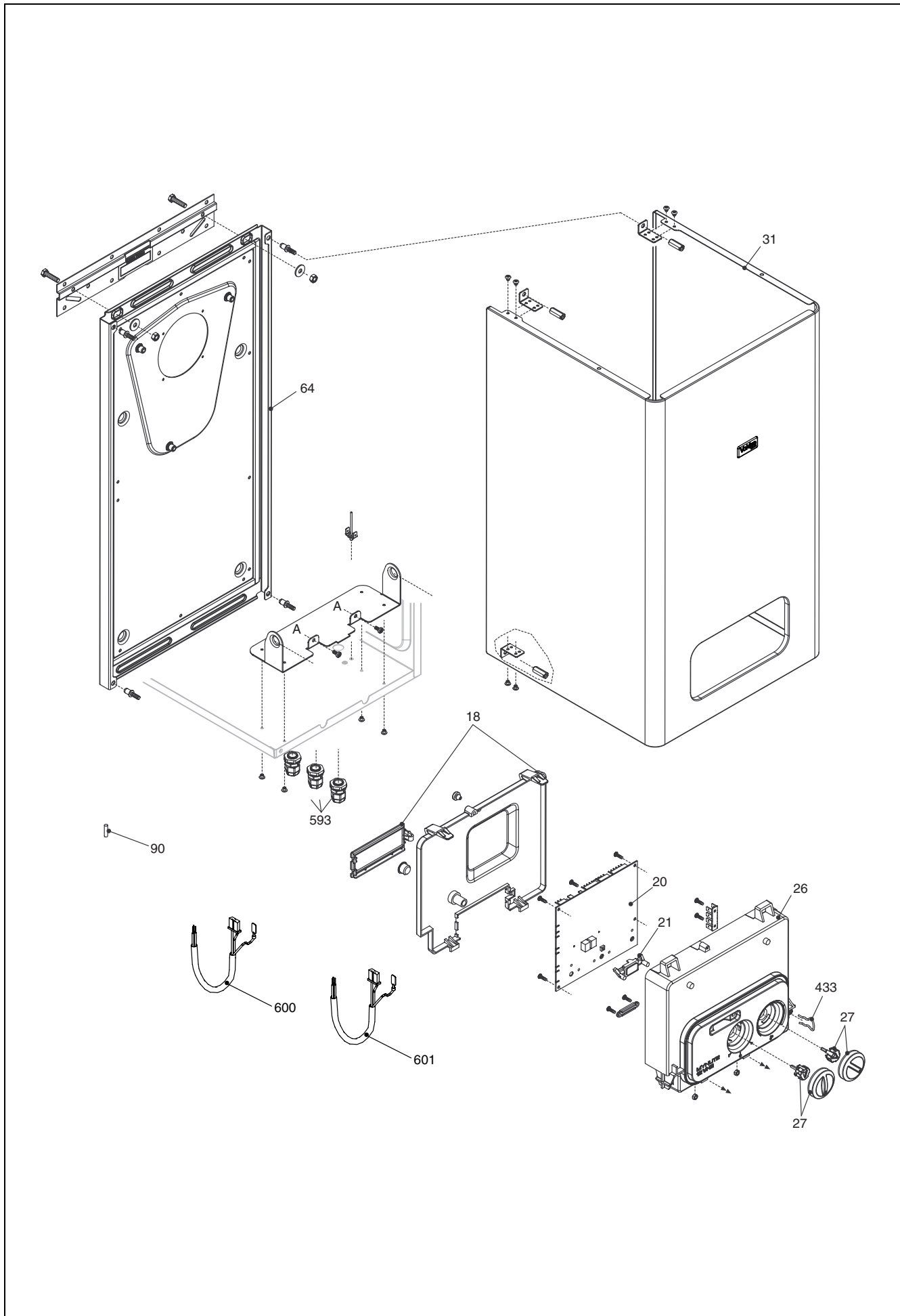


**Wall hung boilers**

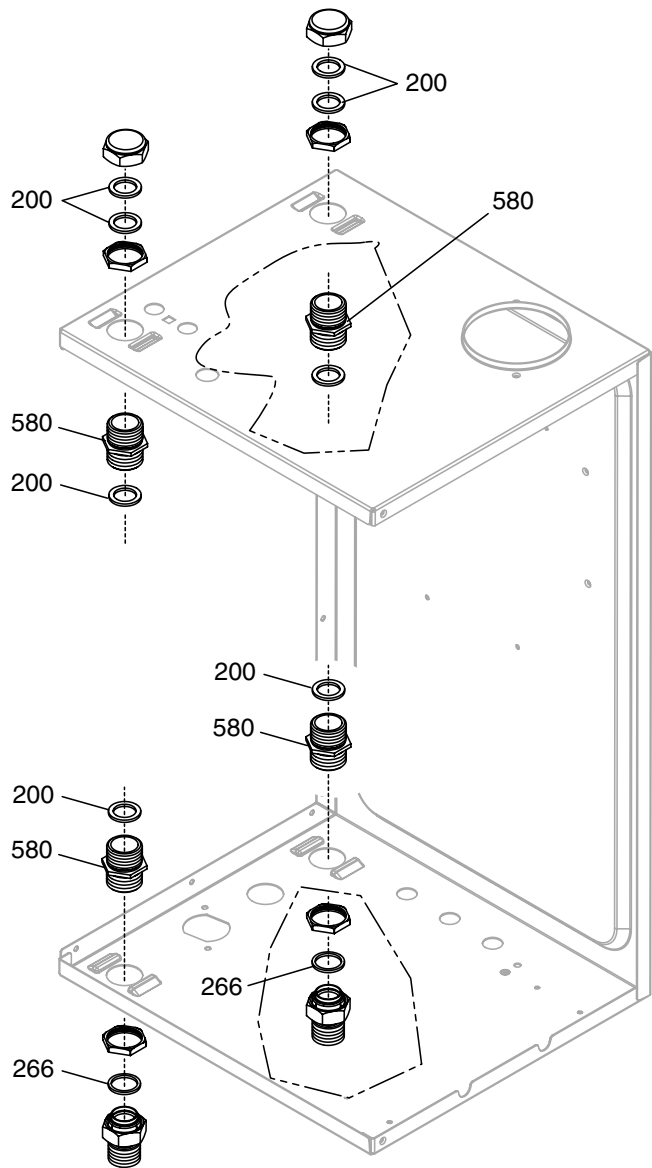
**Mynute VHE**



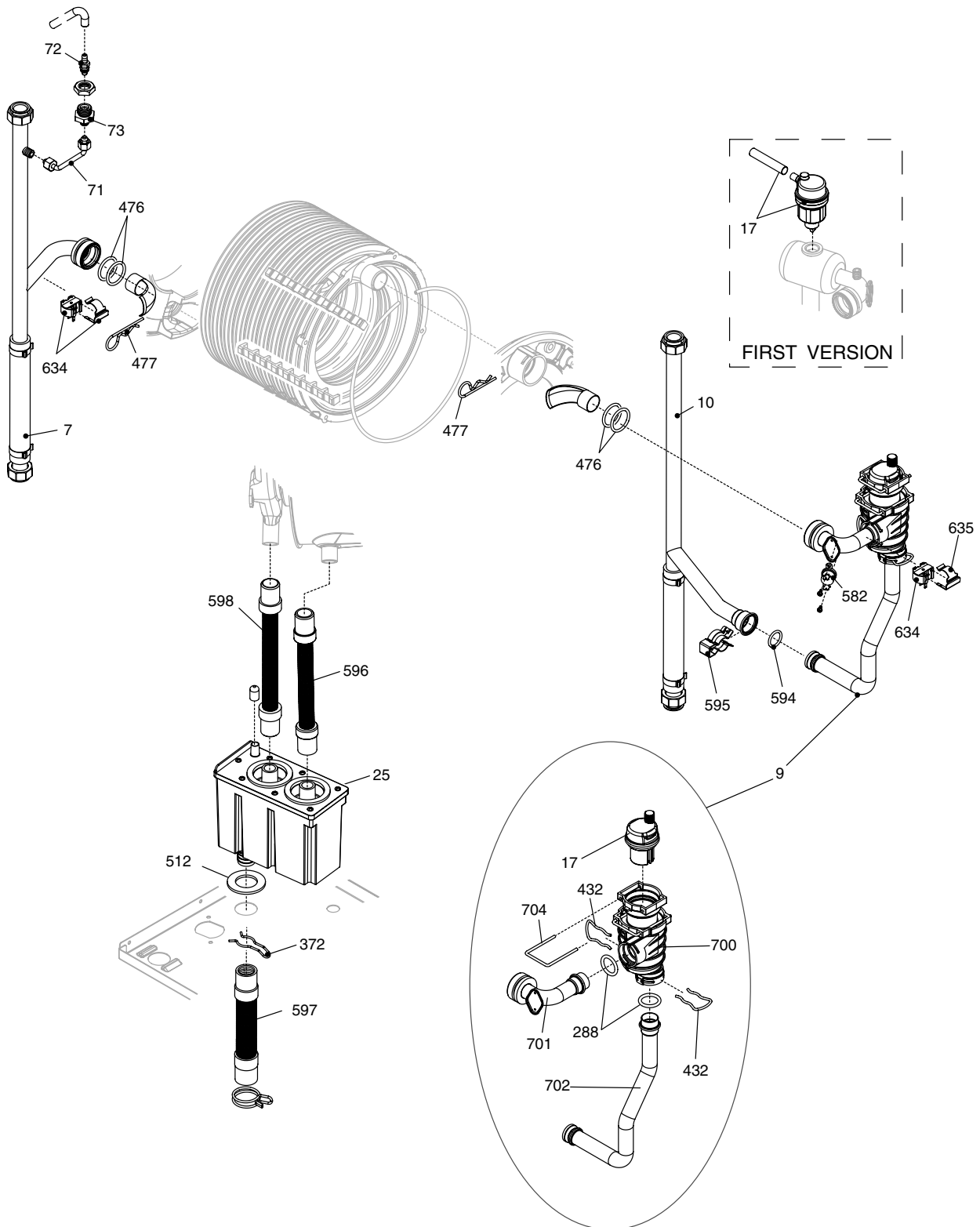
MODEL	PART NUMBER	
	MTN	GPL
<b>Mynute 12 VHE</b>	<b>2351163 (882)</b>	<b>2351165 (883)</b>
<b>Mynute 15 VHE</b>	<b>2351173 (884)</b>	<b>2351175 (885)</b>



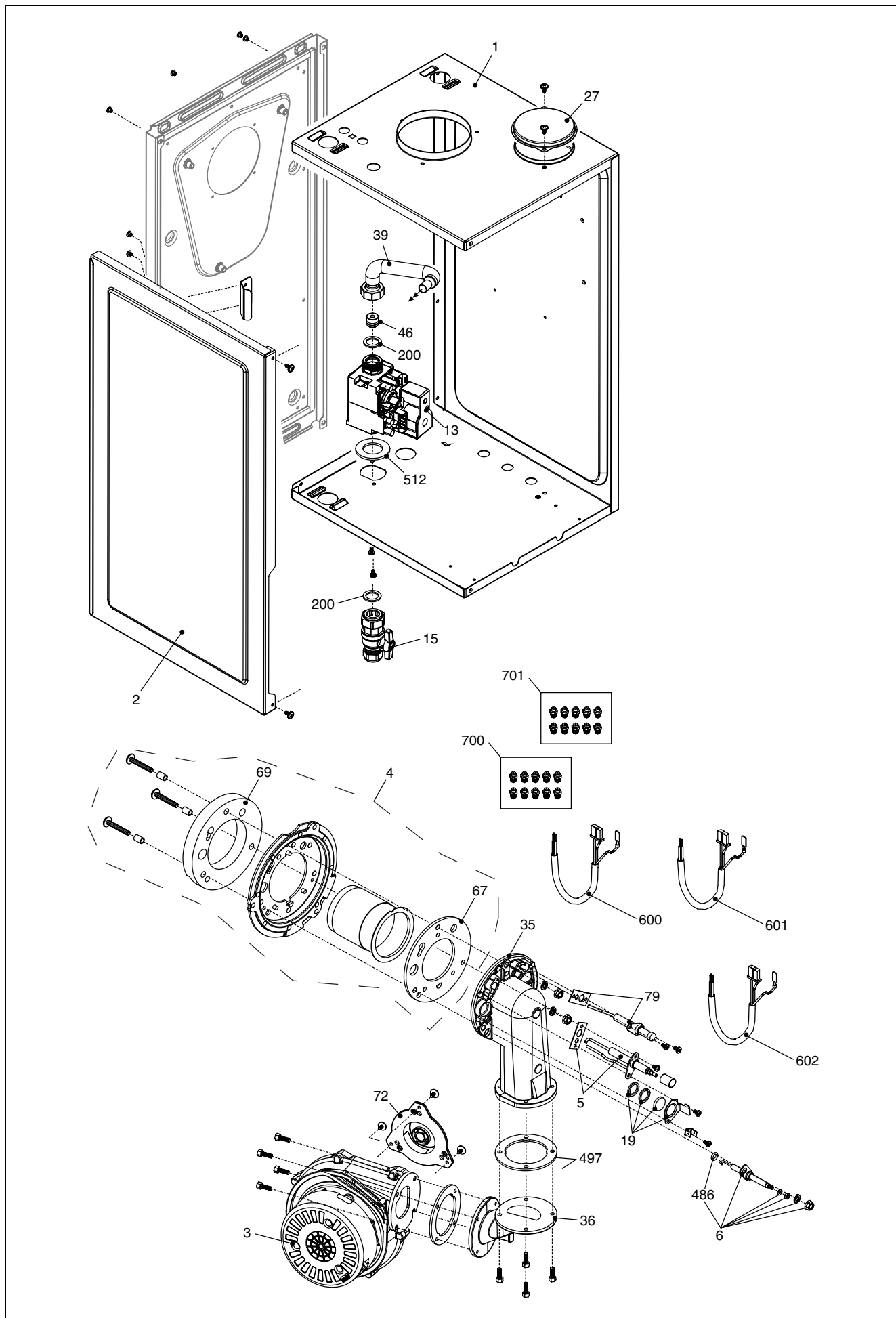
POS.	DESCRIPTION	12	15
18	Posterior cover instrumental panel	20000121	20000121
20	Printed circuit board	R10029717	R10029717
21	Led light guide	R10028557	R10028557
26	Instrumental panel	20000124	20000168
27	Knob assembly	R10028559	R10028559
31	Case	20000122	20000122
64	Frame	20000139	20000139
90	Fuse	R3478	R3478
433	Clip	R10024986	R10024986
593	Cable holder	20000142	20000142
600	Pump cable	20000134	20000134
601	Power wiring harness	20000136	20000136



POS.	DESCRIPTION	12	15
200	Washer	R5023	R5023
266	Washer	R5237	R5237
580	Connection M 3/4 - 3/4	R10029526	R10029526

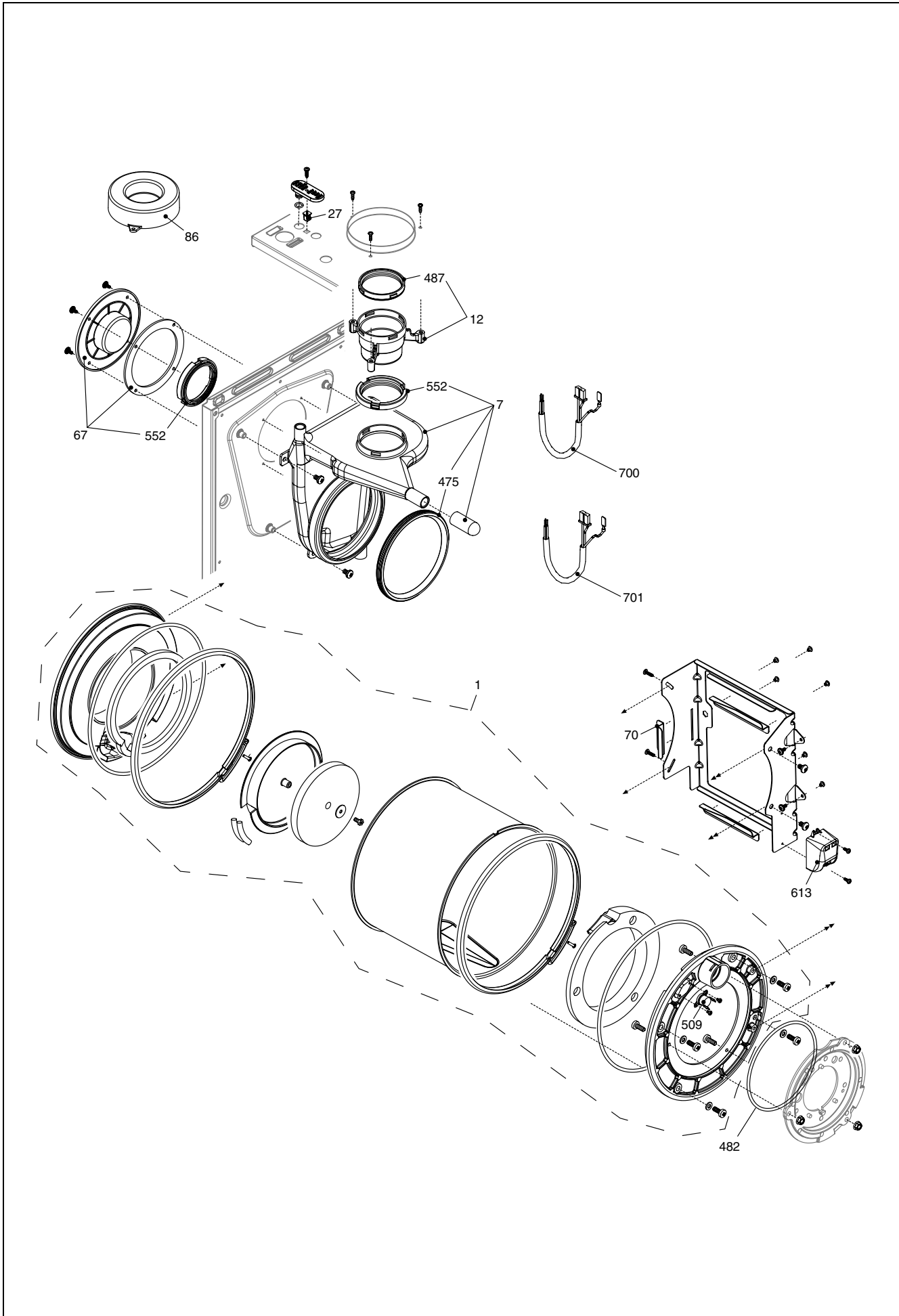


POS.	DESCRIPTION	12	15
7	Pipe	20000128	20000128
9	Pipe	20020255	20020255
10	Pipe	20000127	20000127
17	Air venting plug (first version)	R10029306	R10029306
17	Air venting plug	20019768	20019768
25	Siphon	R10028405	R10028405
71	Pipe	20000129	20000129
72	Drain tap	R01005137	R01005137
73	Cock	R10028431	R10028431
288	O ring	R6898	R6898
372	Clip	R2588	R2588
432	Clip	R10024958	R10024958
476	O ring	R10026324	R10026324
477	Split pin	R10026269	R10026269
512	Washer	R10027193	R10027193
582	Thermostat	R9695	R9695
594	O ring	20000131	20000131
595	Spring pipe	20000130	20000130
596	Flexible pipe	20000132	20000132
597	Flexible pipe	20000133	20000133
598	Pipe	R10026545	R10026545
634	NTC sensor kit	20004365	20004365
700	Air venting plug kit	20019888	20019888
701	Pipe	20020252	20020252
702	Pipe	20020254	20020254
704	Clip	20019767	20019767





POS.	DESCRIPTION	12	15
1	Roomsealed chamber	20000119	20000119
2	Roomsealed chamber side	20000140	20000140
3	Fan	R10028456	R10028456
4	Burner assembly	20000148	20000148
5	Spark / ignition electrode	R10027864	R10027864
6	Condense electrode	R10026316	R10026316
13	Gas valve	R10028538	R10028538
15	3/4" gas cock	R10027806	R10027806
19	Glass flange assembly	R10029823	R10029823
27	Plug	20005586	20005586
35	Air gas conveyor	R10028420	R10028420
36	Flange fan	200001120	200001120
39	Gas pipe	20000125	20000125
46	Gas diaphragm 4,7	R2112	R2112
46	Gas diaphragm 3,6	R10027159	R10027159
67	Washer Ø 62	R10026322	R10026322
69	Tryton	R10028425	R10028425
72	Mixer	20019125	20019125
79	Flame detection electrode	R10028422	R10028422
200	Washer	R5023	R5023
486	O ring	R10026325	R10026325
497	Washer	R10026796	R10026796
512	Washer	R10027193	R10027193
600	Spark electrode cable	R10026558	R10026558
601	Gas valve cable	20000137	20000137
602	Wiring harness	20003219	20003219
700	Ng conversion kit	R01005464	R01005464
701	LPG conversion kit	R01005446	R01005446



POS.	DESCRIPTION	12	15
1	Condensing exchanger assembly	20000141	20000141
7	Conveyor	20000123	20000123
12	Flue drain connection	R10028421	R10028421
27	Nut screw	R10020625	R10020625
67	Drain plug	20000118	20000118
86	Top flue outlet blanking cap	20000142	20000142
475	Washer Ø 125	R10026323	R10026323
482	Washer	R10026366	R10026366
487	Washer Ø 60	R10026345	R10026345
509	High limit thermostat	R10026982	R10026982
552	Washer Ø 60	R10028426	R10028426
613	Transformer	20002969	20002969
700	Combustion cable	20000135	20000135
701	Wiring harness	R10027360	R10027360

<b>Rev.</b>	<b>data</b>	<b>Descrizione</b>
1.0	16/04/08	E00120070214 : guarnizioni, disegno rampe E00120080089 : cablaggio, trasformatore
2.0	07/08/08	E00120080266 : sonda e molletta
3.0	09/10/09	E001220080500: bruciatore – E00120090492: nuovo brand Vokera E00120090526: mixer
4.0	04/01/2010	E00120090590 : rampa degasatore – E00120090613 : tappo scatola aria



---

Vokera reserve the right to change the specifications without prior notice.  
Consumers' statutory rights are not affected.