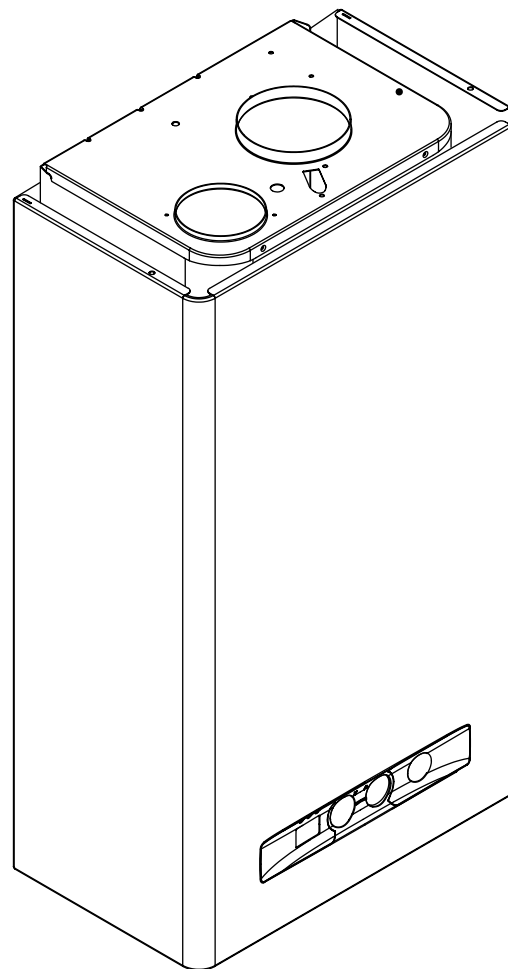
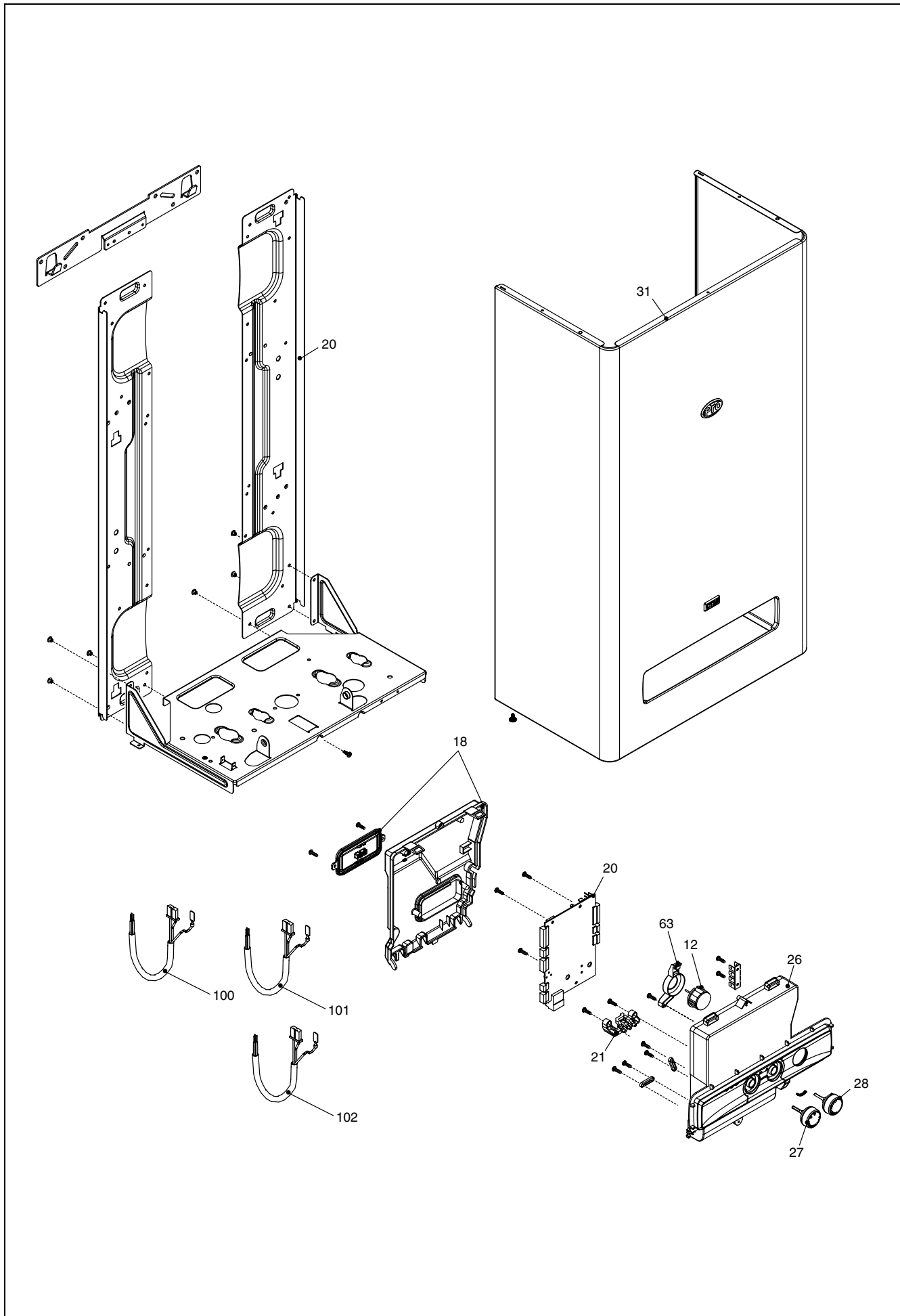


**Wall hung boilers**

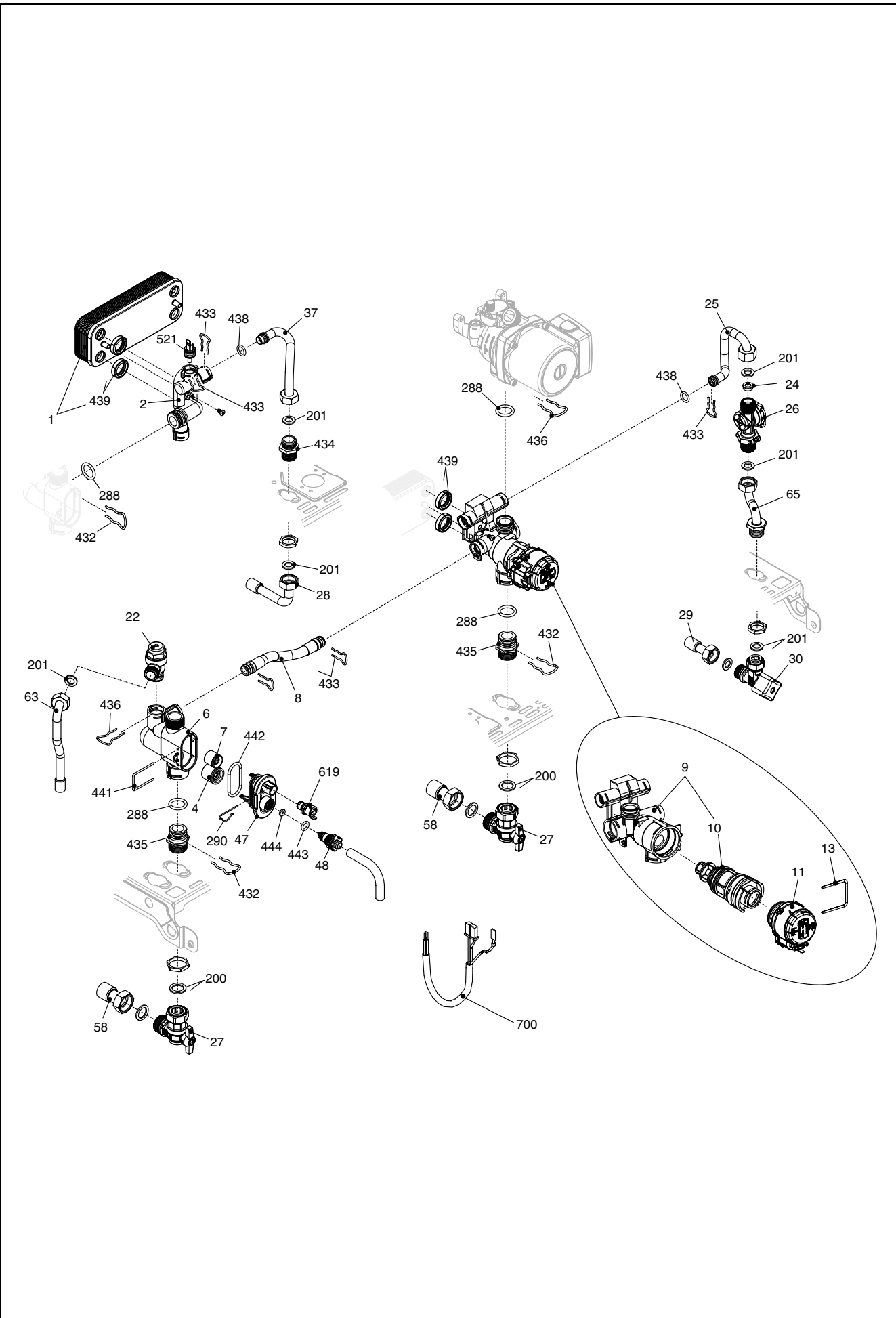
**Procombi CT 29**



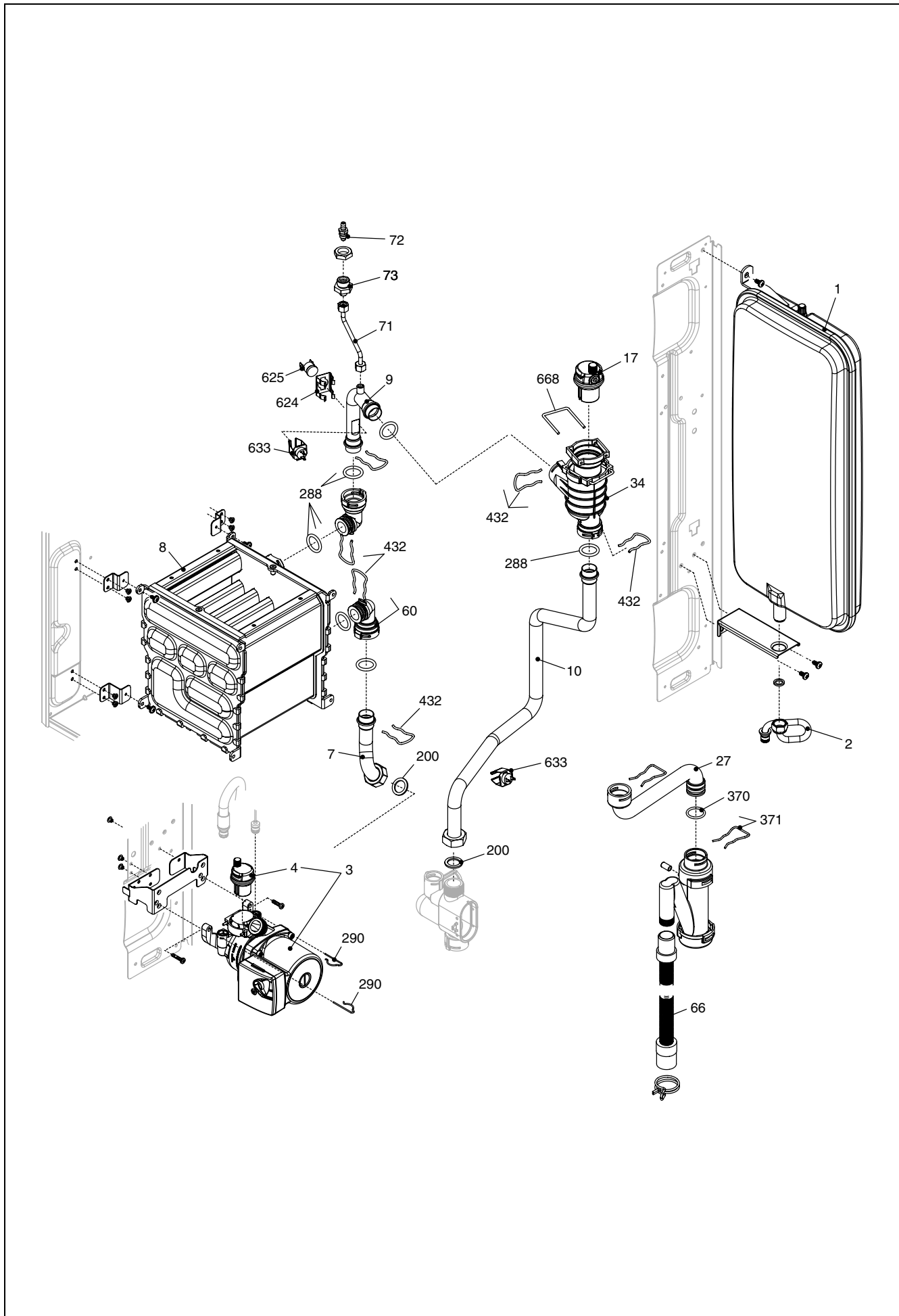
MODEL	PART NUMBER	
	MTN	GPL
Procombi CT29	20028013	-



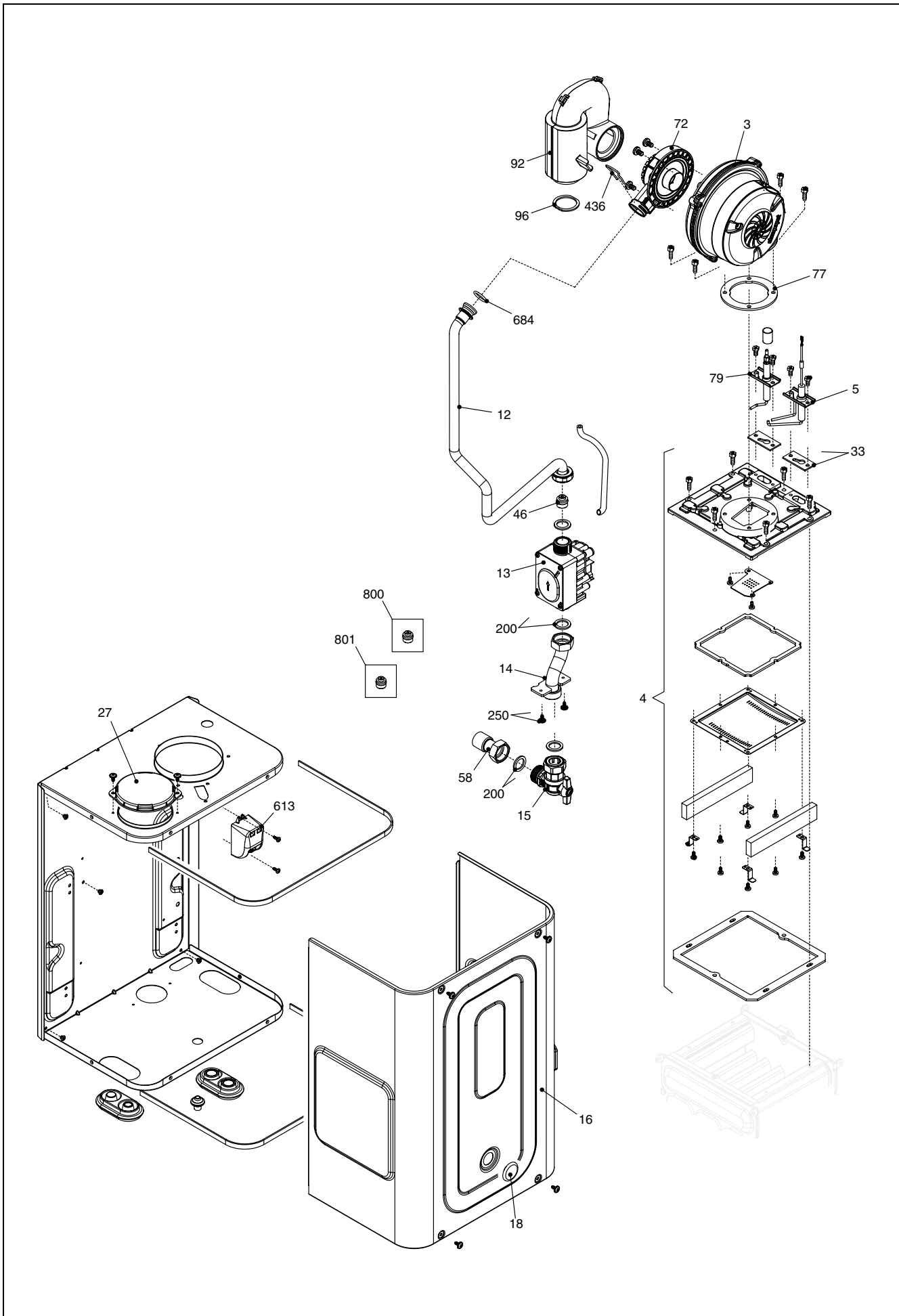
POS.	DESCRIPTION	29
2	Frame	20014920
12	Pressure gauge	20014885
18	Cover assembly	20035392
20	Printed circuit board	20025735
21	Light guide	20014884
26	Instrumental panel	20014891
27	Knob	20014887
28	Knob	20014888
31	Case Assembly	20035397
63	Water gauge carrier	20014882
100	Cable	20035404
101	Cable	20035405
102	Cable	R1547



POS.	DESCRIPTION	29
1	Exchanger	R8037
2	Fitting/union	R10024640
4	Non return valve	R10025056
6	By-pass casing	R10024642
7	By-pass valve	R2047
8	Pipe	R10026193
9	Valve with cartridge	20017599
10	Cartridge	20017597
11	Actuator	20017594
13	Clip	20017598
22	Safety valve	R10025055
24	Flow governor	R10024987
25	Pipe	R10026423
26	Dhw actuator	20013968
27	3/4" heat water cock	R1592
28	Pipe	20025758
29	Pipe	20025756
30	Cock	20035394
37	Pipe	20017591
47	Cover for by-pass assembly	R10024643
48	Cock	R10024646
58	Pipe	20025757
63	Pipe	20036120
65	Pipe	R10026422
200	Washer	R5023
201	Washer	R5026
288	Ring	R6898
290	Clip	R2165
432	Clip	R10024958
433	Clip	R10024986
434	Nipple	R10024985
435	Fitting/union	R10025059
436	Clip	R10025062
438	O ring	R10024988
439	Washer	R10025067
441	Clip	R10025063
442	O ring	R10025065
443	O ring	R10025064
444	Washer	R10025066
521	NTC sensor	R10027351
619	Pressure	20003181
700	Hydraulic control cable	20017596

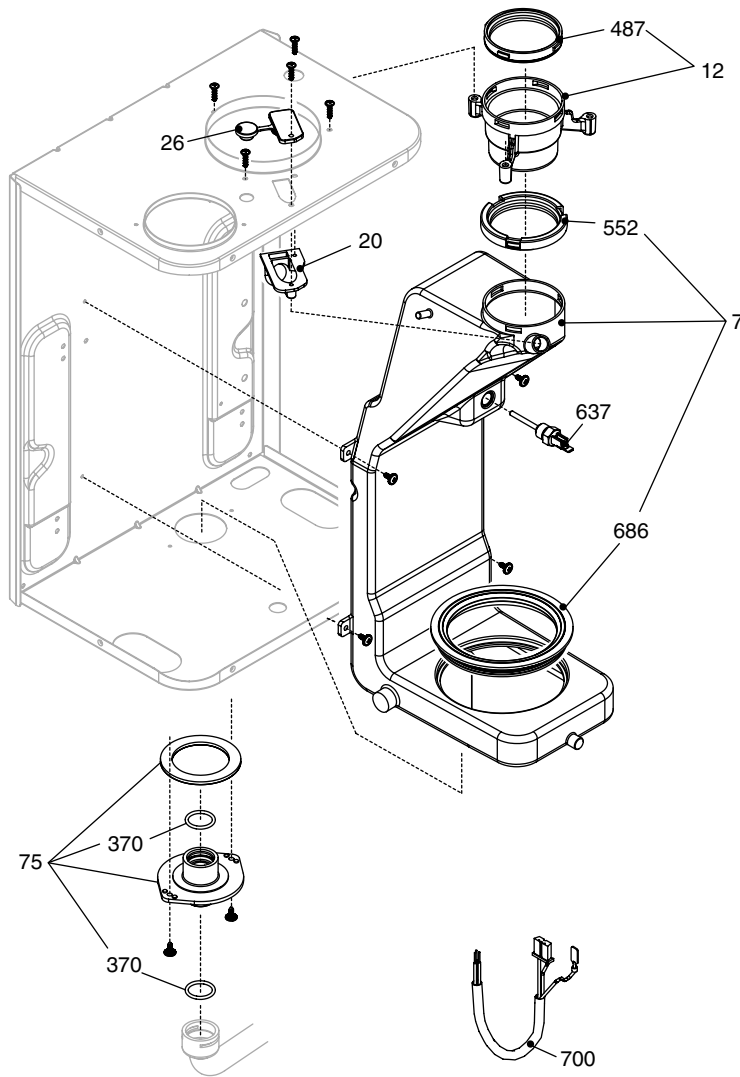


POS.	DESCRIPTION	29
1	Expansion vessel	20029826
2	Pipe	20017592
3	Pump	20036112
4	Air vent bottle	R10025485
7	Pipe	20035393
8	Pipe	20026081
9	Pipe	20025764
10	Pipe	20035390
17	Air vent valve	20019768
25	Siphon	20025733
27	Pipe	20025743
34	Degasser kit	20019888
60	Racord	20025762
66	Flexible pipe	R10027545
71	Pipe	20025746
72	Vent plug	R10023235
73	Cock	R10028431
200	Washer	R5023
288	Ring	R6898
290	Clip	R2165
302	Washer	R5025
370	O ring	R10023533
371	Clip	R10023532
432	Clip	R10024958
624	Clip	R5472
625	High limit thermostat	20005585
633	Water detector	20003819
668	Clip	20019767





POS.	DESCRIPTION	29
3	Fan	20002995
4	Burner assembly	20026079
5	Ignition electrode	20025737
12	Gas pipe	20035391
13	Gas valve	20025752
14	Pipe	20014873
15	3/4" gas cock	R2266
16	Combustion chamber cover	20005594
18	Plug	20005550
27	Hole cover	20005586
33	Seal ignition electrode	20025740
46	Gas diaphragm	R10029209
58	Pipe	20025757
72	Mixer	20026083
77	Washer	20025753
79	Electrode	20025738
92	Suction pipe	20025760
96	Diaphragme	20026082
200	Washer	R5023
436	Clip	R10025062
613	Ignition transformer	20001563
684	Washer	20025747
700	Ng conversion kit	20029052
701	LPG conversion kit	20029055



POS.	DESCRIPTION	29
7	Conveyor	20026060
12	Flue drain connection	R10028421
20	Outlet nut	20026049
26	Plug	20026058
75	Flue collector	20026056
370	O ring	R10023533
487	Washer Ø 60	R10026345
552	Washer Ø 60	R10028426
637	Flue sensor	20007050
686	Washer	20026059
700	Combustion cable	20025736



---

F&P reserve the right to change the specifications without prior notice.  
Consumers' statutory rights are not affected.