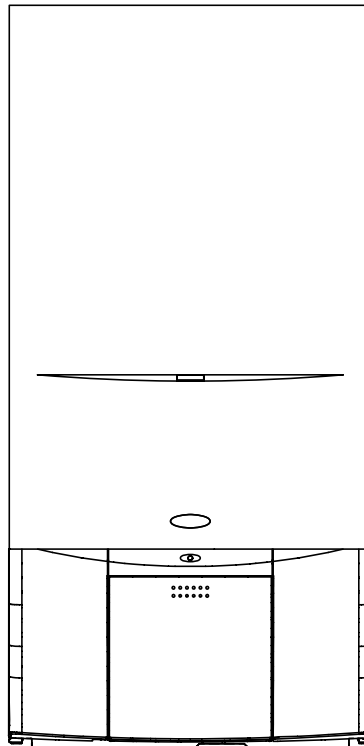
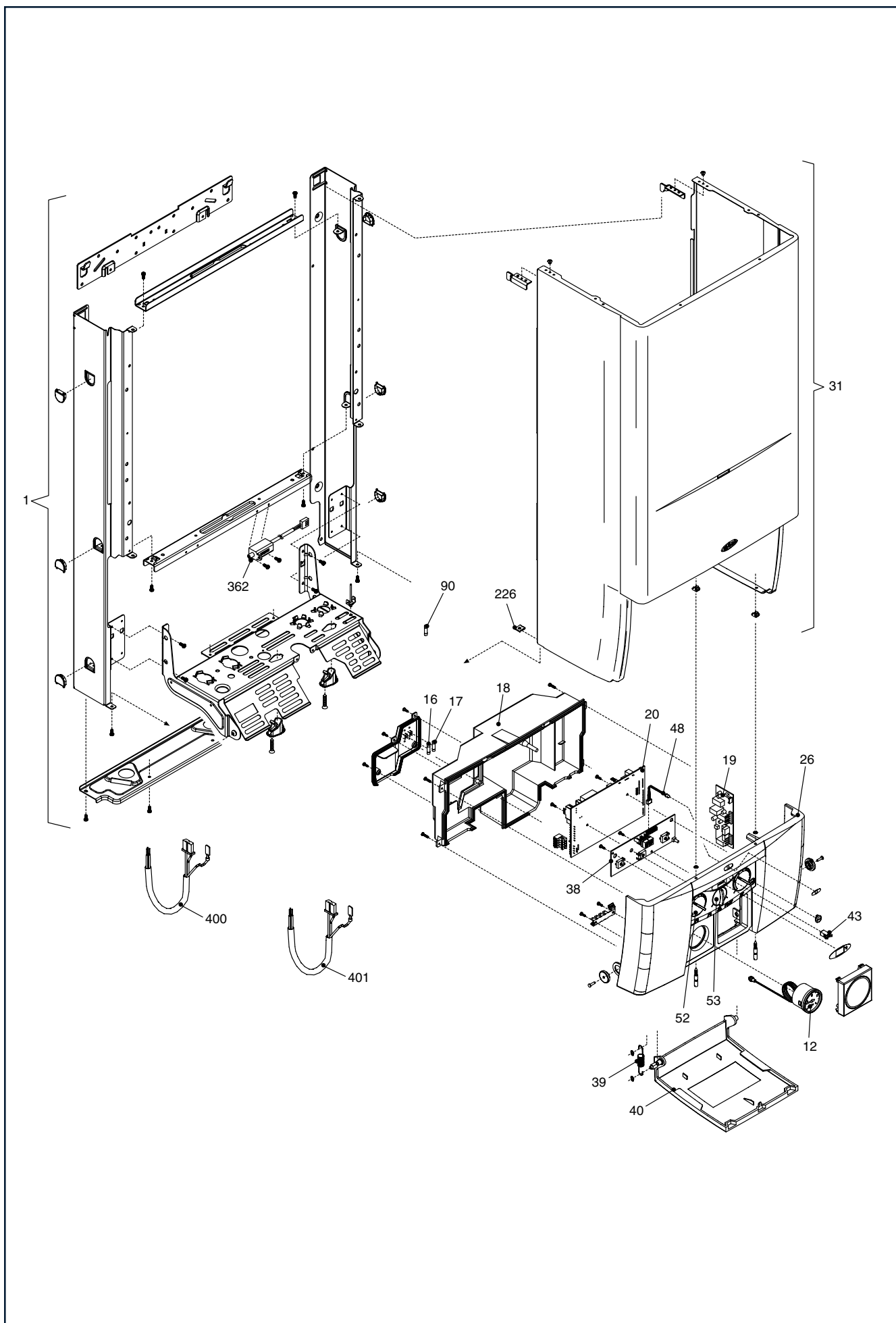


Wall hung boilers

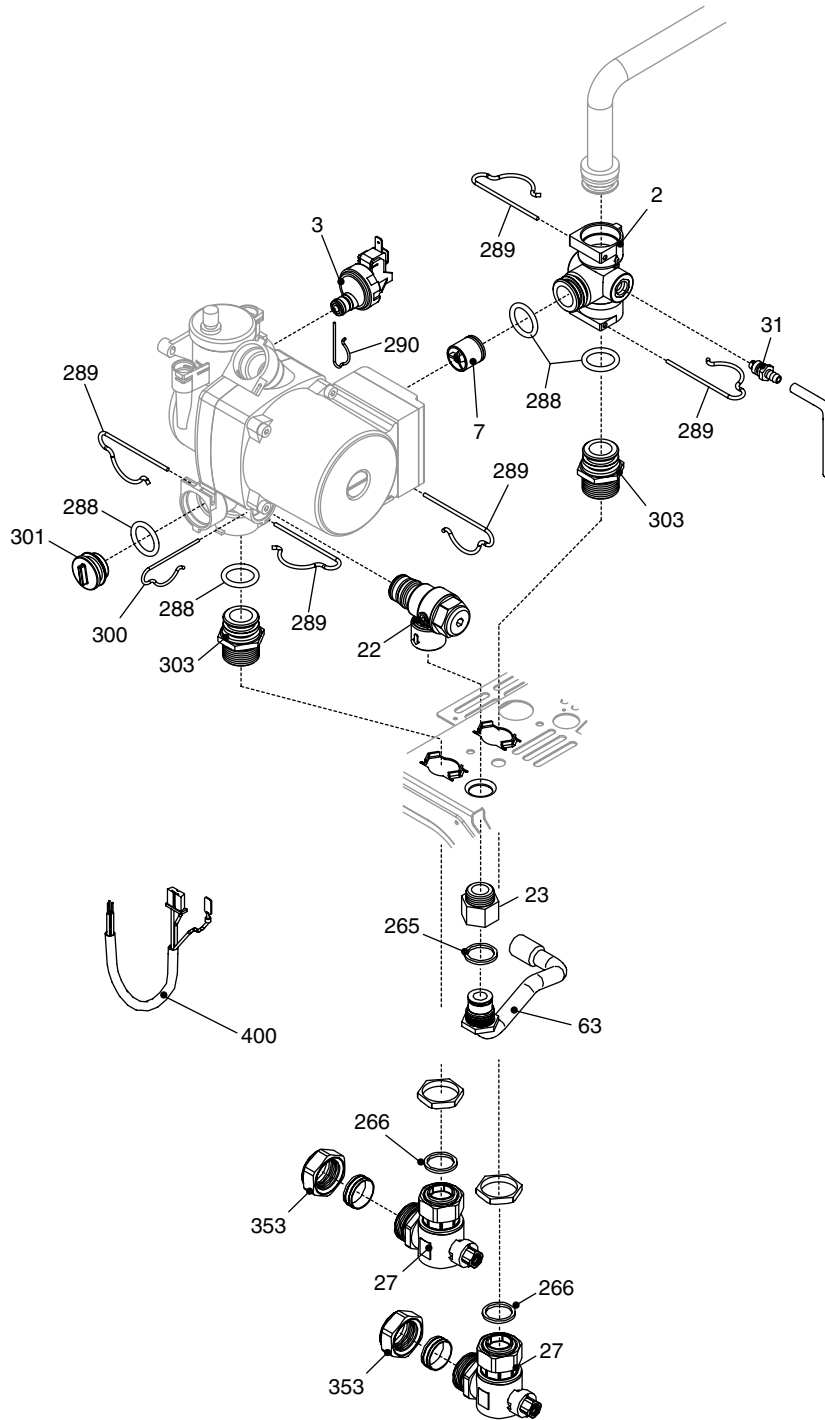
Synergy E



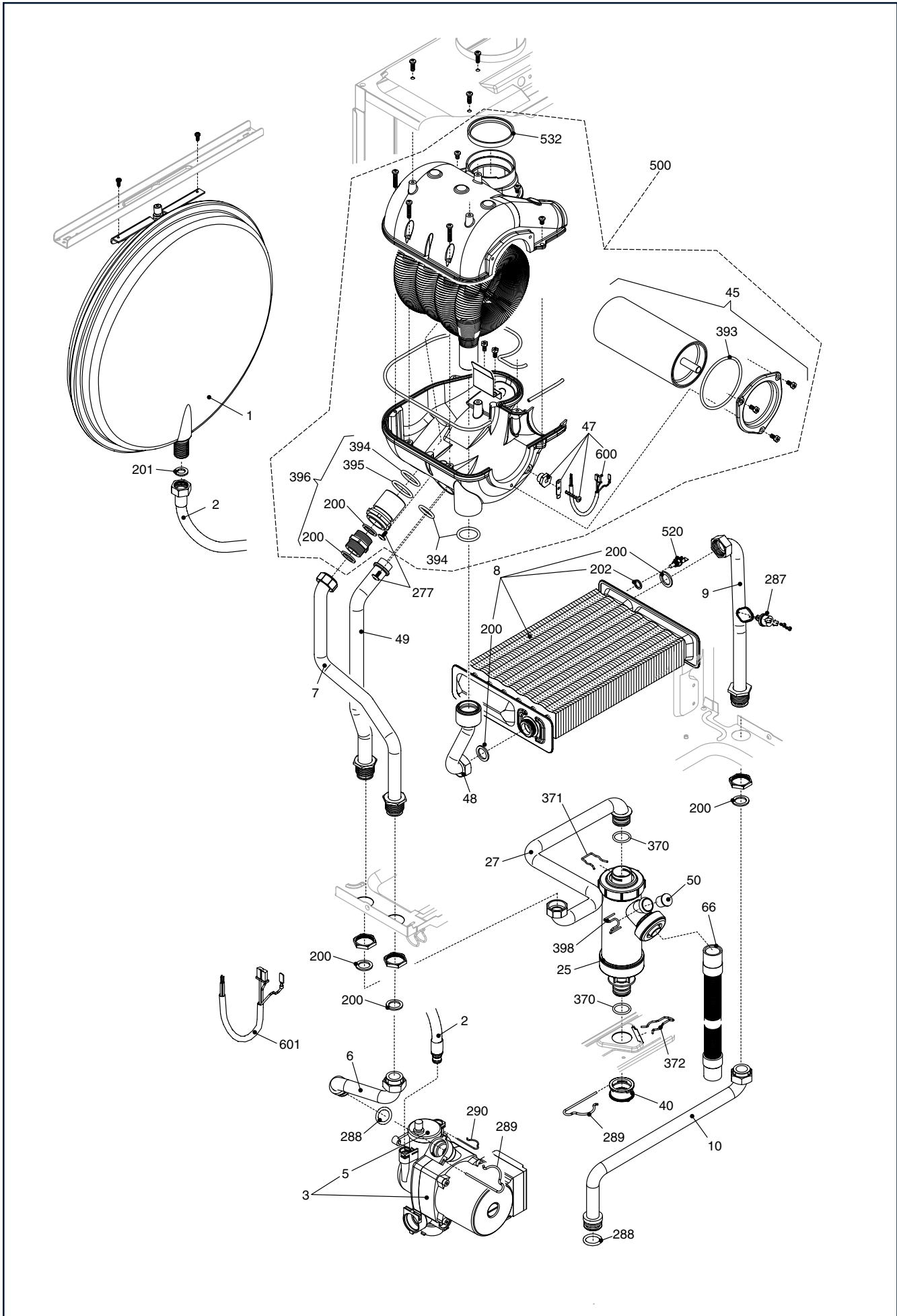
MODEL	PART NUMBER	
	NG	LPG
SYNERGY 25E	2350823	2350825
SYNERGY 29E	2350853	-



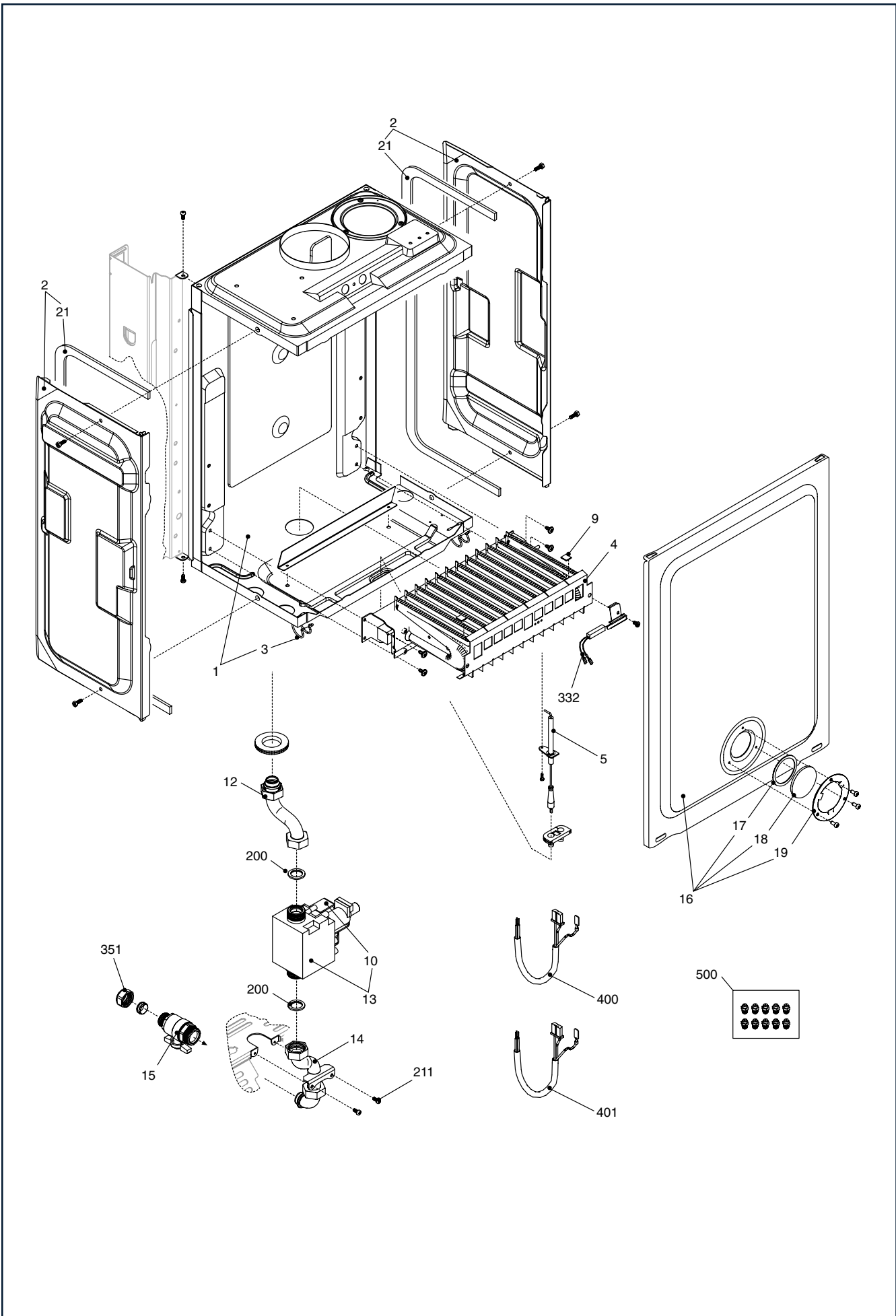
POS.	DESCRIPTION	25E	29E
1	Frame	R01005342	R01005359
12	Quick primer pressure gauge	R10026247	R10026247
16	2A fuse	R8968	R8968
17	100 mA fuse	R1947	R1947
18	Cover	R10021849	R10021849
19	Ignition module	R10028891	R10028891
20	Printed Circuit Board	R10025911	R10025911
26	Instrumental panel	R10026071	R10023051
31	Case	R1880	R1922
38	Printed Circuit Board	R10024558	R10024558
39	Spring	R1862	R1862
40	Door panel	R10024530	R10024530
43	Push-push cover	R1864	R1864
48	Led Light Guide	R1858	R1858
52	Selector knob kit	R01005073	R01005073
53	Control knob kit	R01005072	R01005072
90	3A fuse	R3478	R3478
226	Edge clip	R5128	R5128
362	Transformer	R10022659	R10022659
400	Flat cable	R10021117	R10021117
401	Y-S plan cable	R10023066	R10023066



POS.	DESCRIPTION	25E	29E
2	Connection	R10022658	R10022658
3	Pressure switch	R10028141	R10028141
7	By-pass valve	R2047	R2047
22	Safety valve	R2907	R2907
23	Connection	R10022499	R10022499
27	Heating cock	R1789	R1789
31	Venting plugs kit	R01005137	R01005137
63	Pipe	R10020898	R10020898
265	Wascher	R5236	R5236
266	Wascher	R5237	R5237
288	O-Ring	R6898	R6898
289	Clip	R2223	R2223
290	Clip	R2165	R2165
300	Clip	R2222	R2222
301	Cap	R2261	R2261
303	Connection	R2217	R2217
353	Nut	R1824	R1824
400	Hydraulic control cable	R10024740	R10024740



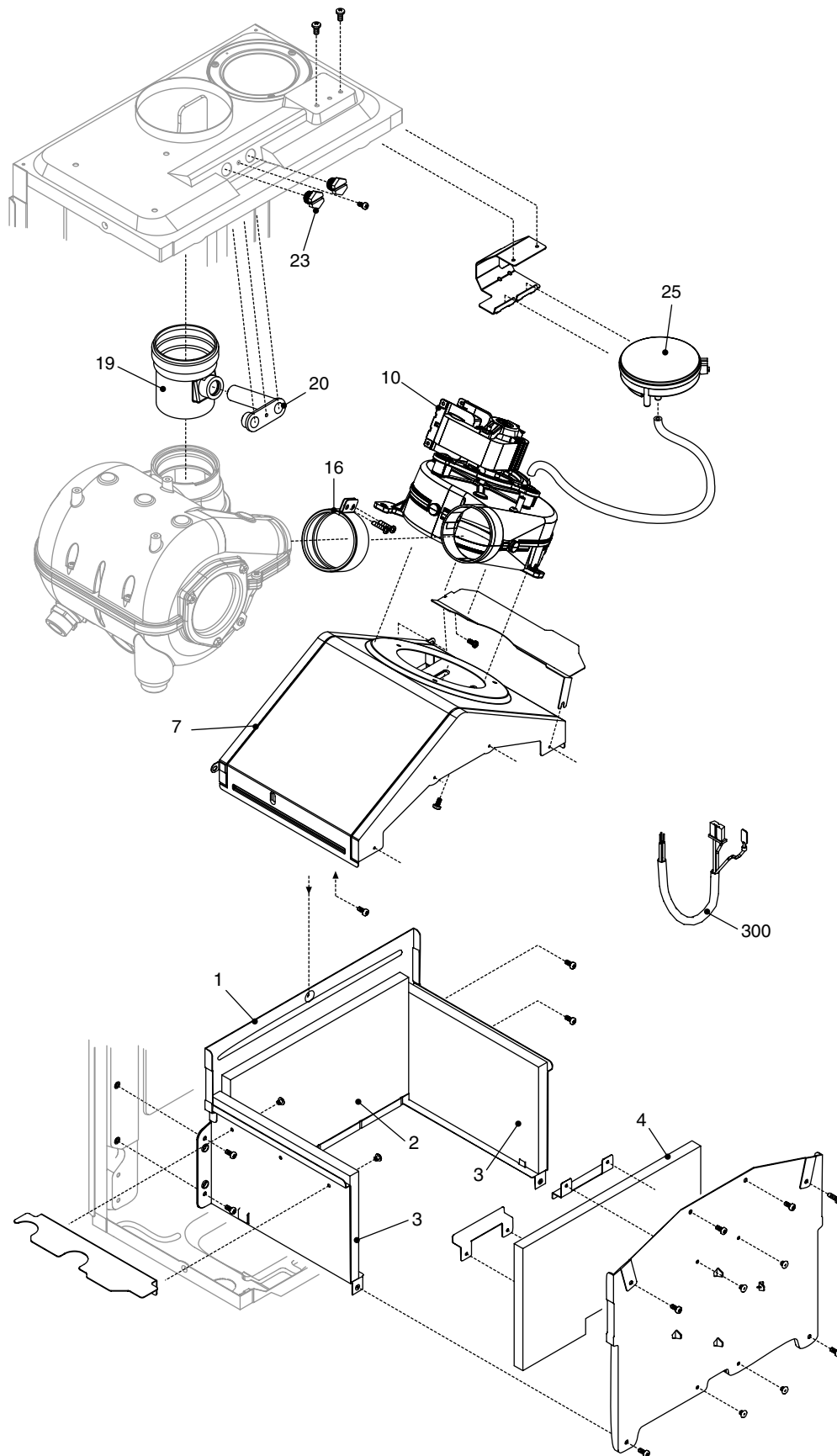
POS.	DESCRIPTION	25E	29E
1	Expansion vessel	R2204	R2204
2	Flexible pipe	R10023603	R10023603
3	Circulation pump	R10027370	R10027370
5	Automatic air vent bottle	R0439	R0439
6	Pipe	R10025961	R10026412
7	Pipe	R10024312	R10024130
8	Heat exchanger	R10024578	R10024579
9	Pipe	R10021041	R10021041
10	Pipe	R10025962	R10026413
25	Siphon	R10023495	R10023495
27	Pipe	R10024440	R10024132
40	Siphon plug	R10023531	R10023531
45	Retarder	R10024136	R10024136
47	Condensing level detector	R10025212	R10025212
48	Pipe	R10024311	R10024129
49	Pipe	R10024313	R10024131
50	Siphon plug	R10024133	R10024133
66	Siphon pipe	R10026272	R10026272
200	Washer 24 x 17	R5023	R5023
201	Washer 18,5 x 11	R5026	R5026
202	Washer	R5041	R5041
277	Screw	R6903	R6903
287	Limit thermostat	R2258	R2258
288	O-Ring	R6898	R6898
289	Clip	R2223	R2223
290	Clip	R2165	R2165
292	O-Ring	R7999	R7999
370	O-Ring	R10023533	R10023533
371	Clip	R10023532	R10023532
372	Clip	R2588	R2588
393	O-Ring 4300	R10024141	R10024141
394	O-Ring R20	R10024142	R10024142
395	O-Ring OR R22	R10024143	R10024143
396	Connection kit	R01005292	R01005292
398	Clip	R10024336	R10024336
500	Condensing unit assembly	R01005291	R01005291
520	Sensor	R10027352	R10027352
532	Washer Ø 60	R10027540	R10027540
600	Condensing level detector cable	R10024121	R10024121
601	Pump cable	R10025963	R10025963



BURNER

Drawing 4

POS.	DESCRIPTION	25E	29E
1	Air box bottom	R10024449	R10024385
2	Ambidx air box side	R10024166	R10024166
3	Air box clip	R0442	R0442
4	Burner	R10023168	R10022980
5	Spark electrode	R10025891	R10025891
9	NG plate	R5172	R5172
10	Gas valve solenoid	R10020838	R10020838
12	Gas pipe	R1839	R1839
13	Gas valve	R10025074	R10025074
14	Gas pipe	R1840	R1840
15	Gas cock	R1787	R1787
16	Air box cover	R10020216	R10020217
17	Wascher	R5072	R5072
18	Glass	R3139	R3139
19	Glass flange	R4007	R4007
21	Washer	R5905	R5905
200	Washer	R5023	R5023
332	Thermostat	R2600	R2600
351	Nut	R1823	R1823
400	Gas valve cable	R10021947	R10021947
401	Gas valve coil cable	R10022112	R10022112
500	N.G conversion kit	R01005225	R01005225



COMBUSTION COMPONENTS

Drawing 5

POS.	DESCRIPTION	25E	29E
1	Combustion chamber assembly	R10025935	R10026406
2	Combustion chamber back panel	R5270	R5316
3	Combustion chamber lateral panel	R5271	R5271
4	Combustion chamber front panel	R5269	R5315
7	Hood assembly	R10025934	R10026405
10	Fan	R10025938	R10026407
16	Clamp for tube	R10024126	R10024126
19	Fan flue connection	R10024137	R10024137
20	Block with combustion analysis check	R10026933	R10026933
23	Brass cap	R8086	R8086
25	Pressure differential switch	R2677	R2677
300	Combustion-fan cable	R10025941	R10026408

REV.	DATA	DESCRIZIONE
1.0	23/06/04	Inserito modello 29 E
2.0	22/03/05	Modifiche varie
3.0	01/03/06	Modifiche varie
4.0	28/12/06	Modifiche varie



Vokera reserve the right to change the specifications without prior notice.
Consumers' statutory rights are not affected.