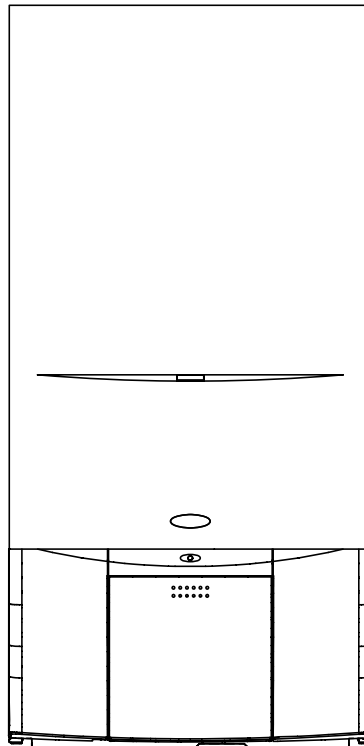
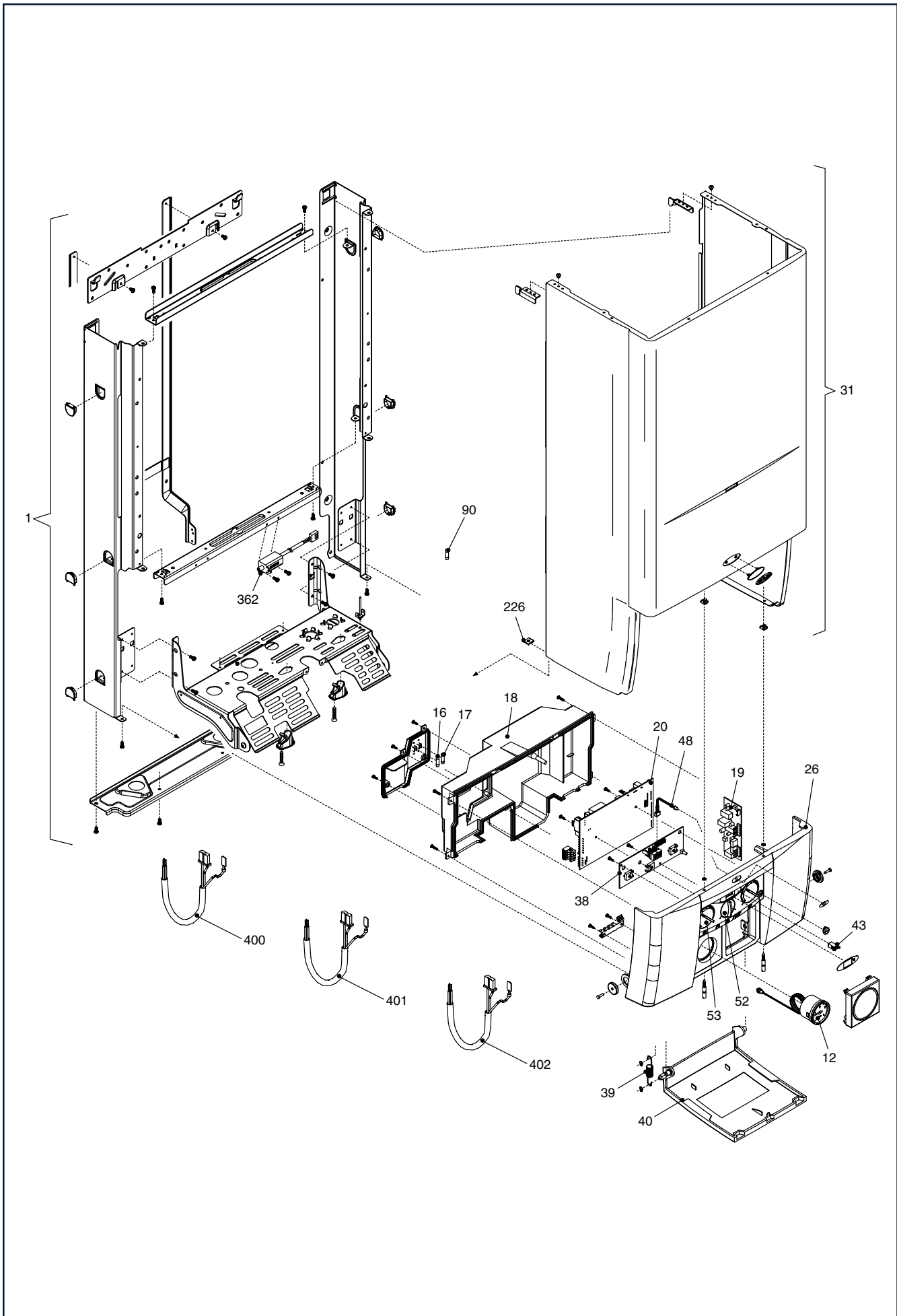


Wall hung boilers

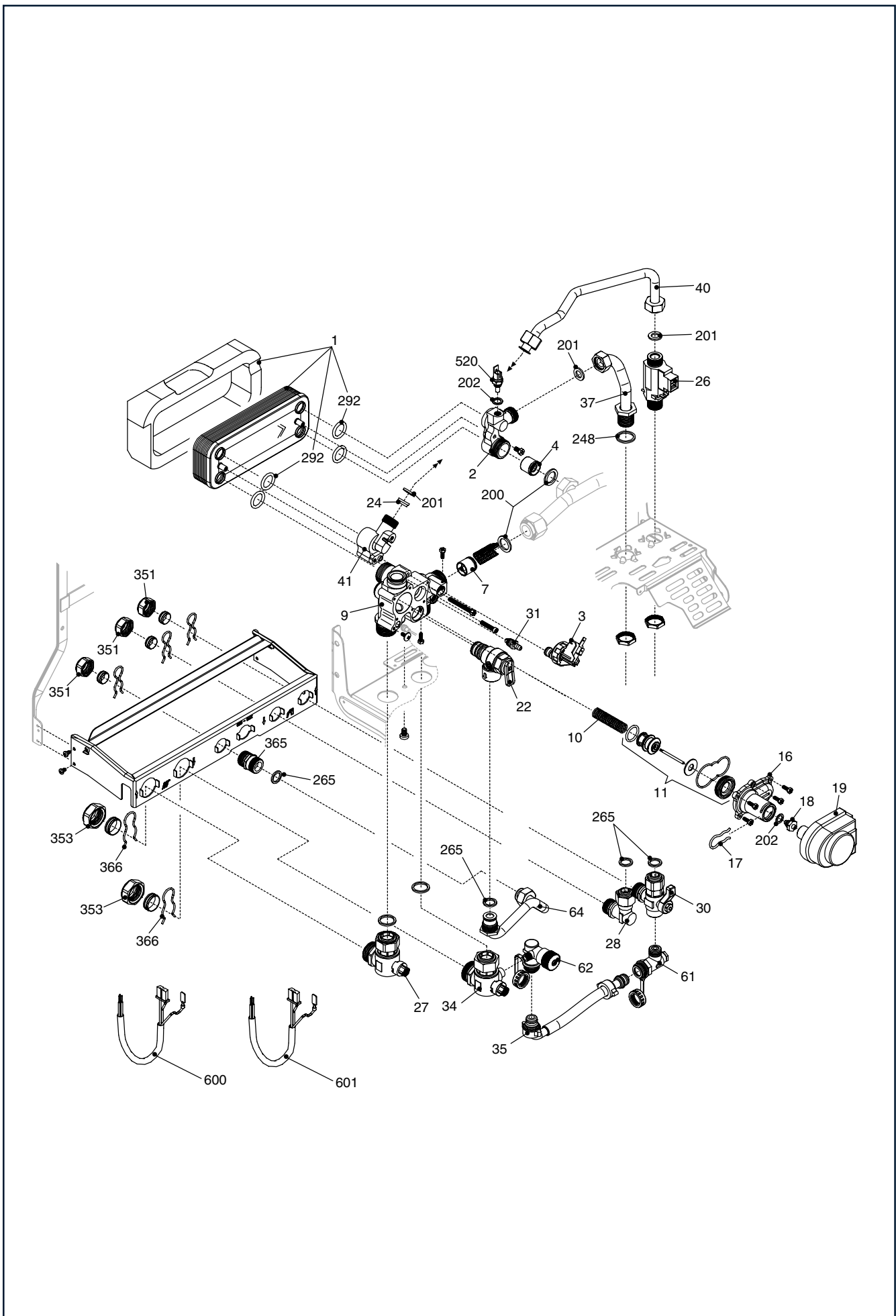
Syntesi E



MODEL	PART NUMBER	
	NG	LPG
SYNTESI 25E	2350813	2350815
SYNTESI 29E	2350843	-



POS.	DESCRIPTION	25 E	29 E
1	Frame	R01005288	R01005289
12	Quick primer pressure gauge	R1857	R1857
16	2A fuse	R8968	R8968
17	100 mA fuse	R1947	R1947
18	Cover	R10021849	R10021849
19	Ignition module	R10028891	R10028891
20	Printed Circuit Board	R10025911	R10025911
26	Instrumental panel	R10021951	R10022015
31	Case	R1880	R1922
38	Printed Circuit Board	R10024558	R10024558
39	Spring	R1862	R1862
40	Door panel	R10024508	R10024508
43	Push-push cover	R1864	R1864
48	Led Light Guide	R1858	R1858
52	Selector knob kit	R01005073	R01005073
53	Control knob kit	R01005072	R01005072
90	3A fuse	R3478	R3478
226	Edge clip	R5128	R5128
362	Transformer	R10022659	R10022659
400	Flat cable	R10021117	R10021117
401	Clock connection cable	R1780	R1780
402	Clock cable	R1980	R1980



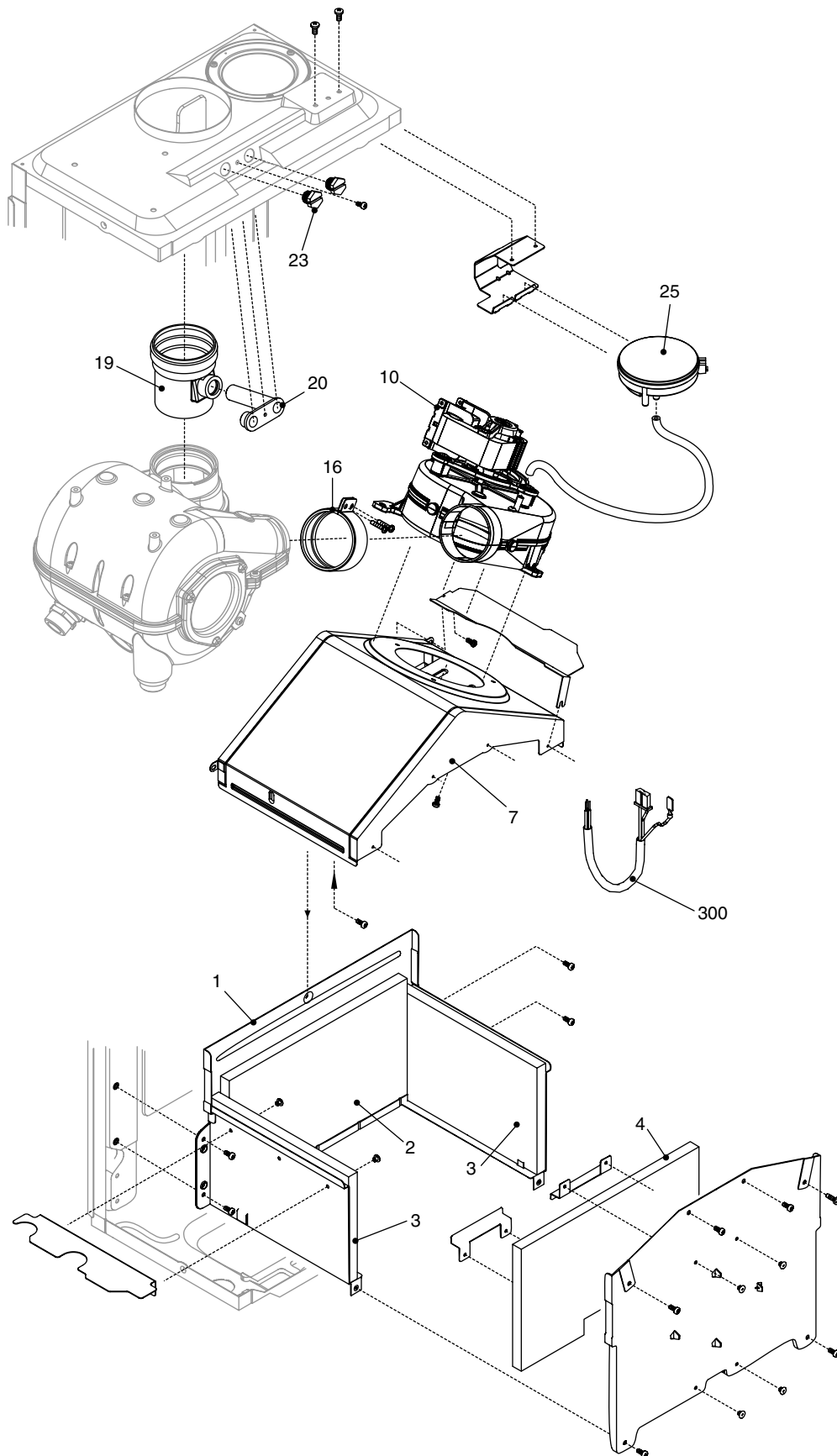
POS.	DESCRIPTION	25 E	29 E
1	Domestic water heat exchanger	R8036	R8037
2	Connection	R9807	R9807
3	Pressure switch	R10028141	R10028141
4	Non return valve	R2908	R2908
7	By-pass valve	R2047	R2047
9	Heating manifold	R10020439	R10020439
10	Spring	R6862	R6862
11	Three way valve overhaul kit	R01005127	R01005127
16	Three way valve cover	R2904	R2904
17	Fixing fork wrench	R2906	R2906
18	O ring connection	R6919	R6919
19	Motorized valve	R2905	R2905
22	Safety valve	R1806	R1806
24	White flow governor	R8008	R8009
24	Orange flow governor	R10024462	R10024462
24	Beige flow governor	-	R10020041
26	DHW actuator	R10022349	R10022349
27	Heating cock	R1789	R1789
28	Connection	R1790	R1790
30	Heating cock	R10023567	R10023567
31	Venting plugs kit	R01005137	R01005137
34	Heating cock	R10023566	R10023566
35	Flexible pipe	R10023570	R10023570
37	Pipe	R1631	R1631
40	Pipe	R10022125	R10022125
41	Connection	R2903	R2903
61	Non return valve	R10023569	R10023569
62	Filling cock	R10023568	R10023568
64	Pipe	R10023643	R10023643
200	Washer	R5023	R5023
201	Washer	R5026	R5026
202	Washer	R5041	R5041
248	Washer	R5208	R5208
265	Washer	R5236	R5236
266	Washer	R5237	R5237
292	O ring	R7999	R7999
351	Nut	R1823	R1823
353	Nut	R1824	R1824
365	Nipple	R1793	R1793
366	Clip	R1820	R1820
520	NTC sensor	R10027352	R10027352
600	Hydraulic control cable	R10024342	R10024342
601	Diverter valve cable	R1873	R1873

POS.	DESCRIPTION	25 E	29 E
1	Expansion vessel	R2204	R2204
2	Flexible pipe	R10023603	R10023603
3	Circulation pump	R10020437	R10020437
4	Pump cable	R1845	R1845
5	Automatic air vent bottle	R0439	R0439
6	Pipe	R10023195	R10023202
7	Pipe	R10024312	R10024130
8	Heat exchanger	R10024578	R10024579
9	Pipe	R10021041	R10021041
10	Pipe	R10023198	R10023203
11	Bracket	R2940	R2940
25	Siphon	R10023495	R10023495
27	Pipe	R10024440	R10024132
28	Pump lock key	R9263	R9263
40	Siphon plug	R10023531	R10023531
45	Retarder	R10024136	R10024136
47	Condensing level detector	R10025212	R10025212
48	Pipe	R10024311	R10024129
49	Pipe	R10024313	R10024131
50	Siphon plug	R10024133	R10024133
66	Siphon pipe	R10026272	R10026272
200	Washer 24 x 17	R5023	R5023
201	Washer 18,5 x 11	R5026	R5026
202	Washer	R5041	R5041
277	Screw	R6903	R6903
287	Limit thermostat	R2258	R2258
288	O-Ring	R6898	R6898
289	Clip	R2223	R2223
290	Clip	R2165	R2165
370	O-Ring	R10023533	R10023533
371	Clip	R10023532	R10023532
372	Clip	R2588	R2588
393	O-Ring 4300	R10024141	R10024141
394	O-Ring R20	R10024142	R10024142
395	O-Ring OR R22	R10024143	R10024143
396	Connection	R01005292	R01005292
398	Clip	R10024336	R10024336
500	Condensing unit assembly	R01005291	R01005291
520	Sensor	R10027352	R10027352
532	Washer Ø 60	R10027540	R10027540
600	Condensing level detector cable	R10024121	R10024121

BURNER

Drawing 4

POS.	DESCRIPTION	25 E	29 E
1	Air box bottom	R10024449	R10024385
2	Ambidx air box side	R10024166	R10024166
3	Air box clip	R0442	R0442
4	Burner	R10023168	R10022980
5	Spark electrode	R10025891	R10025891
9	NG plate	R5172	R5172
10	Gas valve solenoid	R10020838	R10020838
12	Gas pipe	R1839	R1839
13	Gas valve	R10025074	R10025074
14	Gas pipe	R1840	R1840
15	Gas cock	R1787	R1787
16	Air box cover	R10020216	R10020217
17	Wascher	R5072	R5072
18	Glass	R3139	R3139
19	Glass flange	R4007	R4007
21	Washer	R5905	R5905
200	Washer	R5023	R5023
332	Thermostat	R2600	R2600
351	Nut	R1823	R1823
400	Gas valve cable	R10021947	R10021947
401	Gas valve coil cable	R10022112	R10022112
500	N.G. conversion kit	R01005225	R01005225



COMBUSTION COMPONENTS

Drawing 5

POS.	DESCRIPTION	25 E	29 E
1	Combustion chamber assembly	R10025935	R10026406
2	Combustion chamber back panel	R5270	R5316
3	Combustion chamber lateral panel	R5271	R5271
4	Combustion chamber front panel	R5269	R5315
7	Hood assembly	R10025934	R10026405
10	Fan	R10025938	R10026407
16	Clamp for tube	R10024126	R10024126
19	Fan flue connection	R10024137	R10024137
20	Block with combustion analysis check	R10026933	R10026933
23	Brass cap	R8086	R8086
25	Pressure differential switch	R2677	R2677
300	Combustion - fan cable	R10025941	R10026408

REV.	DATA	DESCRIZIONE
1.0	22/06/04	Inserito modello 29 E
2.0	22/03/05	Modifiche varie
3.0	23/02/06	Modifiche varie
4.0	28/12/06	Modifiche varie



Vokera reserve the right to change the specifications without prior notice.
Consumers' statutory rights are not affected.