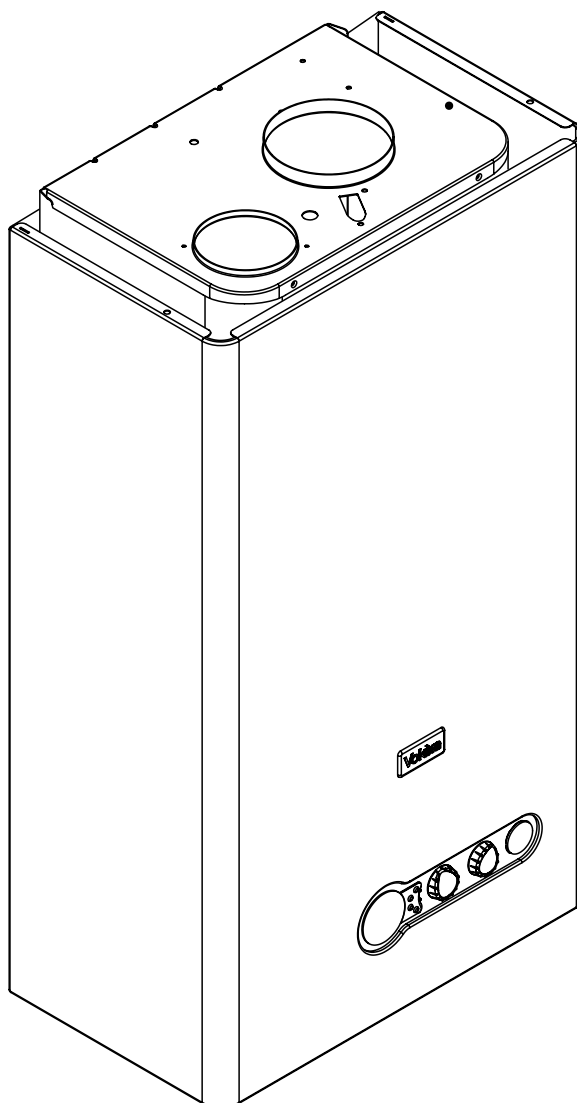
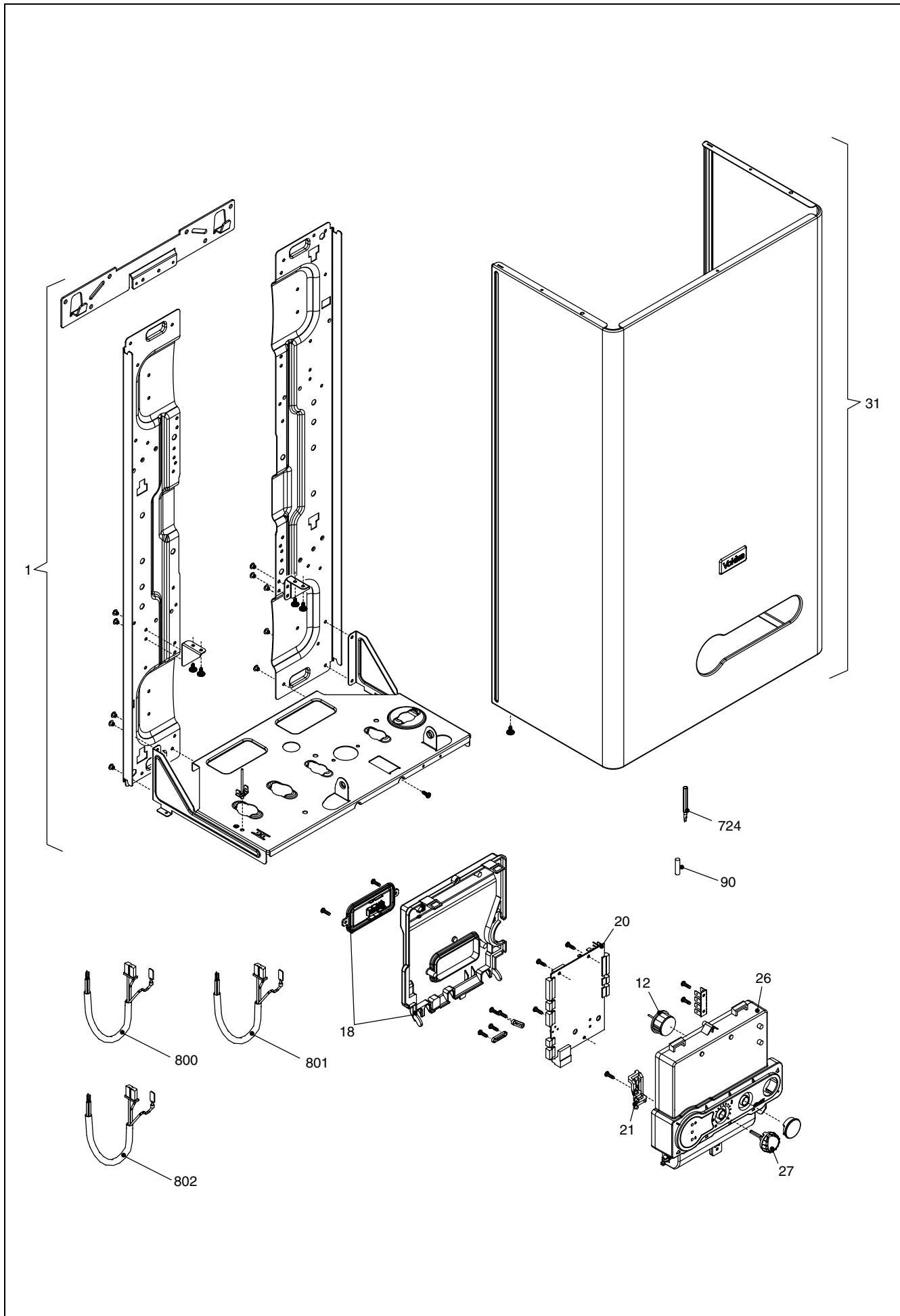


Wall hung boilers

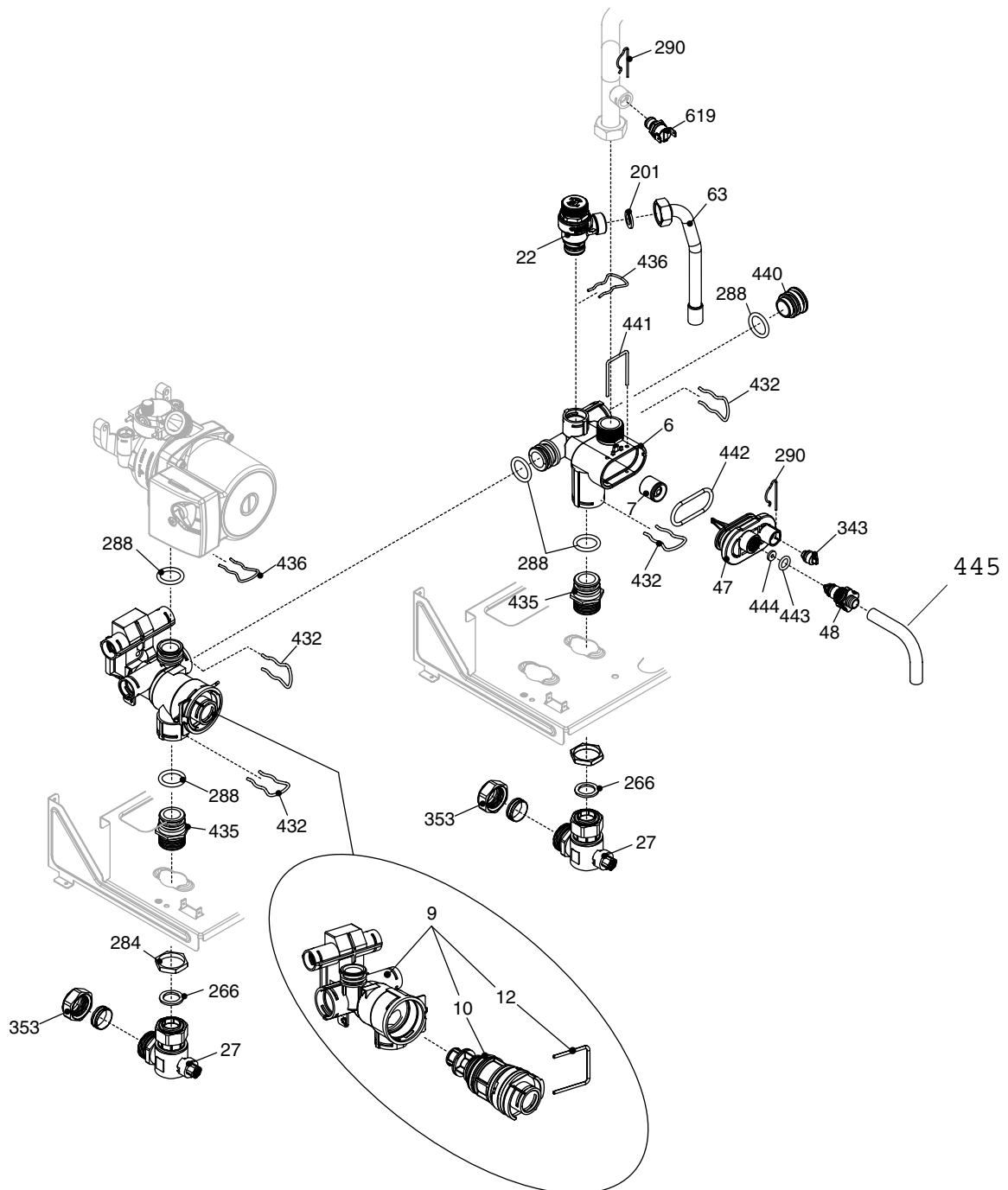
Vision 20 S



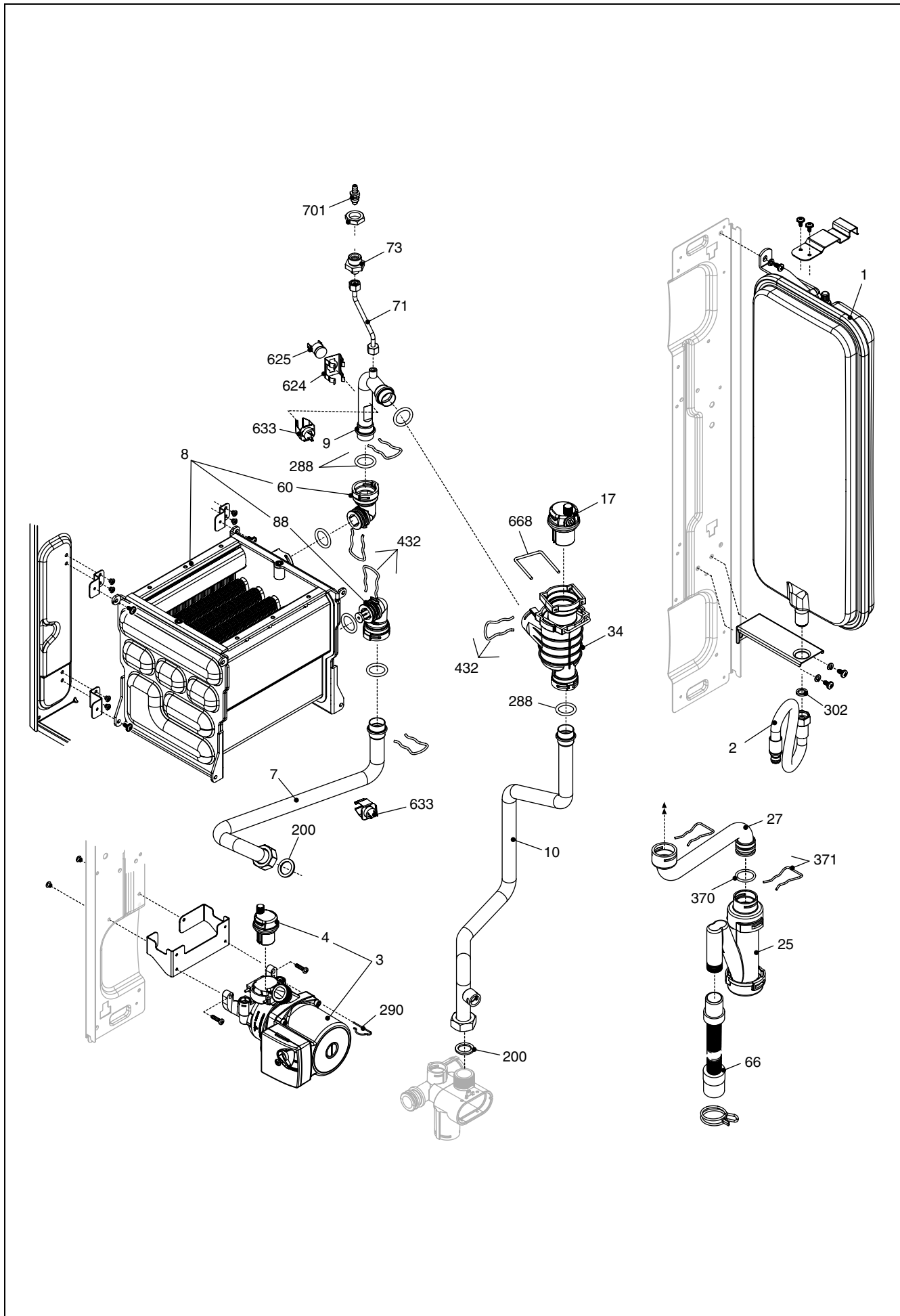
MODEL	PART NUMBER	
	MTN	GPL
Vision 20 S	20053502	-



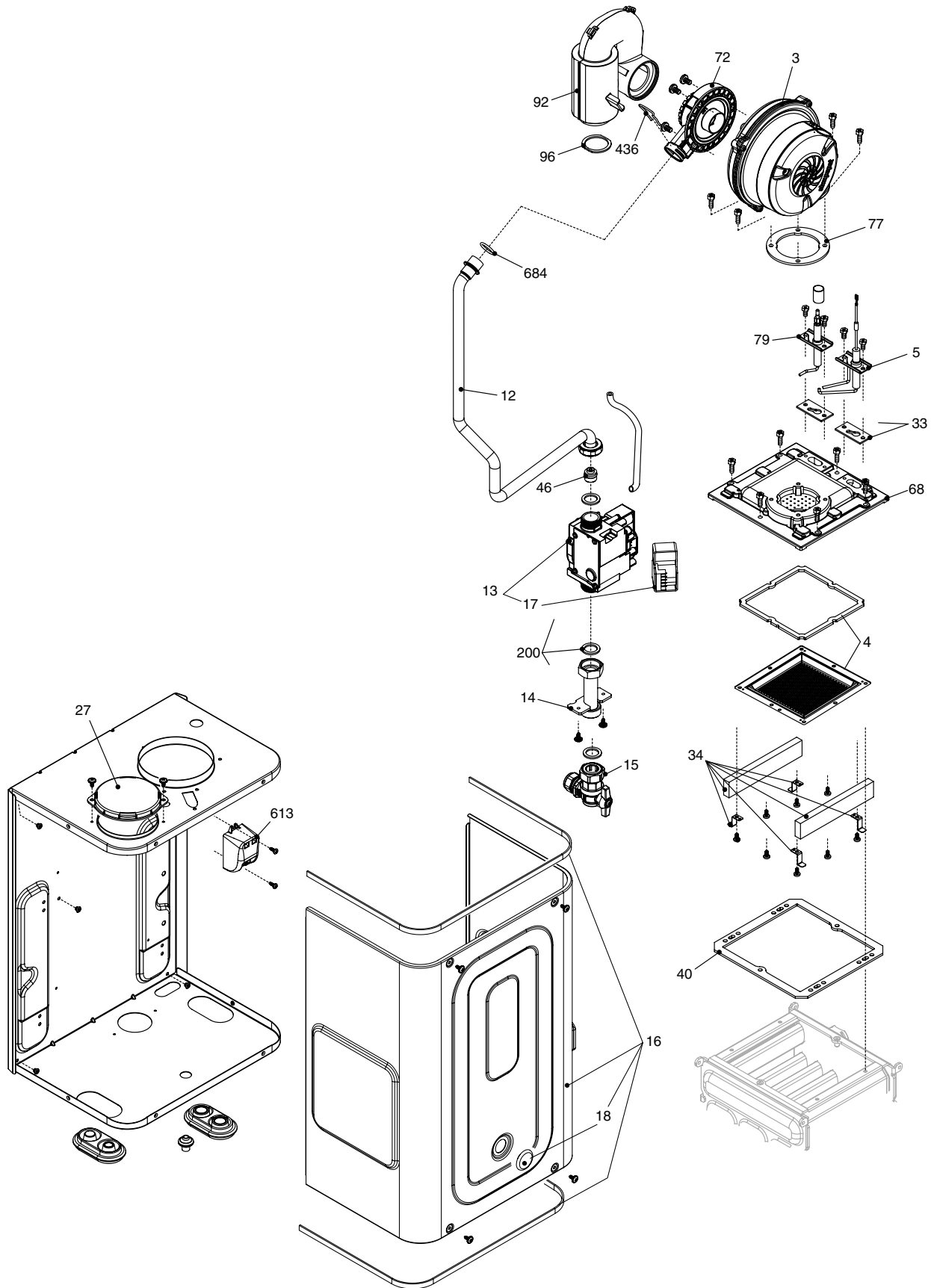
POS.	DESCRIPTION	20S
2	Frame assembly	20049618
12	Quick primer pressure gauge	20049617
18	Control panel cover	20057326
20	Printed circuit board	20055454
21	Led light guide	20057350
26	Front panel	20057351
27	Knob	20057330
31	Case Assembly	20057328
90	GWYk `8 fjj Yf	3478
724	Nut screw	2455
800	Cable	1547
801	Low tension cable	20035502
802	Power wiring harness	20005572



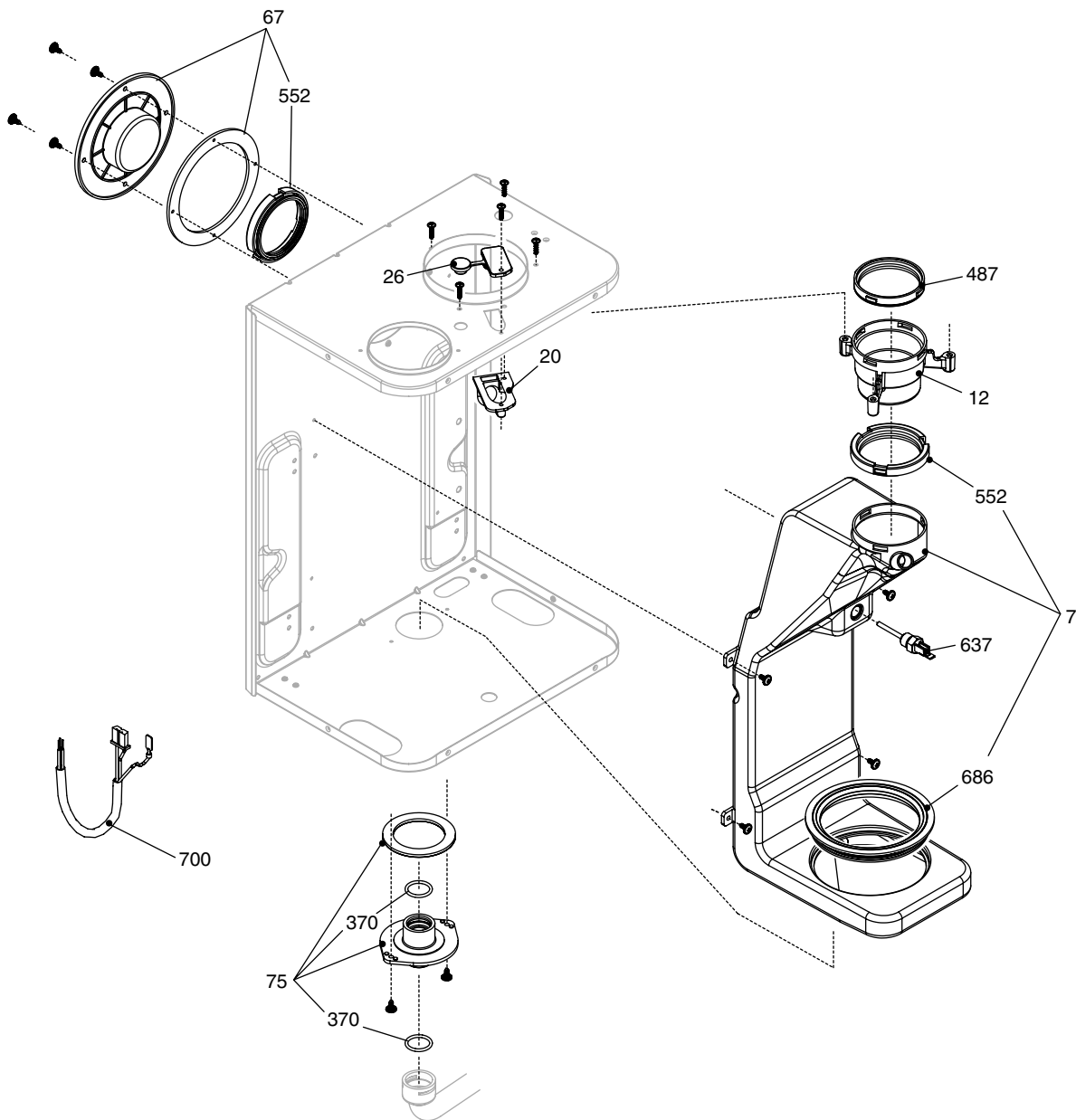
POS.	DESCRIPTION	20S
6	By-pass casing	10024641
9	Heating manifold and cartridge	10027768
10	3 way valve cartridge	10025305
12	:]l]b[' : cf_ 'K fYbW	10025450
22	Safety valve	20043820
27	Heating cock	1789
47	Cover for by-pass assembly	10024643
48	8]gW Uf[YJUj Y	10024646
63	Pipe	20025755
201	Washer	5026
266	Washer	5237
288	Ring	6898
290	Locking Pin	2165
343	Pump plug	2216
353	Nut	1824
432	Locking Pin	10024958
435	Fitting/union	10025059
436	Locking Pin	10025062
440	Automatic by-pass plug	10024645
441	Locking Pin	10025063
442	O ring	10025065
443	O ring	10025064
444	Washer	10025066
445	G]]Wt bY tube	10025068
619	Water Pressure Switch	20003181



POS.	DESCRIPTION	20S
1	Expansion vessel	20029826
2	Pipe	10028603
3	Pump Kit	20039926
4	Air vent bottle	10025485
7	Pipe	20025763
8	Condensing exchanger assembly	20039923
9	Pipe	20025764
10	Pipe	20025744
17	Air vent valve	20019768
25	Siphon	20025733
27	Pipe	20025743
34	Air Separator	20019888
60	Connection	20039953
66	Flexible pipe	10027545
71	Pipe	20025746
73	Cock	10028431
88	Connection	20039954
200	Washer	5023
288	Ring	6898
290	Locking Pin	2165
302	Washer	5025
370	O ring	10023533
371	Clip	10023532
432	Clip	10024958
624	Thermostat Clip	5472
625	High limit thermostat	20005585
633	NTC sensor	20003819
668	Clip	20019767
701	Vent plug	10023235



POS.	DESCRIPTION	20S
3	Fan	20002995
4	Burner	20044892
5	Ignition electrode	20025737
12	Pipe	20025745
13	Gas valve	20039202
14	Gas pipe	20005553
15	3/4" gas cock	10020897
16	Combustion chamber cover	20005594
17	Gas valve solenoid	20040675
18	Plug	20005550
27	Hole cover	20005586
33	Seal ignition electrode	20025740
34	Protection	20044890
40	Washer	20044894
46	NG Jet	2353
68	Cover	20044895
72	Mixer	20025761
77	Washer	20025753
79	Ionisation Electrode	20043523
92	Suction pipe	20025760
96	Diaphragm	20041058
200	Washer	5023
436	Clip	10025062
613	Ignition transformer	20001563
680	Washer	20024869



POS.	DESCRIPTION	20S
7	Conveyor	20055453
12	Flue drain connection	10028421
20	Outlet nut	20026049
26	Plug	20026058
67	Drain plug	20000118
75	Flue collector	20026056
370	O ring	10023533
487	Washer Ø 60	10026345
552	Washer Ø 60	10028426
637	Flue sensor	20007050
686	Washer	20026059
700	Combustion cable	20025736



Vokera reserve the right to change the specifications without prior notice.
Consumers' statutory rights are not affected.