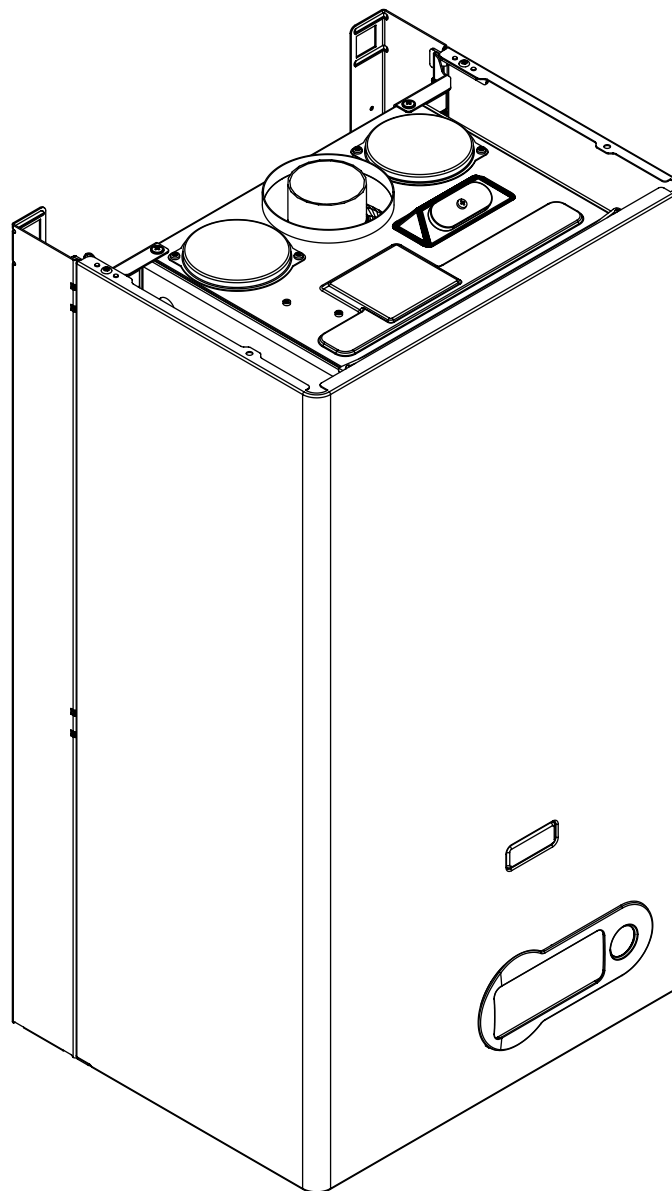
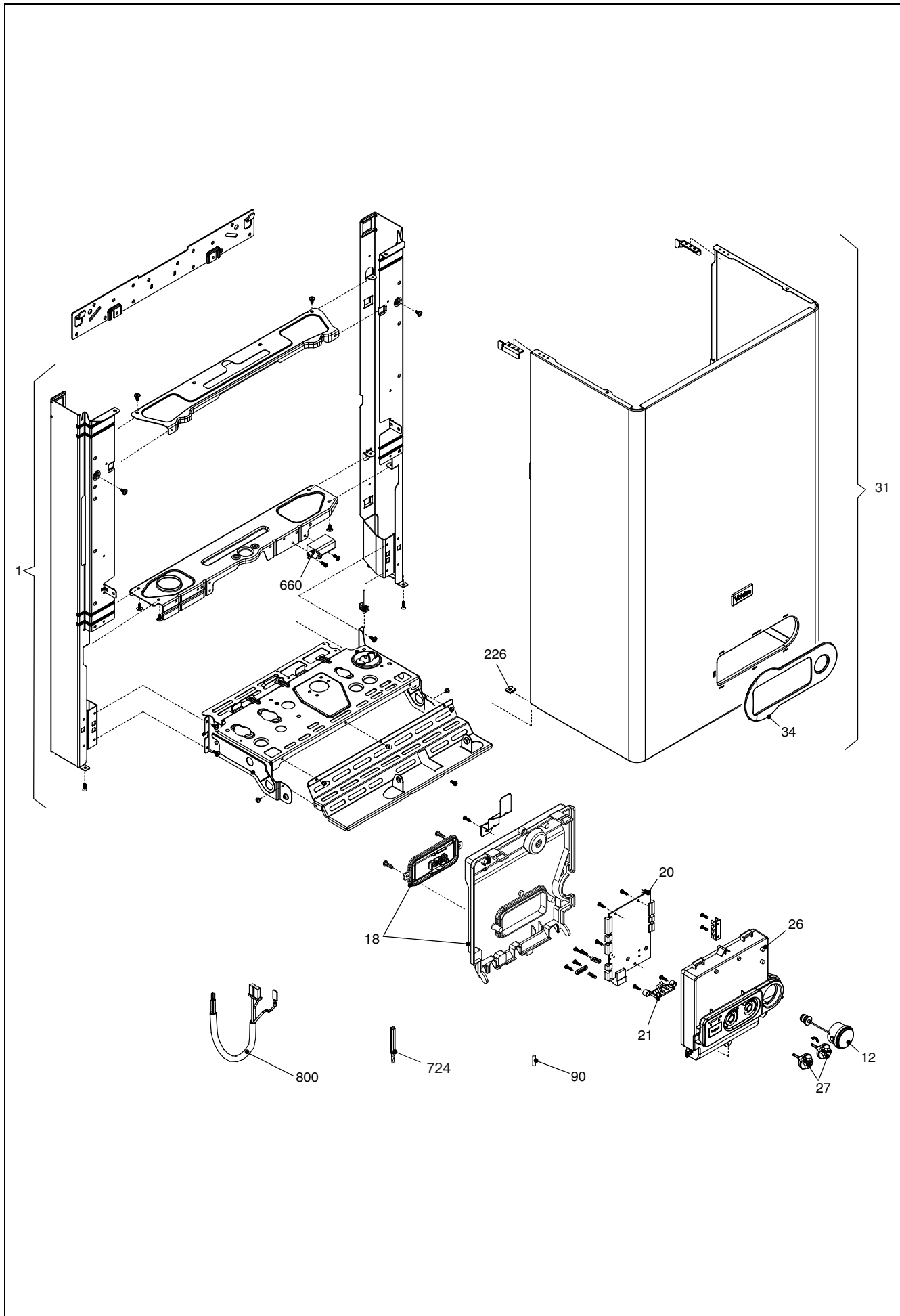


Wall hung boilers

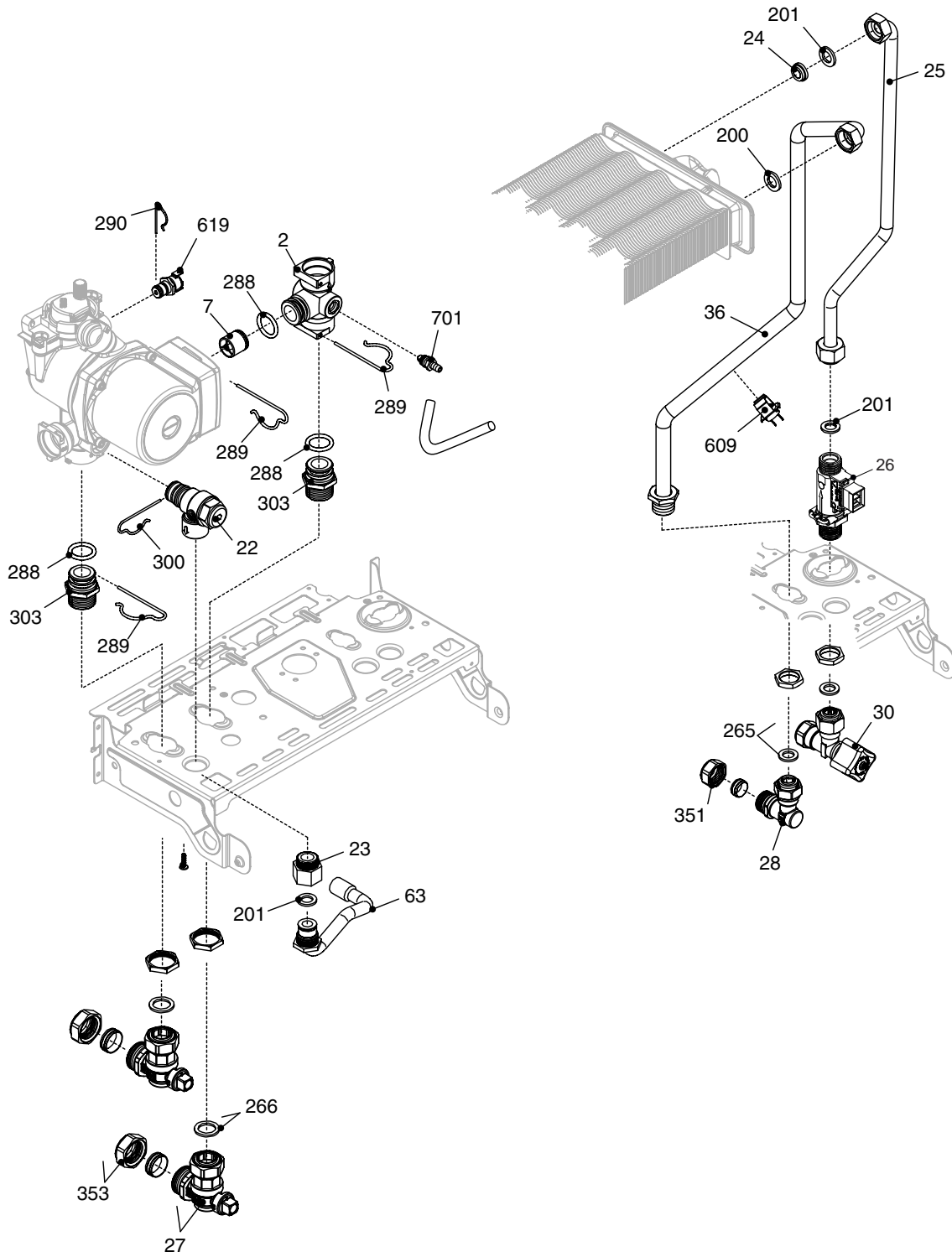
Compact 28 SE



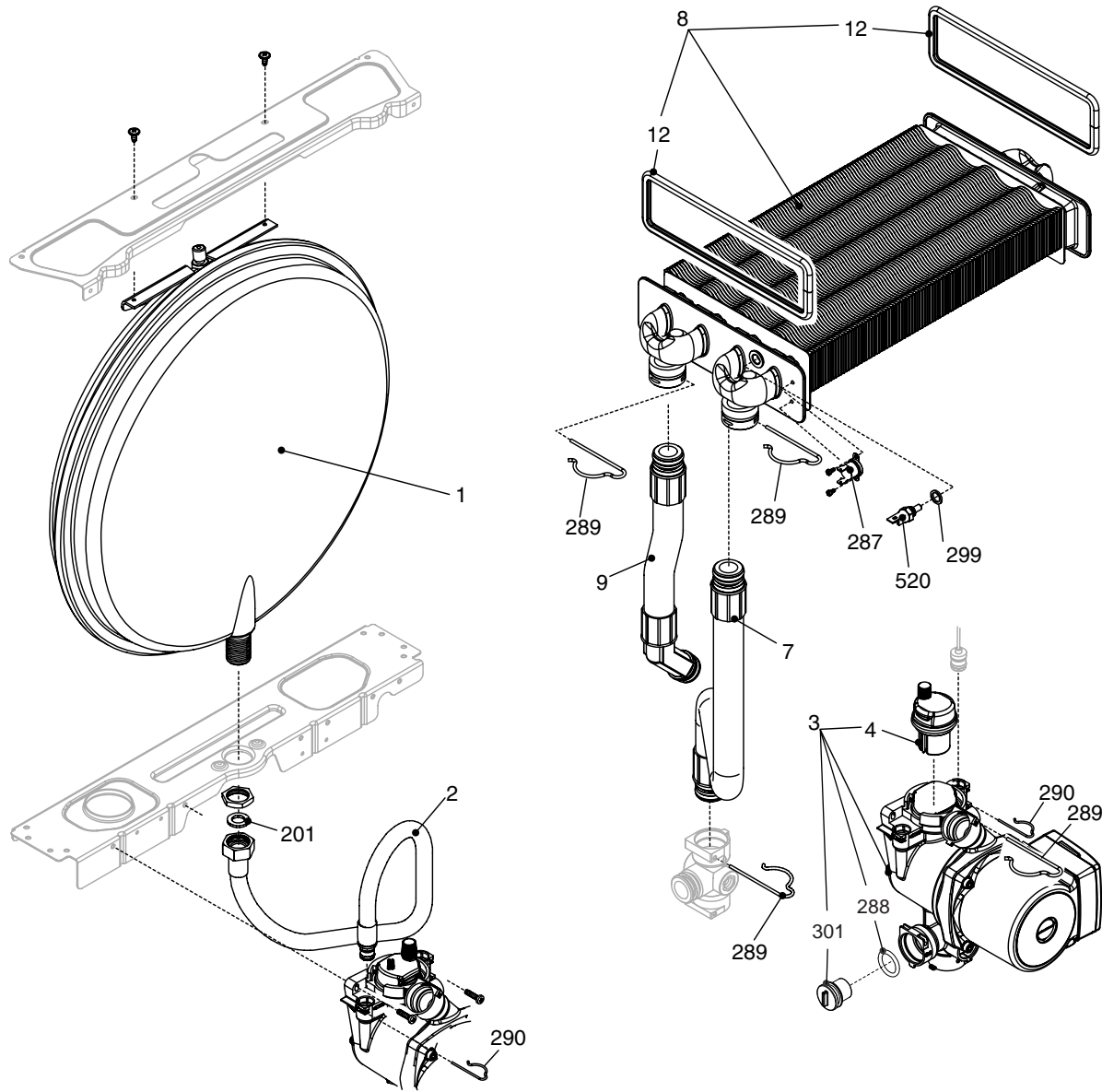
MODEL	PART NUMBER	
	MTN	GPL
Compact 28 SE	20022803	-



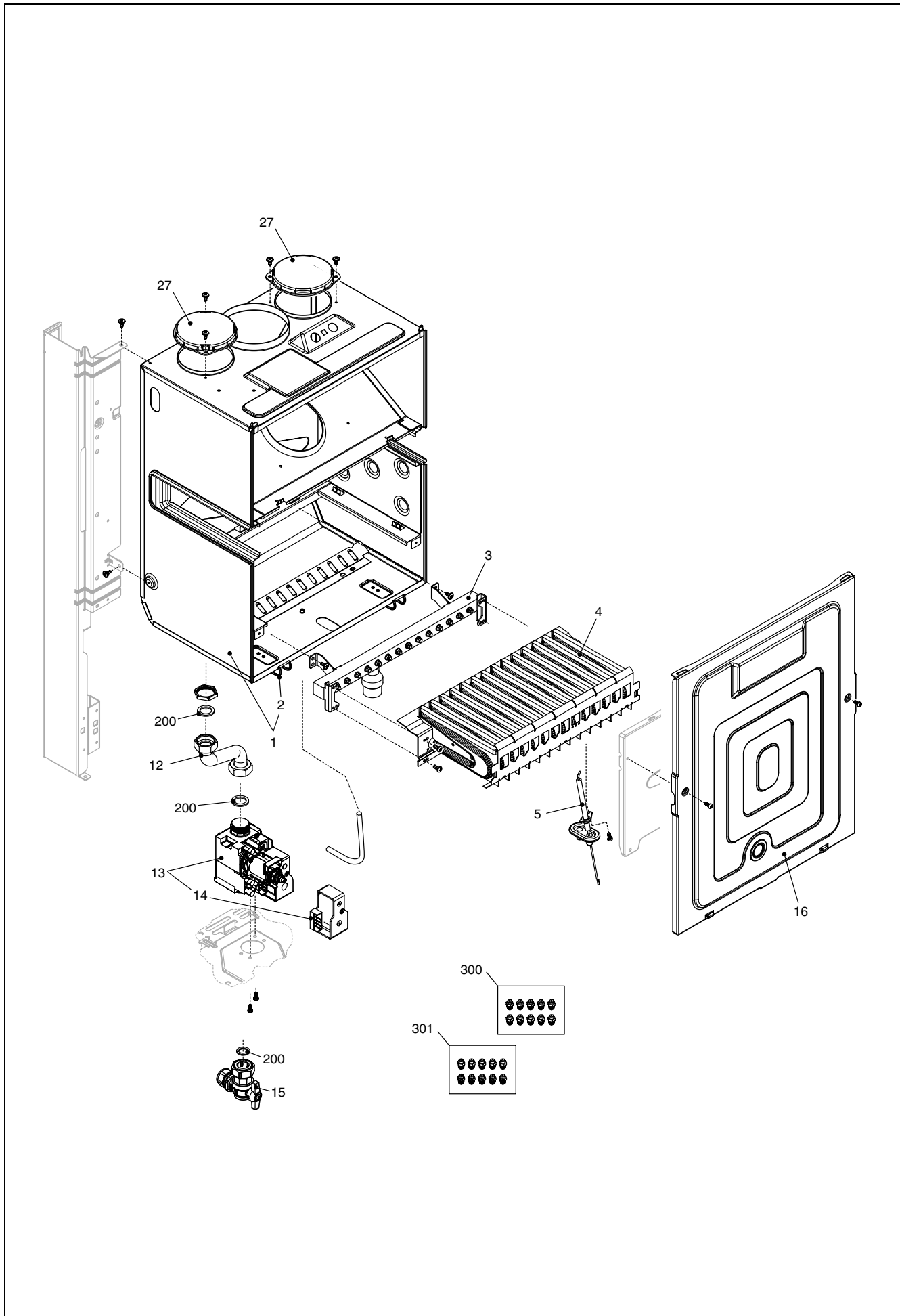
POS.	DESCRIPTION	28se
1	Frame assembly	20020300
12	Quick primer pressure gauge	20005580
18	Control panel cover	20026055
20	Printed circuit board MP08	20005569
21	led light guide	20013352
26	Control panel	20035608
27	Control knob	20014025
31	Case Assembly	20035613
34	Fixing flange	20026728
90	Fuse	R3478
226	Clip	R5128
660	Ignition transformer	20013354
724	Calibration screwdriver	R2455
800	Cable	R1547
800	Power wiring harness	20035405
800	Low tension cable	20013350



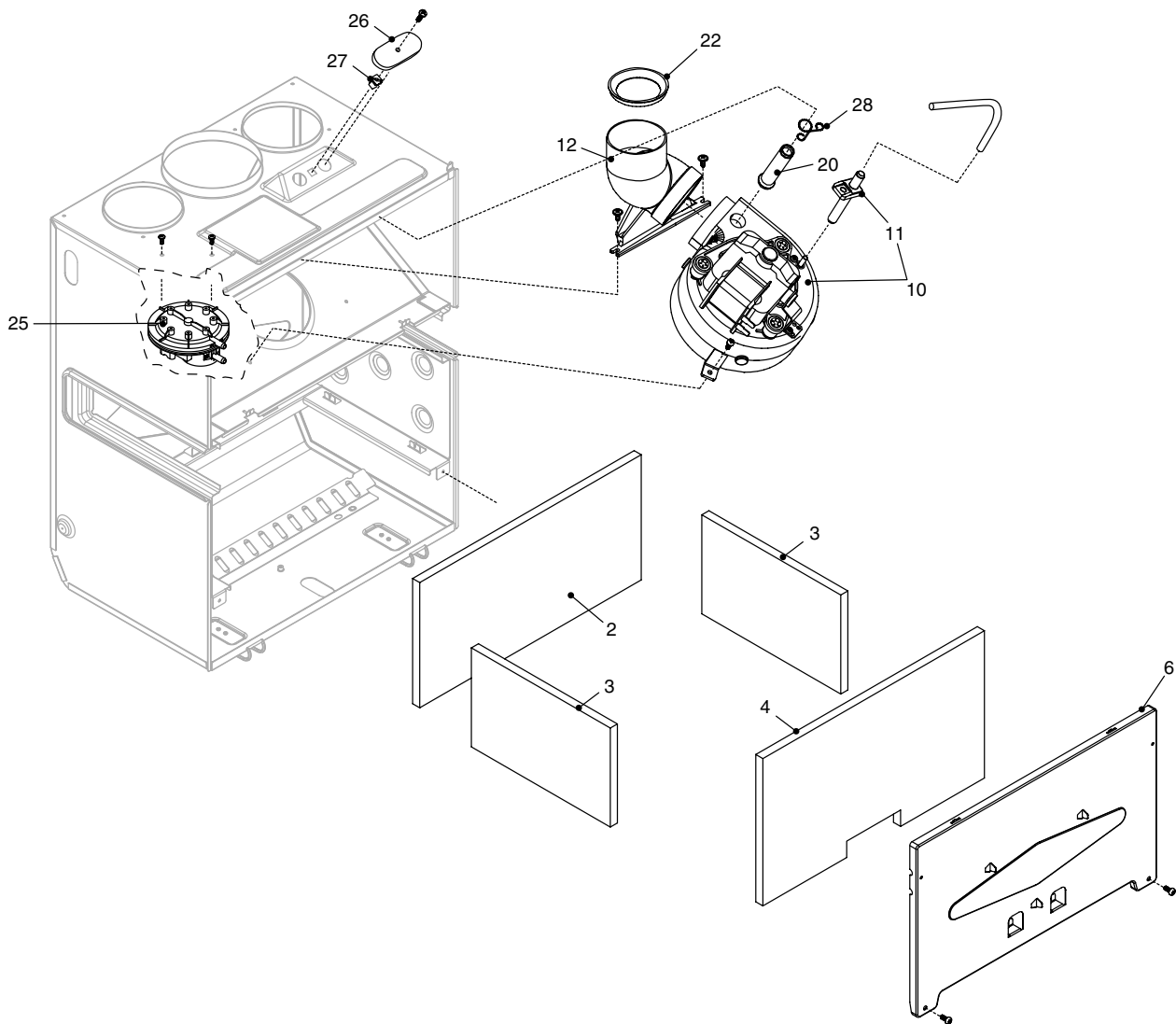
POS.	DESCRIPTION	28se
2	Connection	R10022658
7	By-pass valve	R2047
22	Safety valve	R2907
23	Fitting/union	R10022499
24	Flow governor	R9430
25	Pipe	R10023950
26	Dhw actuator	20073700
27	Heating cock	R1789
28	Connection	R1790
30	Water supply stop cock	R7099
36	Pipe	20013353
48	Cock	20000533
63	Pipe	20035609
201	Washer	R5026
265	Washer	R5236
266	Washer	R5237
288	Ring	R6898
289	Clip	R2223
290	Clip	R2165
300	Clip	R2222
303	Fitting/union	R2217
351	Nut	R1823
353	Nut	R1824
604	Clip	20000539
609	NTC-sensor	20075973
619	Pressure	20003181



POS.	DESCRIPTION	28se
1	Expansion vessel	R2204
2	Pipe	R10023603
3	Pump	20002906
4	Degasser	20035019
7	Pipe	R10023948
8	Heat exchanger	R10023946
9	Pipe	R10023947
12	Washer	R2226
201	Washer	R5026
287	High limit	R2258
288	Ring	R6898
289	Clip	R2223
290	Clip	R2165
299	Washer	R10022726
301	Automatic by-pass plug	R2261
520	NTC sensor	R10027352



POS.	DESCRIPTION	28se
1	Air box bottom	R10023904
2	Clips	20061168
3	Main burner injector manifold	R10023902
4	Burner	R10023901
5	Spark / ignition electrode	R10025985
12	Gas pipe	R10023996
13	Gas valve	20035533
14	Gas valve solenoid	20040675
15	3/4" gas cock	R10020897
16	Cover assembly	R10023928
27	Hole cover	20005586
200	Washer	R5023
300	Ng conversion kit	R01005225
301	LPG conversion kit	R01005409



POS.	DESCRIPTION	28se
2	Back insulatin panel	R10023909
3	Combustion chamber insulat.panel	R2231
4	Combustion chamber insulat.panel	R10023910
6	Combustion chamber front cover	R10026355
10	Fan	R10023907
11	Pressure tube	R10024191
12	Fan connection	R10021972
20	Fumes testing connection pipe	R10021973
22	Flue flange Ø 43	20020311
22	Flue flange Ø 45	20020309
22	Flue flange Ø 47	20020310
25	Pressure switch	R10023908
26	Plug	R10020624
27	Nut screw	R10020625
28	Clip	R10020626
100	Combustion cable	20013349

Rev.	data	Descrizione
1.0	01/04/2011	Aggiunte trasformazioni - E00120110138 : cablaggio alimentazione
2.0	13/09/2011	E00120110317 : nuova bobina valvola gas
3.0	29/03/2012	E00120120017 : revisione estetica
4.0	25/02/2013	E00120130138 : manopola comandi
5.0	25/07/2013	Aggiunto coperchio camera combustione - Corrette clip scatola aria E00120130618 : flussostato , sonda
6.0	21/02/2014	E00120131003 : flussostato
7.0	23/07/2014	E00120140114 : circolatore - E00120140337 : copertura posteriore parti elettriche



Vokera reserve the right to change the specifications without prior notice.
Consumers' statutory rights are not affected.