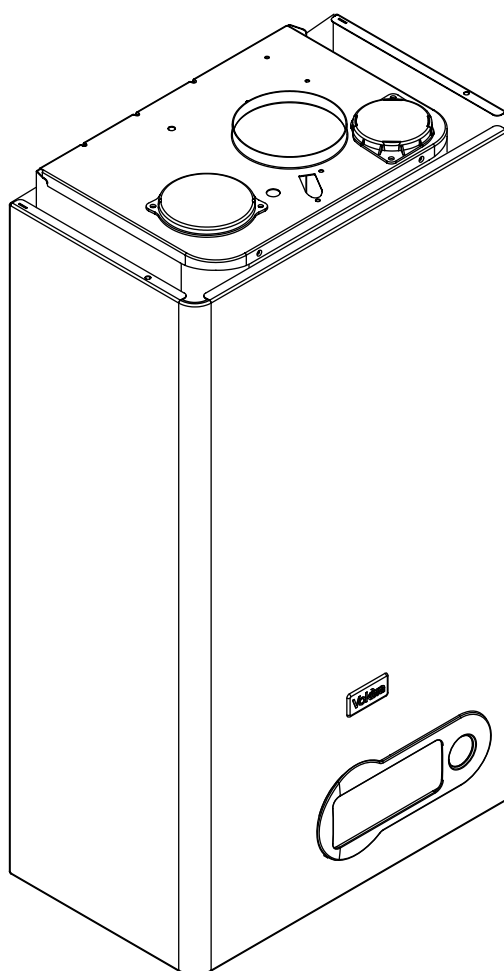
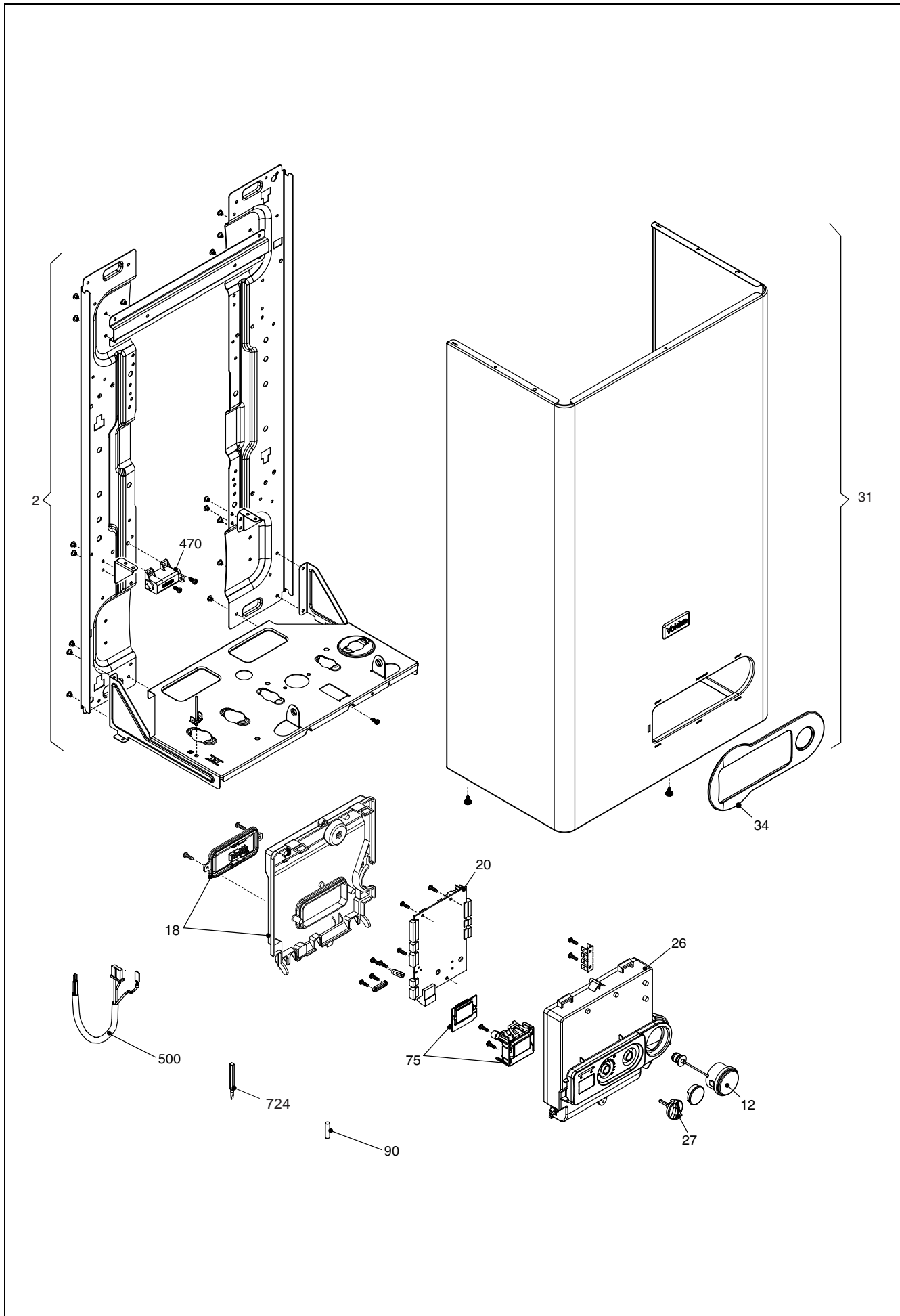


Wall hung boilers

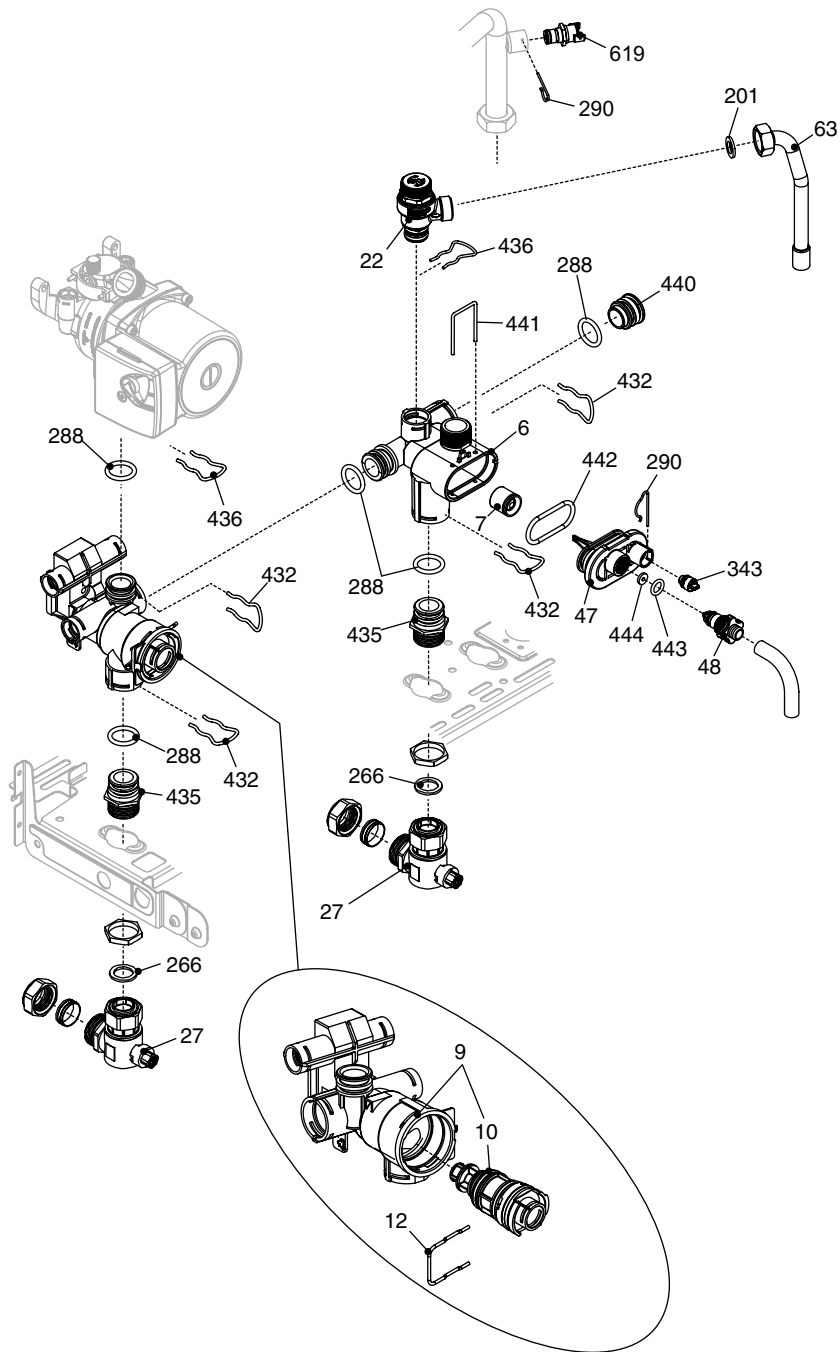
Mynute 24 SE



MODEL	PART NUMBER	
	MTN	GPL
Mynute 24 SE	20030333	-

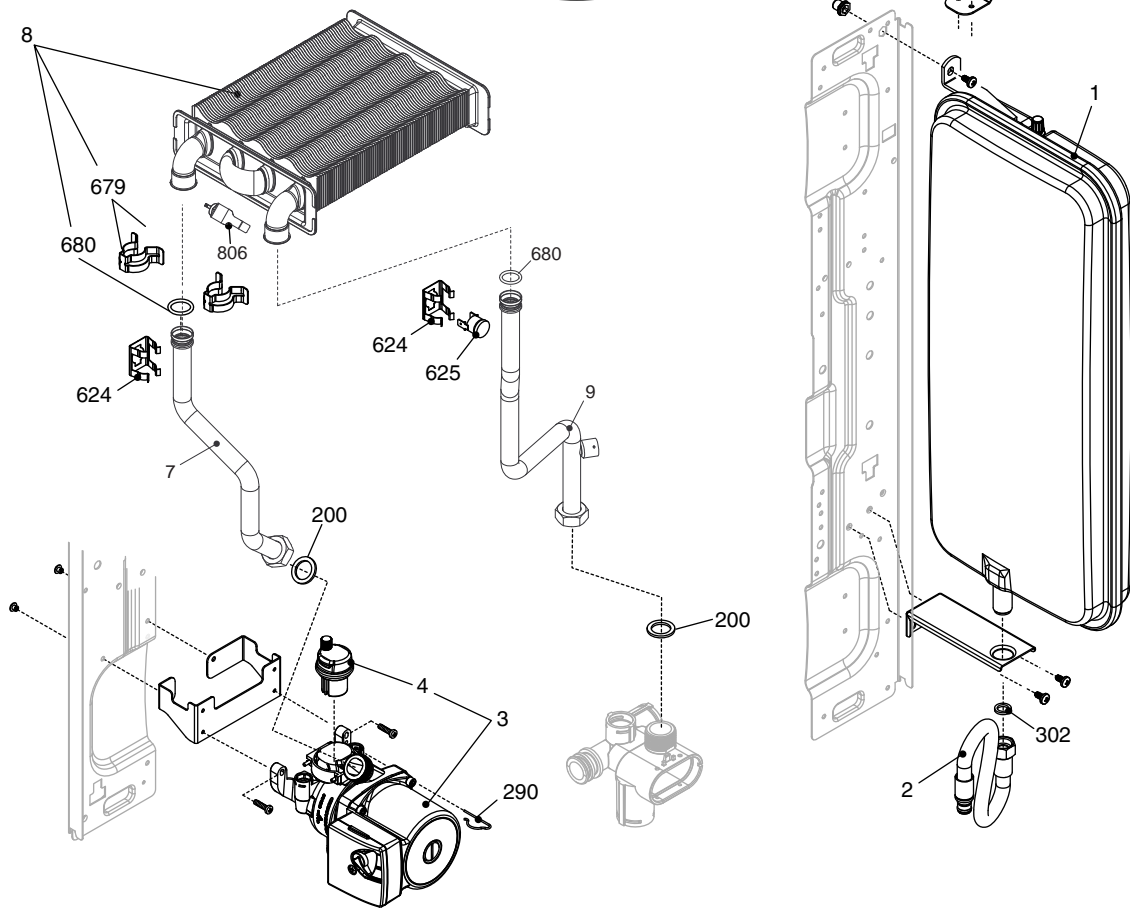
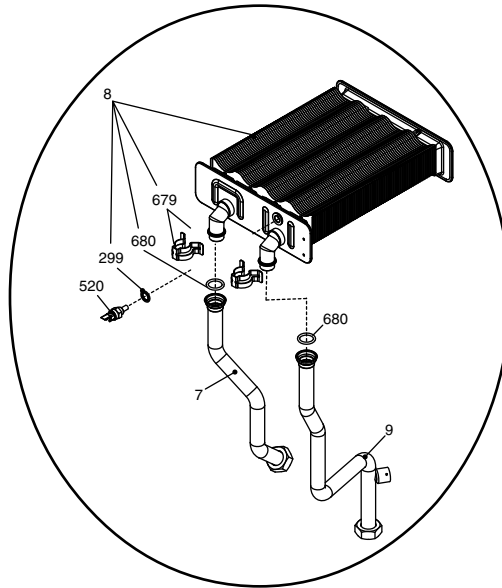


POS.	DESCRIPTION	24se
2	Frame assembly	20049618
12	Quick primer pressure gauge	20005580
18	Control panel cover	20026055
20	Printed circuit board	20011424
26	Instrumental panel	20035501
27	Control knob	20014025
31	Case Assembly	20048322
34	Fixing flange	20026728
75	Printed circuit board kit	20011443
90	Fuse	R3478
470	Ignition transformer TR6	R10026031
724	Calibration screwdriver	R2455
800	Power wiring harness	20035405
800	Low tension cable	20012544
800	Cable	R1547

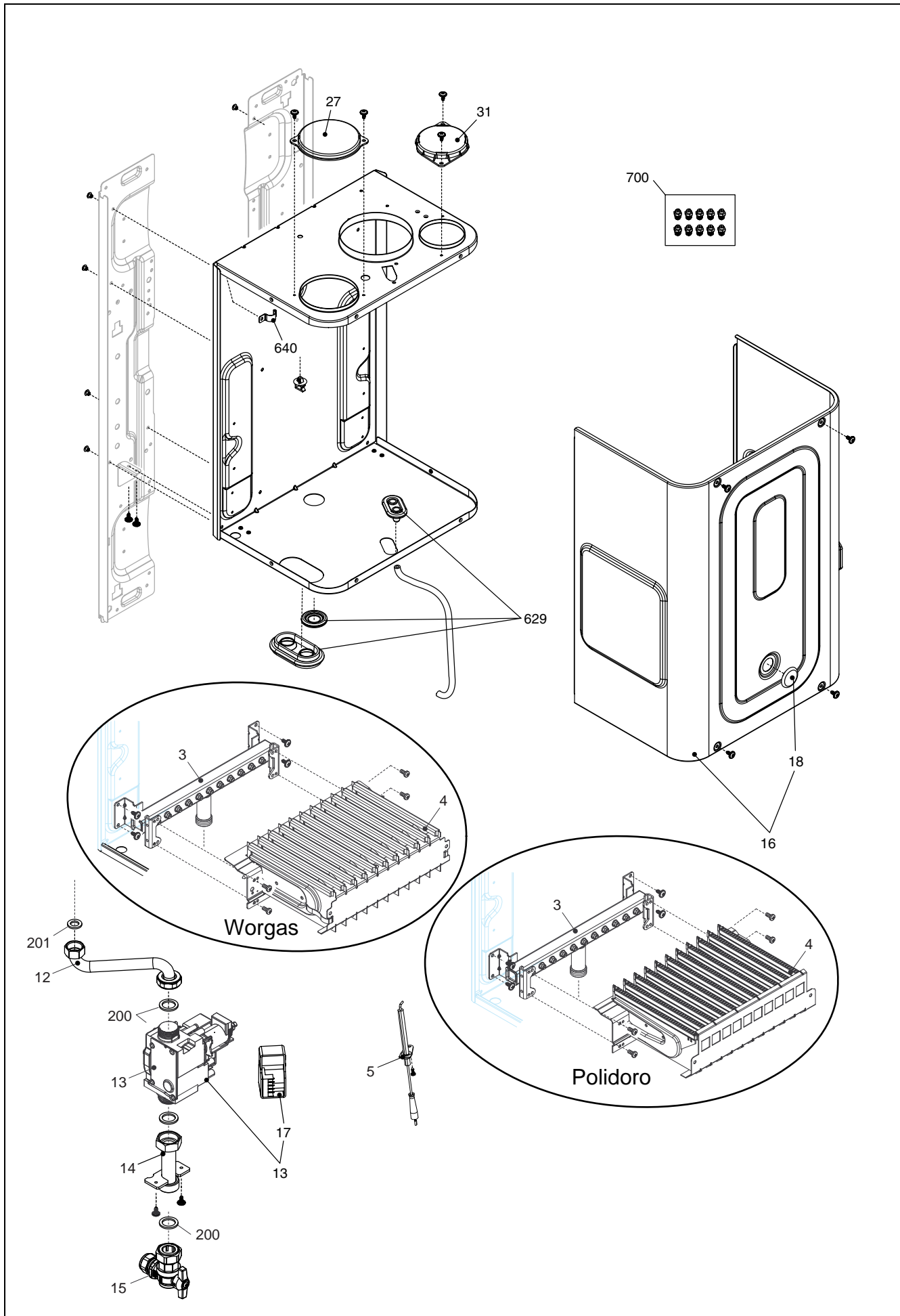


POS.	DESCRIPTION	24se
6	By-pass casing	R10024641
7	By-pass valve	R2047
9	Heating manifold and cartridge	R10027768
10	3 way valve cartridge	R10025305
13	Clip	R10025450
22	Safety valve	20043820
27	Heating cock	R1789
47	Cover for by-pass assembly	R10024643
48	Cock	R10024646
63	Pipe	20025755
201	Washer	R5026
266	Washer	R5237
288	Ring	R6898
290	Clip	R2165
343	Pump plug	R2216
353	Nut	R1824
432	Clip	R10024958
435	Fitting/union	R10025059
436	Clip	R10025062
440	Automatic by-pass plug	R10024645
441	Clip	R10025063
442	O ring	R10025065
443	O ring	R10025064
444	Washer	R10025066
619	Pressure	20003181

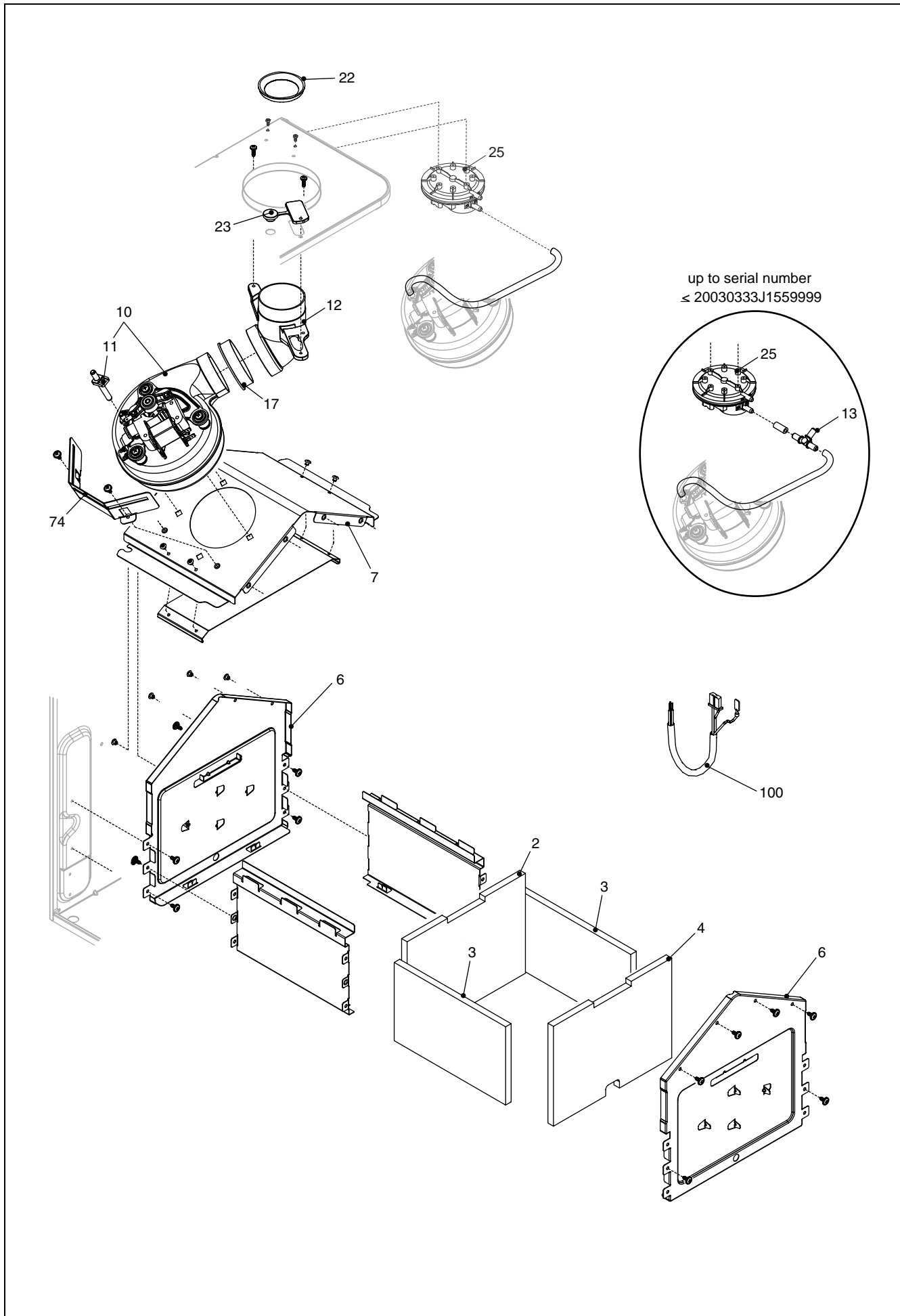
up to serial number
≤ 20030333J1559999



POS.	DESCRIPTION	24se
1	Expansion vessel	20029826
2	Pipe	R10028603
3	Pump	R10027571
4	Air vent bottle	R10025485
7	Pipe (Up to serial n.≤ 20030333J1559999)	20011421
7	Pipe (From serial n.≥ 20030333J1650001)	20083257
8	Heat exchanger (Up to serial n.≤ 20030333J1559999)	20052578
8	Heat exchanger (From serial n.≥ 20030333J1650001)	20067305
9	Pipe (Up to serial n.≤ 20030333J1559999)	20011420
9	Pipe (From serial n.≥ 20030333J1650001)	20083256
200	Washer	R5023
290	Clip	R2165
299	Washer (Up to serial n.≤ 20030333J1559999)	R10022726
302	Washer	R5025
520	NTC sensor (Up to serial n.≤ 20030333J1559999)	R10027352
624	Clip	R5472
625	High limit thermostat	20005585
679	Clip	20024086
680	Washer	20024869
806	NTC sensor (From serial n.≥ 20030333J1650001)	20067813



POS.	DESCRIPTION	24se
3	Burner manifold (Polidoro)	20028325
3	Burner manifold (Worgas)	20005584
4	Burner (Polidoro)	20028324
4	Burner (Worgas)	20005551
5	Spark / ignition electrode	R10025985
12	Pipe	20011422
13	Gas valve	20035533
14	Gas pipe	20005553
15	3/4" gas cock	R10020897
16	Combustion chamber cover	20005594
17	Gas valve solenoid	20040675
18	Plug	20005550
27	Hole cover	20005586
31	Hole cover	20049606
200	Washer	R5023
201	Washer	R5026
629	Kit cable grommet	20005595
640	Clip	20011042
700	Ng conversion kit	R01005225
700	LPG conversion kit	R01005500



POS.	DESCRIPTION	24se
2	Back insulatin panel	20005561
3	Insulation panel	20005562
4	Front insulation panel	20005560
6	Combustion chamber cover	20017585
7	Flue draught diverter	20005596
10	Fan kit	20026724
11	Pressure connection	20021548
12	Fumes connection	20011048
13	Segnal amplifier (Up to serial n.≤ 20030333J1559999)	20025687
17	Washer	20005552
22	Flange Ø 42	R10027845
22	Flange Ø 44	R10021730
23	Cap smoke analysis	20005549
25	Pressure switch (Up to serial n.≤ 20030333J1559999)	R10023908
25	Pressure (From serial n.≥ 20030333J1650001)	20063584
74	Fan support kit	20021597
100	Combustion cable (Up to serial n.≤ 20030333J1559999)	20021032
100	Combustion cable (From serial n.≥ 20030333J1650001)	20067310

Rev.	data	Descrizione
1.0	01/04/2011	Aggiunte trasformazioni – E00120110138 : cablaggio alimentazione
2.0	13/09/2011	E00120110373 : mensola telaio - E00120110498 : rivetto messa a terra E00120110317 : nuova bobina valvola gas
3.0	29/03/2012	E00120120083 : valvola sicurezza 3 bar – E00120100017 : revisione estetica
4.0	11/10/2012	E00120120332 : scambiatore monotermico E00120120434 : miglioramento strutturale
5.0	25/02/2013	E00120130138 : manopola comandi
6.0	13/05/2013	E00120130147 : bruciatore , collettore – Corretto layout caldaia Aggiunto coperchio camera combustione
7.0	16/04/2014	E00120130578 : anello di tenuta – E00120140120 : scambiatore seriale
8.0	23/07/2014	E00120140337 : copertura posteriore parti elettriche



Vokera reserve the right to change the specifications without prior notice.
Consumers' statutory rights are not affected.