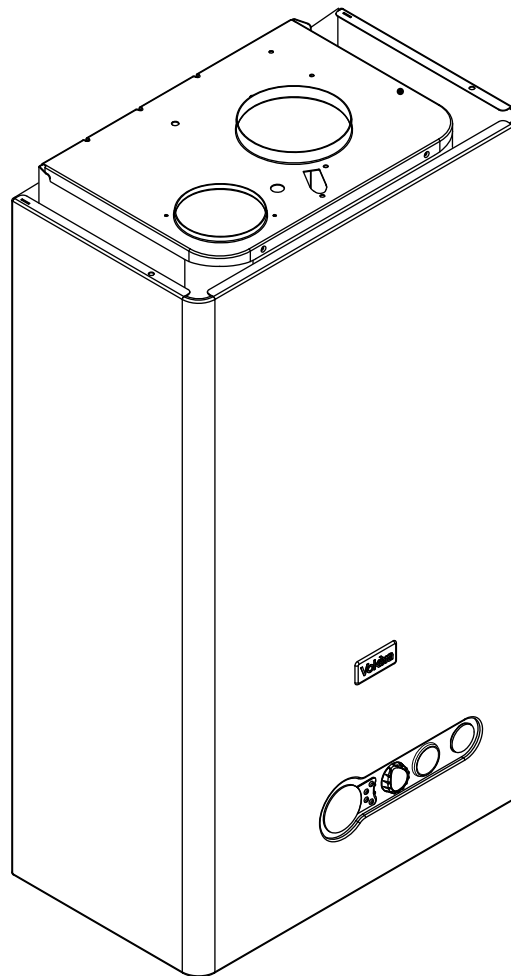
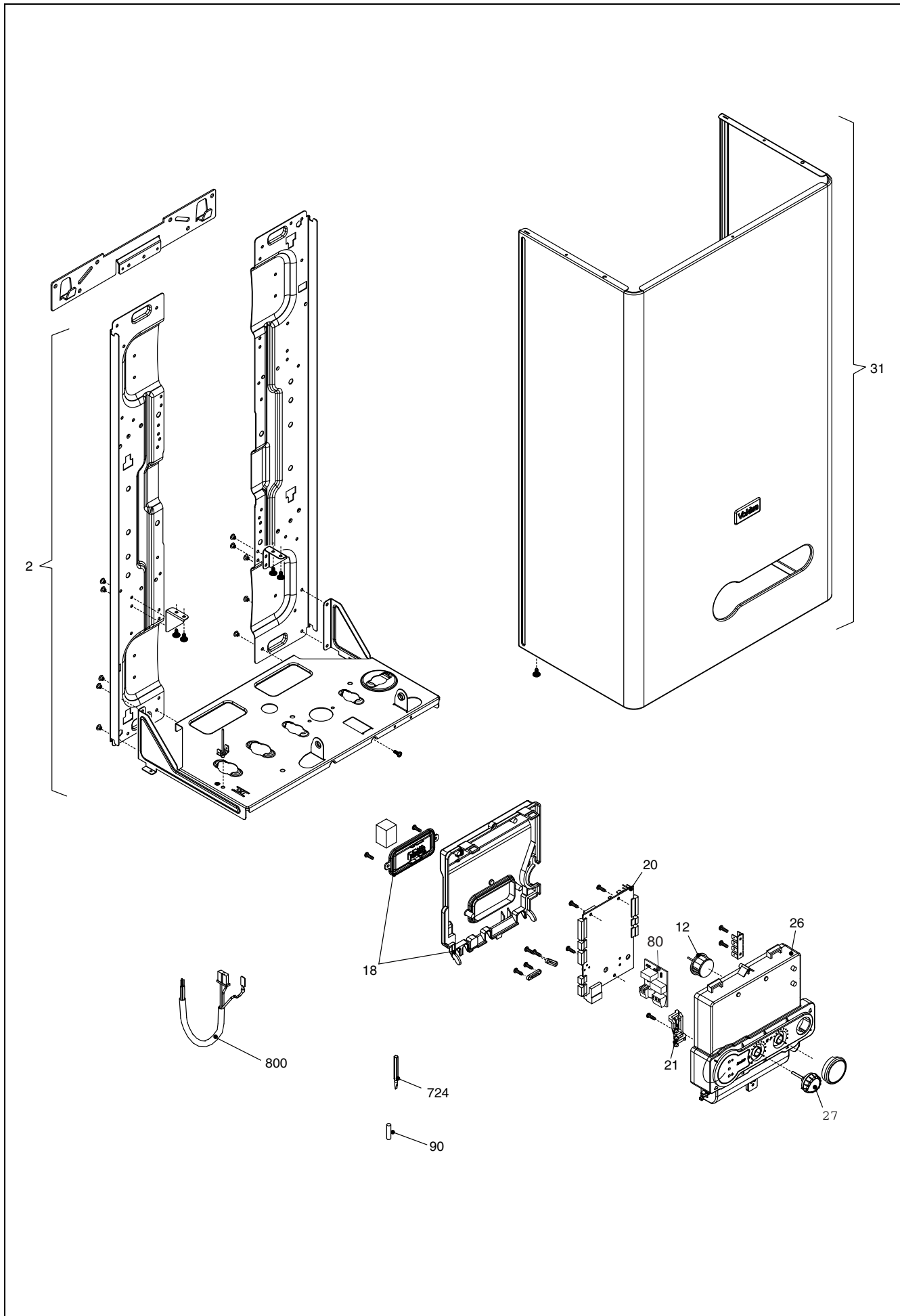


Wall hung boilers

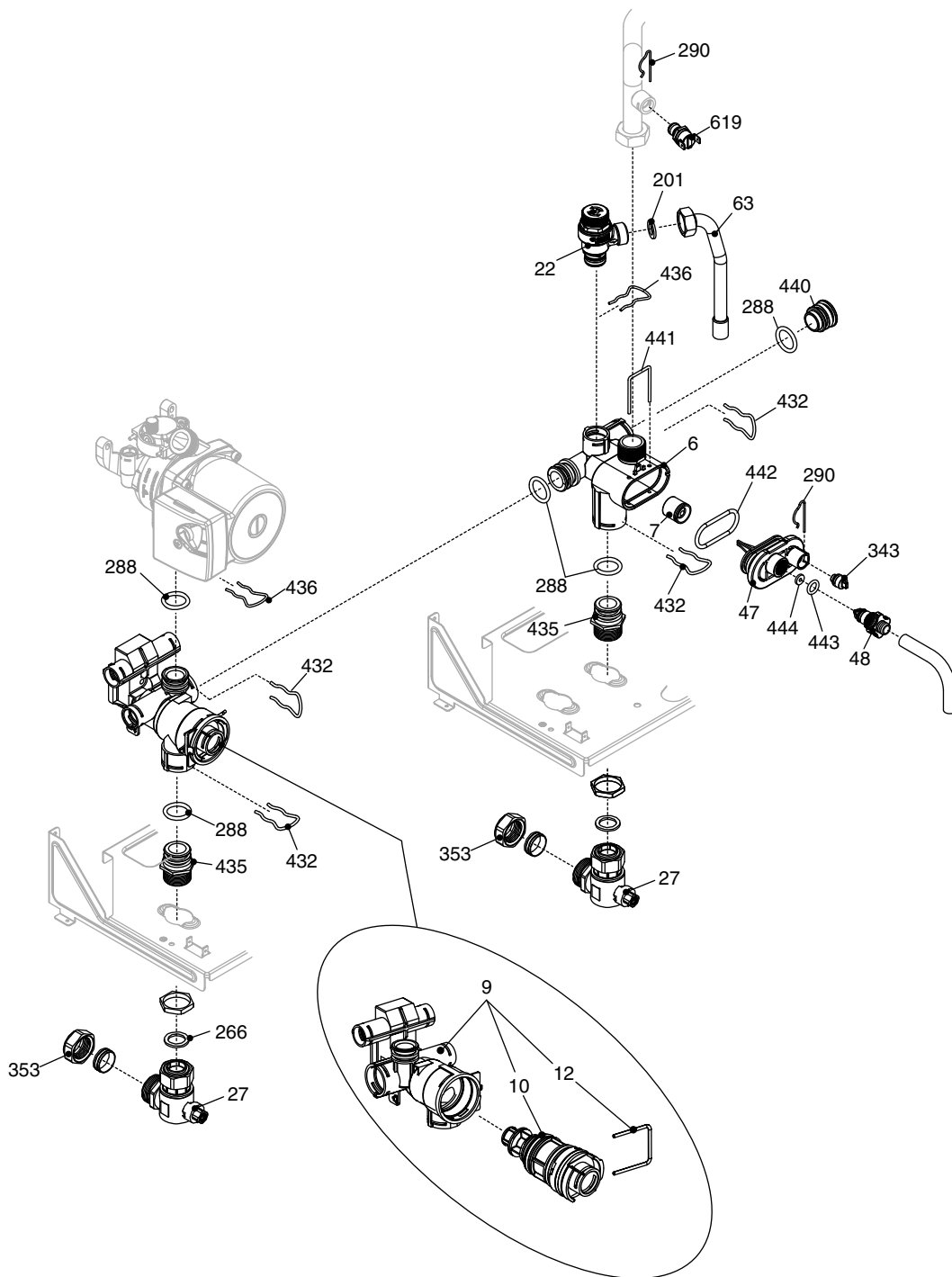
VIBE 20A



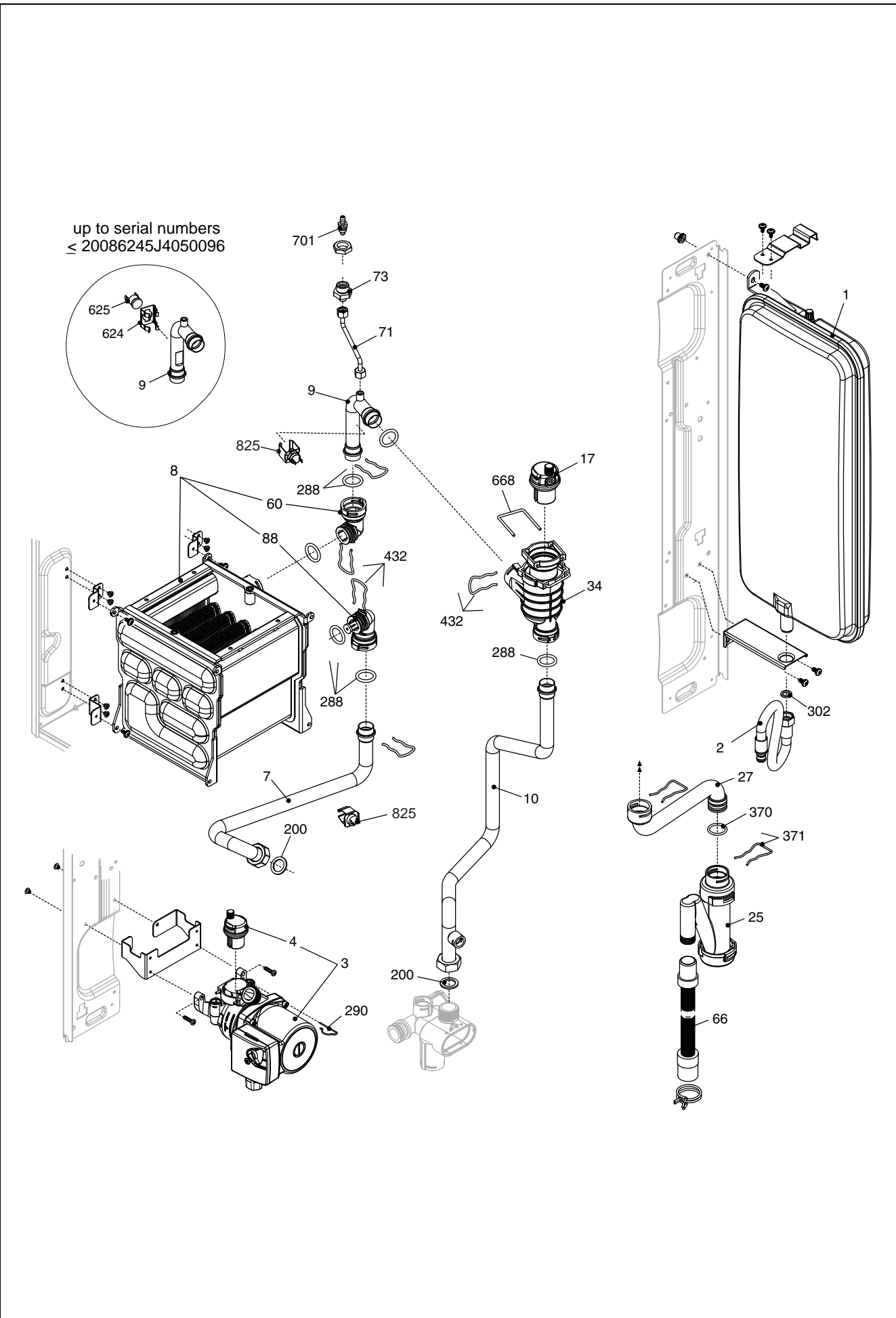
MODEL	PART NUMBER	
	MTN	GPL
Vibe 20A	20086245	-



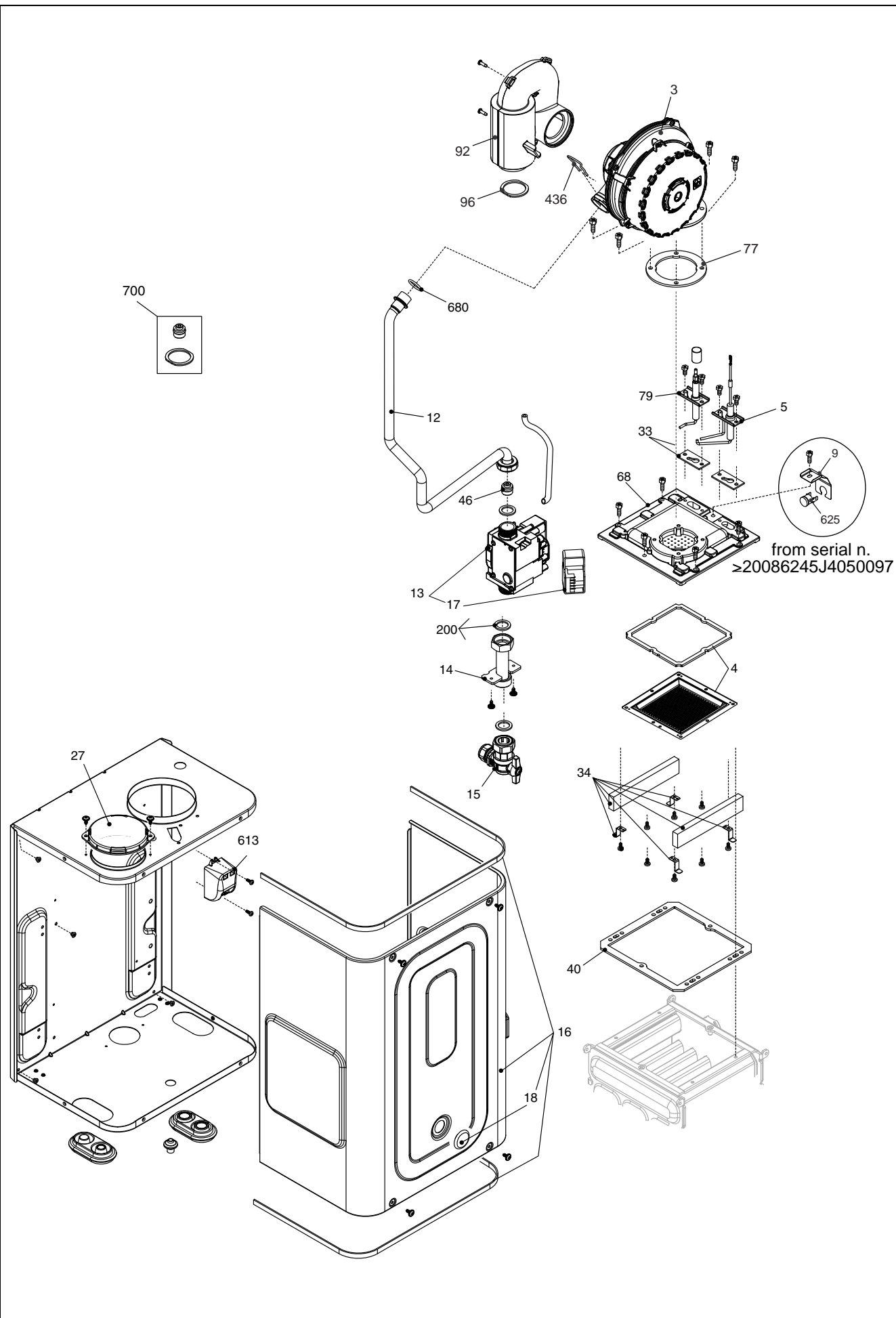
POS.	DESCRIPTION	20A
2	Frame assembly	20049618
12	Quick primer pressure gauge	20049617
18	Cover assembly	20057326
20	Printed circuit board	20069541
21	Led light guide	20057350
26	Instrumental panel	20088617
27	Knob	20057330
31	Case Assembly	20057328
80	Printed circuit board	20076436
90	Fuse	R3478
724	Calibration screwdriver	R2455
800	Wiring harness	20076437
800	Low tension cable	20035502
800	Power wiring harness	20005572
800	Cable	R1547



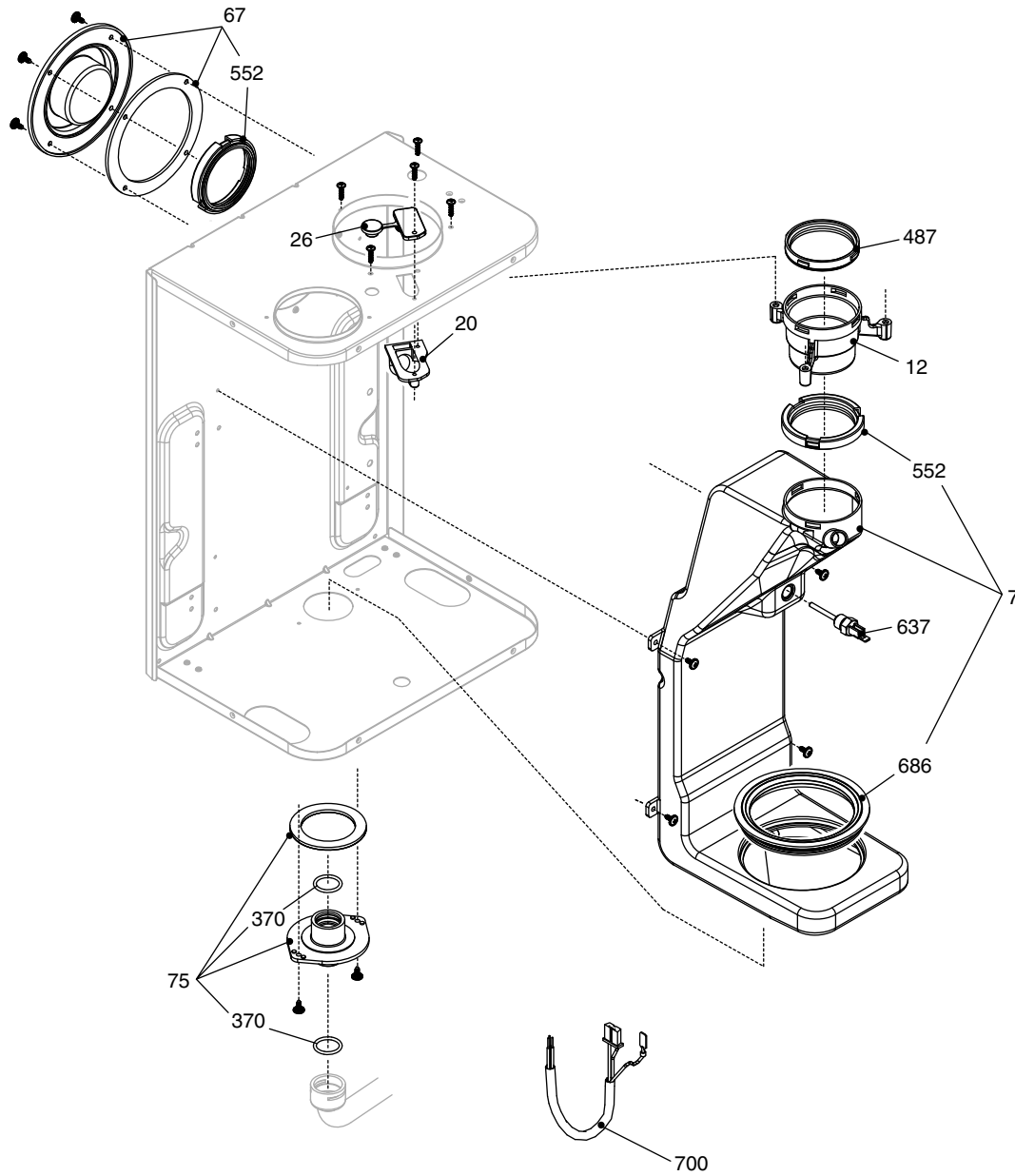
POS.	DESCRIPTION	20A
6	By-pass casing	R10024641
7	By-pass valve	R1552
9	Heating manifold and cartridge	R10027768
10	3 way valve cartridge	R10025305
12	Clip	R10025450
22	Safety valve	20043820
27	Heating cock	R1789
47	Cover for by-pass assembly	R10024643
48	Cock	R10024646
63	Pipe	20025755
201	Washer	R5026
266	Washer	R5237
288	Ring	R6898
290	Clip	R2165
343	Pump plug	R2216
353	Nut	R1824
432	Clip	R10024958
435	Fitting/union	R10025059
436	Clip	R10025062
440	Automatic by-pass plug	R10024645
441	Clip	R10025063
442	O ring	R10025065
443	O ring	R10025064
444	Washer	R10025066
619	Pressure	20003181



POS.	DESCRIPTION	20A
1	Expansion vessel	20029826
2	Pipe	R10028603
3	Pump Kit	20039926
4	Air vent bottle	R10025485
7	Pipe	20025763
8	Condensing exchanger assembly	20039923
9	Pipe (Up to serial n. \leq 20086245J4050096)	20025764
9	Pipe (From serial n. \geq 20086245J4050097)	20090680
10	Pipe	20025744
17	Air vent valve	20019768
25	Siphon	20025733
27	Condensation outlet tube kit	20025743
34	Degasser kit	20019888
60	Connection	20039953
66	Flexible pipe	R10027545
71	Pipe	20025746
73	Cock	R10028431
88	Connection	20039954
200	Washer	R5023
288	Ring	R6898
290	Clip	R2165
302	Washer	R5025
370	O ring	R10023533
371	Clip	R10023532
432	Clip	R10024958
624	Clip (Up to serial n. \leq 20086245J4050096)	R5472
625	High limit thermostat (Up to serial n. \leq 20086245J4050096)	20005585
668	Clip	20019767
701	Vent plug	R10023235
825	NTC Detector	20078350



POS.	DESCRIPTION	20A
3	Integrated fan	20081316
4	Burner	20044892
5	Ignition electrode	20025737
9	Clip (From serial n. \geq 20086245J4050097)	20093799
12	Pipe	20025745
13	Gas valve	20039202
14	Gas pipe	20005553
15	3/4" gas cock	R10020897
16	Combustion chamber cover	20011414
17	Gas valve solenoid	20040675
18	Plug	20005550
27	Hole cover	20005586
33	Seal ignition electrode	20025740
34	Protection	20044890
40	Washer	20044894
46	Gas diaphragm 4.8	R10025461
68	Cover	20044895
77	Washer	20025753
79	Detector electrode	20043523
92	Suction pipe	20025760
96	31mm diaphragm	20041058
200	Washer	R5023
436	Clip	R10025062
613	Ignition transformer	20001563
625	High limit thermostat (From serial n. \geq 20086245J4050097)	20005585
680	Washer	20024869
700	Ng conversion kit	20082915
700	LPG conversion kit	20082917



POS.	DESCRIPTION	20A
7	Conveyor	20055453
12	Flue drain connection	R10028421
20	Outlet nut	20026049
26	Plug	20026058
67	Drain plug	20000118
75	Flue clector	20026056
370	O ring	R10023533
487	Washer Ø 60	R10026345
552	Washer Ø 60	R10028426
637	Flue sensor	20007050
686	Washer	20026059
700	Combustion cable	20025736

Rev.	Data	Descrizione
1.0	26/06/2014	Aggiunti kit trasformazione gas
2.0	23/10/2014	E00120140454 : posizione termostato (con gestione matricole)



Vokera reserve the right to change the specifications without prior notice.
Consumers' statutory rights are not affected.