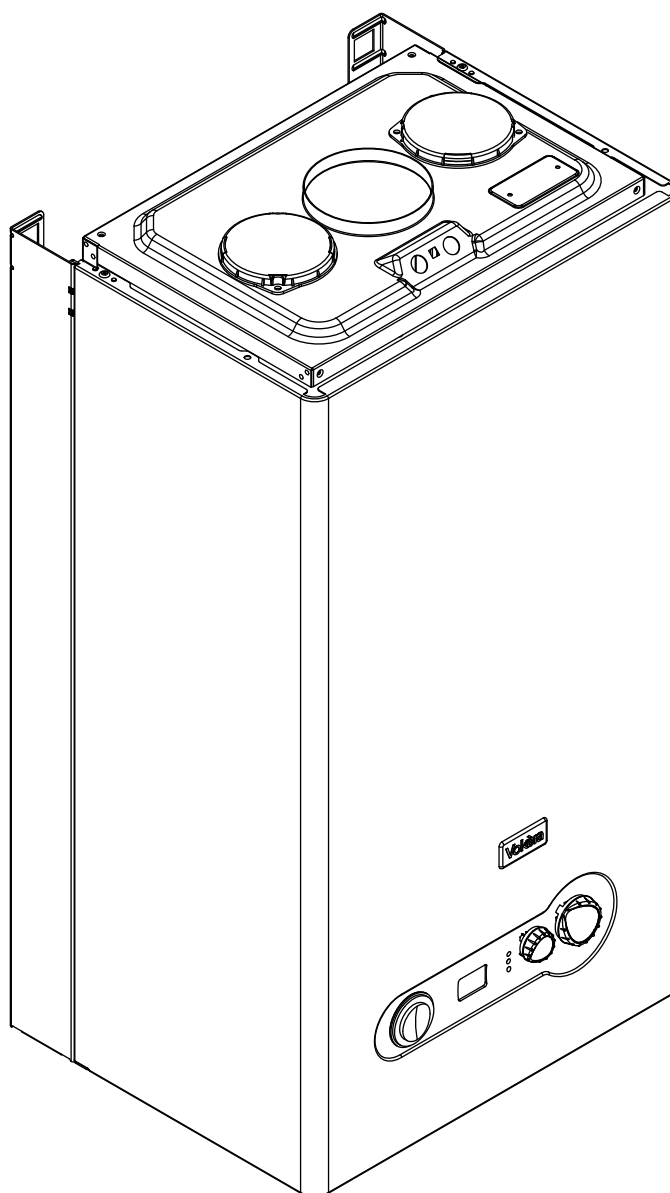
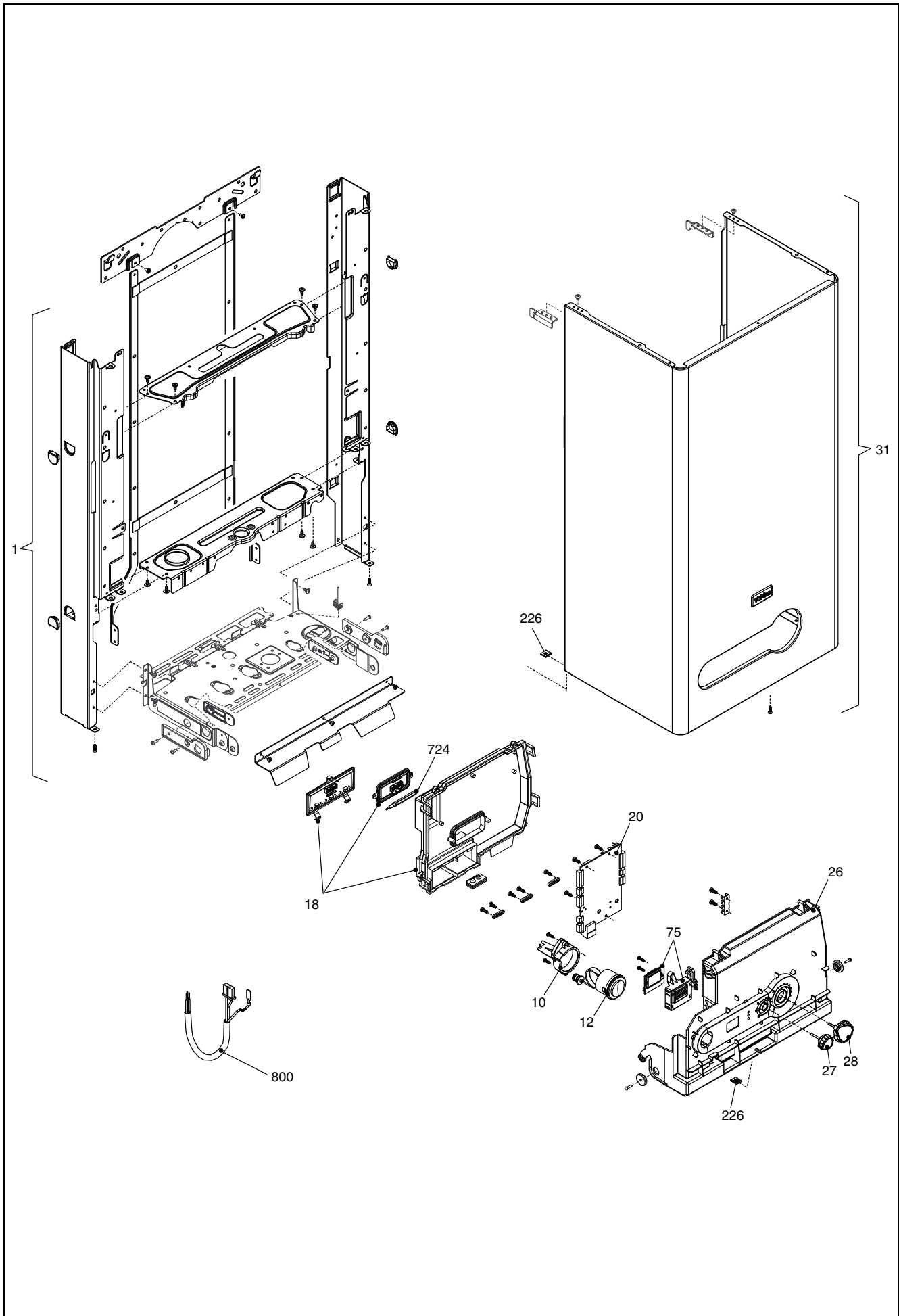


Wall hung boilers

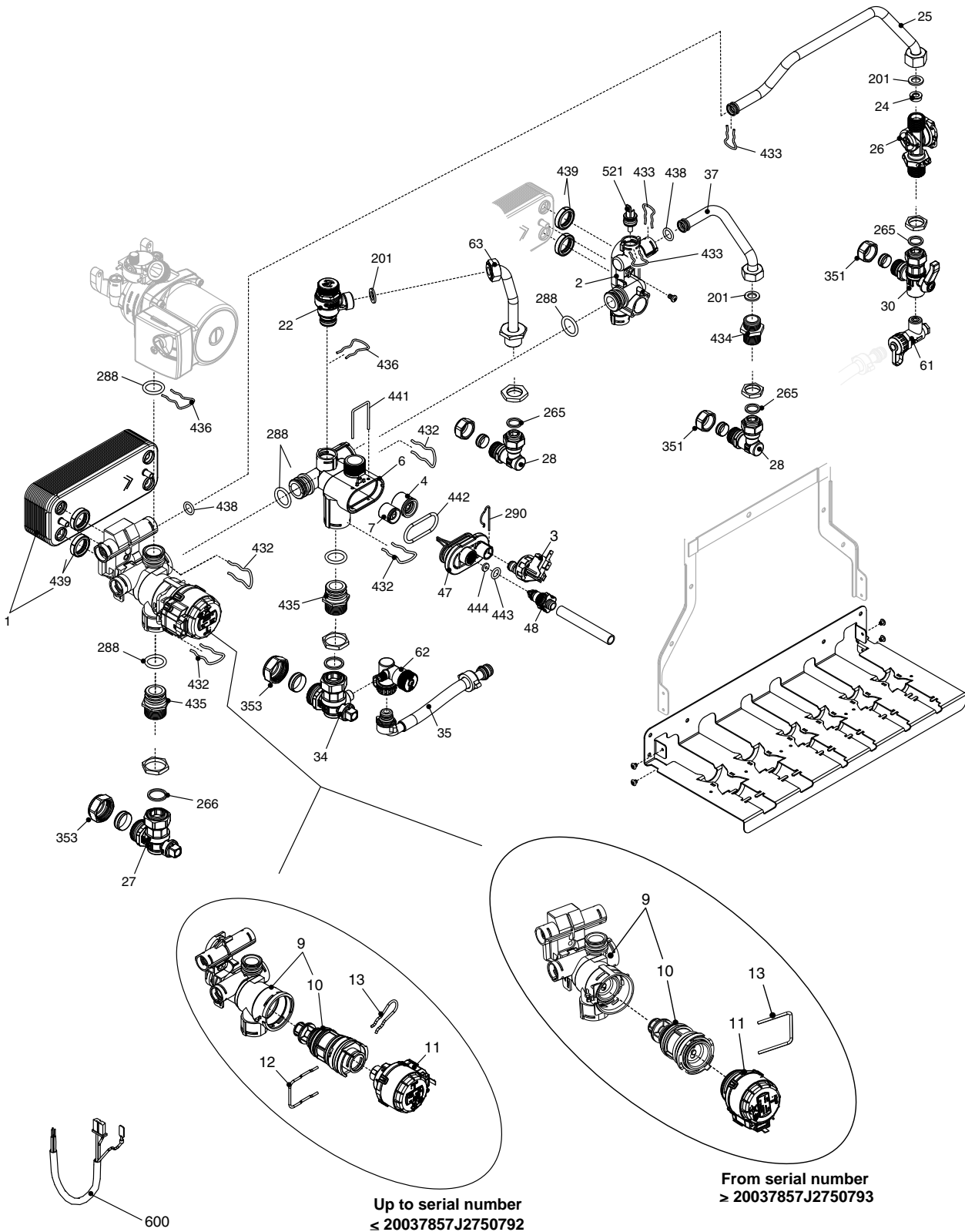
UNICA i32



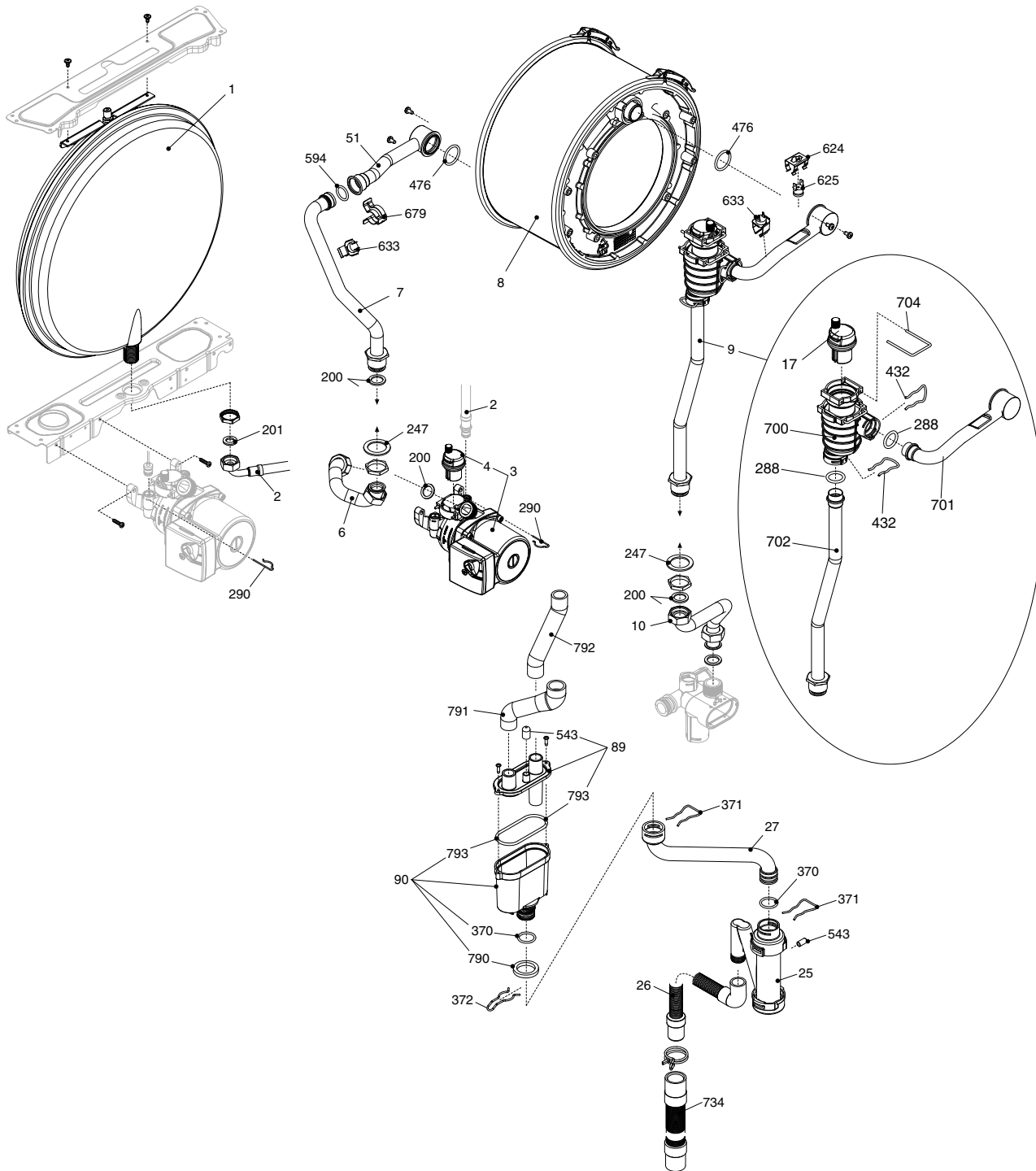
MODEL	PART NUMBER	
	MTN	GPL
Unica i32	20037857	-



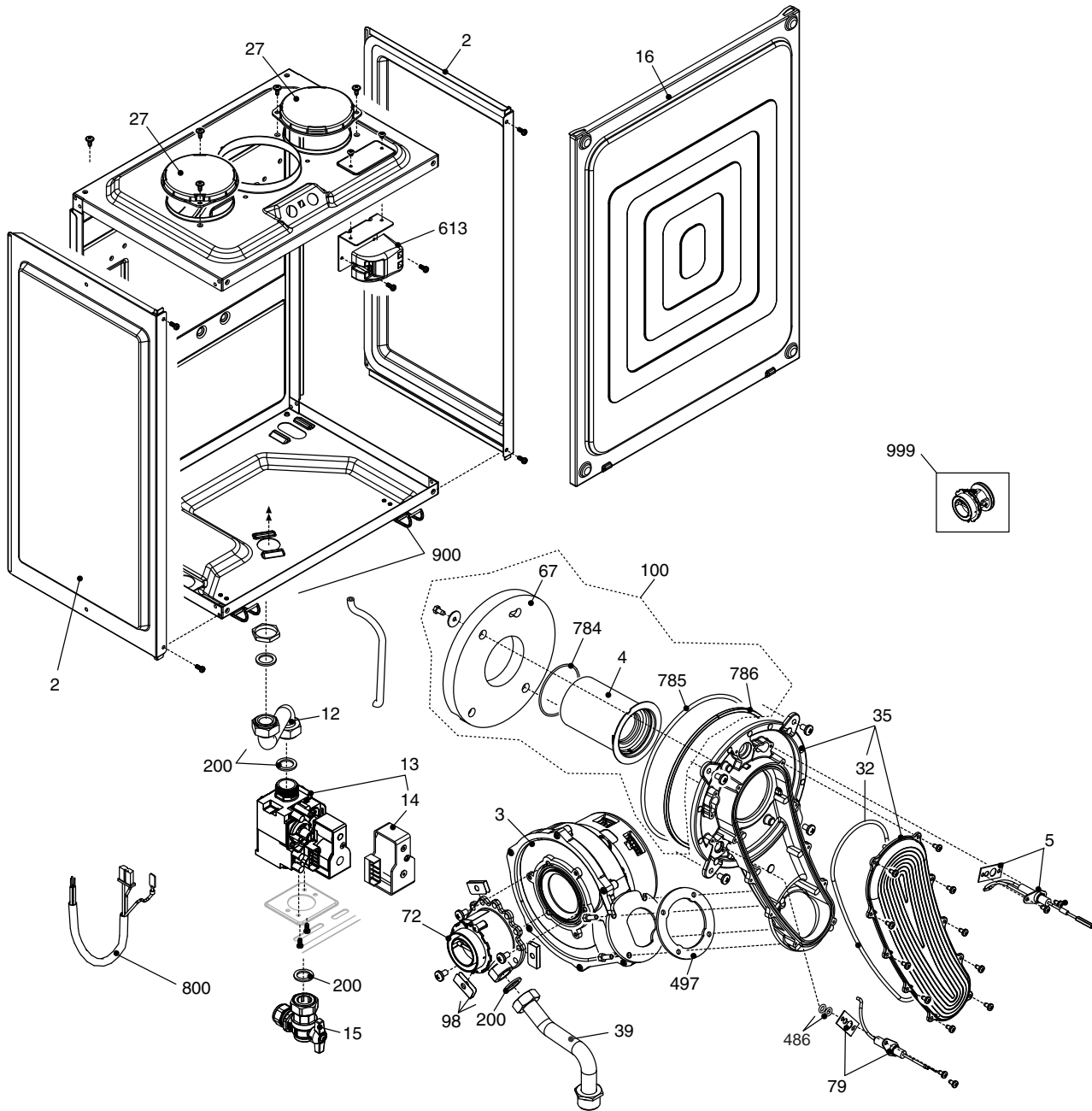
POS.	DESCRIPTION	i32
1	Frame	20057833
10	Water gauge carrier	R10029105
12	Pressure gauge	20042115
18	Electric parts cover	20072084
20	Printed circuit board	20069541
26	Instrumental plate	20058631
27	Knob	20057330
28	Knob	20059926
31	Case Assembly	20057834
75	Card reader kit	20060938
90	Fuse	R3478
226	Clip	R5128
724	Calibration screwdriver	R2455
800	Low tension cable	20038366
800	Power wiring harness	20057875
800	Wiring harness	20011449
800	Wiring harness	20067062



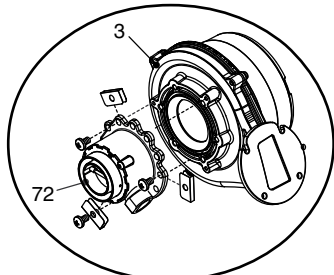
POS.	DESCRIPTION	i32
1	Heat exchanger	R10024627
2	Connection	R10030114
3	Water pressure switch	R10028141
4	Non return valve	R10025056
6	By-pass casing	R10024641
7	By-pass valve	R2047
9	3-way heating manif.+cartridge (up to serial n.≤20037857J2750792)	R10026508
9	3-way heating manif.+cartridge (from serial n.≥20037857J2750793)	20021496
10	3 way valve cartridge (up to serial n.≤20037857J2750792)	R10025305
10	Cartridge (from serial n.≥20037857J2750793)	20043594
11	Actuator (up to serial n.≤20037857J2750792)	20024841
11	Actuator (from serial n.≥20037857J2750793)	20017594
12	Clip (up to serial n.≤20037857J2750792)	R10025450
13	Clip (up to serial n.≤20037857J2750792)	R10025449
13	Clip (from serial n.≥20037857J2750793)	20017598
22	Safety valve	20043820
24	Flow governor	R10025080
24	Flow governor	R10026041
24	Flow governor	R10026045
25	Pipe	20011423
26	Dhw actuator	20029985
27	Heating cock	R1789
28	Connection	R1790
30	Cock	R10023567
34	Cock	R10023566
35	Flexible pipe	R10023570
37	Pipe	R10025840
47	Cover for by-pass assembly	R10024643
48	Cock	R10024646
61	Non return valve	R10023569
62	Cock	R10023568
63	Pipe	R10026228
201	Washer	R5026
265	Washer	R5236
266	Washer	R5237
288	Ring	R6898
290	Clip	R2165
351	Nut	R1823
353	Nut	R1824
432	Clip	R10024958
433	Clip	R10024986
434	Nipple	R10024985
435	Fitting/union	R10025059
436	Clip	R10025062
438	O ring	R10024988
439	Washer	R10025067
441	Clip	R10025063
442	O ring	R10025065
443	O ring	R10025064
444	Washer	R10025066
521	NTC sensor	R10027351
600	Hydraulic control cable	20028661



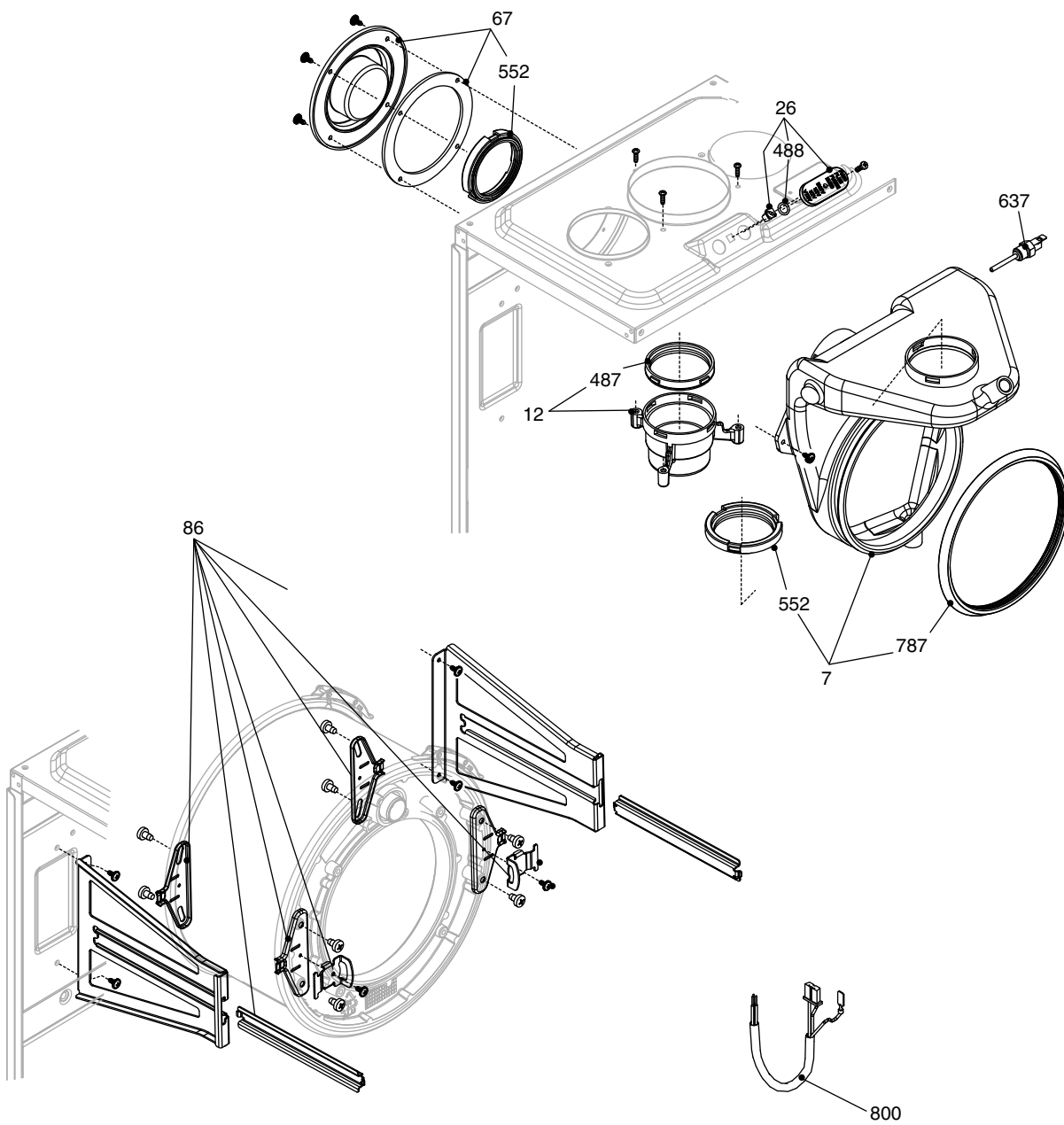
POS.	DESCRIPTION	i32
1	Expansion vessel	R2204
2	Pipe	R10025188
3	Pump	R10027571
4	Air vent bottle	R10025485
6	Pipe	20057864
7	Pipe	20057861
8	Condensing exchanger assembly	20058630
9	Pipe	20058634
10	Pipe	20057859
17	Air vent valve	20019768
25	Siphon	20025733
26	Flexible pipe	20028761
27	Condensation outlet tube kit	20025743
51	Pipe	20057866
89	Siphon cover	20063464
90	Siphon	20063463
200	Washer	R5023
201	Washer	R5026
247	Washer	R5203
288	Ring	R6898
290	Clip	R2165
370	O ring	R10023533
371	Clip	R10023532
372	Clip	R2588
432	Clip	R10024958
476	O ring	R10026324
543	Plug	20081059
594	O ring	20000131
624	Clip	R5472
625	High limit thermostat	20005585
633	NTC Detector	20078350
679	Clip	20024086
700	Degasser kit	20032553
701	Pipe	20067580
702	Pipe	20058635
704	Clip	20019767
734	Flexible pipe	R10026272
790	Washer	20063468
791	Condensing pipe	20063466
792	Condensing pipe	20063467
793	O ring	20028744



Up to serial number
< 20037857J2350570



POS.	DESCRIPTION	i32
2	Air chamber side	R10026231
3	Fan (up to serial n.≤20037857J2350570)	R10028456
3	Fan (from serial n.≥20037857J2350571)	20085965
4	Burner	20087319
5	Ignition electrode	20057856
12	Gas pipe	R10028620
13	Gas valve	20039202
14	Gas valve solenoid	20040675
15	3/4" gas cock	R10020897
16	Air chamber access panel	20069007
27	Hole cover	20005586
32	Washer	20057870
35	Air/gas manifold	20057885
39	Pipe	20067585
67	Washer	20057858
72	Mixer (up to serial n.≤20037857J2350570)	20067584
72	Mixer (from serial n.≥20037857J2350571)	20087321
79	Electrode	20057857
98	Spacer	20036990
100	Burner assembly	20058633
200	Washer	R5023
486	O ring	R10026325
497	Washer	R10026796
613	Ignition transformer	20001563
784	Washer	20057871
785	Washer	20057878
786	Washer	20057872
800	Ignition cable	20057874
900	Clips	20061168
999	Ng conversion kit (up to serial n.≤20037857J2350570)	20069592
999	Ng conversion kit (from serial n.≥20037857J2350571)	20086438
999	Lpg conversion kit	20069593



POS.	DESCRIPTION	i32
7	Conveyor	20057880
12	Flue drain connection	20040102
26	Plug and nut	20089999
67	Top flue outlet blanking cap	20057882
86	Support kit	20058636
487	Washer Ø 60	R10026345
488	O ring	R10026494
552	Washer Ø 60	R10028426
637	Flue sensor	20007050
787	Washer	20057889
800	Combustion cable	20057876

Rev.	data	Descrizione
1.0	18/12/2012	E00120120617 : coibente sanitario,vis medium E00120120672 : sifone condensa - E00120120728 : guarnizione sifone E00120120646 : eliminata sonda esterna
2.0	18/03/2013	E00120130073 : mixer modulante - E00120130172 : pannello fonoassorbente E00120130188 : guarnizione sifone - E00120130012 : cablaggio utenze esterne
3.0	29/03/2013	E00120130237 : tubi flessibili – Aggiunte trasformazioni E00120130241: unificazione guarnizione
4.0	16/05/2013	E00120130369 : Copertura parti elettriche
5.0	27/08/2013	E00120130570 : staffe e supporti telaio
6.0	14/04/2014	E00120130544 : anello di tenuta – E00120140026 : standardizzazione rampa E00120140131 : scheda gestione – Gestione bruciatore singolo E00120140213 : aggancio cruscotto – E00120140205 : Ventilatore
7.0	10/07/2014	E00120140336 : Valvola tre vie
8.0	14/01/2015	Corretto aggancio cruscotto



Vokera reserve the right to change the specifications without prior notice.
Consumers' statutory rights are not affected.