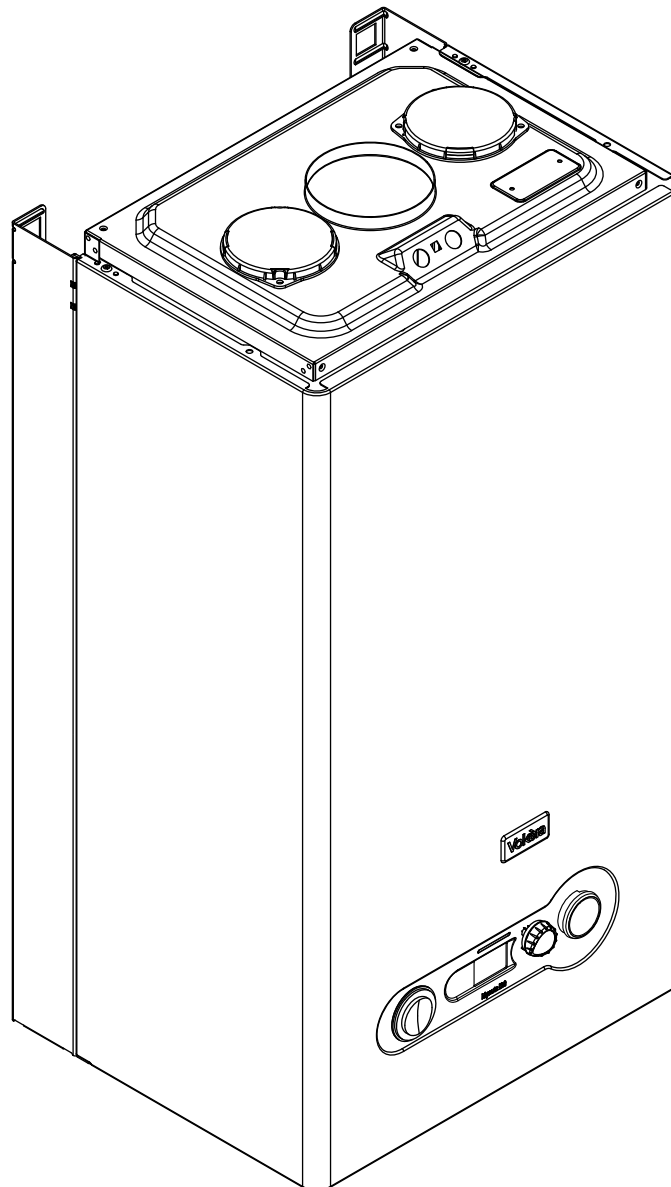
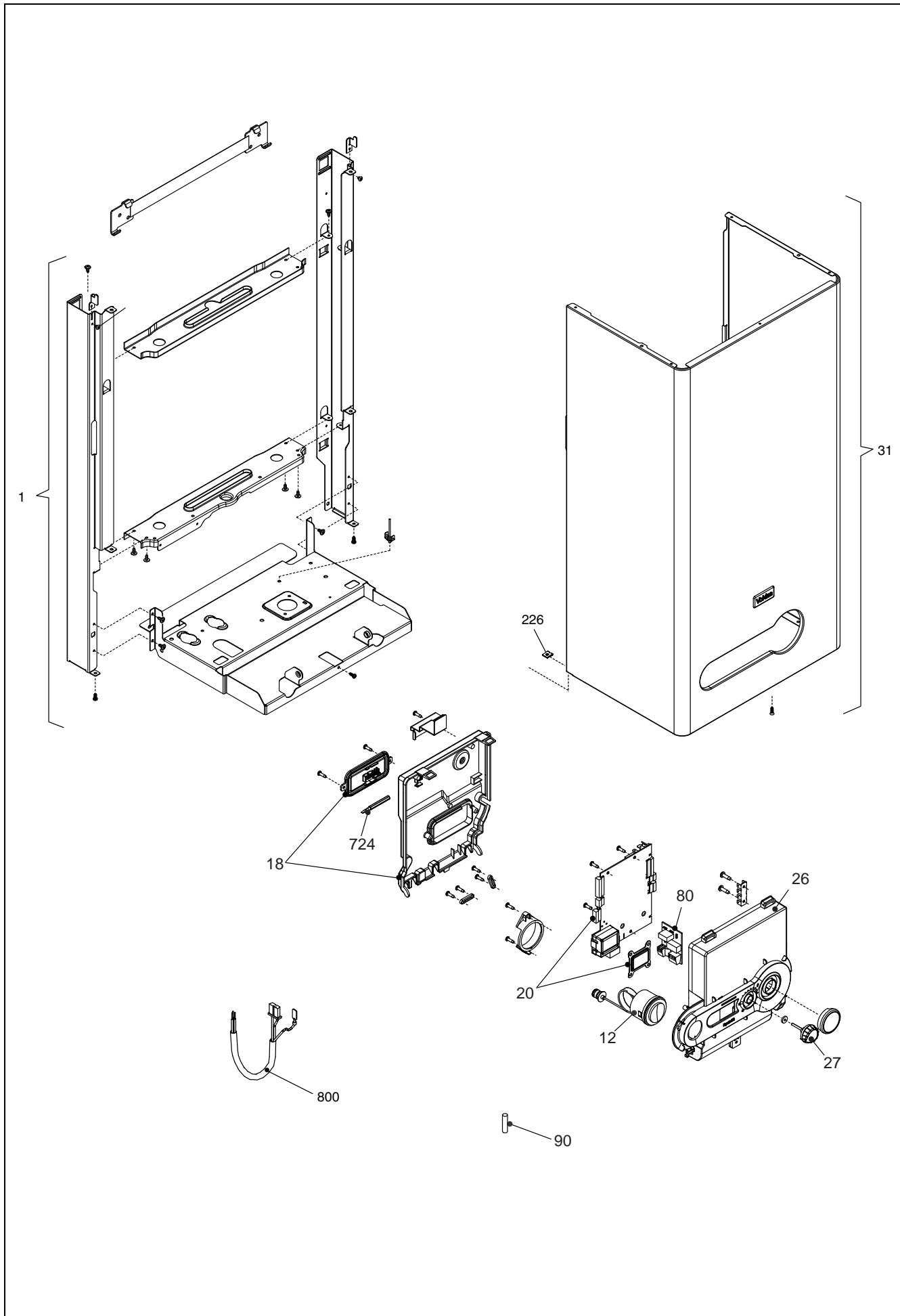


Wall hung boilers

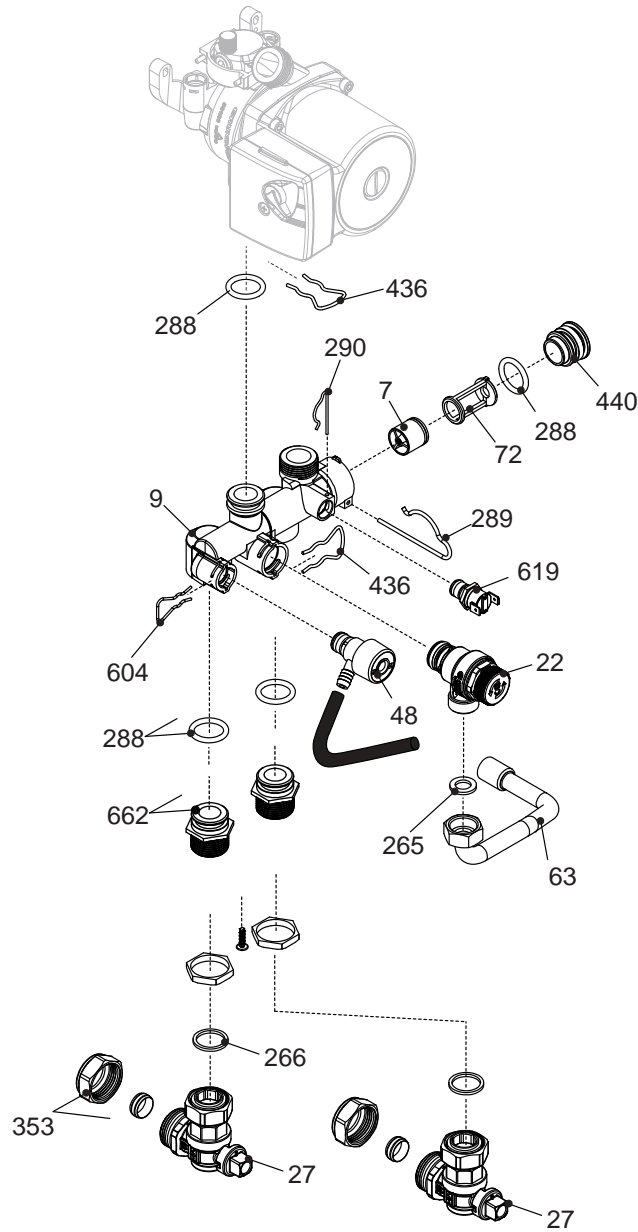
Mynute i20



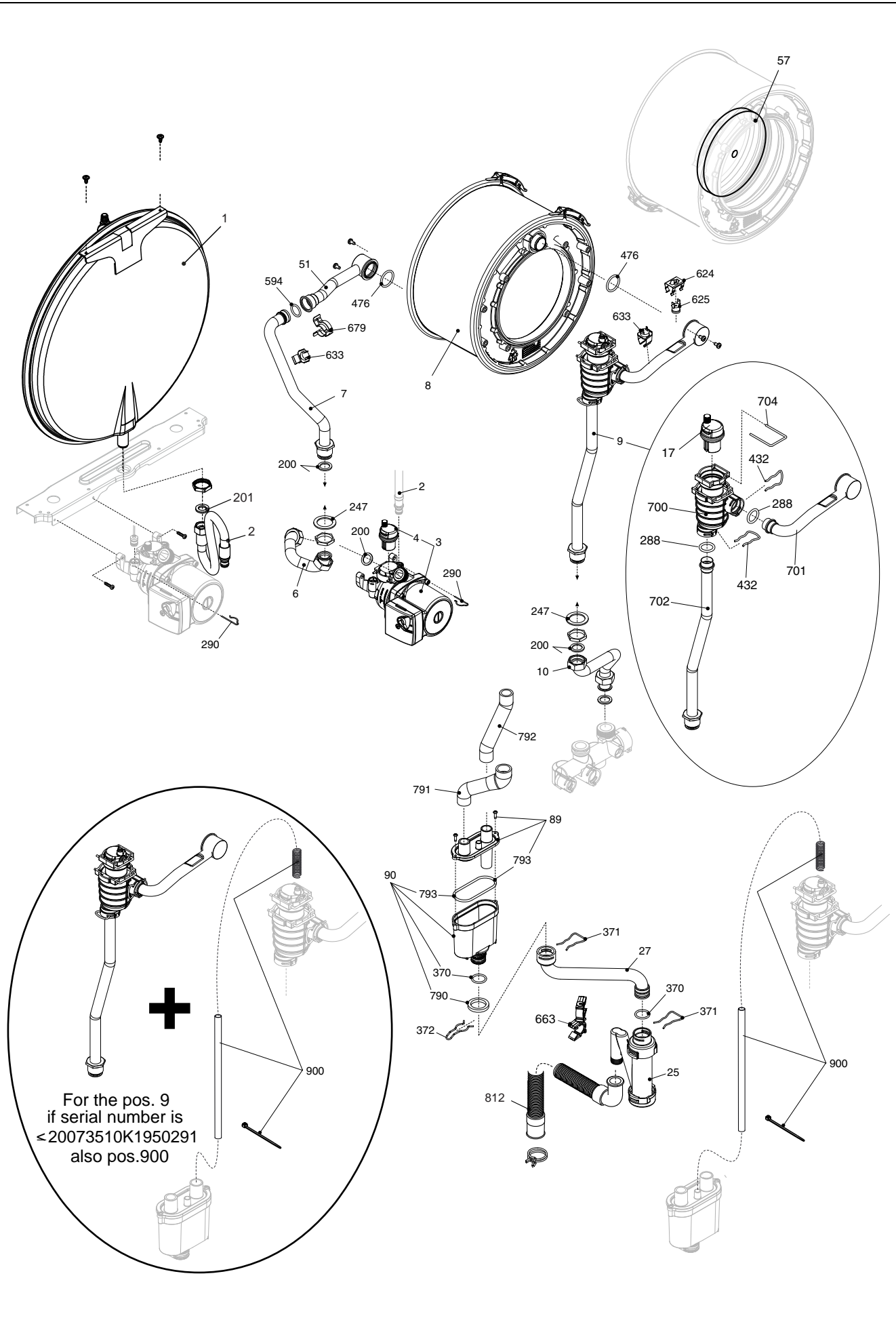
MODEL	PART NUMBER	
	MTN	GPL
Mynute i20	20073510	-



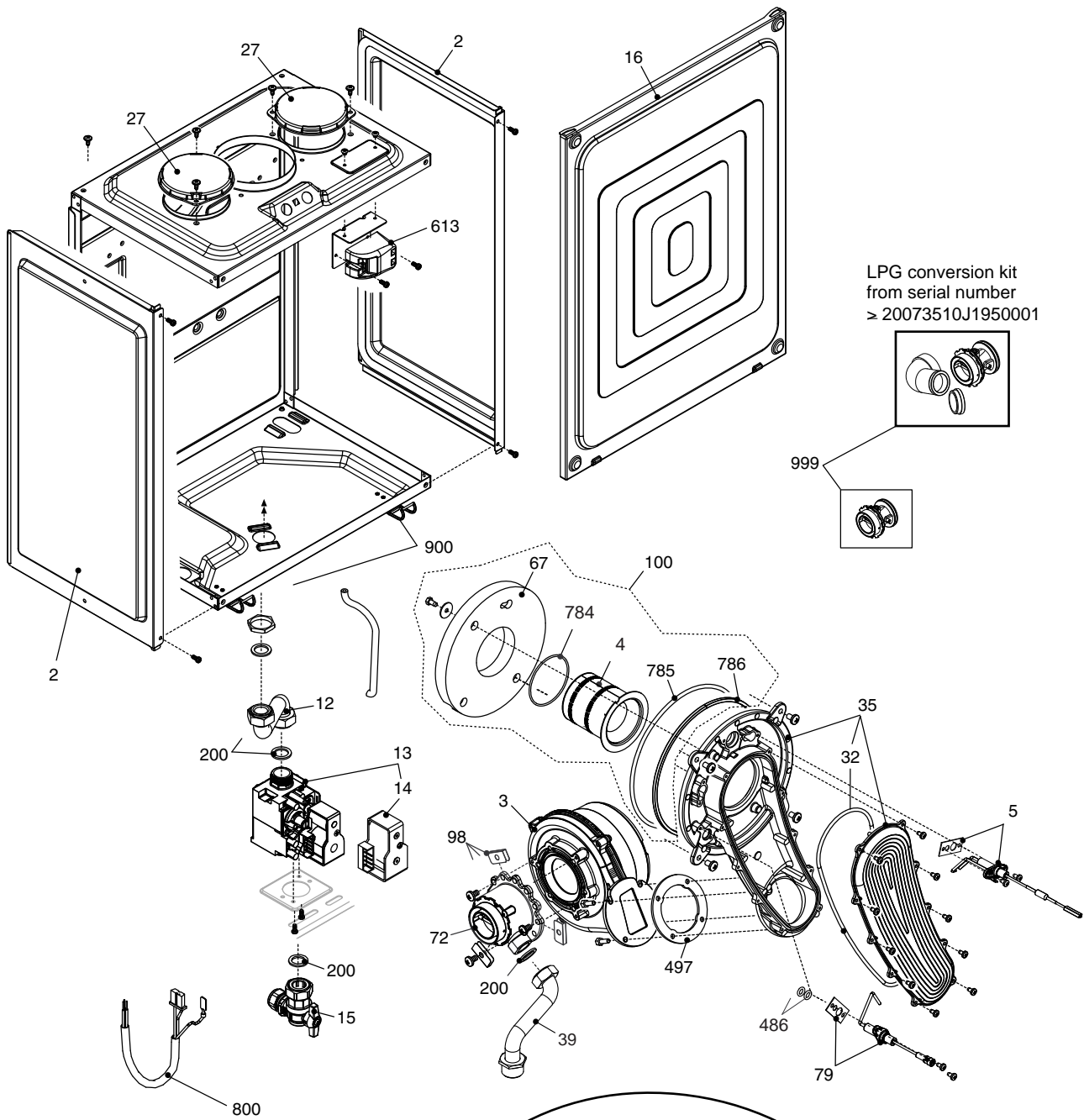
POS.	DESCRIPTION	i20
1	Frame assembly	20087361
12	Pressure gauge	20042115
18	Cover assembly	20081295
20	Printed circuit board	20071334
26	Instrumental panel	20076892
27	Knob	20057330
31	Case Assembly	20076893
80	Printed circuit board	20076436
90	Fuse	R3478
226	Clip	R5128
724	Calibration screwdriver	R2455
800	Wiring harness	20076437
800	Power wiring harness	20005572
800	Low tension cable	20035502



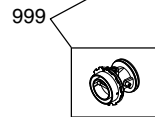
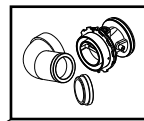
POS.	DESCRIPTION	i20
7	By-pass valve	20043496
9	Heating distrib.	20005568
22	Safety valve	20043820
27	Heating cock	R1789
48	Cock	20000533
63	Pipe	20035609
72	by-pass valve support	20068965
265	Washer	R5236
266	Washer	R5237
288	Ring	R6898
289	Clip	R2223
290	Clip	R2165
353	Nut	R1824
436	Clip	R10025062
440	Automatic by-pass plug	R10024645
604	Clip	20000539
619	Pressure	20003181
662	Connection	20014074



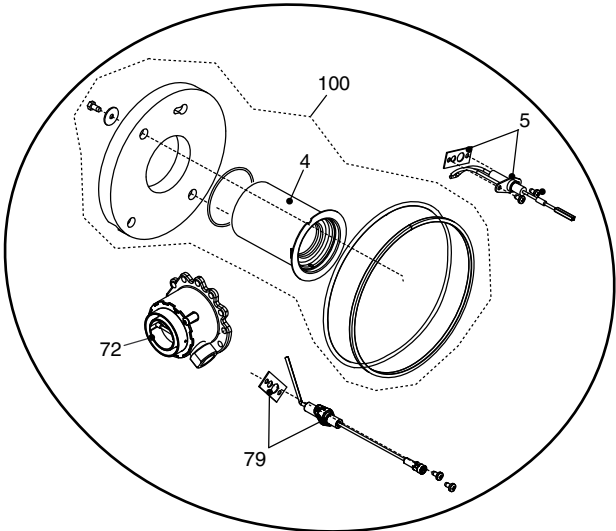
POS.	DESCRIPTION	i20
1	Expansion vessel	R10028535
2	Pipe	R10028603
3	Pump	R10027571
4	Air vent bottle	R10025485
6	Pipe	20057864
7	Pipe	20057861
8	Condensing exchanger assembly	20057854
9	Pipe (also code 20096202 if serial n. \leq 20073510K1950291)	20057873
10	Pipe	20076891
17	Air vent valve	20019768
25	Siphon	20025733
27	Condensation outlet tube kit	20025743
51	Pipe	20057866
57	Retarder insulating panel	20086269
89	Siphon cover	20063464
90	Siphon	20063463
200	Washer	R5023
201	Washer	R5026
247	Washer	R5203
288	Ring	R6898
290	Clip	R2165
370	O ring	R10023533
371	Clip	R10023532
372	Clip	R2588
432	Clip	R10024958
476	O ring	R10026324
594	O ring	20000131
624	Clip	R5472
625	High limit thermostat	20005585
633	NTC Detector	20078350
663	Cable holder	20014197
679	Clip	20024086
700	Degasser kit	20032553
701	Pipe	20067580
702	Pipe	20057862
704	Clip	20019767
790	O-Ring	20063468
791	Condensation outlet tube	20063466
792	Condensing pipe	20063467
793	O ring	20028744
812	Condensation outlet tube	20076889
900	Degasser connection assembly	20096202



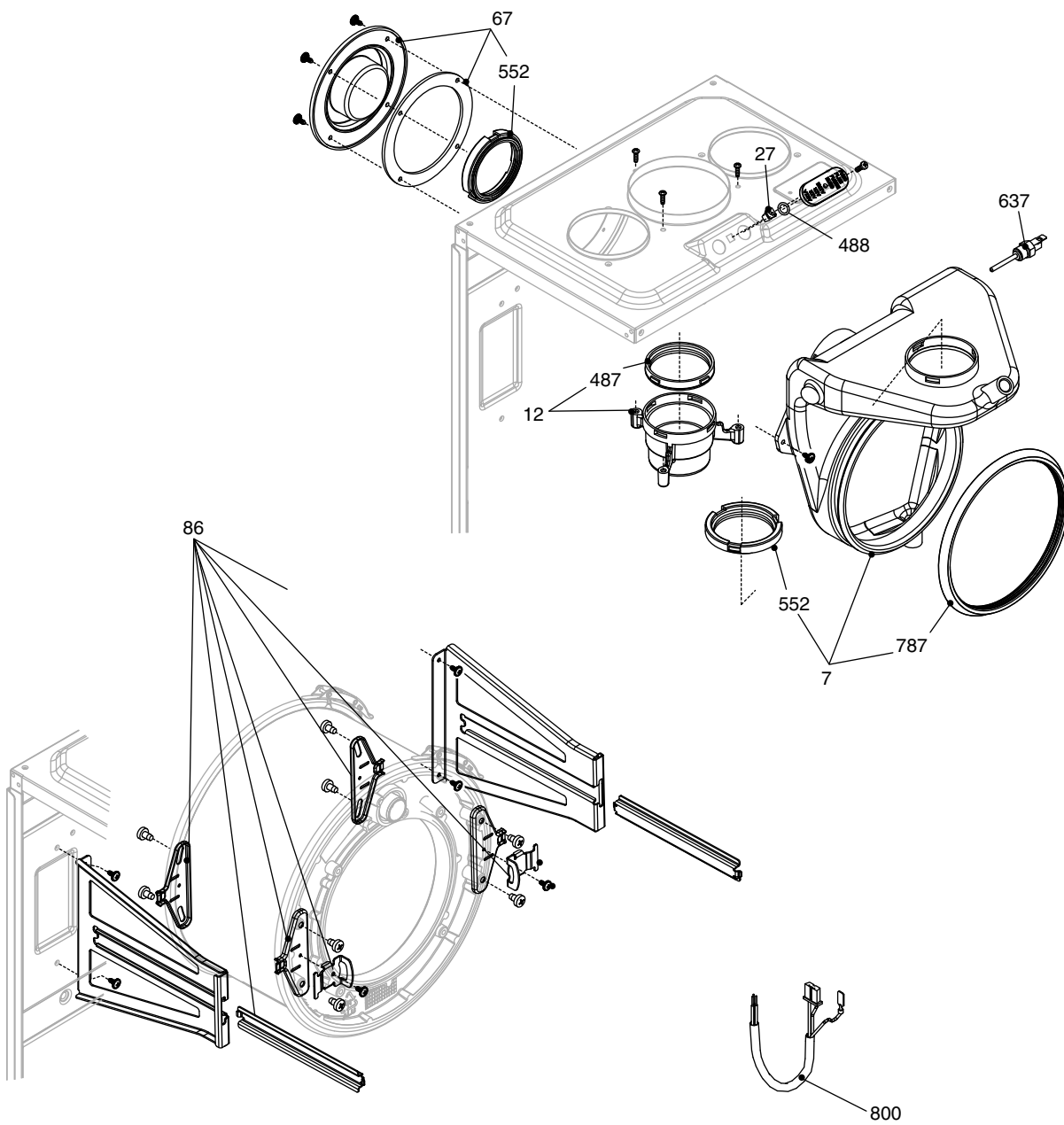
LPG conversion kit
from serial number
> 20073510J1950001



Up to serial number
< 20073510J1859999



POS.	DESCRIPTION	i20
2	Air chamber side	R10026231
3	Fan	20002995
4	Burner	20087379
4	Burner (Serial n. ≥ 20073510J1950001)	20087380
5	Ignition electrode	20057856
5	Ignition electrode (Serial n. ≥ 20073510J1950001)	20072076
12	Gas pipe	R10028423
13	Gas valve	20039202
14	Gas valve solenoid	20040675
15	3/4" gas cock	R10020897
16	Air chamber access panel	R10028345
27	Hole cover	20005586
32	Washer	20057870
35	Air/gas manifold	20057885
39	Pipe	20067581
67	Washer	20057858
72	Mixer	20067579
72	Mixer (Serial n. ≥ 20073510J1950001)	20087378
79	Electrode	20057857
79	Electrode (Serial n. ≥ 20073510J1950001)	20072077
98	Spacer	20036990
100	Burner assembly	20057887
100	Burner assembly (Serial n. ≥ 20073510J1950001)	20072078
200	Washer	R5023
486	O ring	R10026325
497	Washer	R10026796
613	Ignition transformer	20001563
784	Washer	20057871
785	Washer	20057878
786	Washer	20057872
800	Ignition cable	20057874
900	Clips	20061168
999	Ng conversion kit	20069587
999	Ng conversion kit (Serial n. ≥ 20073510J1950001)	20087173
999	Lpg conversion kit	20069593
999	LPG conversion kit (Serial n. ≥ 20073510J1950001)	20087176



POS.	DESCRIPTION	i20
7	Conveyor	20057880
12	Flue drain connection	R10028421
27	Nut screw	R10020625
67	Top flue outlet blanking cap	20057882
86	Support kit	20057896
487	Washer Ø 60	R10026345
488	O ring	R10026494
552	Washer Ø 60	R10028426
637	Flue sensor	20007050
787	Washer	20057889
800	Wiring harness	20076890

Rev.	Data	Descrizione
1.0	19/11/2013	E00120130859 : copertura parti elettriche, raccordi, valvola ritegno, montante telaio pannello fonoassorbente mantello , cavo alimentazione
2.0	15/04/2014	E001201310009 : cavo alimentazione – E001201310018 : montanti telaio E00120140259 : modulazione 1:10 – aggiunti kit trasformazione
3.0	15/06/2015	Aggiunto pannello isolante retarder scambiatore E00120150287 : collegamento valvola sfiato-sifone con gestione matricola



Vokera reserve the right to change the specifications without prior notice.
Consumers' statutory rights are not affected.