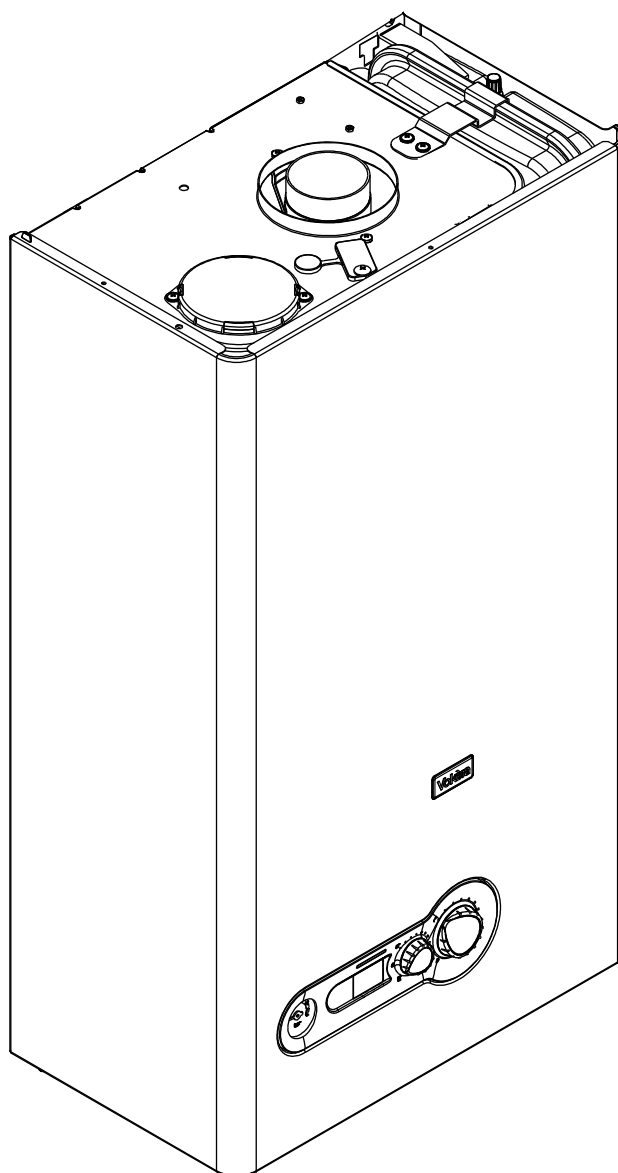
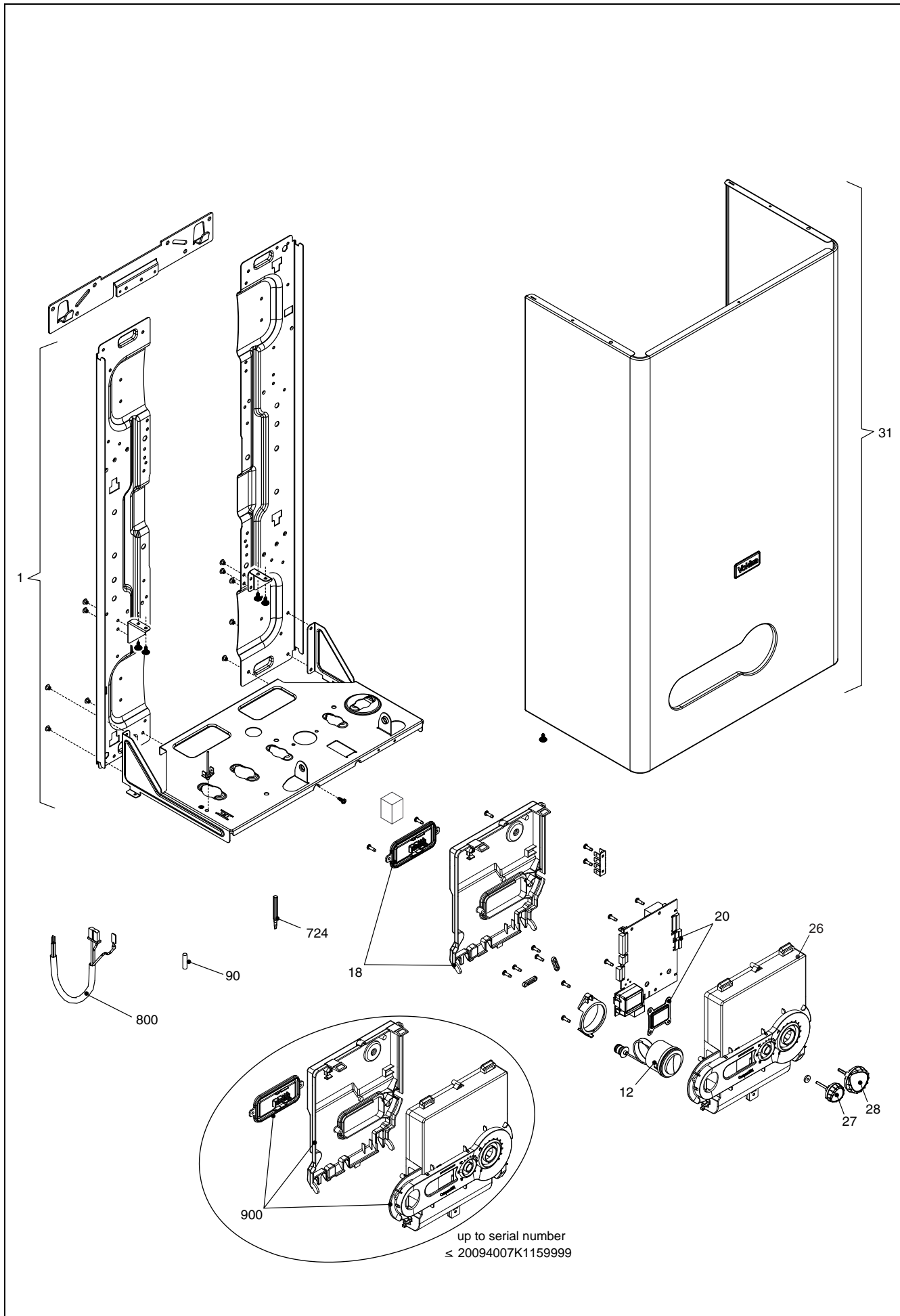


Wall hung boilers

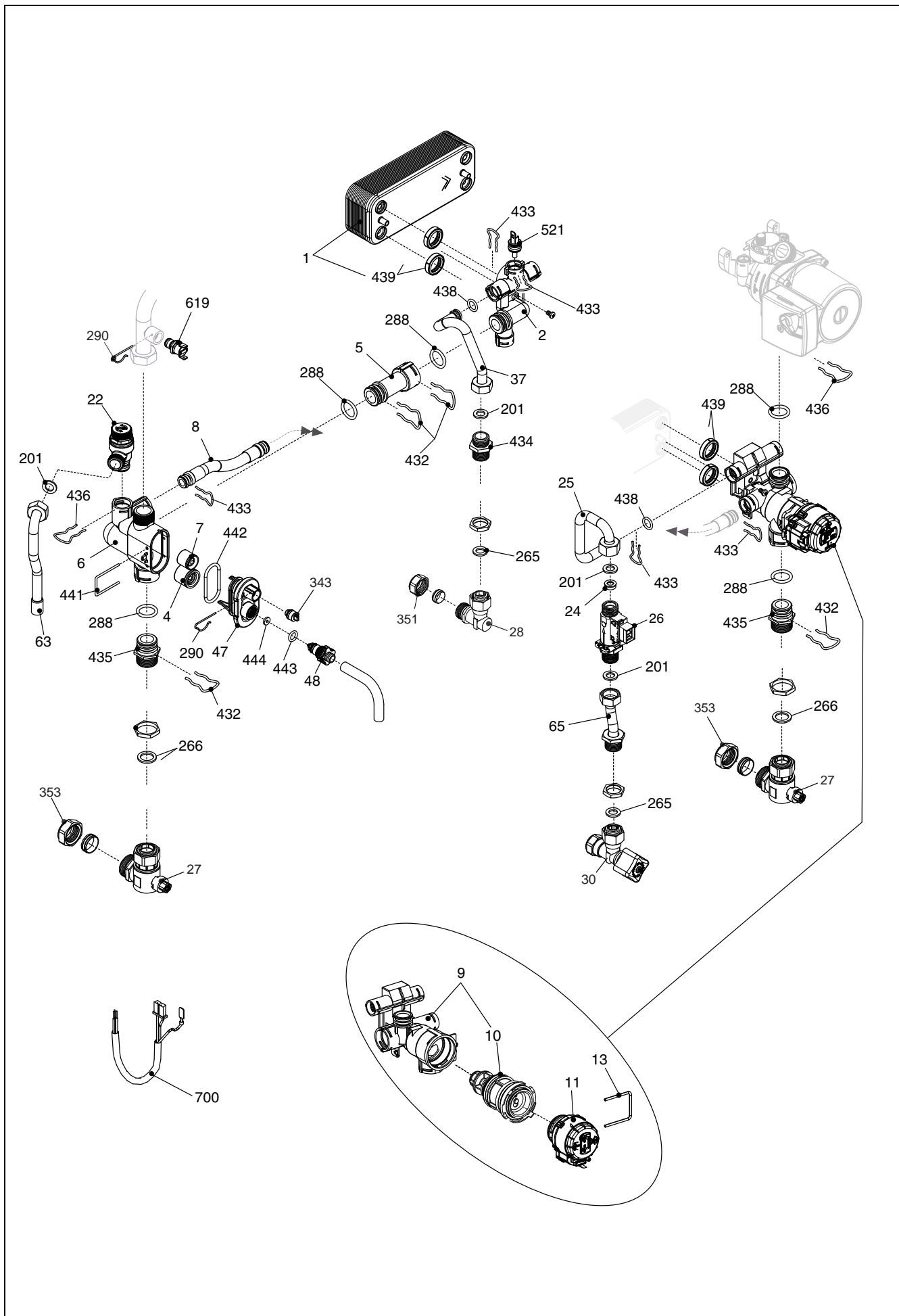
Compact 29 A DIN



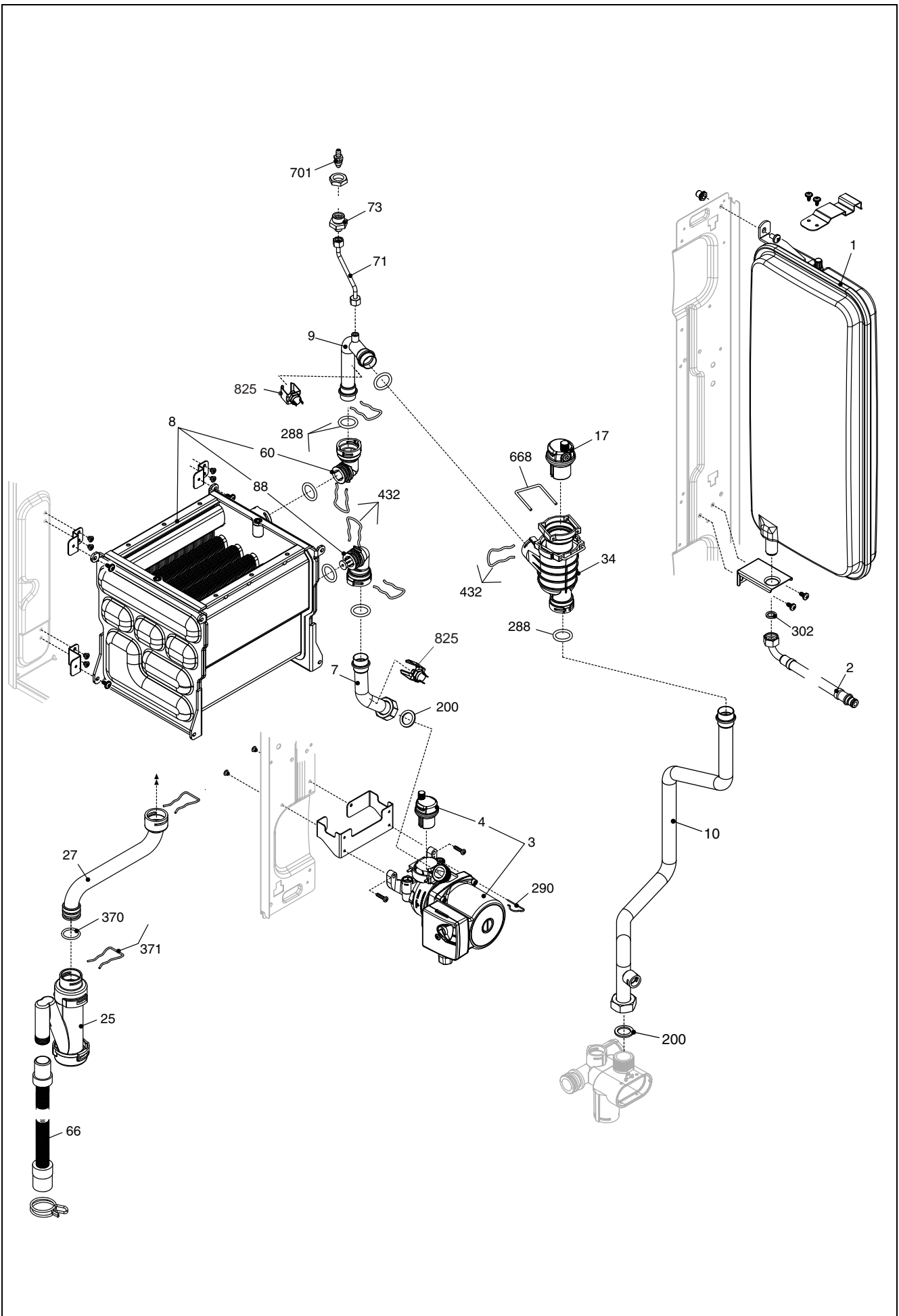
MODEL	PART NUMBER	
	MTN	GPL
Compact 29 A DIN	20094007	-



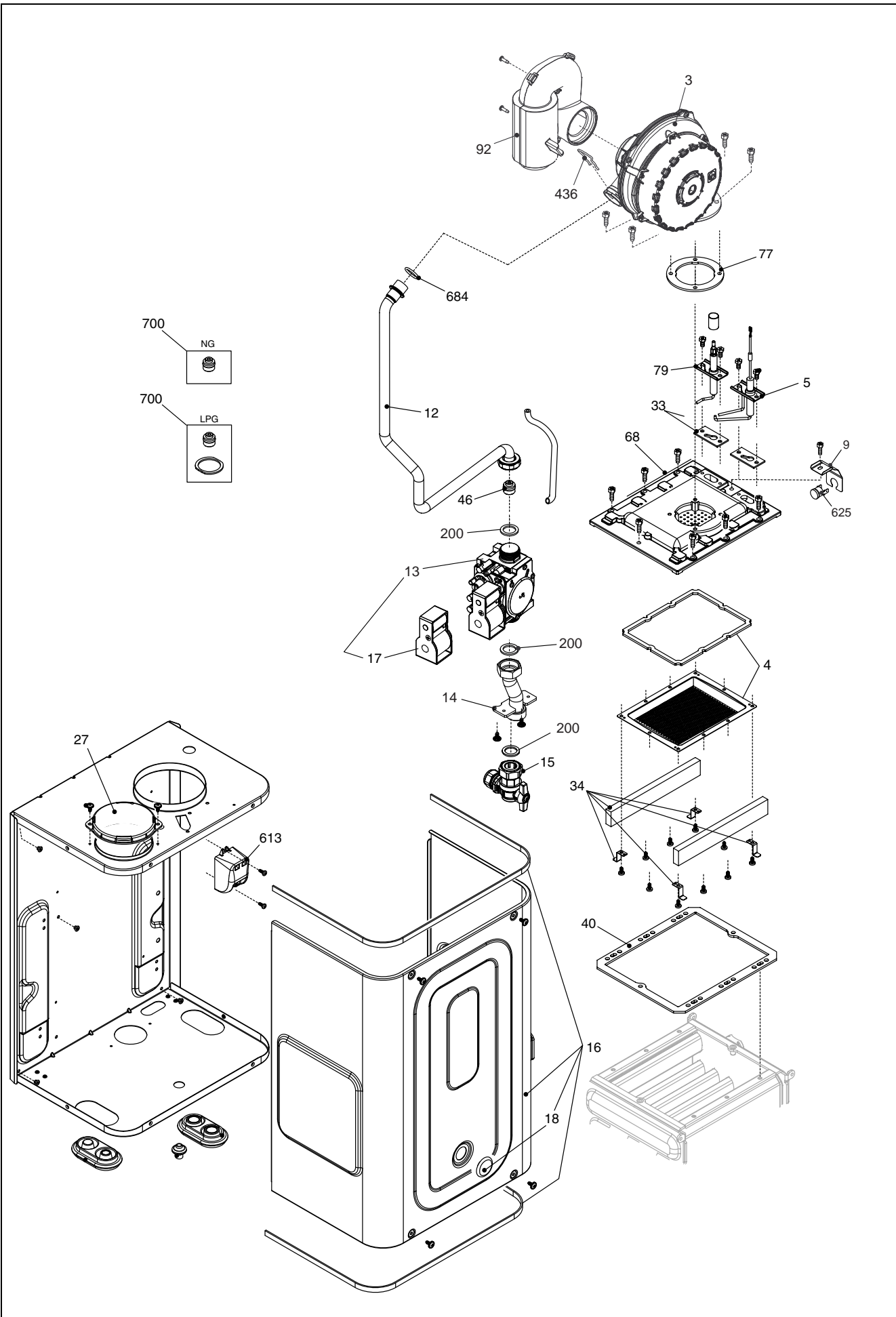
POS.	DESCRIPTION	29A
2	Frame	20060133
12	Pressure gauge	20042115
18	Control panel cover (from serial n.≥ 20094007K1250001)	20101178
20	Printed circuit board	20071334
26	Instrumental panel (from serial n.≥ 20094007K1250001)	20101183
27	Knob	20057330
28	Knob	20059926
31	Case Assembly	20083194
90	Fuse	R3478
724	Calibration screwdriver	R2455
800	Power wiring harness	20035405
800	Low tension cable	20025734
800	Cable	R1547
900	Instrumental panel and cover (up to serial n.≤ 20094007K1159999)	20101184



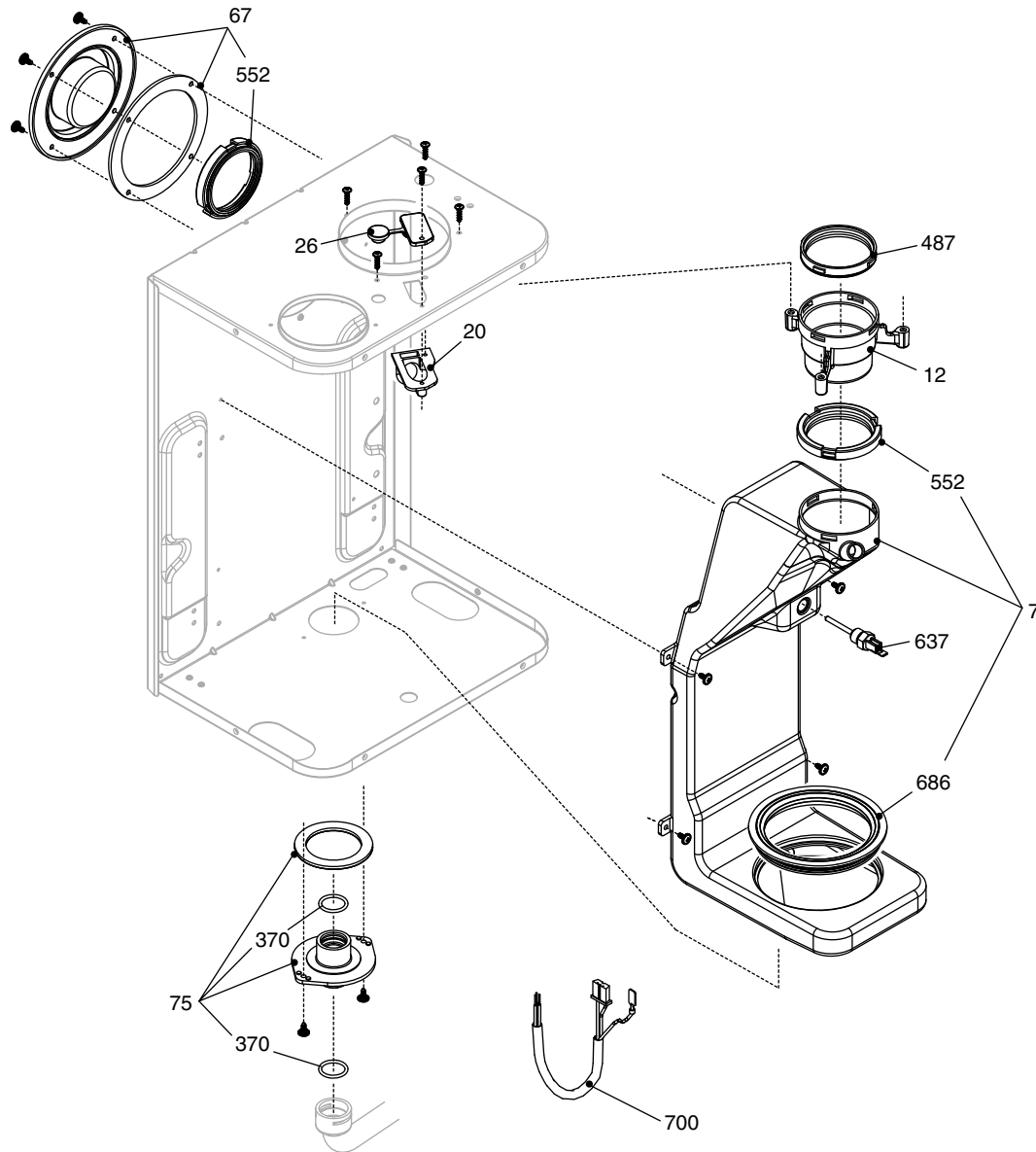
POS.	DESCRIPTION	29A
1	Exchanger	R8037
2	Fitting/union	20092620
4	Non return valve	R10025056
5	Connection	R10024647
6	By-pass casing	R10024642
7	By-pass valve	R1552
8	Pipe	R10025057
9	3-way heating manif. and cartridge	20021497
10	Cartridge	20043594
11	Actuator	20017594
13	Clip	20017598
22	Safety valve	20043820
24	Flow governor	R10024987
25	Pipe	R10024982
26	Dhw actuator	20073700
27	Heating cock	R1789
28	Connection	R1790
30	Water supply stop cock	R7099
37	Pipe	20013140
47	Cover for by-pass assembly	R10024643
48	Cock	R10024646
63	Pipe	20036120
65	Pipe	R10024983
200	Washer	R5023
201	Washer	R5026
265	Washer	R5236
266	Washer	R5237
288	Ring	R6898
290	Clip	R2165
343	Pump plug	R2216
351	Nut	R1823
353	Nut	R1824
432	Clip	R10024958
433	Clip	R10024986
434	Nipple	R10024985
435	Fitting/union	R10025059
436	Clip	R10025062
438	O ring	R10024988
439	Washer	R10025067
441	Clip	R10025063
442	O ring	R10025065
443	O ring	R10025064
444	Washer	R10025066
521	NTC sensor	R10027351
619	Pressure	20003181
700	Hydraulic control cable	20017596



POS.	DESCRIPTION	29A
1	8 ft. expansion vessel	20034320
2	Flexible pipe	20012937
3	Pump Kit	20039926
4	Air vent bottle	R10025485
7	Pipe	20074590
8	Condensing exchanger assembly	20039924
9	Pipe	20090680
10	Pipe	20072330
17	Air vent valve	20019768
25	Siphon	20025733
27	Condensation outlet tube kit	20025743
34	Degasser kit	20032553
60	Connection	20039953
66	Flexible pipe	R10027545
71	Pipe	20025746
73	Cock	R10028431
88	Connection	20039954
200	Washer	R5023
288	Ring	R6898
290	Clip	R2165
302	Washer	R5025
370	O ring	R10023533
371	Clip	R10023532
432	Clip	R10024958
668	Clip	20019767
701	Vent plug	R10023235
825	NTC Detector	20078350



POS.	DESCRIPTION	29A
3	Integrated fan	20081318
4	Burner	20055216
5	Ignition electrode	20025737
9	Clip	20093799
12	Pipe	20039152
13	Gas valve	20039202
14	Gas pipe	20040474
15	3/4" gas cock	R10020897
16	Combustion chamber cover	20005594
17	Gas valve solenoid	20040675
18	Plug	20005550
27	Hole cover	20005586
33	Seal ignition electrode	20025740
34	Protection	20046270
40	Washer	20046265
46	Gas diaphragm 5.1	R2353
68	Cover	20046266
77	Washer	20025753
79	Detector electrode	20043523
92	Suction pipe	20025760
200	Washer	R5023
436	Clip	R10025062
613	Ignition transformer	20001563
625	High limit thermostat	20005585
680	Washer	20024869
700	Ng conversion kit	20113104
700	LPG conversion kit	20113110



POS.	DESCRIPTION	29A
7	Conveyor	20055453
12	Flue drain connection	R10028421
20	Outlet nut	20026049
26	Plug	20026058
67	Drain plug	20000118
75	Flue clllector	20026056
370	O ring	R10023533
487	Washer Ø 60	R10026345
552	Washer Ø 60	R10028426
637	Flue sensor	20007050
686	Washer	20026059
700	Combustion cable	20025736

Rev.	data	Descrizione
1.0	26/03/2015	E00120140884 : cruscotto , copertura parti elettriche (con gestione matricole)
2.0	30/04/2015	Aggiunte trasformazioni gas
3.0	30/11/2015	E00120150290 : tappo degasatore 2 fori E00120150787 : diaframma gas , trasformazioni gas



Vokera reserve the right to change the specifications without prior notice.
Consumers' statutory rights are not affected.