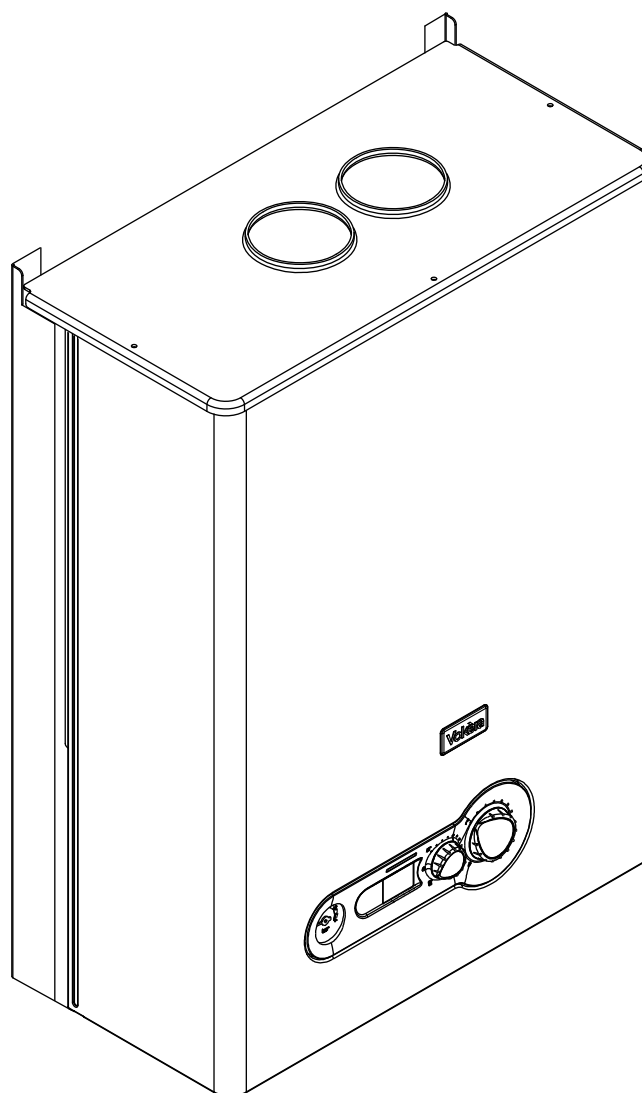
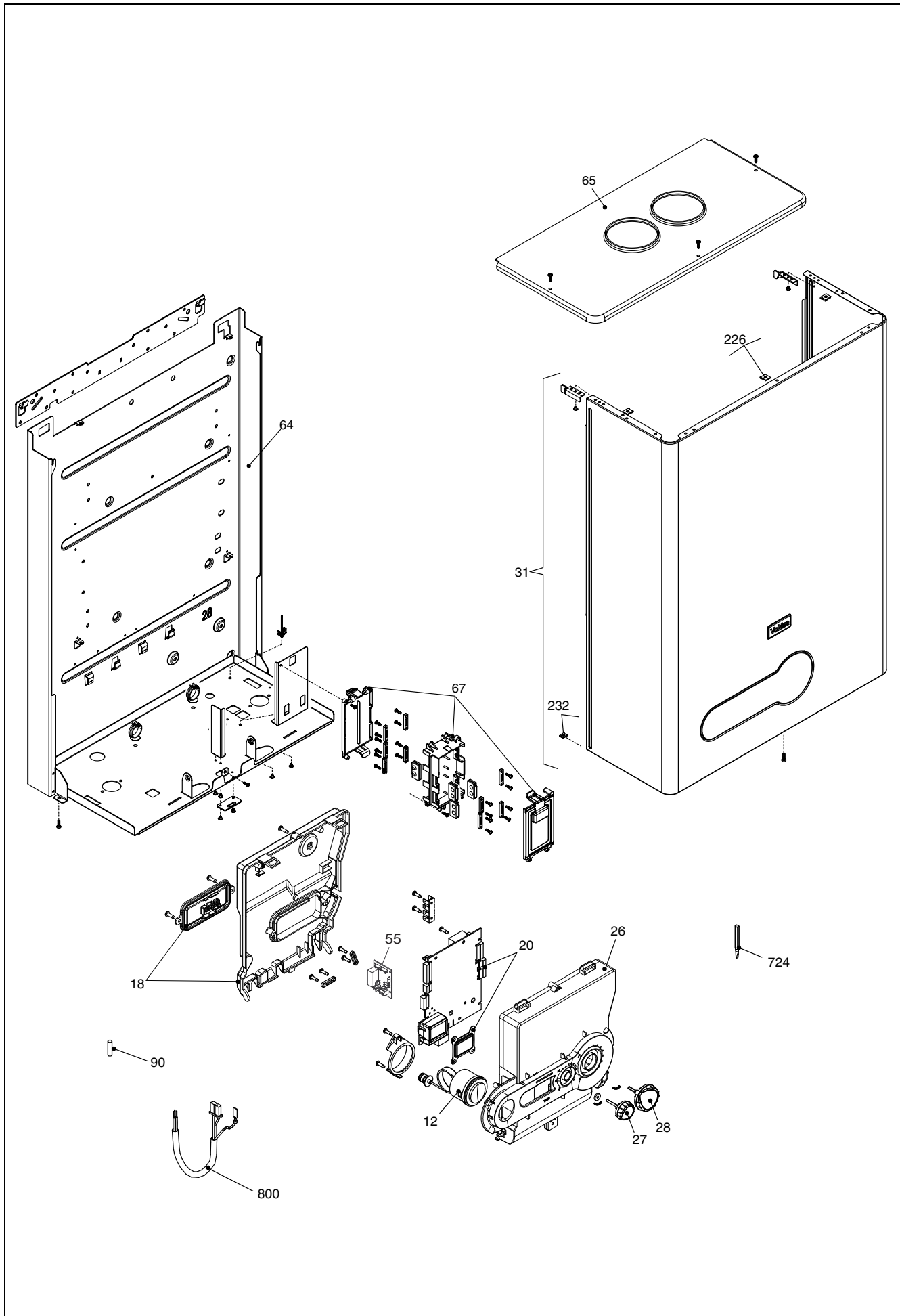


Wall hung boilers

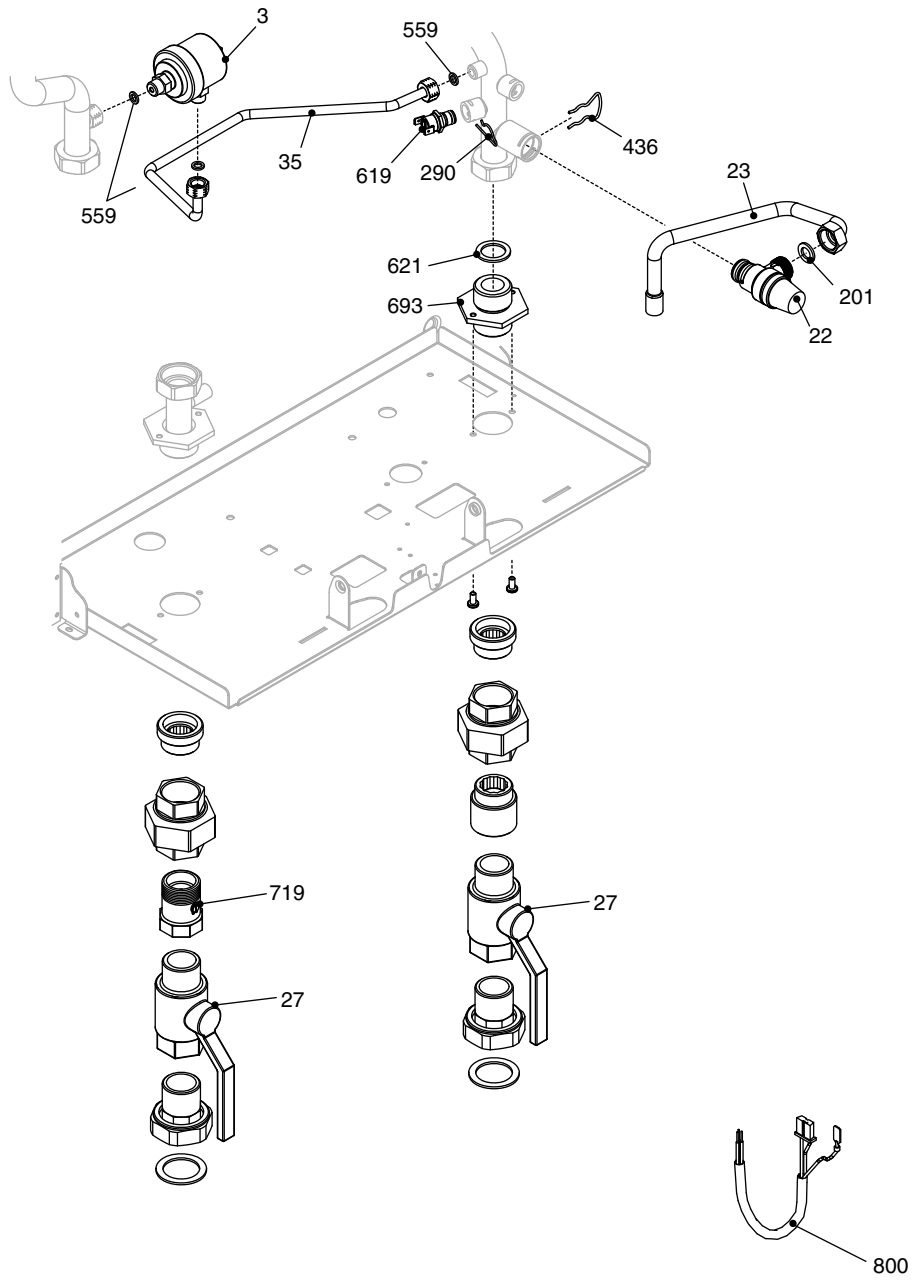
Verve



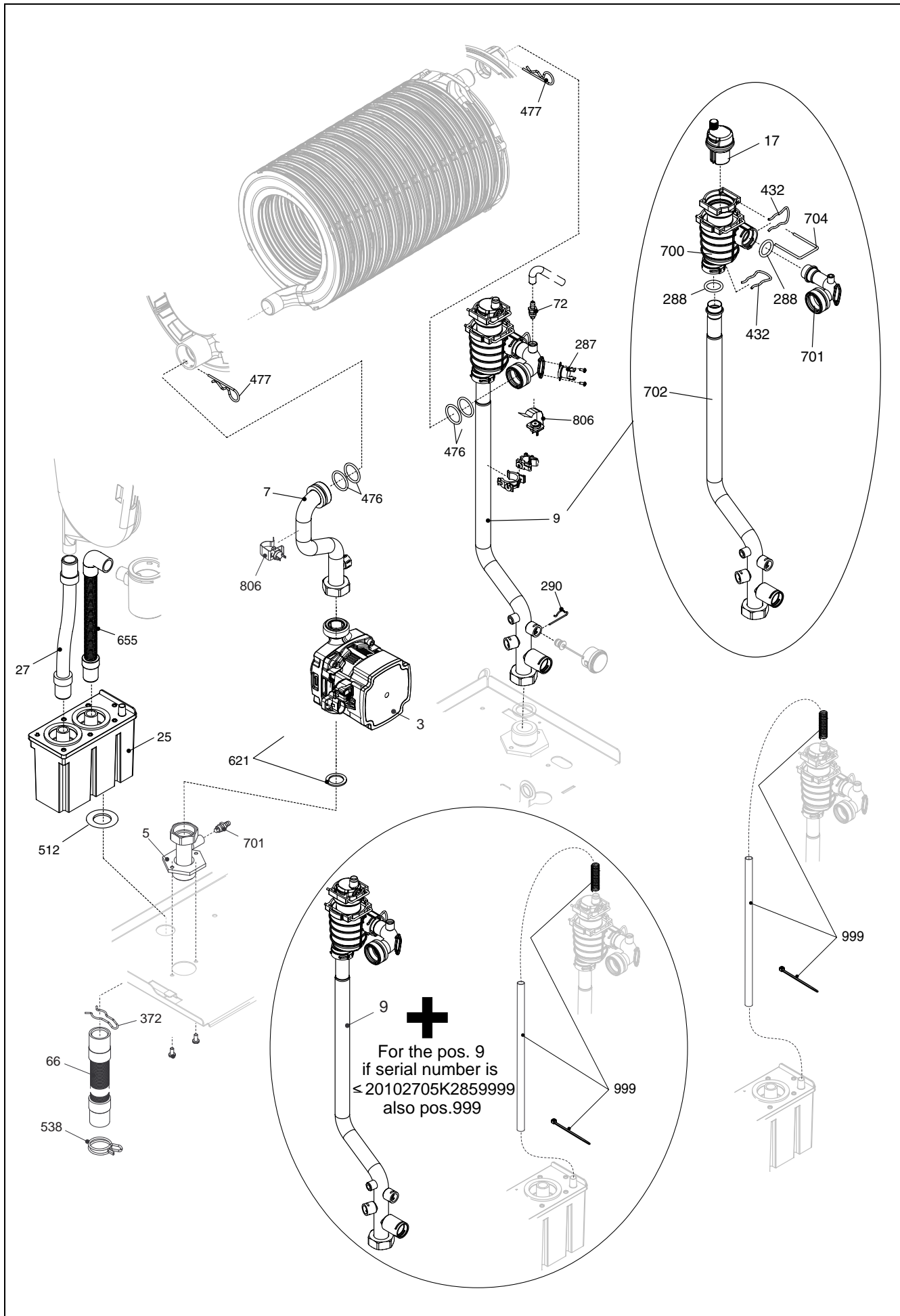
MODEL	PART NUMBER	
	MTN	GPL
Verve	20102705	-



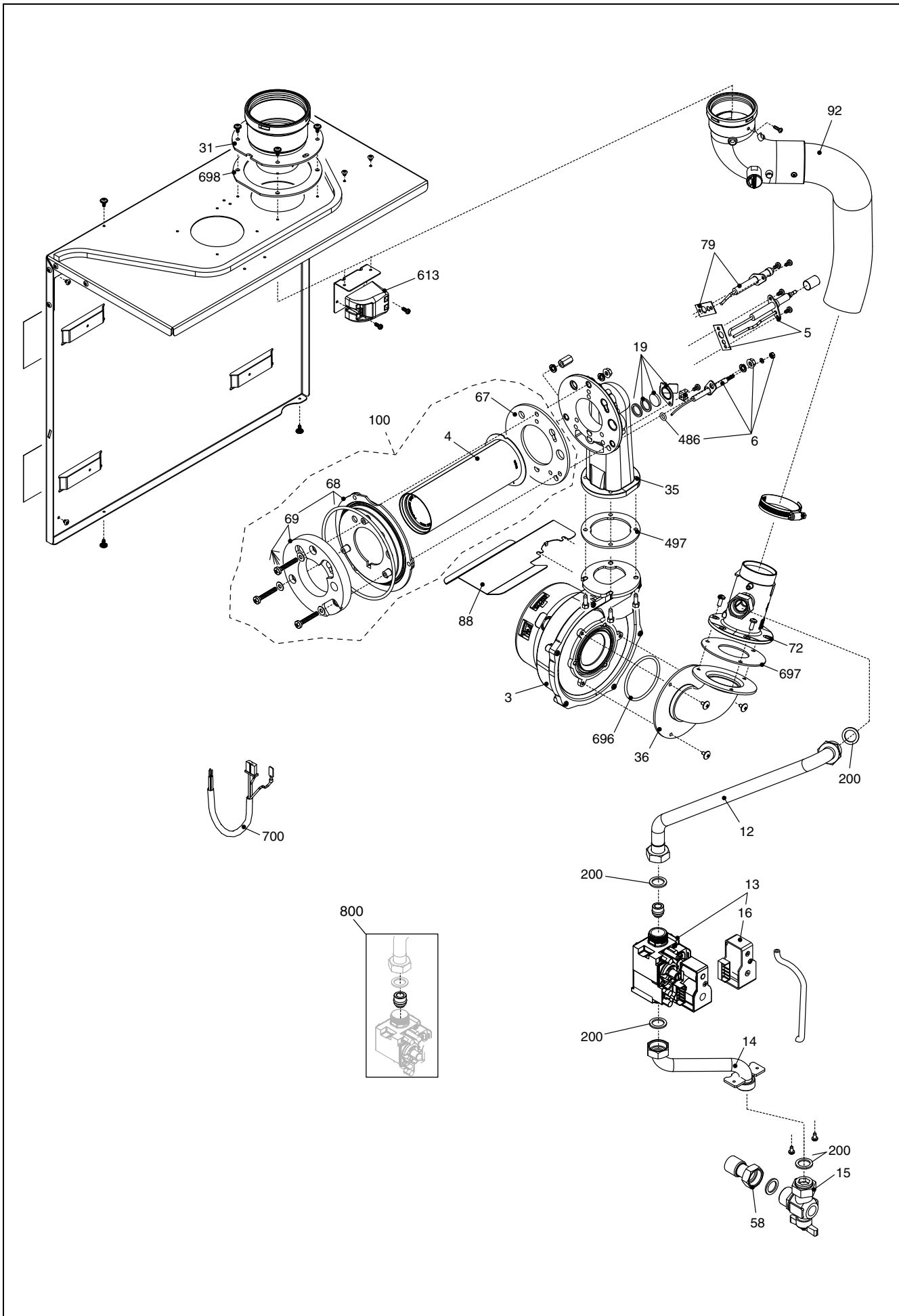
POS.	DESCRIPTION	Verve
12	Pressure gauge	20042115
18	Cover assembly	20098226
20	Printed circuit board	20071334
26	Instrumental panel	20099856
27	Knob	20057330
28	Knob	20059926
31	Case Assembly	20095477
55	Printed circuit board	R10026404
64	Frame	20059423
65	Cover	20028769
67	Wiring box	R01005468
90	Fuse	R3478
226	Clip	R5128
232	Clip	R5151
724	Calibration screwdriver	R2455
800	Wiring harness	20040989
800	Low voltage wiring	20057395
800	Wiring harness	20081973
800	Power wiring harness	20104997



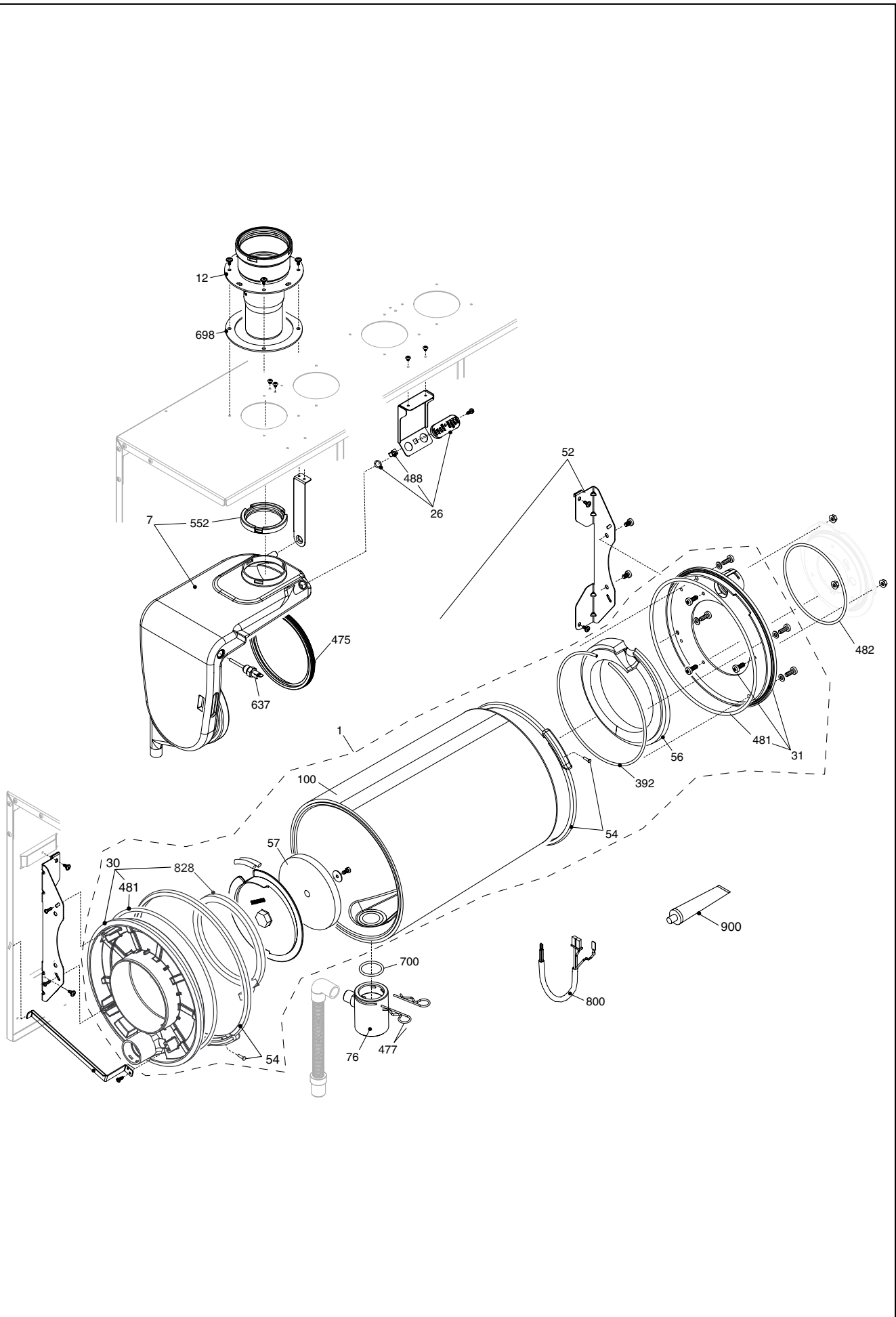
POS.	DESCRIPTION	Verve
3	Pressure	20028740
22	Safety valve	20028731
23	Pipe	20057390
27	Cock	20040979
35	Pipe	20028736
201	Washer	R5026
290	Clip	R2165
436	Clip	R10025062
559	Washer	R5052
619	Pressure	20003181
621	Washer	R5038
693	Nipple	20028904
719	Non return valve	R104268
800	Hydraulic control cable	20040981



POS.	DESCRIPTION	Verve
3	Pump	20104996
5	Pipe	20028732
7	Pipe	20067815
9	Pipe assembly (also code 20110778 if serial n. ≤ 20102705K2859999)	20067826
17	Air vent valve	20019768
25	Condensate reservoir	R10028405
27	Flexible pipe	20028760
72	Vent plug	R10023235
287	High limit	R2258
288	Ring	R6898
290	Clip	R2165
372	Clip	R2588
432	Clip	R10024958
476	O ring	R10026324
477	Split pin	R10026269
512	Washer	R10027193
621	Washer	R5038
655	Condensing pipe	20010331
700	Degasser kit	20032553
701	Pipe	20067816
702	Pipe	20028734
704	Clip	20019767
734	Flexible pipe	R10026272
806	NTC sensor	20067813
999	Degasser connection assembly	20110778



POS.	DESCRIPTION	Verve
3	Fan	20085965
4	Burner	20086694
5	Ignition electrode	20074728
6	Condense electrode	R10026316
12	Pipe	20028738
13	Gas valve	20039202
14	Pipe	20028749
15	3/4" gas cock	R7330
16	Gas valve solenoid	20040675
19	Burner observation port kit	R10026328
31	Stub pipe	20028745
35	Air/gas manifold	R10028420
36	Conveyor	20028739
58	Pipe	20025757
67	Washer	R10026322
68	Flange	20046837
69	Insulation panel	20046836
72	Mixer	20028741
79	Flame sensor	R10028422
88	Blower heat shield	20006411
92	Suction pipe	20028759
100	Burner assembly	20028763
200	Washer	R5023
486	O ring	R10026325
497	Washer	R10026796
613	Ignition transformer	20001563
696	O ring	20028744
697	Washer	20028737
698	Washer	20028746
800	Ng conversion kit	20032150
800	LPG conversion kit	20032155
900	wiring harness - fan	20040983
900	Fan Power Wiring	20040987
900	Spark electrode cable	R10026558
900	Flame wiring harness	20040982



POS.	DESCRIPTION	Verve
1	Condensing exchanger assembly	20073763
7	Conveyor	20007053
12	Stub pipe	20028747
26	Cap smoke analysis	20089999
30	Flange assembly	20101331
31	Burner flange	20047807
52	Bracket assembly	20101332
54	Ring closing	20047811
56	Insulation panel	20047812
57	Tryton retarder	20036537
76	Tank condensation collecting	20033722
100	Container exchanger	20048272
392	Washer	20047819
475	Outlet heat exch.seal gasket	R10026323
477	Split pin	R10026269
481	Washer	20047802
482	Inlet heat exch.seal gasket	R10026366
488	O ring	R10026494
552	Washer Ø 60	R10028426
637	Flue sensor	20007050
698	Washer	20028746
700	Washer	20028742
800	Combustion cable	20057394
828	Washer	20095796
900	Tube sealant	20047820

Rev.	Data	Descrizione
1.0	07/10/2015	E00120150526 : Rampa degasatore e collegamento sifone (con gestione matricola)



Vokera reserve the right to change the specifications without prior notice.
Consumers' statutory rights are not affected.