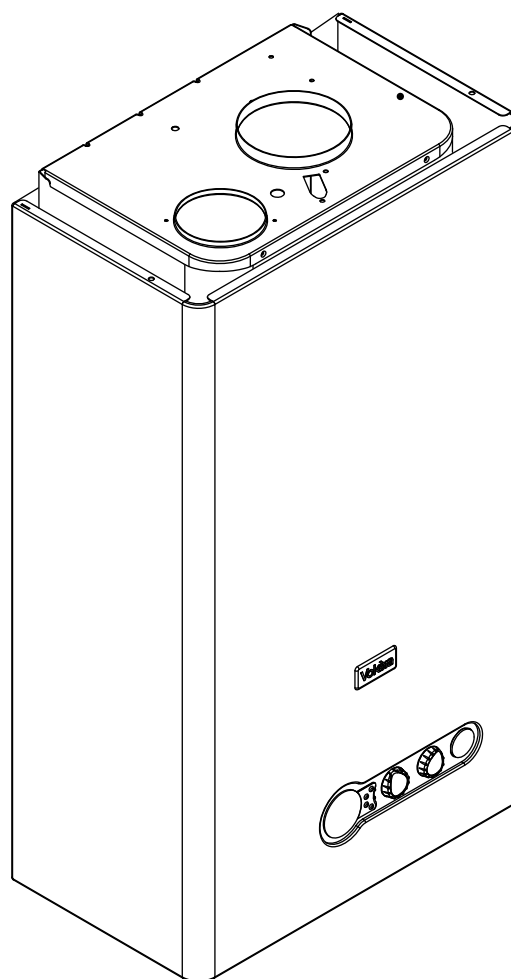
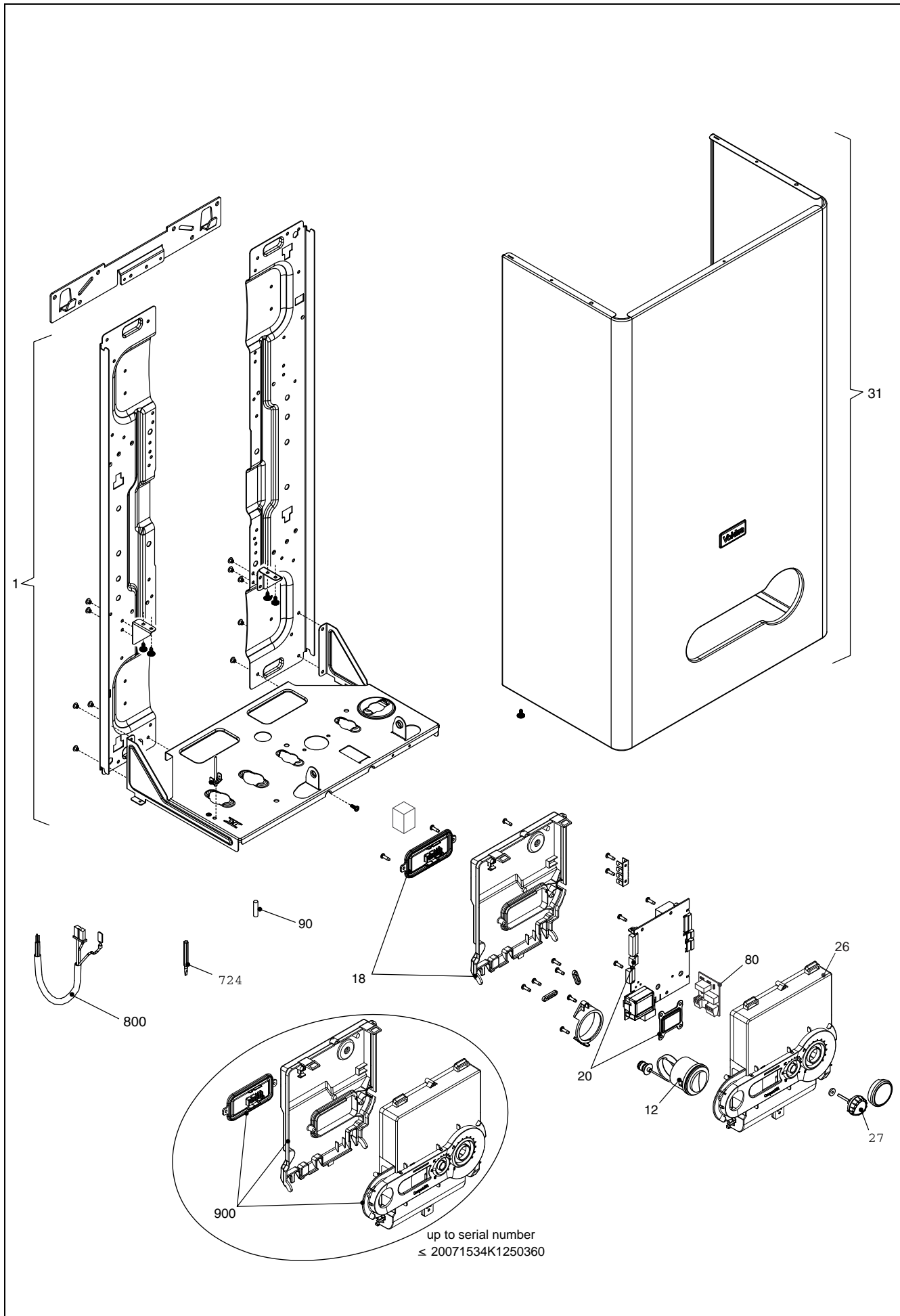


Wall hung boilers

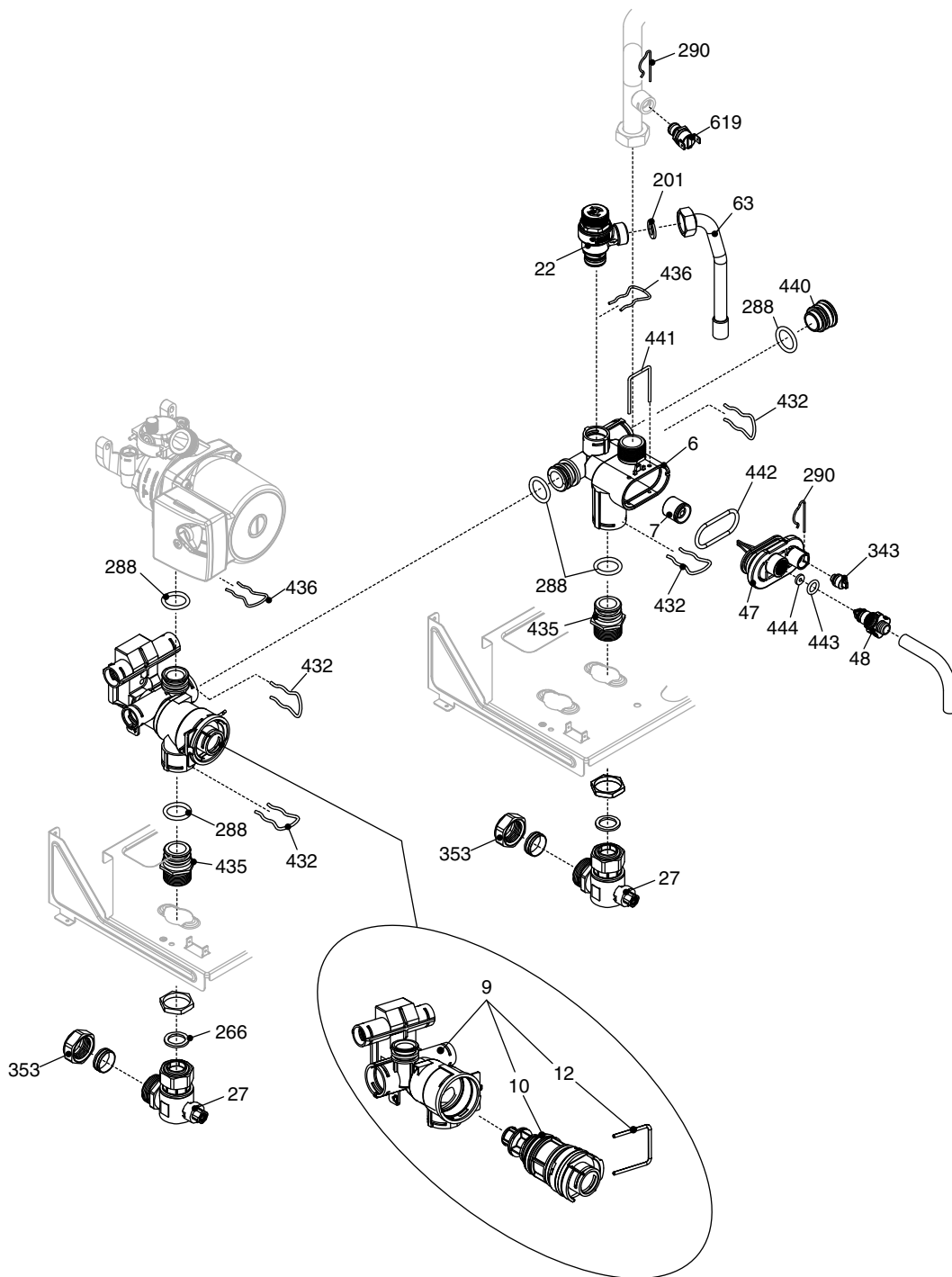
VISION 20S



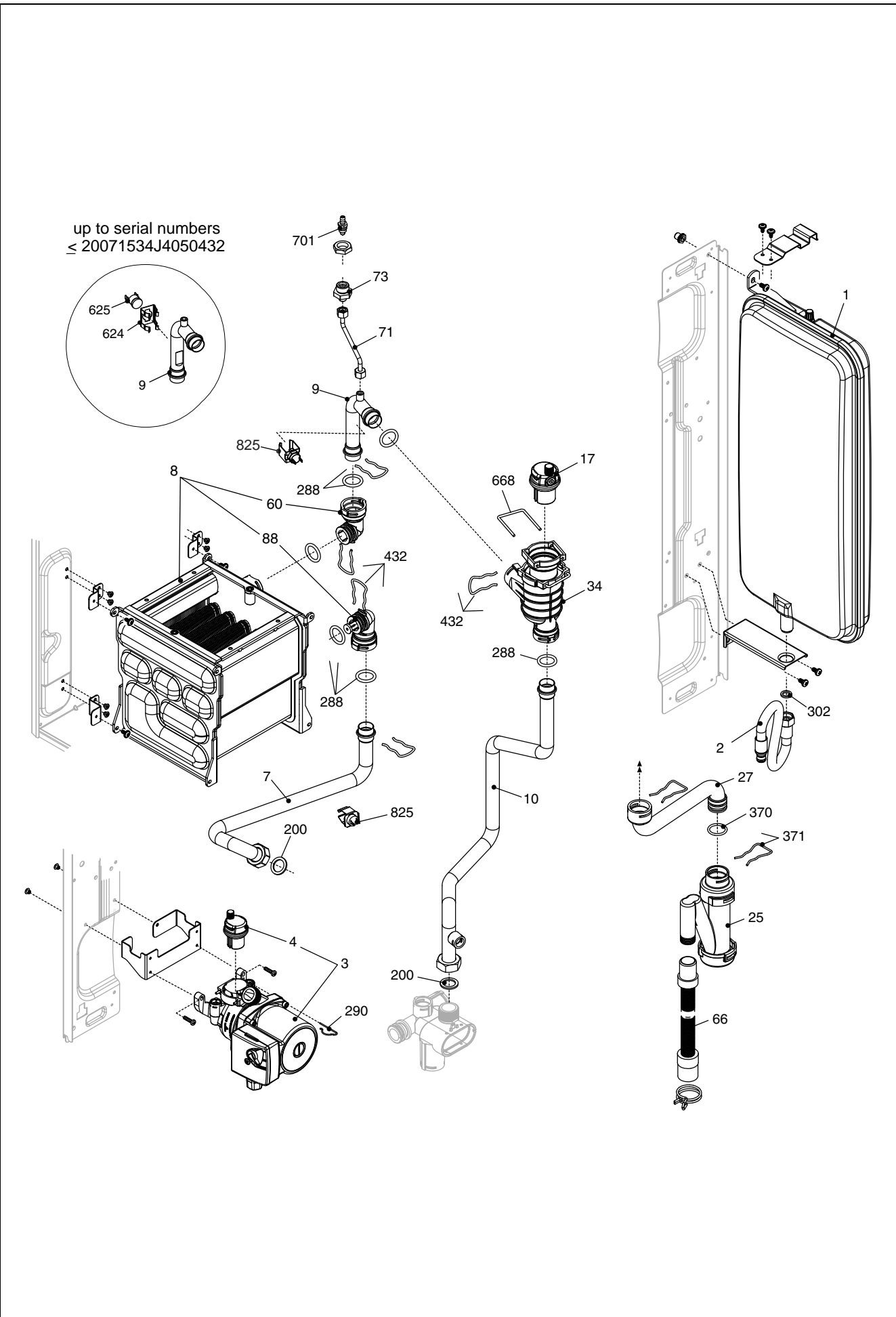
MODEL	PART NUMBER	
	MTN	GPL
Vision 20S	20071534	-



POS.	DESCRIPTION	20s
1	Frame assembly	20049618
12	Pressure gauge	20042115
18	Control panel cover (From serial n.≥ 20071534K1250361)	20101178
20	Printed circuit board	20071334
26	Instrument panel (From serial n.≥ 20071534K1250361)	20101180
27	Knob	20057330
31	Case Assembly	20073523
80	Printed circuit board	20076436
90	Fuse	R3478
724	Calibration screwdriver	R2455
800	Cable	R1547
800	Low tension cable	20035502
800	Power wiring harness	20005572
800	Wiring harness	20076437
900	Instrumental panel and cover (Up to serial n.≤ 20071534K1250360)	20101182

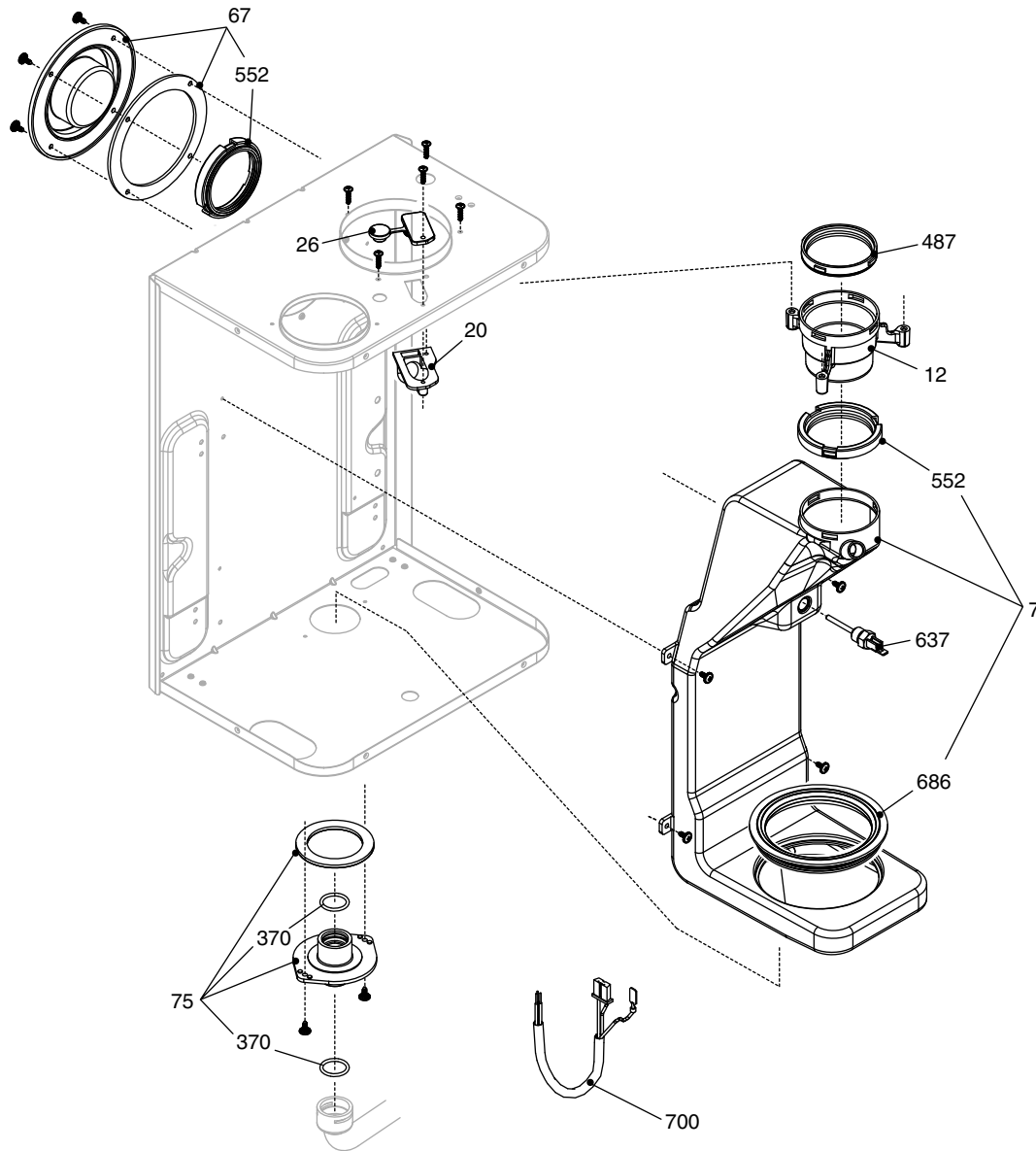


POS.	DESCRIPTION	20s
6	By-pass casing	R10024641
7	By-pass valve	R1552
9	Heating manifold and cartridge	R10027768
10	3 way valve cartridge	R10025305
12	Clip	R10025450
22	Safety valve	20043820
27	Heating cock	R1789
47	Cover for by-pass assembly	R10024643
48	Cock	R10024646
63	Pipe	20025755
201	Washer	R5026
266	Washer	R5237
288	Ring	R6898
290	Clip	R2165
343	Pump plug	R2216
353	Nut	R1824
432	Clip	R10024958
435	Fitting/union	R10025059
436	Clip	R10025062
440	Automatic by-pass plug	R10024645
441	Clip	R10025063
442	O ring	R10025065
443	O ring	R10025064
444	Washer	R10025066
619	Pressure	20003181



POS.	DESCRIPTION	20s
1	Expansion vessel	20029826
2	Pipe	R10028603
3	Pump Kit	20039926
4	Air vent bottle	R10025485
7	Pipe	20025763
8	Condensing exchanger assembly	20039923
9	Pipe (Up to serial n.≤ 20071534J4050432)	20025764
9	Pipe (From serial n.≥ 20071534J4050433)	20090680
10	Pipe	20025744
17	Air vent valve	20019768
25	Siphon	20025733
27	Condensation outlet tube kit	20025743
34	Degasser kit	20032553
60	Connection	20039953
66	Flexible pipe	R10027545
71	Pipe	20025746
73	Cock	R10028431
88	Connection	20039954
200	Washer	R5023
288	Ring	R6898
290	Clip	R2165
302	Washer	R5025
370	O ring	R10023533
371	Clip	R10023532
432	Clip	R10024958
624	Clip (Up to serial n.≤ 20071534J4050432)	R5472
625	High limit thermostat (Up to serial n.≤ 20071534J4050432)	20005585
668	Clip	20019767
701	Vent plug	R10023235
825	NTC Detector	20078350

POS.	DESCRIPTION	20s
3	Fan (Up to serial n.≤ 20071534K0550072)	20002995
3	Integrated fan (From serial n.≥ 20071534K0550073)	20081316
4	Burner	20044892
5	Spark ignition electrode	20025737
9	Clip (From serial n.≥ 20071534J4050433)	20093799
12	Pipe	20025745
13	Gas valve	20039202
14	Gas pipe	20005553
15	3/4" gas cock	R10020897
16	Combustion chamber cover	20005594
17	Gas valve solenoid	20040675
18	Plug	20005550
27	Hole cover	20005586
33	Electrode seal	20025740
34	Protection	20044890
40	Heat exchanger seal (25kw)	20044894
46	Gas diaphragm 5.1 (Up to serial n.≤ 20071534K0550072)	R2353
46	31mm diaphragm (From serial n.≥ 20071534K0550073)	20041058
67	Burner seal (kw25)	20116624
68	Cover	20044895
72	Mixer (Up to serial n.≤ 20071534K0550072)	20025761
77	Washer	20025753
79	Flame sensor electrode	20043523
92	Silencer	20025760
96	31mm diaphragm	20041058
200	Washer	R5023
436	Clip	R10025062
613	Ignition transformer	20001563
625	High limit thermostat (From serial n.≥ 20071534J4050433)	20005585
680	Washer	20024869
700	Ng conversion kit (Up to serial n.≤ 20071534K0550072)	20045568
700	Ng conversion kit (From serial n.≥ 20071534K0550073)	20082915
700	LPG conversion kit (Up to serial n.≤ 20071534K0550072)	20045569
700	LPG conversion kit (From serial n.≥ 20071534K0550073)	20082917



POS.	DESCRIPTION	20s
7	Conveyor	20055453
12	Flue drain connection	R10028421
20	Outlet nut	20026049
26	Plug	20026058
67	Drain plug	20000118
75	Flue clector	20026056
370	O ring	R10023533
487	Washer Ø 60	R10026345
552	Washer Ø 60	R10028426
637	Flue sensor	20007050
686	Washer	20026059
700	Combustion cable	20025736

Rev.	data	Descrizione
1.0	30/07/2013	E00120130561 : Scheda interfaccia – Aggiunti componenti valvola tre vie
2.0	14/10/2014	E00120140454 : posizione termostato (con gestione matricole) Aggiunte trasformazioni gas
3.0	12/02/2015	E00120130840 : ventilatore integrato (con gestione matricola)
4.0	26/03/2015	E00120140884 : cruscotto , copertura parti elettriche (con gestione matricole)
5.0	07/04/2016	E00120150290 : tappo degasatore due fori Corretto disegno scatola aria – Aggiunta guarnizione bruciatore



Vokera reserve the right to change the specifications without prior notice.
Consumers' statutory rights are not affected.