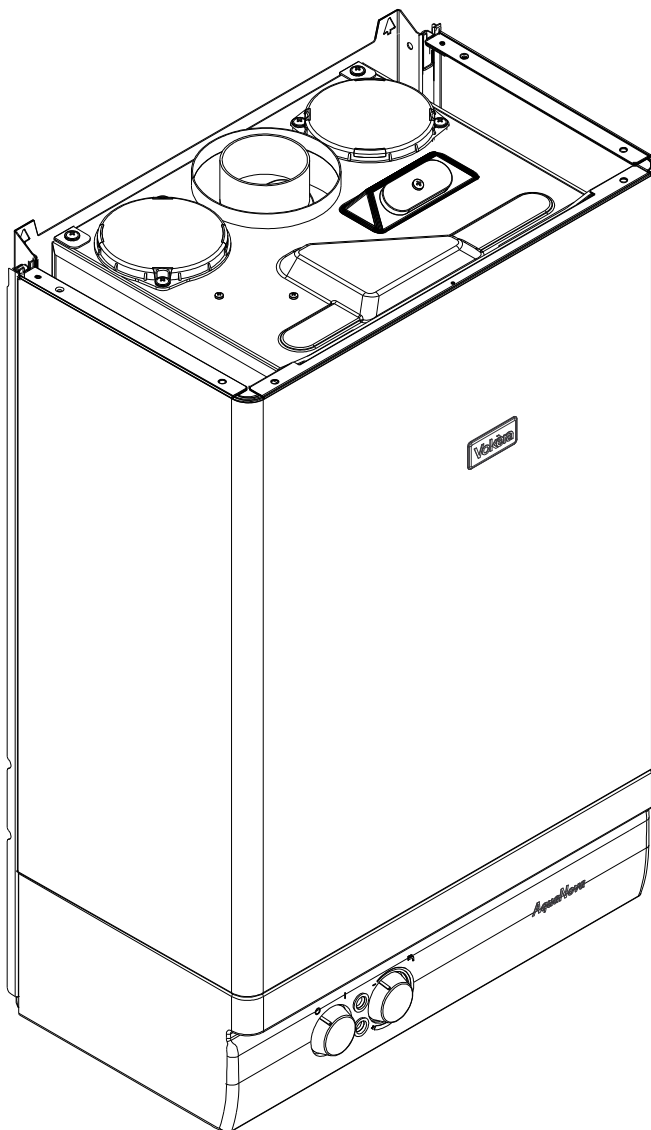
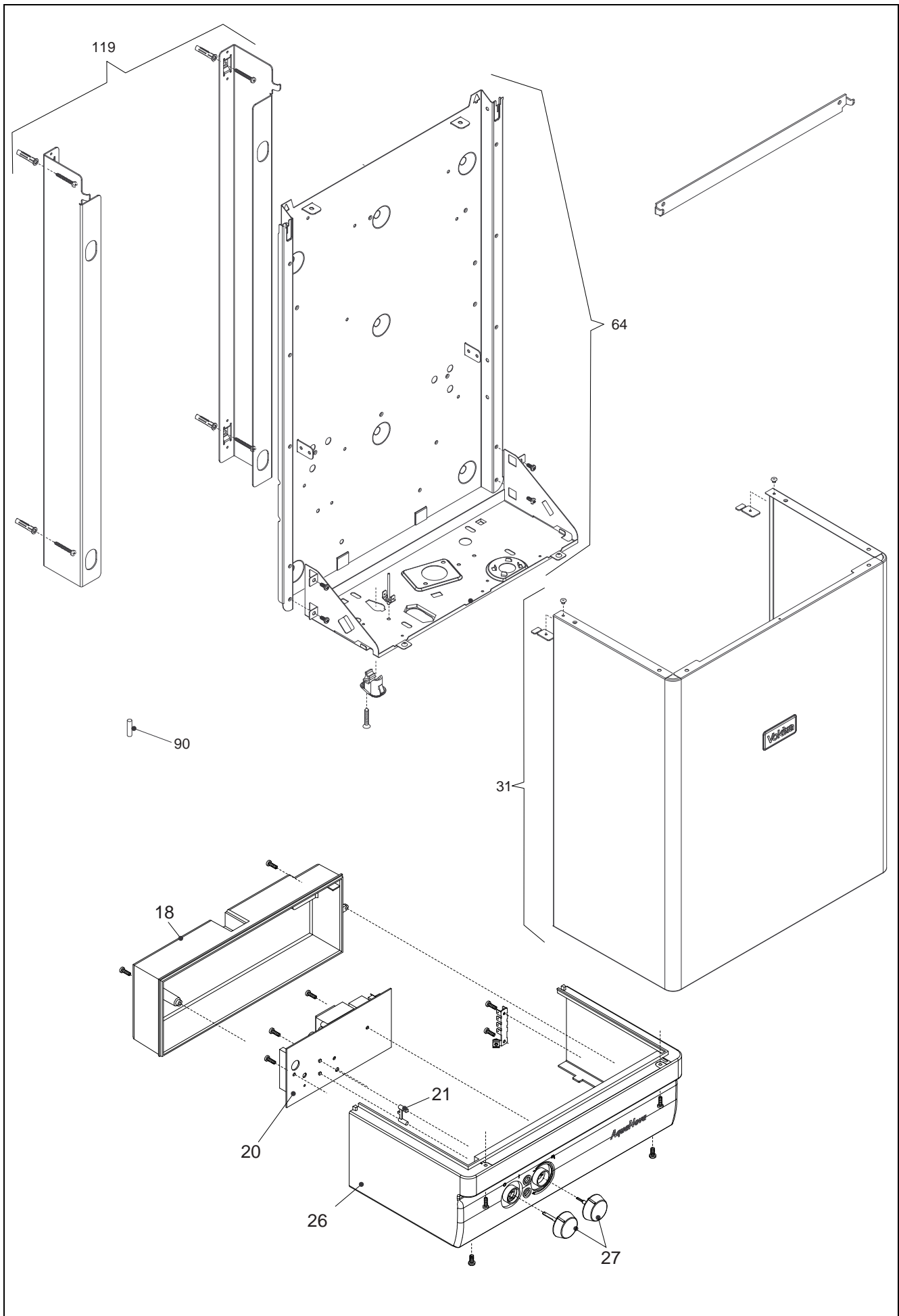


Wall hung heater

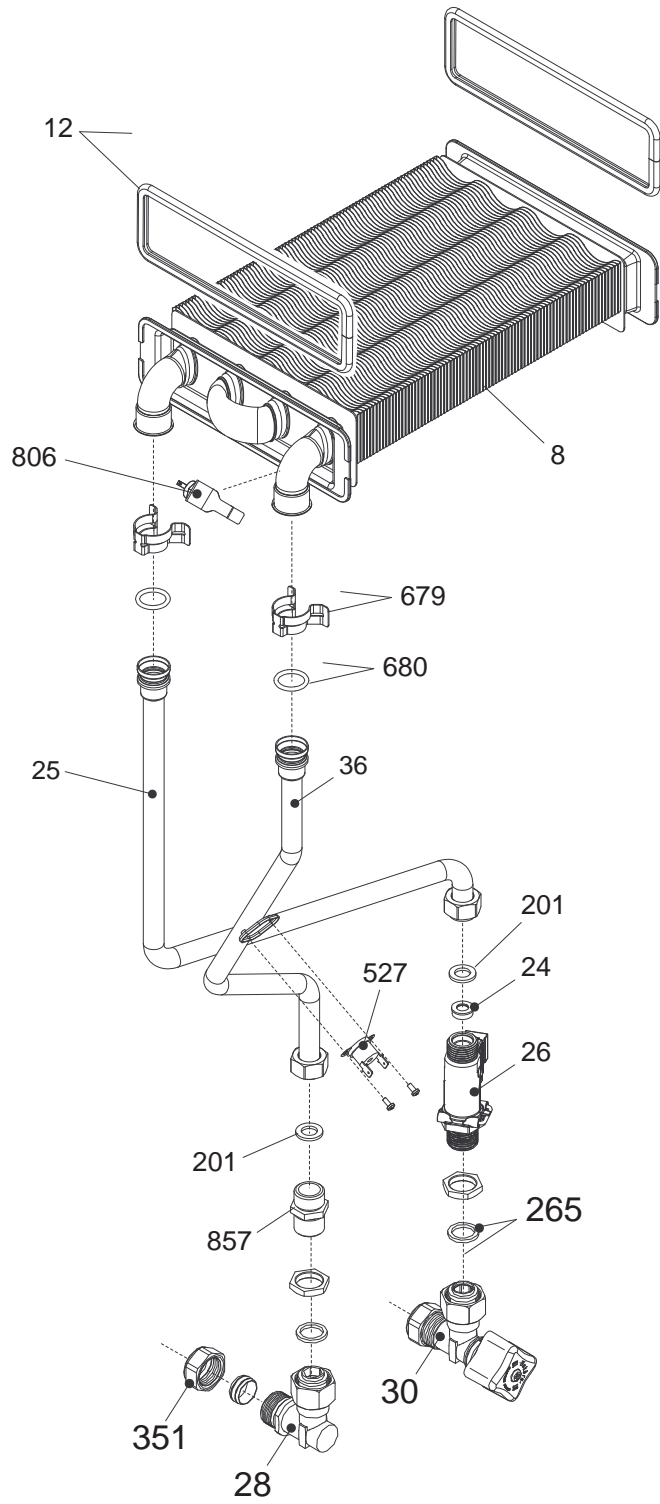
Aqua Nova 17



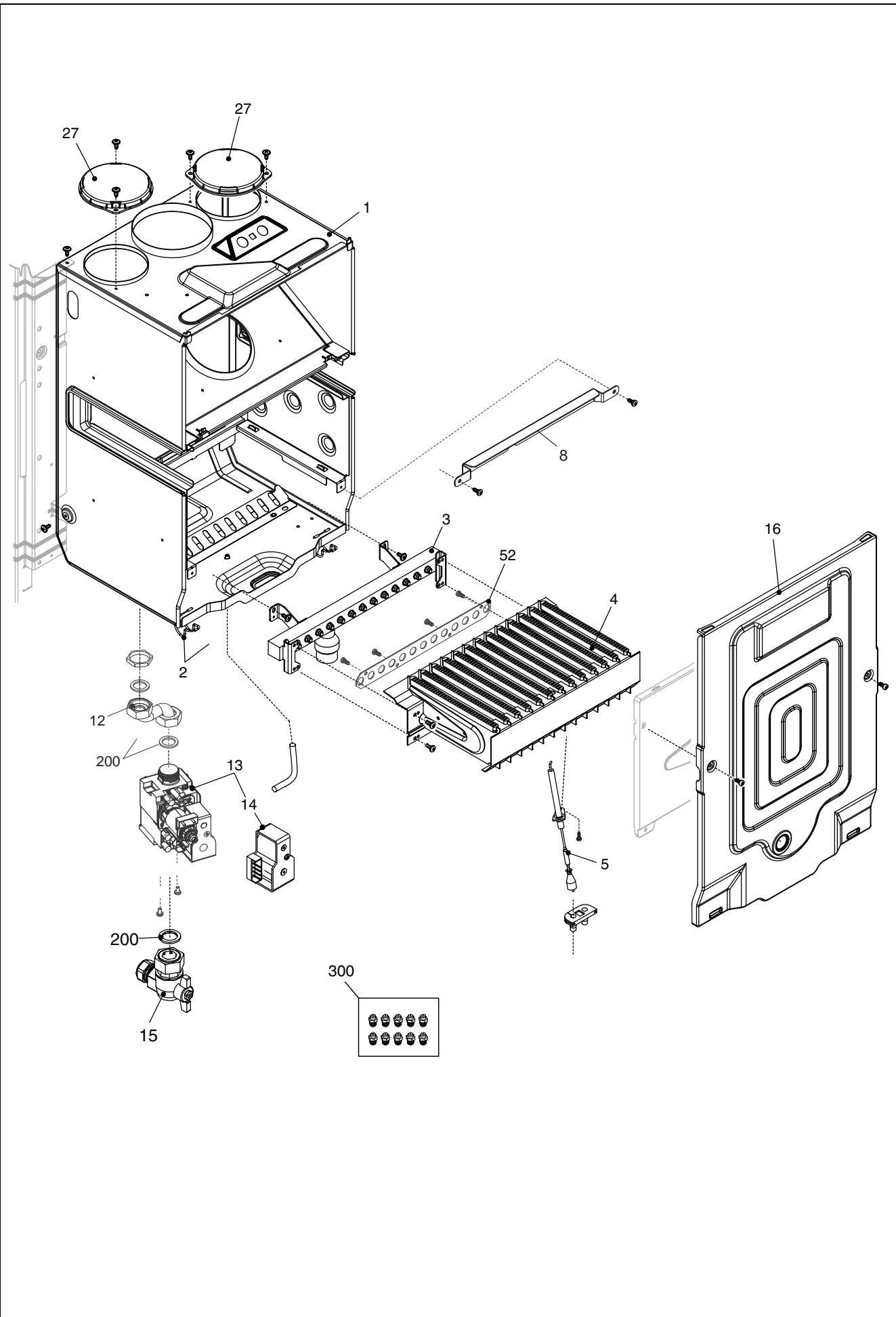
MODEL	PART NUMBER	
	MTN	GPL
Aqua Nova 17	20109286	20109287



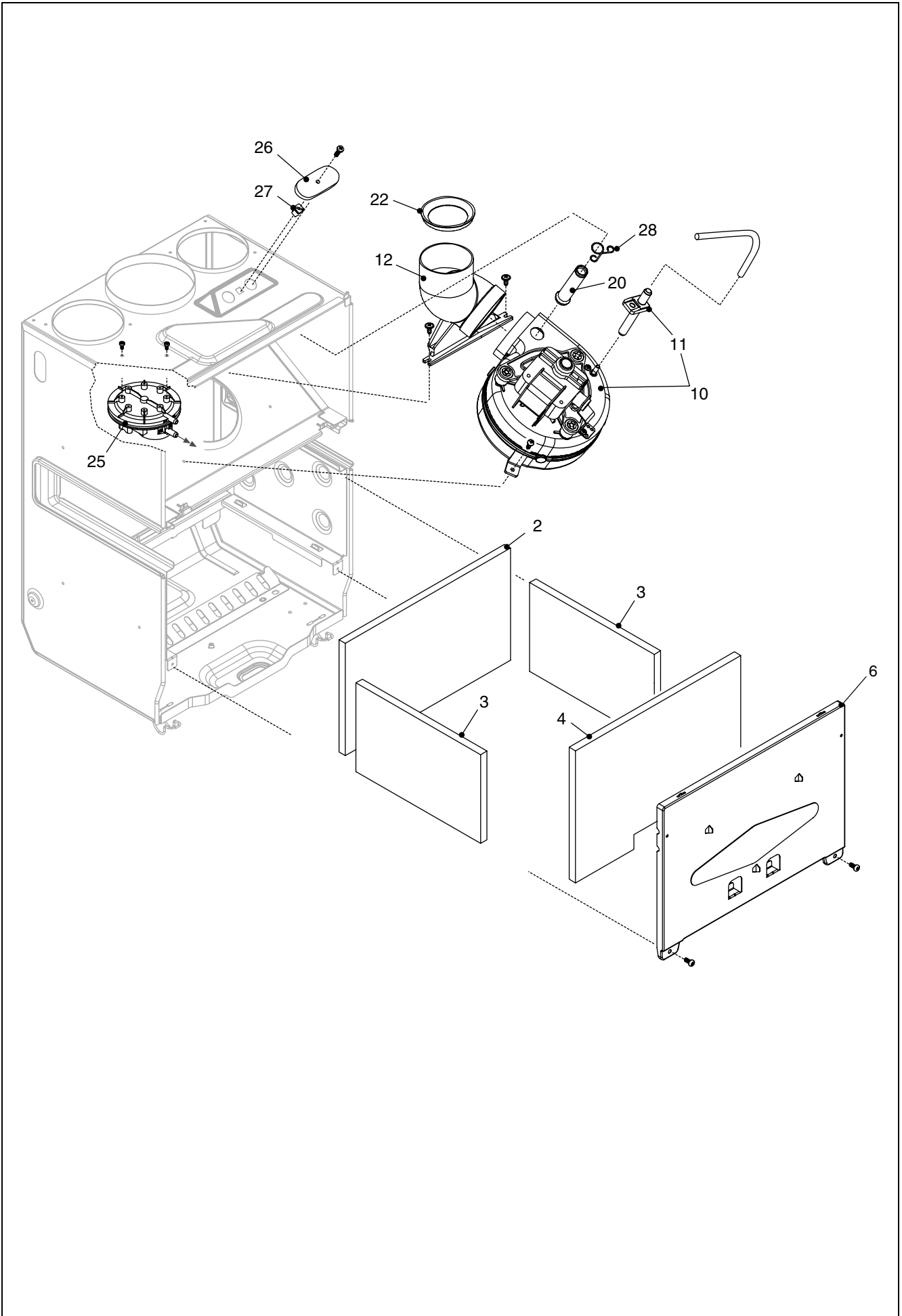
POS.	DESCRIPTION	17
18	Back cover panel	R10021120
20	Printed circuit board	20115165
21	Led light guide	R10020676
26	Instrumental panel	20118588
27	Knobs kit	20072228
31	Case Assembly	20118590
64	Frame assembly	20118577
90	Fuse	R3478
119	Counterframe	20129069



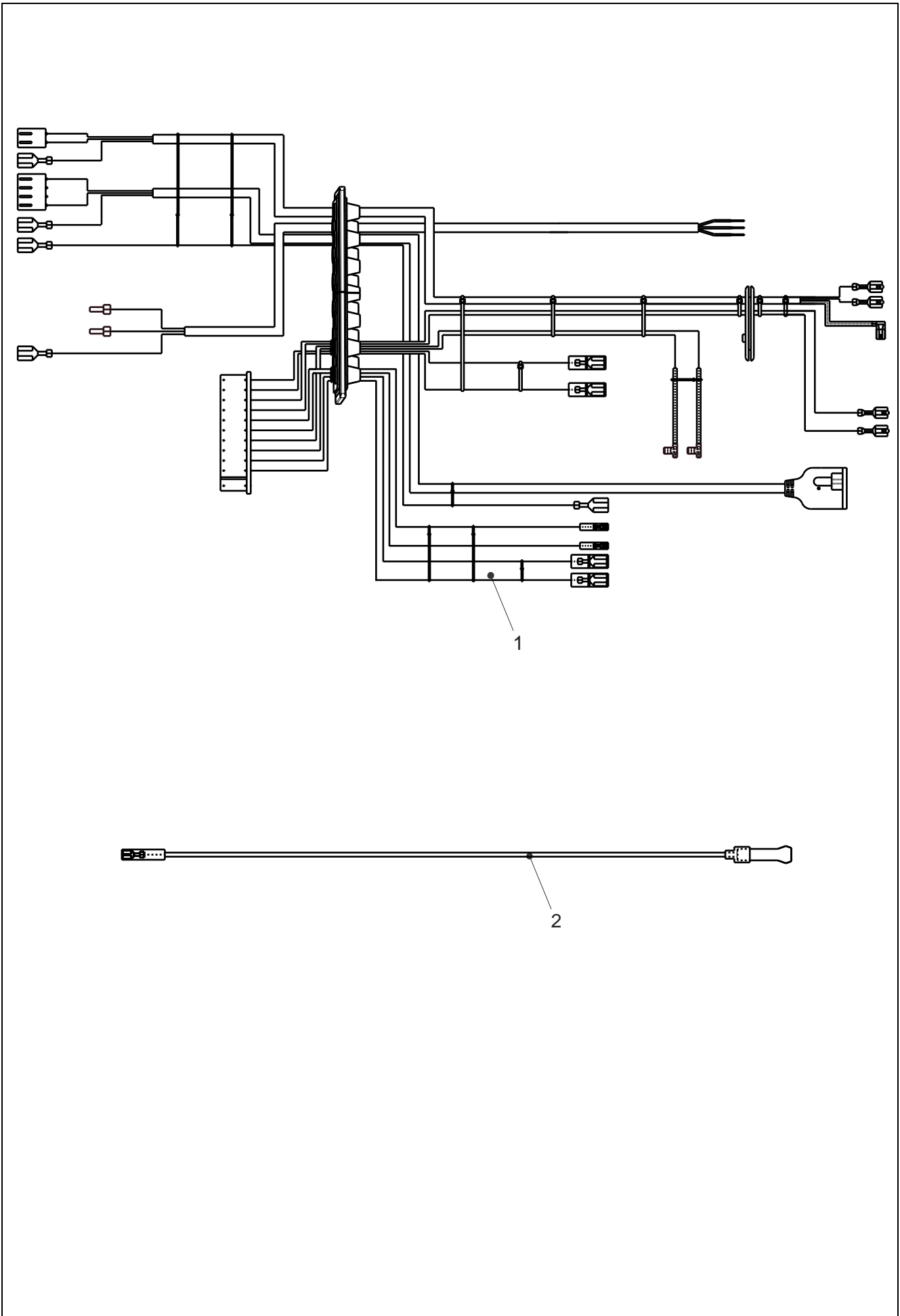
POS.	DESCRIPTION	17
8	Heat exchanger	20067270
12	Washer	R2226
24	Flow governor	R10025080
25	Pipe	20118573
26	Dhw actuator	20069786
28	Connection	R1790
30	Water supply stop cock	R7099
36	Pipe	20118574
201	Washer	R5026
265	Washer	R5236
351	Nut	R1823
527	High limit thermostat	R10021235
679	Clip	20024086
680	Washer	20024869
806	NTC sensor	20067813
857	Nipple	20115159



POS.	DESCRIPTION	17
1	Air box bottom	R10024745
2	Clip	R0442
3	Main burner injector manifold	R10024742
4	Burner	R10026102
5	Spark-sense electrode	20118582
8	Baffle	20060717
12	Pipe	20118575
13	Gas valve	20007784
14	Gas valve solenoid	20040675
15	3/4" gas cock	R10020897
16	Air box cover	20118530
27	Hole cover	20005586
52	Burner flange	20007322
200	Washer	R5023
300	NG conversion kit	20019506
300	LpG conversion kit	20019507



POS.	DESCRIPTION	17
2	Back insulatin panel	R2230
3	Combustion chamber insulation panel	R2231
4	Combustion chamber insulation panel	R2232
6	Combustion chamber front cover	R10024670
10	Fan	R10023907
11	Pressure tube	R10024191
12	Fan connection	R10021972
20	Fumes testing connection pipe	R10021973
22	Flue flange Ø 41	20020390
22	Flue flange Ø 43	20020311
22	Flue flange Ø 45	20020309
25	Pressure switch	R10023908
26	Plug	R10020624
27	Nut screw	R10020625
28	Clip	R10020626



POS.	DESCRIPTION	17
1	Power wiring harness	20118578
2	Spark electrode cable	20118580

Rev.	data	Descrizione
1.0	26/04/2016	Aggiunte posizioni alle rampe tavola 2 – Tolto kit trasformazione gas propano
2.0	18/05/2016	E00120160296 : aggiunta rubinetteria
3.0	25/11/2016	E00120160592 : aggiunti contromontanti
4.0	14/12/2016	E00120160684 : staffa posteriore sostegno



Vokera reserve the right to change the specifications without prior notice.
Consumers' statutory rights are not affected.