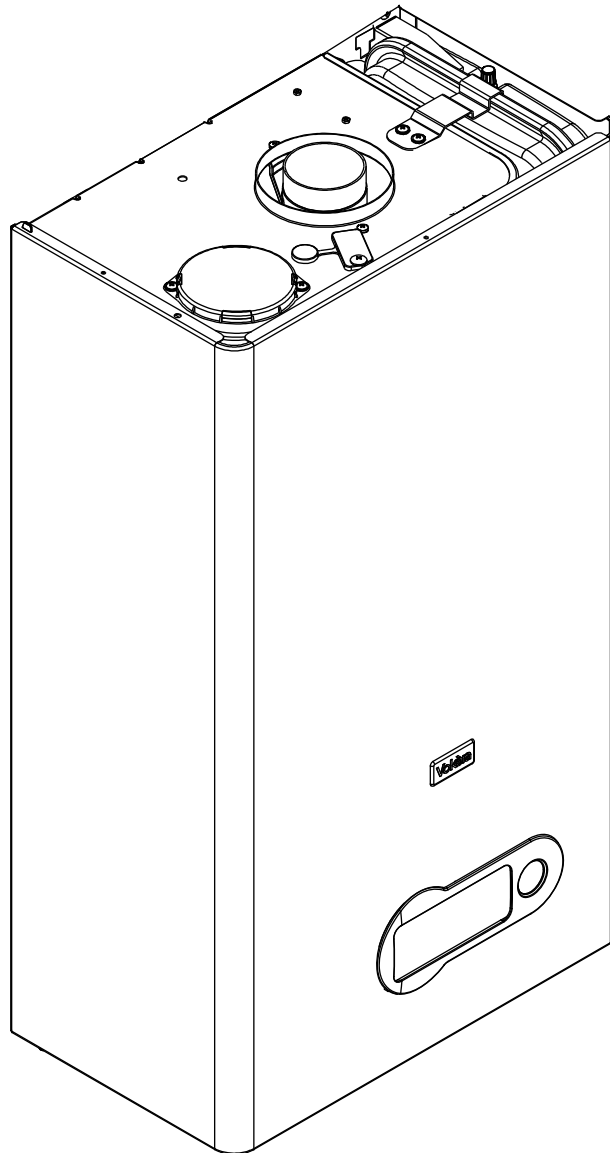
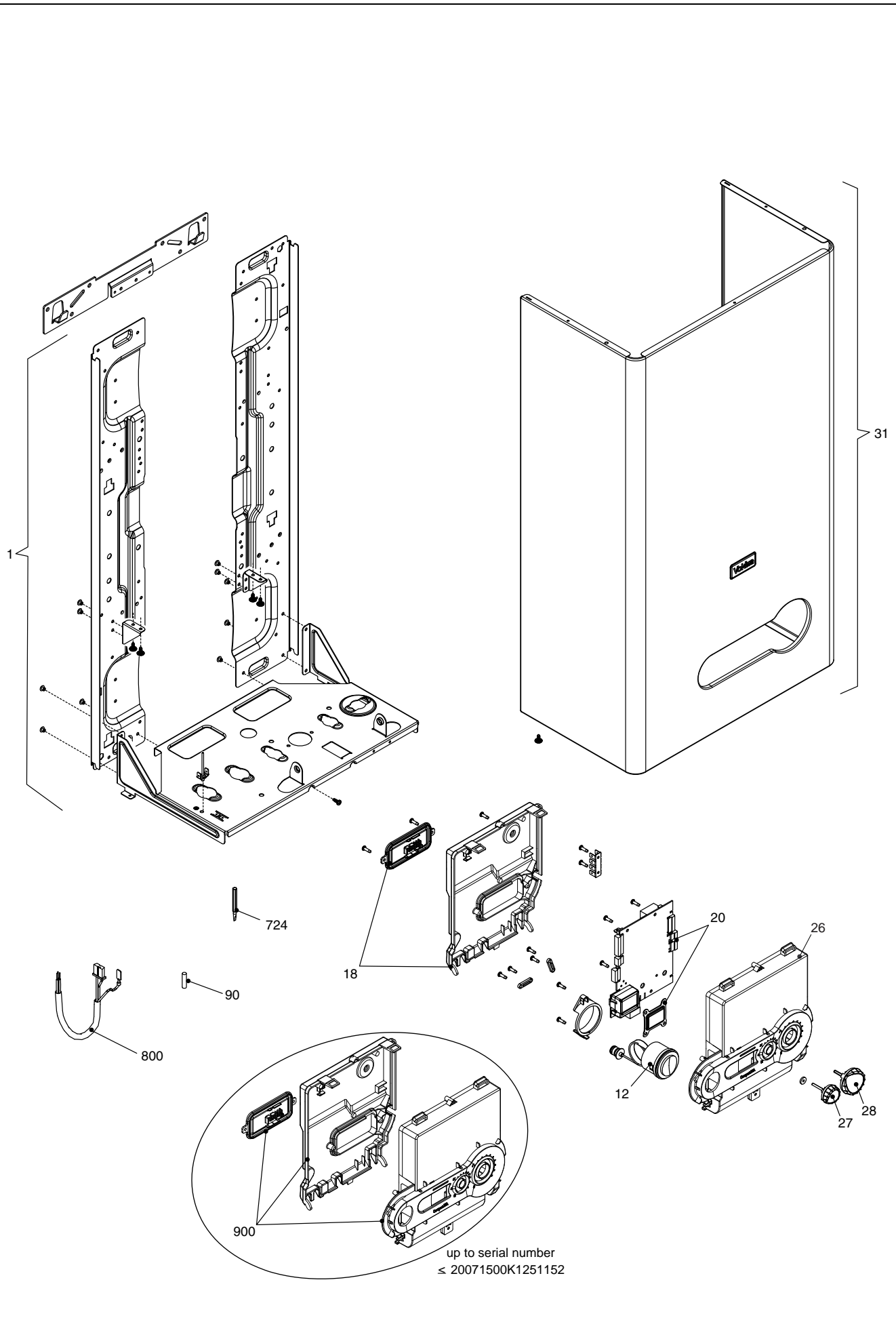


**Wall hung boilers**

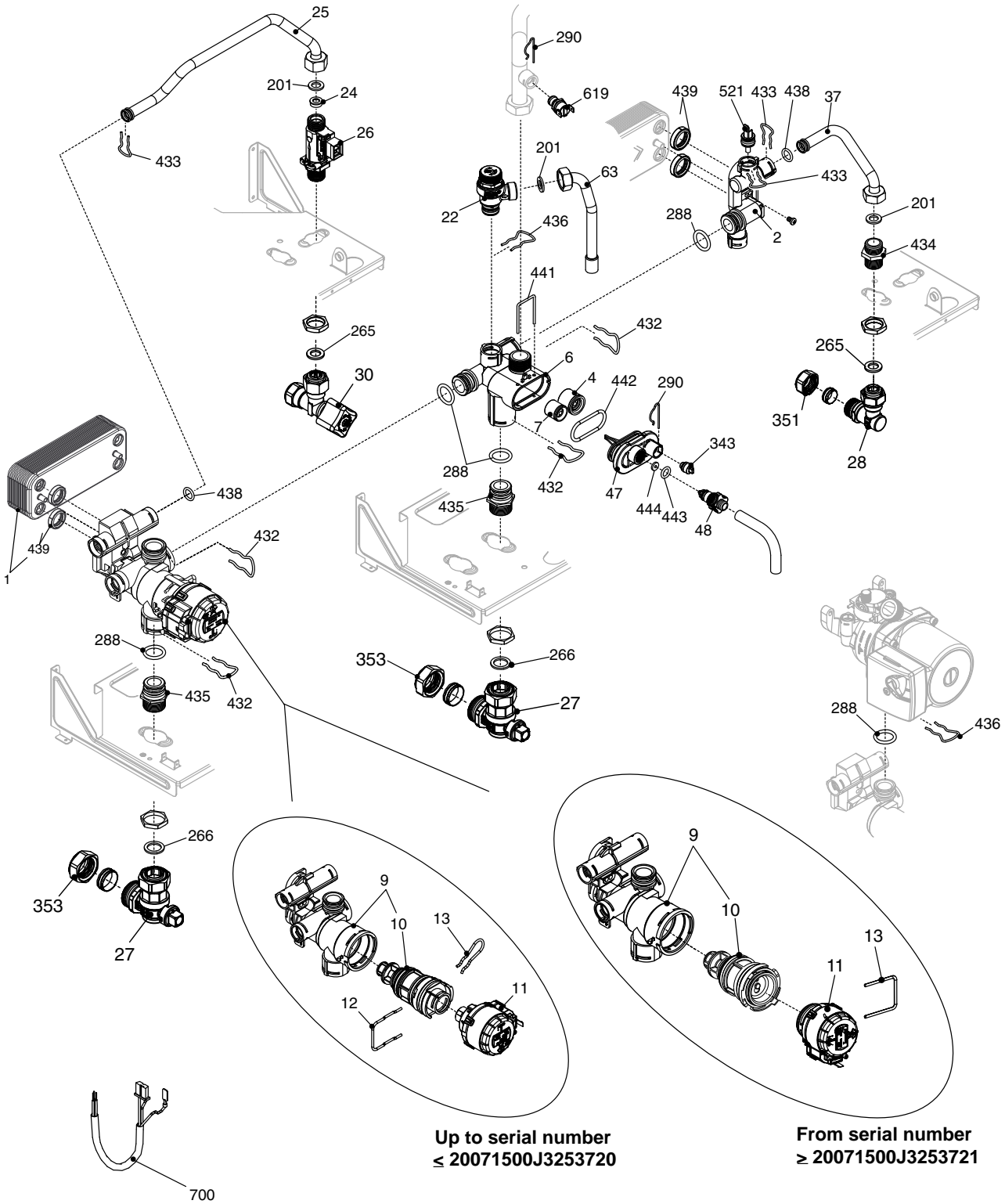
**Compact 29 A**



| MODEL       | PART NUMBER |     |
|-------------|-------------|-----|
|             | MTN         | GPL |
| Compact 29A | 20071500    | -   |



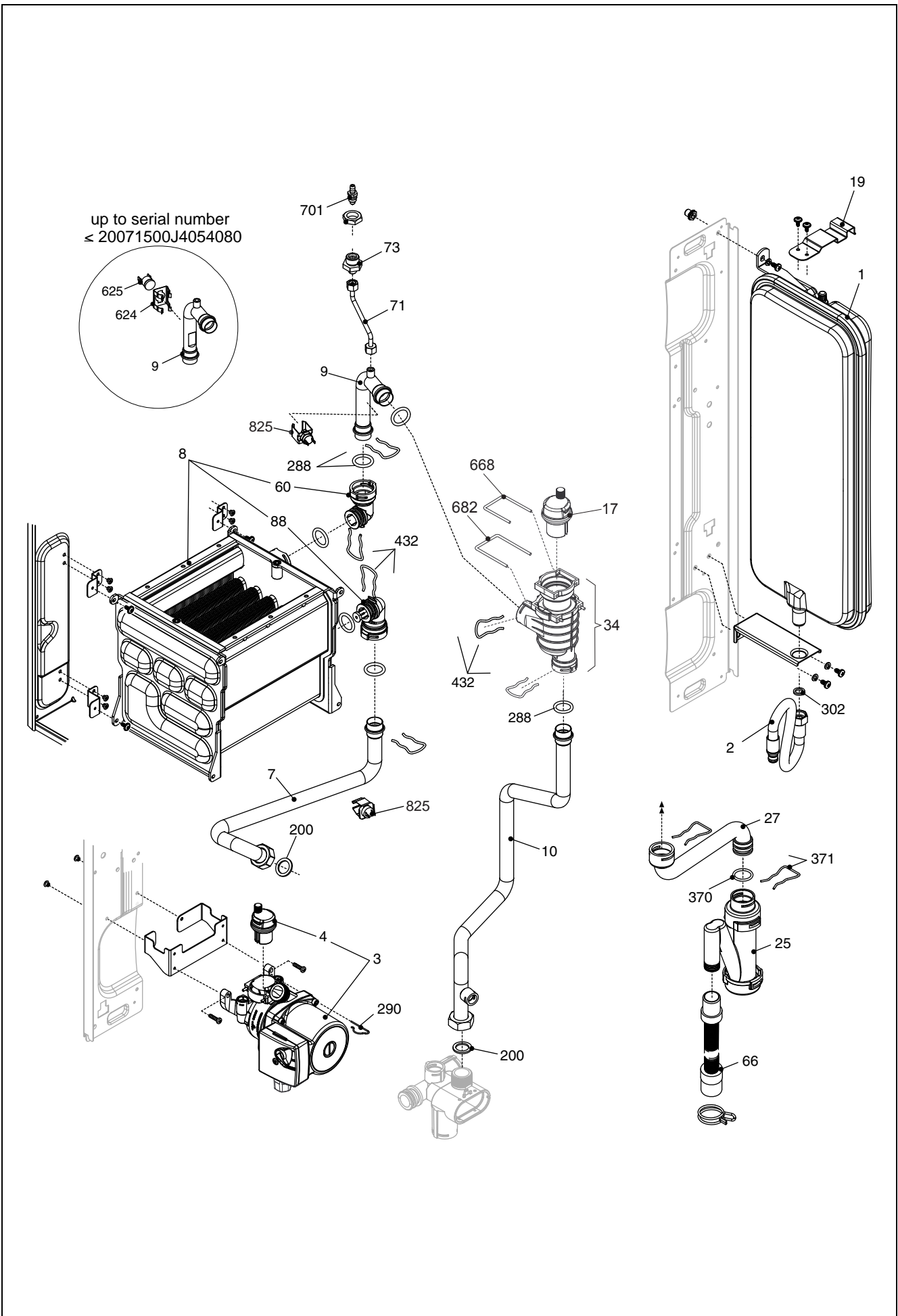
| POS. | DESCRIPTION  | 29A      |
|------|--|----------|
| 1    | Frame assembly   | 20049618 |
| 12   | Pressure gauge   | 20042115 |
| 18   | Control panel cover (from serial n.≥ 20071500K1251153)           | 20101178 |
| 20   | Printed circuit board  | 20071334 |
| 26   | Instrumental panel (from serial n.≥ 20071500K1251153)            | 20101183 |
| 27   | Knob   | 20057330 |
| 28   | Knob   | 20059926 |
| 31   | Case Assembly  | 20073523 |
| 90   | Fuse   | R3478    |
| 724  | Calibration screwdriver  | R2455    |
| 800  | Cable  | R1547    |
| 800  | Power wiring harness   | 20035405 |
| 800  | Low tension cable  | 20025734 |
| 900  | Instrumental panel and cover (up to serial n.≤ 20071500K1251152) | 20101184 |



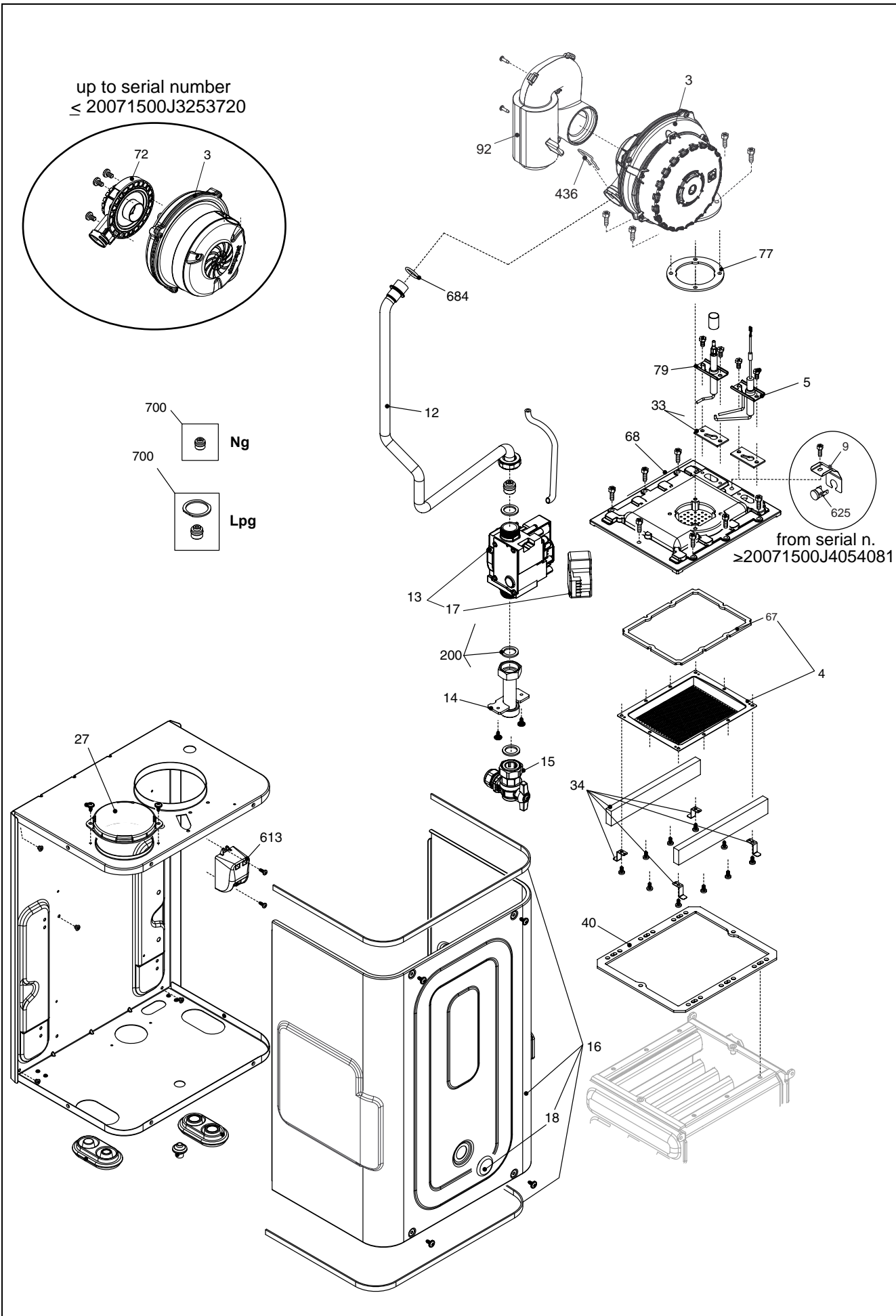
Up to serial number  
 ≤ 20071500J3253720

From serial number  
 ≥ 20071500J3253721

| POS. | DESCRIPTION  | 29A       |
|------|--|-----------|
| 1    | Exchanger  | R8037     |
| 2    | Connection   | R10030114 |
| 4    | Non return valve   | R10025056 |
| 6    | By-pass casing   | R10024641 |
| 7    | By-pass valve  | R1552     |
| 9    | 3-way heating manif.+cartridge (up to serial n.≤ 20071500J3253720) | R10026508 |
| 9    | 3-way heating manif.+cartridge (from serial n.≥ 20071500J3253721)  | 20021496  |
| 10   | 3 way valve cartridge (up to serial n.≤ 20071500J3253720)          | R10025305 |
| 10   | Cartridge (from serial n.≥ 20071500J3253721)                       | 20043594  |
| 11   | Actuator (up to serial n.≤ 20071500J3253720)                       | 20024841  |
| 11   | Actuator (from serial n.≥ 20071500J3253721)                        | 20017594  |
| 12   | Clip (up to serial n.≤ 20071500J3253720)                           | R10025450 |
| 13   | Clip (up to serial n.≤ 20071500J3253720)                           | R10025449 |
| 13   | Clip (from serial n.≥ 20071500J3253721)                            | 20017598  |
| 22   | Safety valve   | 20043820  |
| 24   | Flow governor  | R10024987 |
| 25   | Pipe   | 20011423  |
| 26   | Dhw actuator   | 20073700  |
| 27   | Heating cock   | R1789     |
| 28   | Connection   | R1790     |
| 29   | Pipe   | 20025756  |
| 37   | Pipe   | R10025840 |
| 47   | Cover for by-pass assembly   | R10024643 |
| 48   | Cock   | R10024646 |
| 63   | Pipe   | 20025755  |
| 201  | Washer   | R5026     |
| 265  | Washer   | R5236     |
| 266  | Washer   | R5237     |
| 288  | Ring   | R6898     |
| 290  | Clip   | R2165     |
| 343  | Pump plug  | R2216     |
| 351  | Nut  | R1823     |
| 353  | Nut  | R1824     |
| 432  | Clip   | R10024958 |
| 433  | Clip   | R10024986 |
| 434  | Nipple   | R10024985 |
| 435  | Fitting/union  | R10025059 |
| 436  | Clip   | R10025062 |
| 438  | O ring   | R10024988 |
| 439  | Washer   | R10025067 |
| 441  | Clip   | R10025063 |
| 442  | O ring   | R10025065 |
| 443  | O ring   | R10025064 |
| 444  | Washer   | R10025066 |
| 521  | NTC sensor   | R10027351 |
| 619  | Pressure   | 20003181  |
| 700  | Hydraulic control cable  | 20017596  |

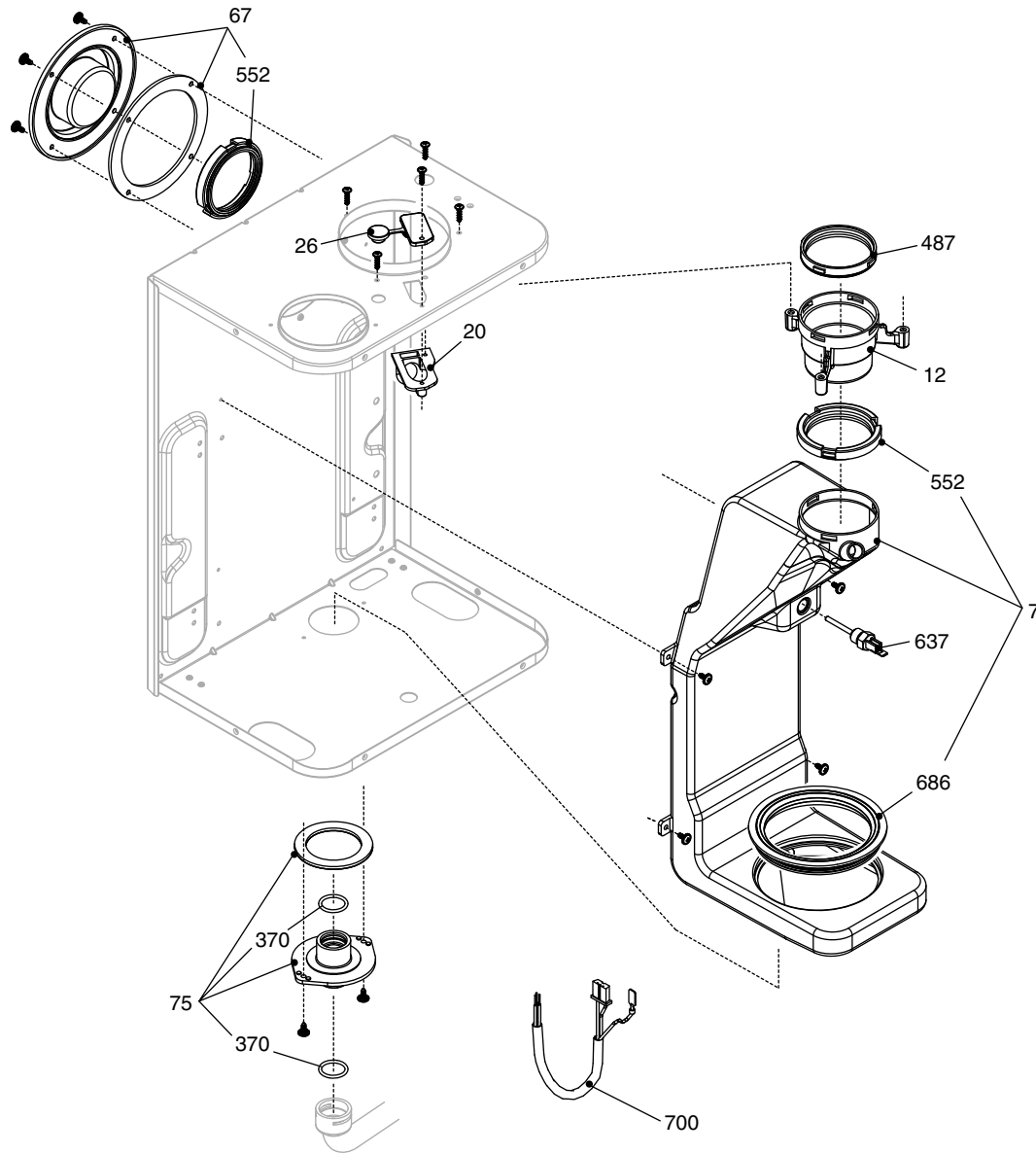


| POS. | DESCRIPTION   | 29A       |
|------|---|-----------|
| 1    | Expansion vessel  | 20029826  |
| 2    | Pipe  | R10028603 |
| 3    | Pump Kit  | 20039926  |
| 4    | Air vent bottle   | R10025485 |
| 7    | Pipe  | 20025763  |
| 8    | Condensing exchanger assembly                             | 20039924  |
| 9    | Pipe (up to serial n.≤ 20071500J4054080)                  | 20025764  |
| 9    | Pipe (from serial n.≥ 20071500J5054081)                   | 20090680  |
| 10   | Pipe  | 20025744  |
| 17   | Air vent valve  | 20019768  |
| 19   | expansion vessel bracket                                  | 20125261  |
| 25   | Siphon  | 20025733  |
| 27   | Condensation outlet tube kit                              | 20025743  |
| 34   | Degasser kit  | 20032553  |
| 60   | Connection  | 20039953  |
| 66   | Flexible pipe   | R10027545 |
| 71   | Pipe  | 20025746  |
| 73   | Cock  | R10028431 |
| 88   | Connection  | 20039954  |
| 200  | Washer  | R5023     |
| 288  | O ring  | R6898     |
| 290  | Clip  | R2165     |
| 302  | Washer  | R5025     |
| 370  | O ring  | R10023533 |
| 371  | Clip  | R10023532 |
| 432  | Clip  | R10024958 |
| 624  | Clip (up to serial n.≤ 20071500J4054080)                  | R5472     |
| 625  | High limit thermostat (up to serial n.≤ 20071500J4054080) | 20005585  |
| 668  | Clip  | 20019767  |
| 682  | Clip  | 20120828  |
| 701  | Vent plug   | R10023235 |
| 825  | NTC Detector  | 20078350  |





| POS. | DESCRIPTION  | 29A       |
|------|--|-----------|
| 3    | Fan (up to serial n.≤ 20071500J3253720)                  | 20002995  |
| 3    | Integrated fan (from serial n.≥ 20071500J3253721)        | 20081318  |
| 4    | Burner   | 20055216  |
| 5    | Spark ignition electrode                                 | 20025737  |
| 9    | Clip (from serial n.≥ 20071500J5054081)                  | 20093799  |
| 12   | Pipe   | 20025745  |
| 13   | Gas valve  | 20039202  |
| 14   | Gas pipe   | 20005553  |
| 15   | 3/4" gas cock  | R10020897 |
| 16   | Combustion chamber cover                                 | 20005594  |
| 17   | Gas valve solenoid                                       | 20040675  |
| 18   | Plug   | 20005550  |
| 27   | Hole cover   | 20005586  |
| 33   | Electrode seal   | 20025740  |
| 34   | Protection   | 20046270  |
| 40   | Heat exchanger seal (29kw)                               | 20046265  |
| 67   | Burner seal (29kw)                                       | 20116625  |
| 68   | Cover  | 20046266  |
| 72   | Mixer (up to serial n.≤ 20071500J3253720)                | 20026083  |
| 77   | Washer   | 20025753  |
| 79   | Flame sensor electrode                                   | 20043523  |
| 92   | Silencer   | 20025760  |
| 200  | Washer   | R5023     |
| 436  | Clip   | R10025062 |
| 613  | Ignition transformer                                     | 20001563  |
| 625  | High limit thermostat (from serial n.≥ 20071500J5054081) | 20005585  |
| 680  | Washer   | 20024869  |
| 700  | Ng conversion kit  | 20057751  |
| 700  | LPG conversion kit                                       | 20029055  |



| POS. | DESCRIPTION           | 29A       |
|------|-----------------------|-----------|
| 7    | Conveyor              | 20055453  |
| 12   | Flue drain connection | R10028421 |
| 20   | Outlet nut            | 20026049  |
| 26   | Plug                  | 20026058  |
| 67   | Drain plug            | 20000118  |
| 75   | Flue clector          | 20026056  |
| 370  | O ring                | R10023533 |
| 487  | Washer Ø 60           | R10026345 |
| 552  | Washer Ø 60           | R10028426 |
| 637  | Flue sensor           | 20007050  |
| 686  | Washer                | 20026059  |
| 700  | Combustion cable      | 20025736  |

| <b>Rev.</b> | <b>Data</b> | <b>Descrizione</b>   |
|-------------|-------------|--|
| 1.0         | 16/07/2013  | E00120130573 :aggiornamento collegamento idraulici   |
| 2.0         | 21/11/2013  | Aggiunte trasformazioni gas  |
| 3.0         | 03/09/2014  | E00120130840 : ventilatore integrato (con gestione matricola)<br>E00120140336 : valvola tre vie (con gestione matricola) |
| 4.0         | 23/10/2014  | E00120140454 : posizione termostato (con gestione matricole)   |
| 5.0         | 26/03/2015  | E00120140884 : cruscotto , copertura parti elettriche (con gestione matricole)   |
| 6.0         | 23/11/2015  | E00120150290 : tappo degas. 2 fori - E00120150787 : diaframma , kit trasformazioni                                       |
| 7.0         | 15/06/2016  | Aggiunta molletta fissaggio tappo degasatore<br>Aggiunta guarnizione bruciatore - Corretto disegno scatola aria          |
| 8.0         | 06/12/2016  | Corrette trasformazioni gas rif.E00120150787 - aggiunta staffa fiss.vaso esp.  |




---

Vokera reserve the right to change the specifications without prior notice.  
Consumers' statutory rights are not affected.