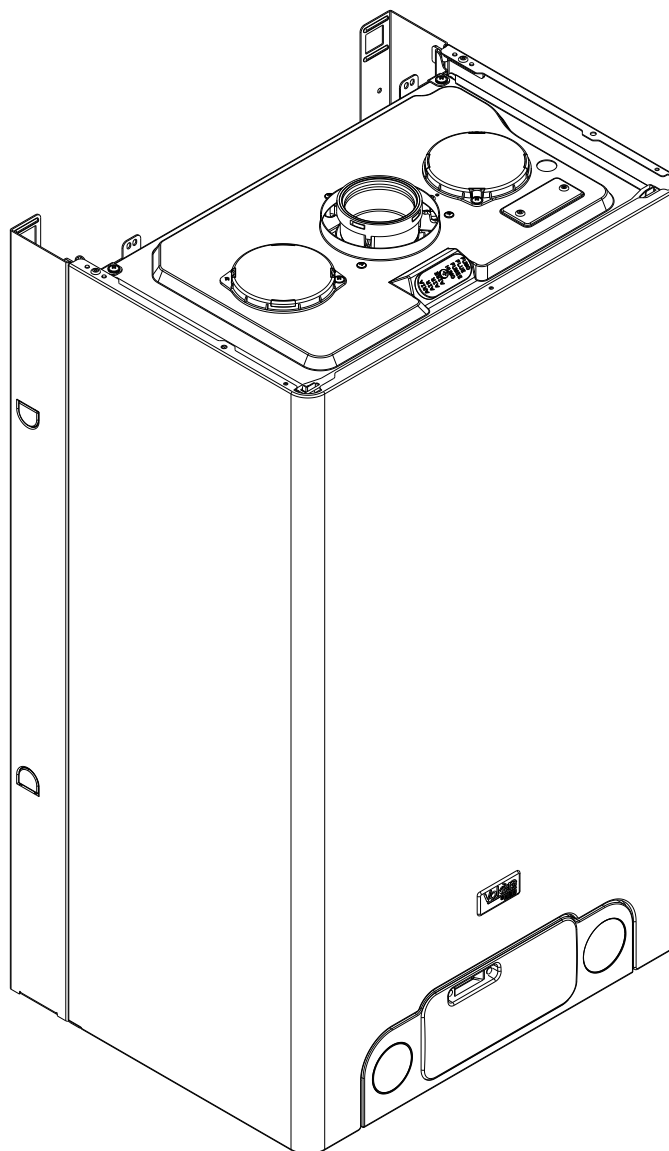
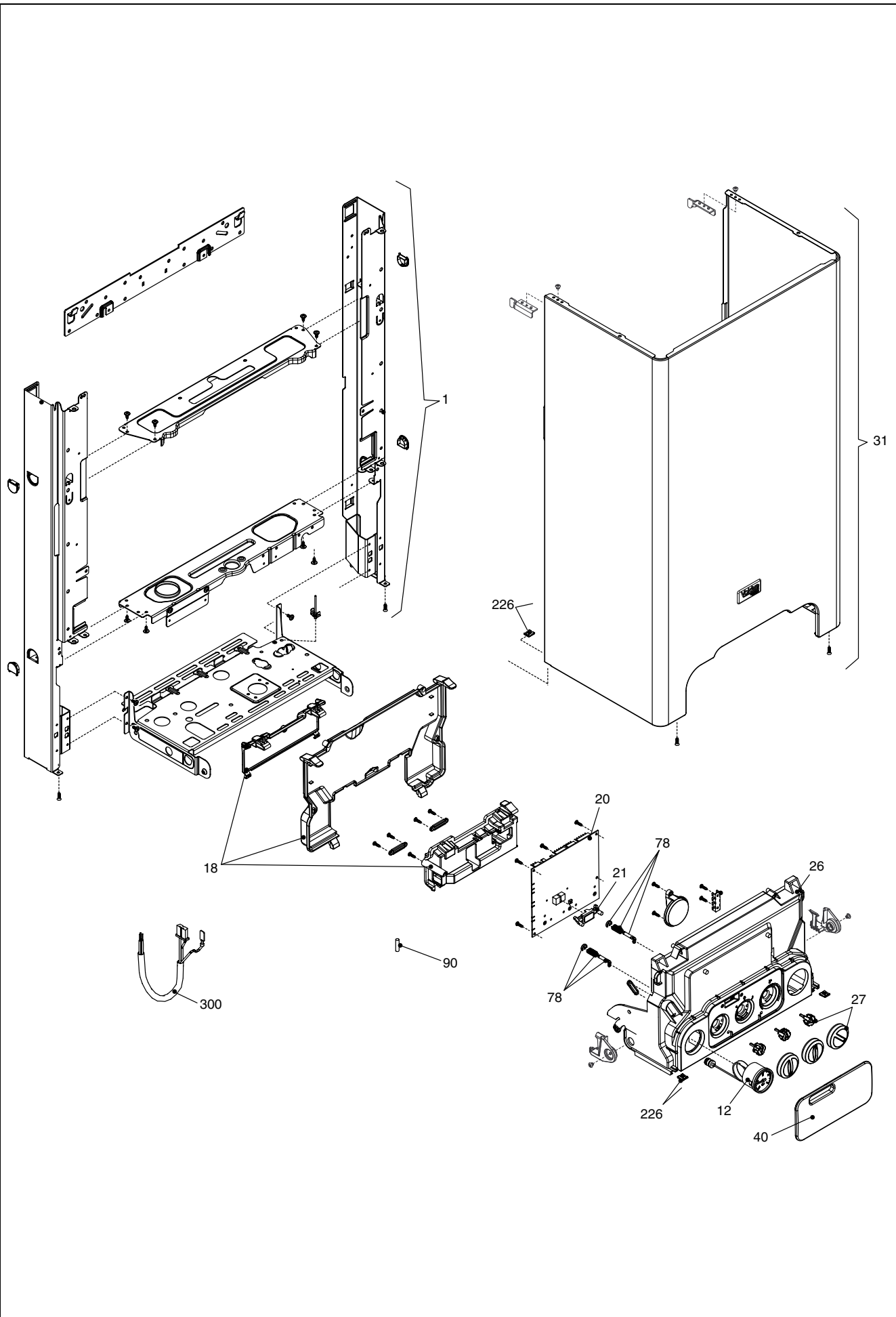


Wall hung boilers

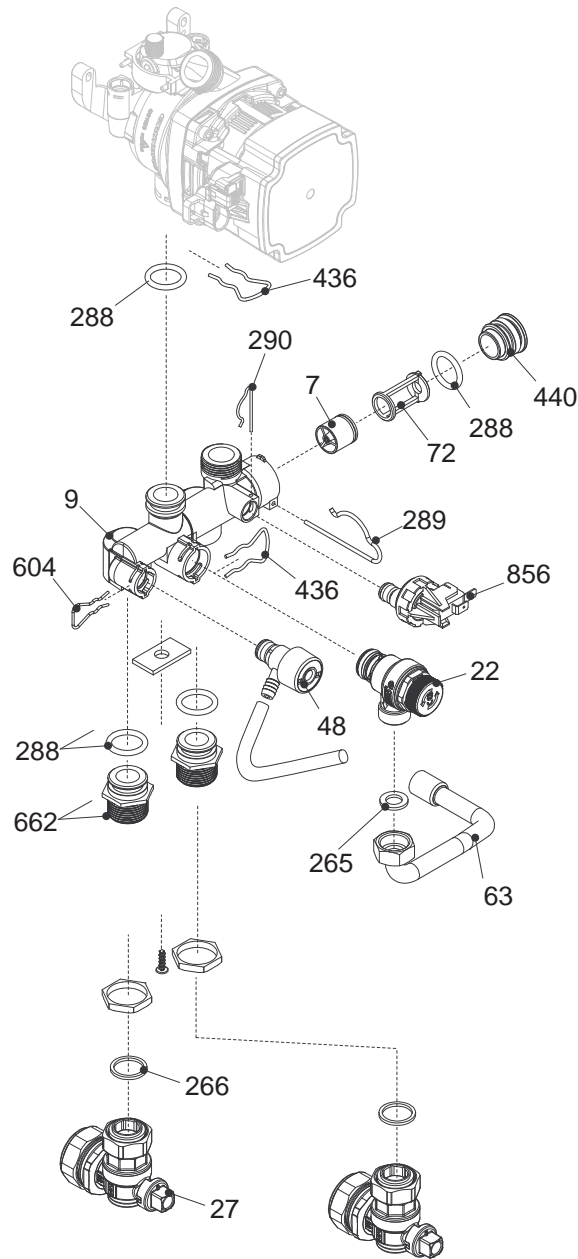
Mynute HE



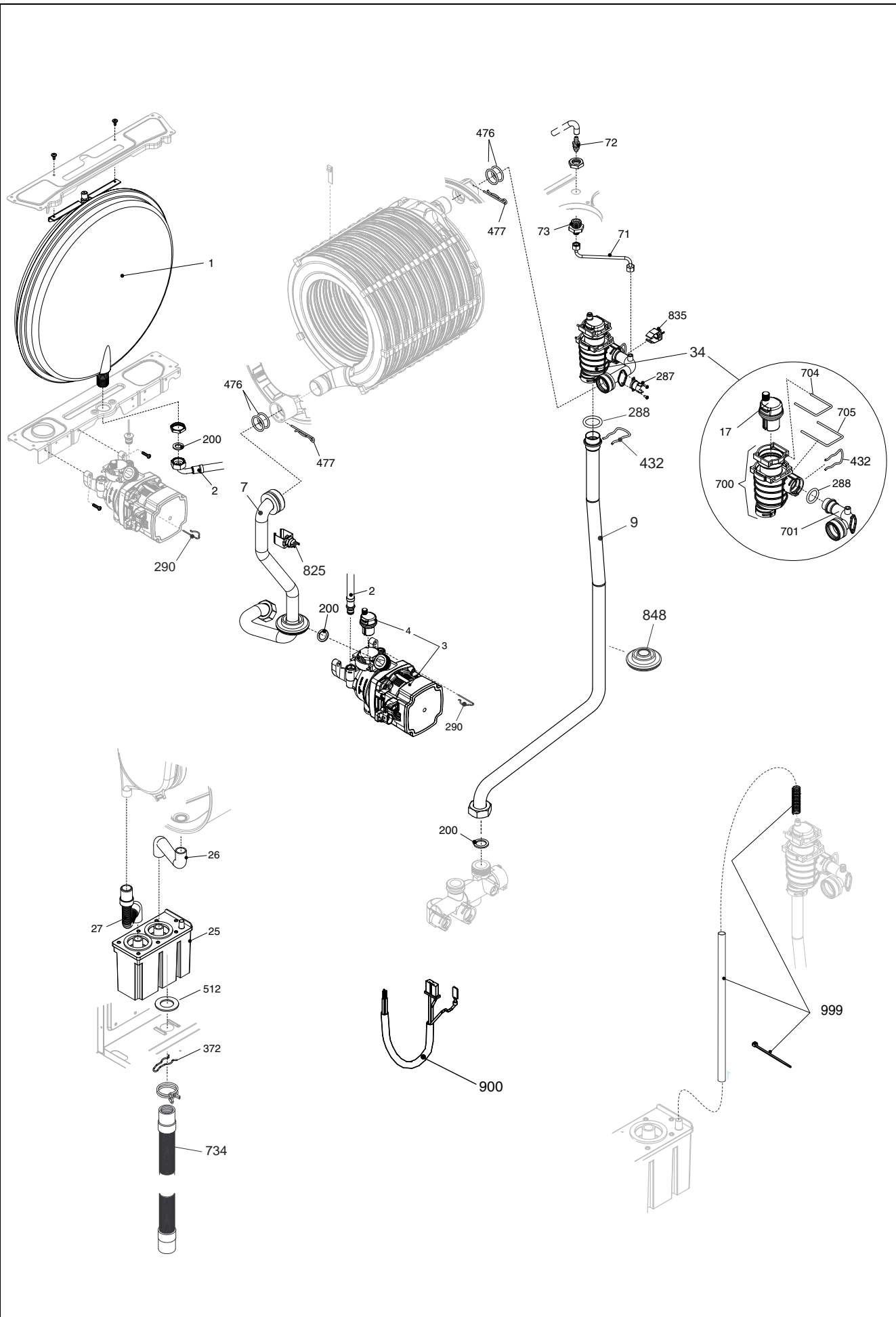
MODEL	PART NUMBER	
	MTN	GPL
Mynute 35 HE	20100517	-



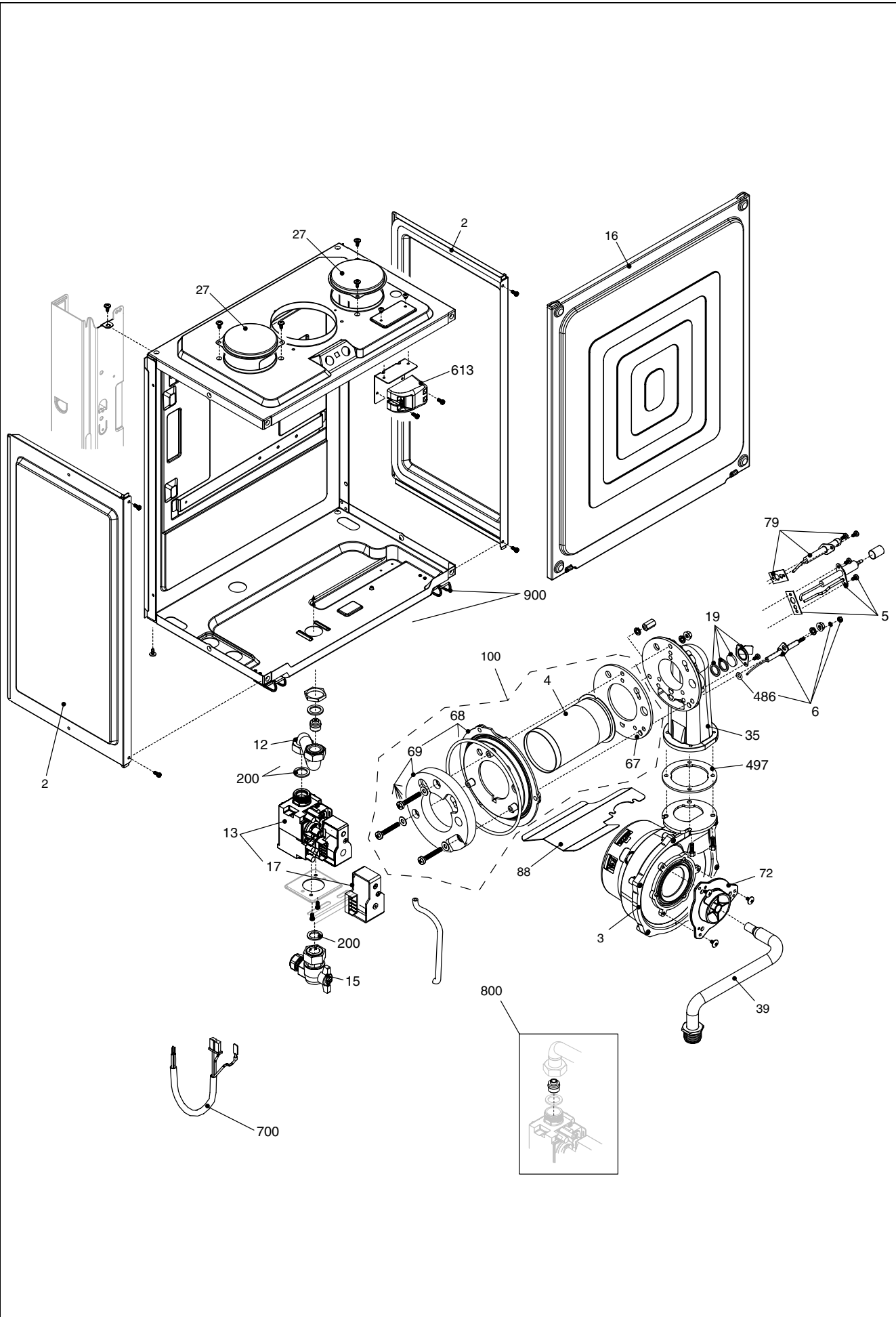
POS.	DESCRIPTION	35he
1	Frame assembly	20107148
12	Pressure gauge	R2564
18	Cover assembly	R10028554
20	Printed circuit board	20008307
21	Led light guide	R10028557
26	Instrumental panel	20107154
27	Knob assembly	R10028559
31	Case assembly	20019250
40	Door panel	R10030136
78	Control panel hinge	R01005442
90	Fuse	R3478
226	Clip	R5128
300	Wiring harness	R10028593
300	Power wiring harness	R10028596
300	Low tension cable	R10028598



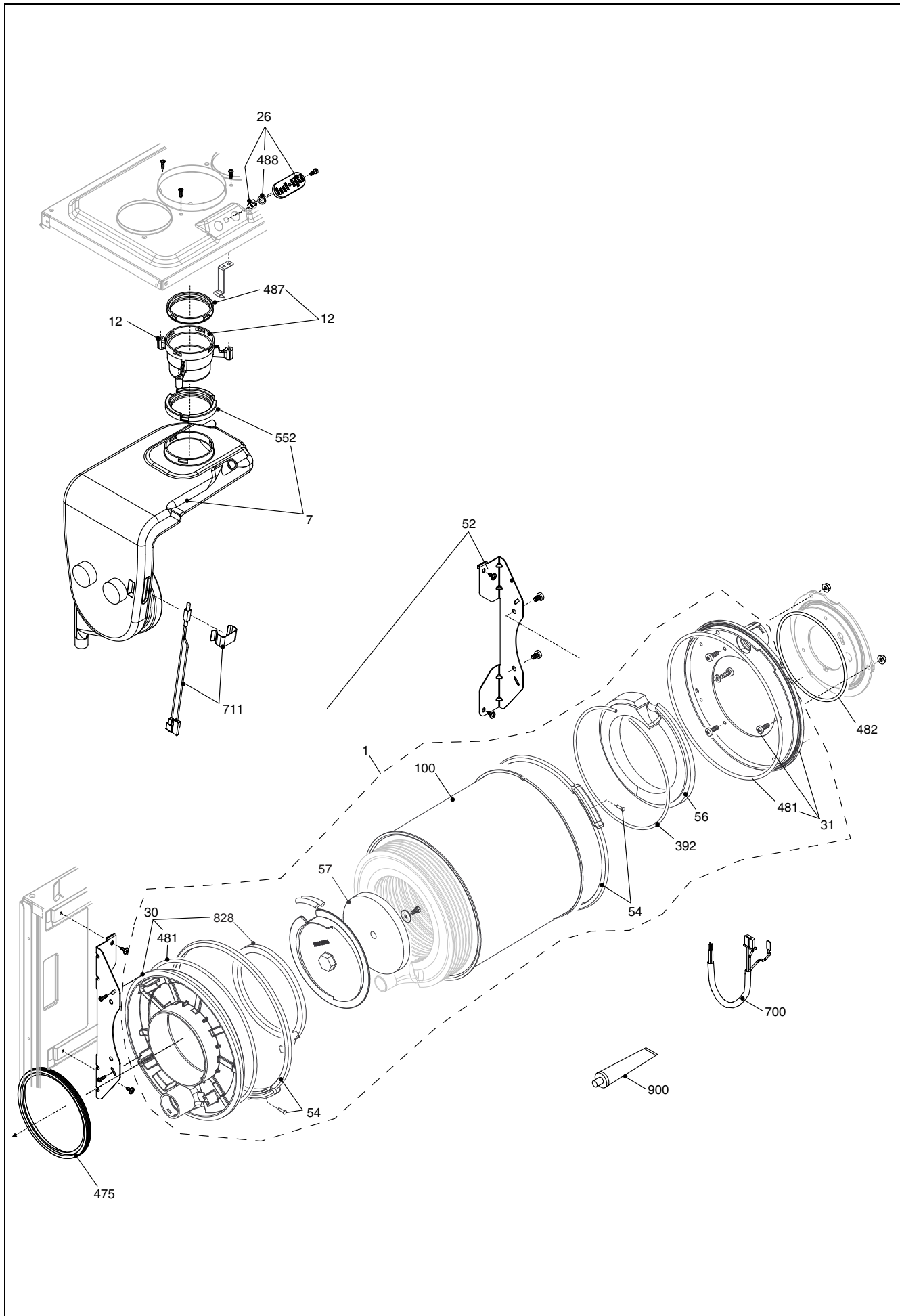
POS.	DESCRIPTION	35he
7	By-pass valve	R1552
9	Heating distrib.	20005568
22	Safety valve	20043820
27	Heat water cock	R10029757
48	Cock	20000533
63	Pipe	20035609
72	by-pass valve support	20068965
265	Washer	R5236
266	Washer	R5237
288	Ring	R6898
289	Clip	R2223
290	Clip	R2165
436	Clip	R10025062
440	Automatic by-pass plug	R10024645
604	Clip	20000539
662	Connection	20014074
856	Low pressure switch	20046560



POS.	DESCRIPTION	35he
1	Expansion vessel	R2573
2	Pipe	R10023603
3	Pump	20099105
4	Air vent bottle	R10025485
7	Pipe	20107144
9	Pipe	20107145
17	Air vent valve	20019768
25	Condensate reservoir	R10028405
26	Condensation outlet tube	20061391
27	Flexible pipe	R10027192
34	Kit degasser + tube	20101333
71	Pipe	20020178
72	Vent plug	R10023235
73	Cock	R10028431
200	Washer	R5023
201	Washer	R5026
287	High limit	R2258
288	O ring	R6898
290	Clip	R2165
372	Clip	R2588
432	Clip	R10024958
476	O ring	R10026324
477	Split pin	R10026269
512	Washer	R10027193
700	Degasser kit	20032553
701	Pipe	20019764
704	Clip	20019767
705	Clip	20120828
734	Flexible pipe	R10026272
825	NTC Detector	20078350
848	Fairlead	20099541
900	Pump cable	20107142
999	Degasser connection assembly	20096202



POS.	DESCRIPTION	35he
2	Air chamber side	R10026231
3	Fan	R10028456
4	Burner	20093506
5	Igniter	R10027864
6	Condense electrode	R10026316
12	Gas pipe	R10028629
13	Gas valve	20039202
14	Gas valve solenoid	20040675
15	3/4" gas cock	R10020897
16	Air chamber access panel	R10026230
19	Glass flange assembly	R10029823
27	Hole cover	20005586
35	Air/gas manifold	R10028420
39	Pipe	R10028206
67	Washer	R10026322
68	Flange + insulation panel	20046835
69	Insulation panel	20046836
72	Mixer	20015932
79	Flame sensor	R10028422
88	Blower heat shield	20006411
100	Burner assembly	R10028537
200	Washer	R5023
486	O ring	R10026325
497	Washer	R10026796
613	Ignition transformer	20001563
700	Spark electrode cable	R10026558
700	Ignition cable	20001681
700	Gas valve cable	R10028599
800	Ng conversion kit	R01005466
800	LPG conversion kit	R01005448
900	Clips	20061168



POS.	DESCRIPTION	35he
1	Condensing exchanger assembly	R01005369
7	Conveyor	20007053
12	Flue drain connection	20040102
26	Cap smoke analysis	20089999
30	Flange assembly	20101331
31	Burner flange	20047807
52	Bracket assembly	20101332
54	Ring closing	20047811
56	Insulation panel	20047812
57	Tryton retarder	20036537
100	Container exchanger	20048271
392	Washer	20047819
475	Outlet heat exch.seal gasket	R10026323
481	Washer	20047802
482	Inlet heat exch.seal gasket	R10026366
487	Washer Ø 60	R10026345
488	O ring	R10026494
552	Washer Ø 60	R10028426
700	Combustion cable	R10028601
711	High limit	20001564
828	Washer	20095796
900	Tube sealant	20047820

Rev.	Data	Descrizione
1.0	17/09/2015	Aggiunte trasformazioni gas
2.0	20/02/2017	E00120170040 : Nuovo Brand Vokera by Riello – Aggiunta molletta tappo degasatore Aggiornata vista assonometrica caldaia della copertina



Vokera reserve the right to change the specifications without prior notice.
Consumers' statutory rights are not affected.