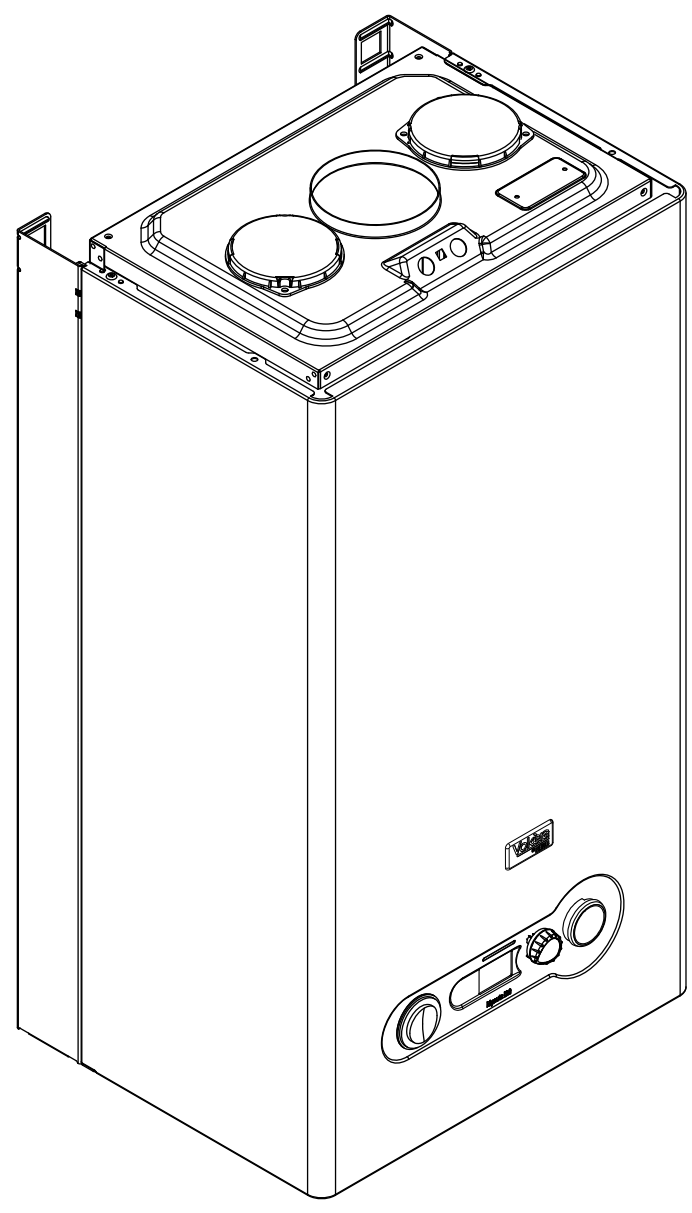
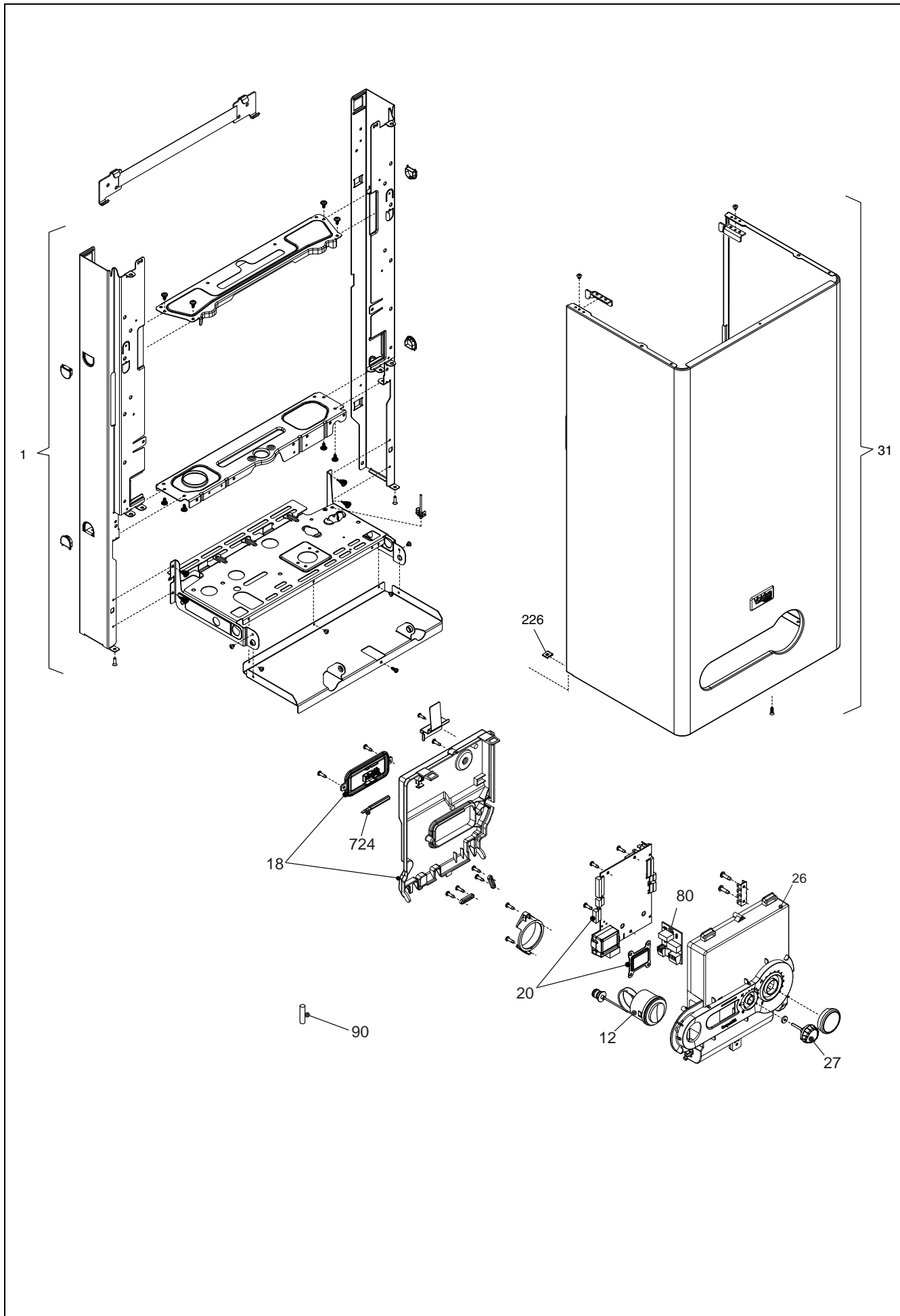


Wall hung boilers

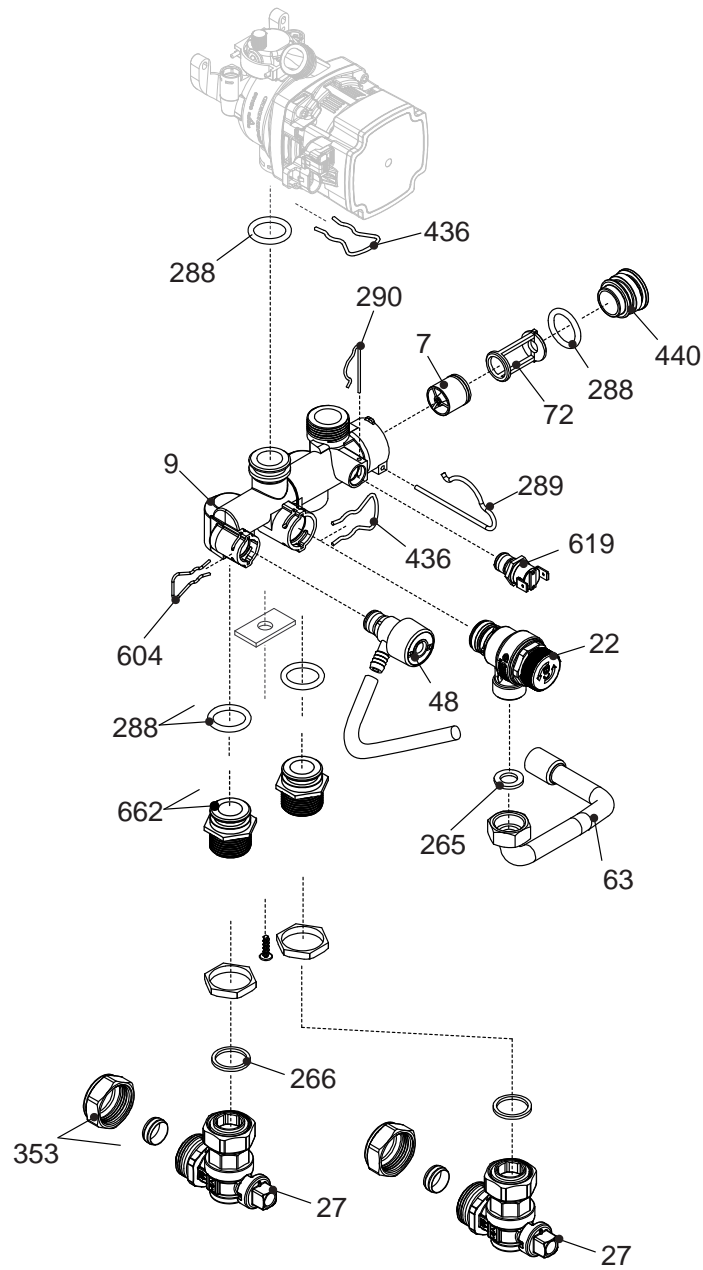
Mynute i30



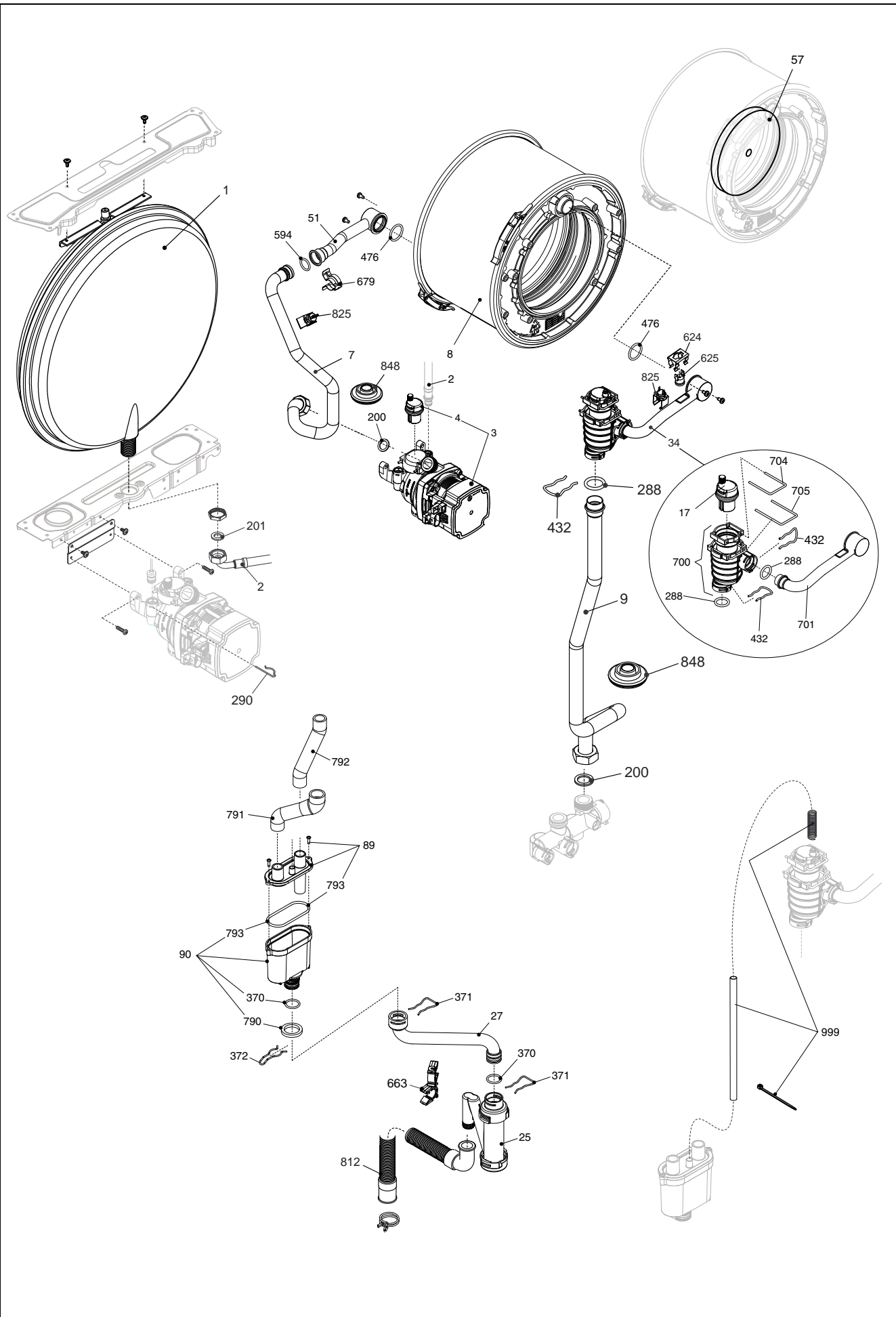
MODEL	PART NUMBER	
	MTN	GPL
Mynute i30	20101256	-



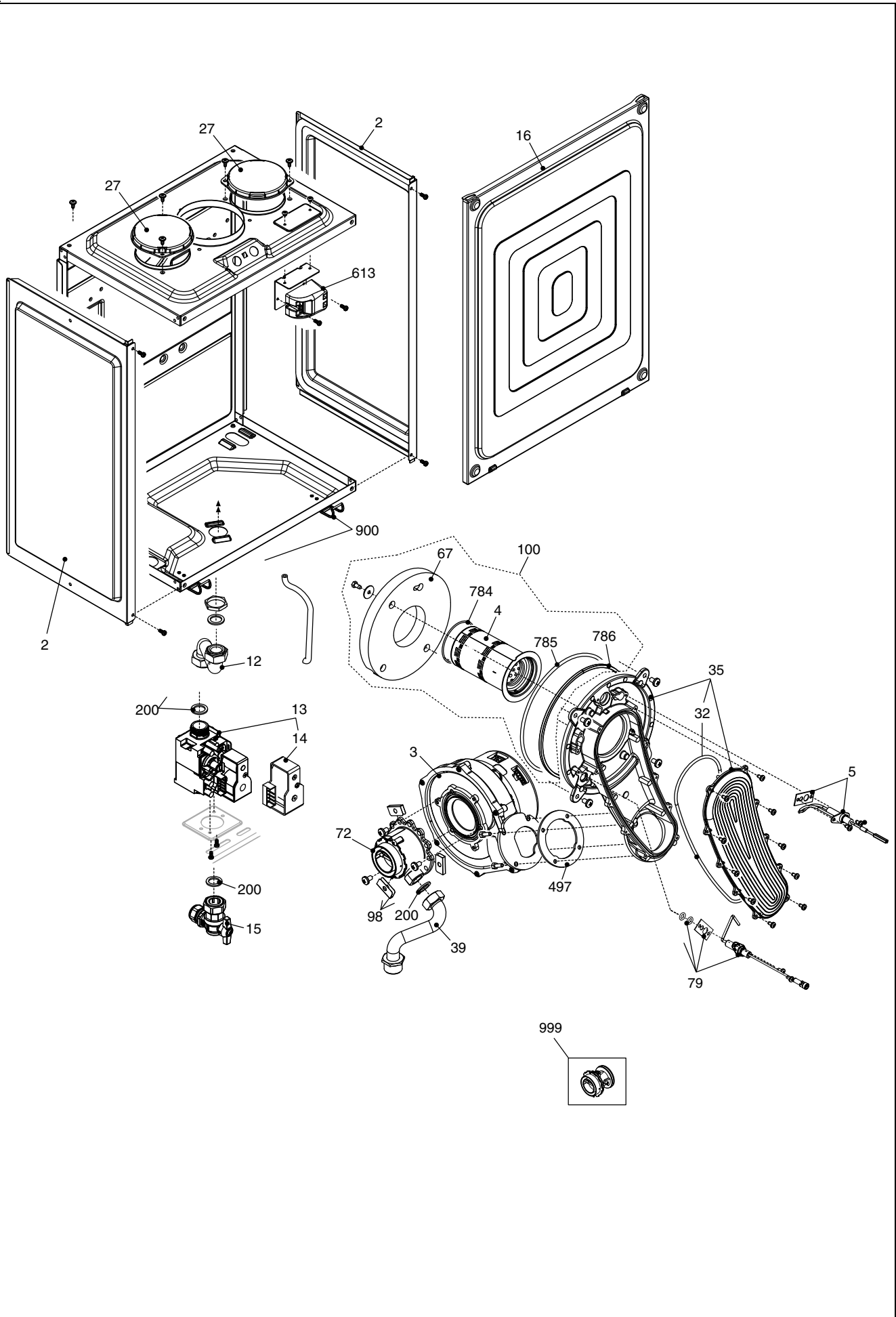
POS.	DESCRIPTION	i30
1	Frame assembly	20079833
12	Pressure gauge	20042115
18	Control panel cover	20101178
20	Printed circuit board	20071334
26	Instrument panel	20101188
27	Knob	20057330
31	Case Assembly	20078173
80	Printed circuit board	20076436
90	Fuse	R3478
226	Clip	R5128
724	Calibration screwdriver	R2455



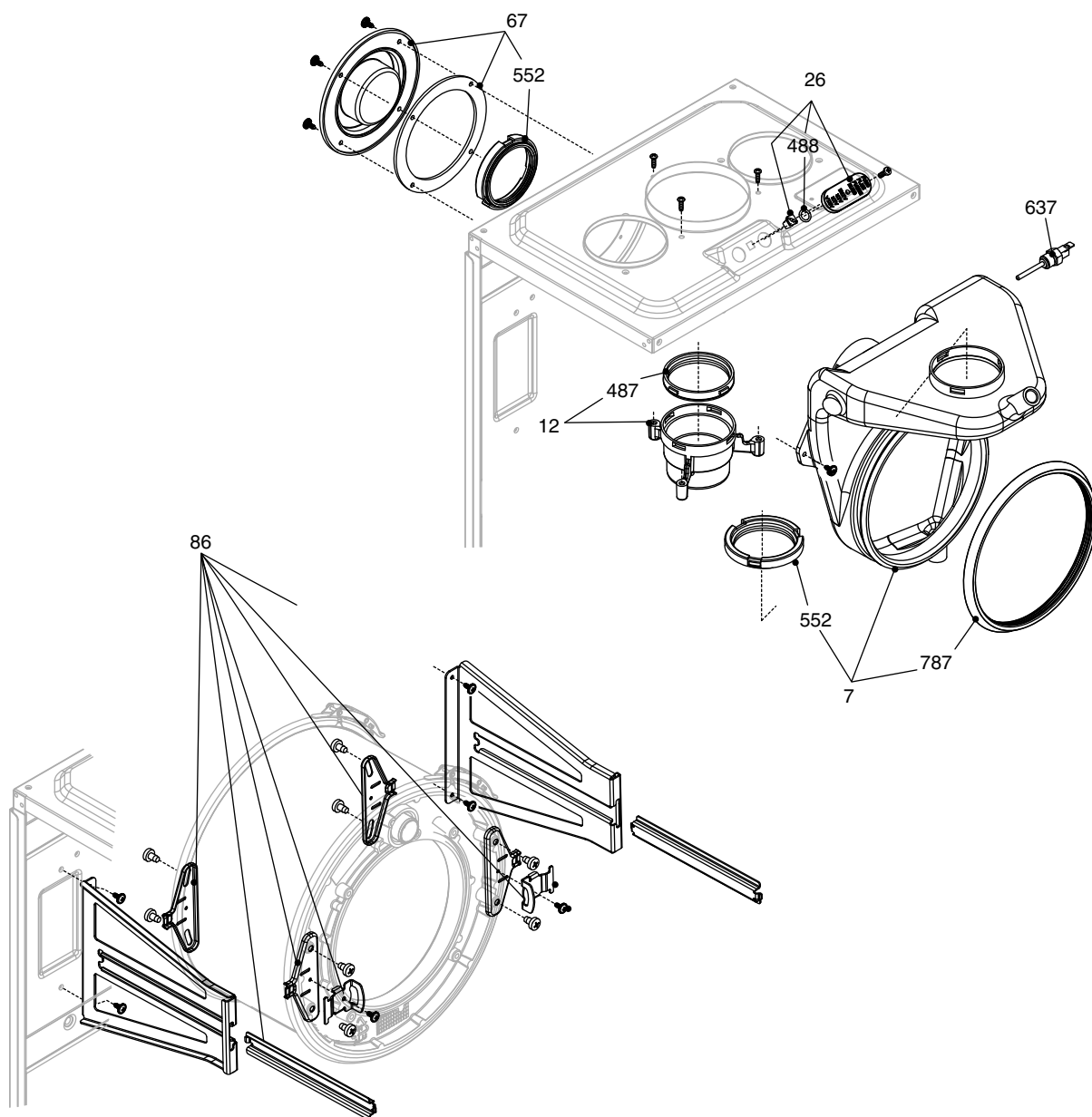
POS.	DESCRIPTION	i30
7	By-pass valve	R1552
9	Heating distrib.	20005568
22	Safety valve	20043820
27	Heating cock	R1789
48	Cock	20000533
63	Pipe	20035609
72	by-pass valve support	20068965
265	Washer	R5236
266	Washer	R5237
288	Ring	R6898
289	Clip	R2223
290	Clip	R2165
353	Nut	R1824
436	Clip	R10025062
440	Automatic by-pass plug	R10024645
604	Clip	20000539
619	Pressure	20003181
662	Connection	20014074



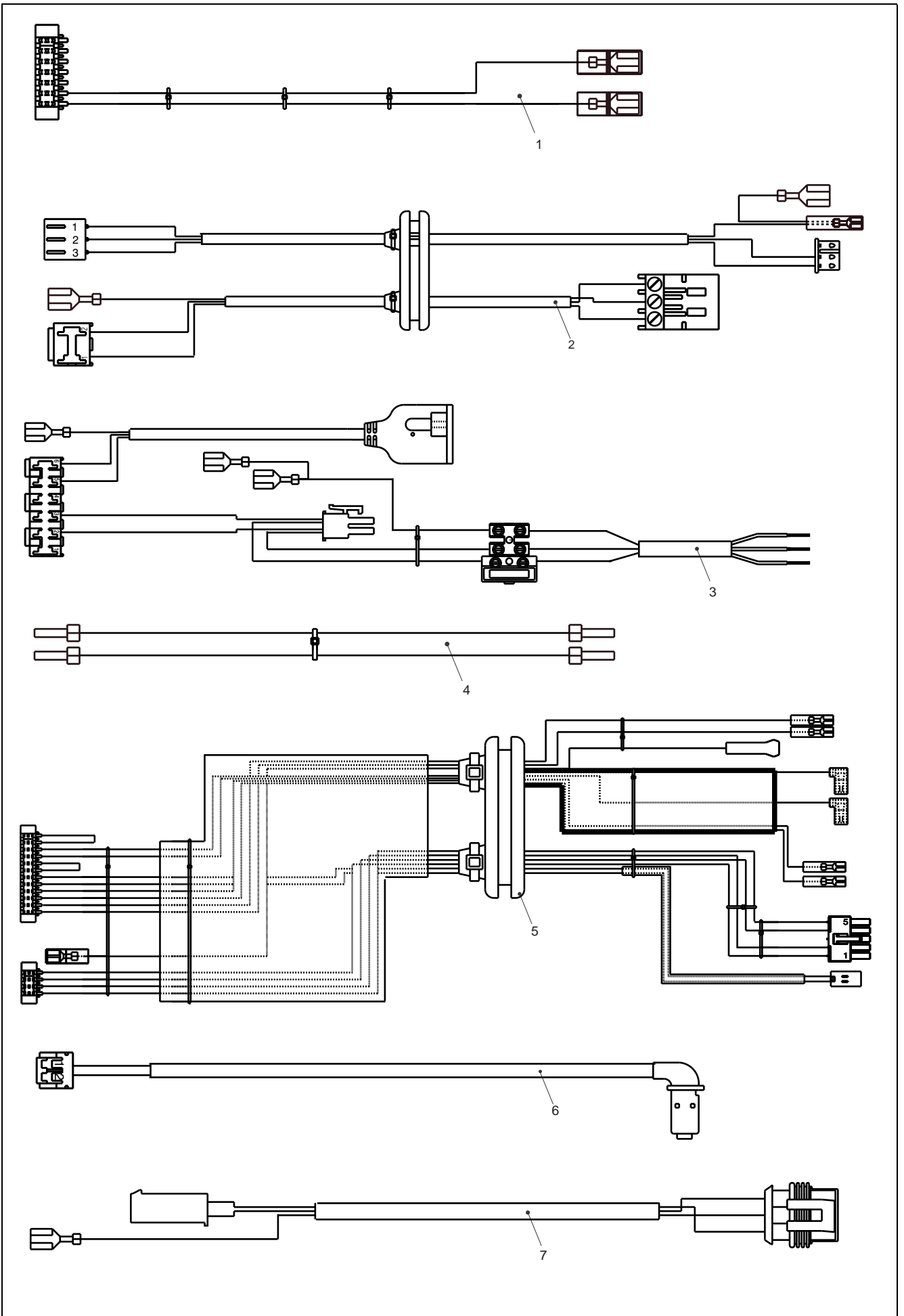
POS.	DESCRIPTION	i30
1	Expansion vessel	R2204
2	Pipe	R10025188
3	Pump	20099105
4	Air vent bottle	R10025485
7	Pipe	20104986
8	9.5 condensing exchanger	20123398
9	Pipe	20104988
17	Air vent valve	20019768
25	Siphon	20025733
27	Condensation outlet tube kit	20025743
34	Kit degasser + tube	20099548
51	Pipe	20057866
57	Retarder insulating panel	20086269
89	Siphon cover	20063464
90	Siphon	20063463
200	Washer	R5023
201	Washer	R5026
288	O ring	R6898
290	Clip	R2165
370	O ring	R10023533
371	Clip	R10023532
372	Clip	R2588
432	Clip	R10024958
476	O ring	R10026324
594	O ring	20000131
624	Clip	R5472
625	High limit thermostat	20005585
663	Cable holder	20014197
679	Clip	20024086
696	O ring	20028744
700	Degasser kit	20032553
701	Pipe	20067580
704	Clip	20019767
705	Clip	20120828
790	O-Ring	20063468
791	Condensation outlet tube	20063466
792	Condensing pipe	20063467
812	Condensation outlet tube	20076889
825	NTC Detector	20078350
848	Fairlead	20099541
999	Degasser connection assembly	20096202



POS.	DESCRIPTION	i30
2	Air chamber side	R10026231
3	Fan	20085965
4	Burner	20087319
5	Spark electrode	20119995
12	Gas pipe	R10028628
13	Gas valve	20039202
14	Gas valve solenoid	20040675
15	3/4" gas cock	R10020897
16	Air box cover	R10028345
27	Hole cover	20005586
32	Washer	20057870
35	Air/gas manifold	20057885
39	Pipe	20067585
67	Washer	20057858
72	Mixer	20087321
79	Sensing electrode	20119996
98	Spacer	20036990
100	Burner assembly	20058633
200	Washer	R5023
497	Washer	R10026796
613	Ignition transformer	20001563
784	O-Ring	20057871
785	Washer	20057878
786	Washer	20057872
900	Clips	20061168
999	Ng conversion kit	20086438
999	Lpg conversion kit	20069593



POS.	DESCRIPTION	i30
7	Conveyor	20057880
12	Flue drain connection	R10028421
26	Cap smoke analysis	20089999
67	Top flue outlet blanking cap	20057882
86	Bracket-kit	20058636
487	Washer Ø 60	R10026345
488	O ring	R10026494
552	Washer Ø 60	R10028426
637	Flue sensor	20007050
787	Washer Ø 160	20057889



POS.	DESCRIPTION	i30
1	Low tension cable	20035502
2	Ignition cable	20057874
3	Power wiring harness	20069549
4	Wiring harness	20076437
5	Wiring harness	20076890
6	Pump cable	20100812
7	Pump cable	20104984

Rev.	data	Descrizione
1.0	15/06/2015	Aggiunto pannello isolante retarder scambiatore – Aggiunte trasformazioni gas
2.0	11/04/2016	Inserita tavola per gestione disegni cablaggi elettrici – E00120160178 : elettrodi E00120150485 : pannelli fonoassorbenti – Corretto codice vaso espansione
3.0	25/10/2016	E00120160412 : scambiatore condensante – Aggiunta molletta fissaggio tappo degasat.
4.0	15/02/2017	E00120170040 : Nuovo Brand Vokera by Riello



Vokera reserve the right to change the specifications without prior notice.
Consumers' statutory rights are not affected.