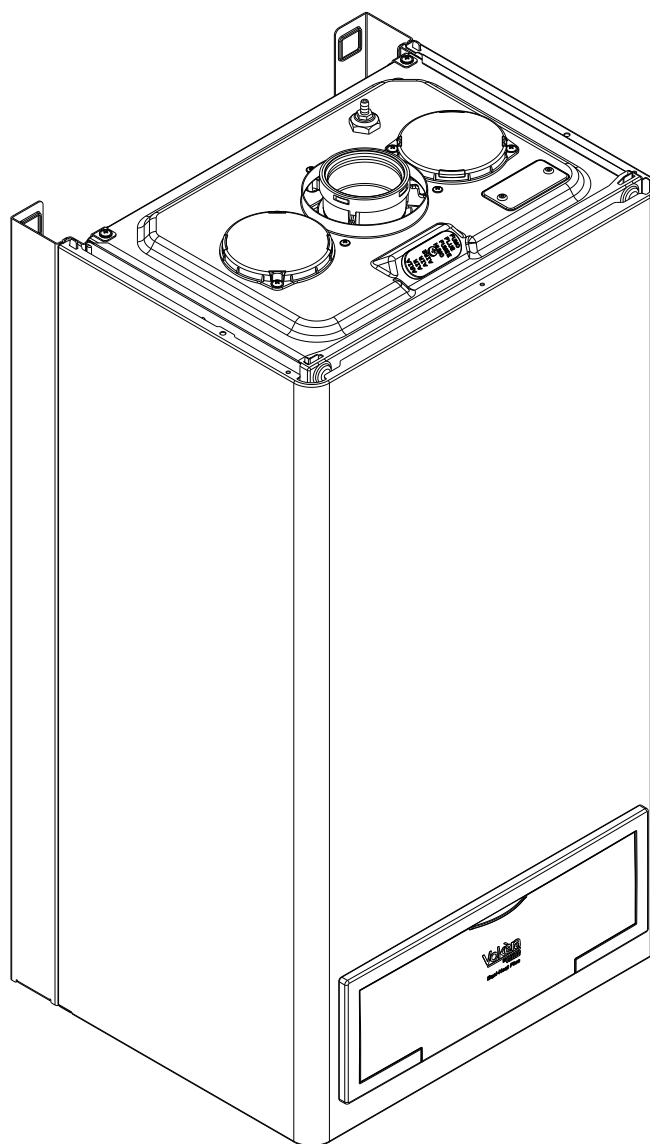
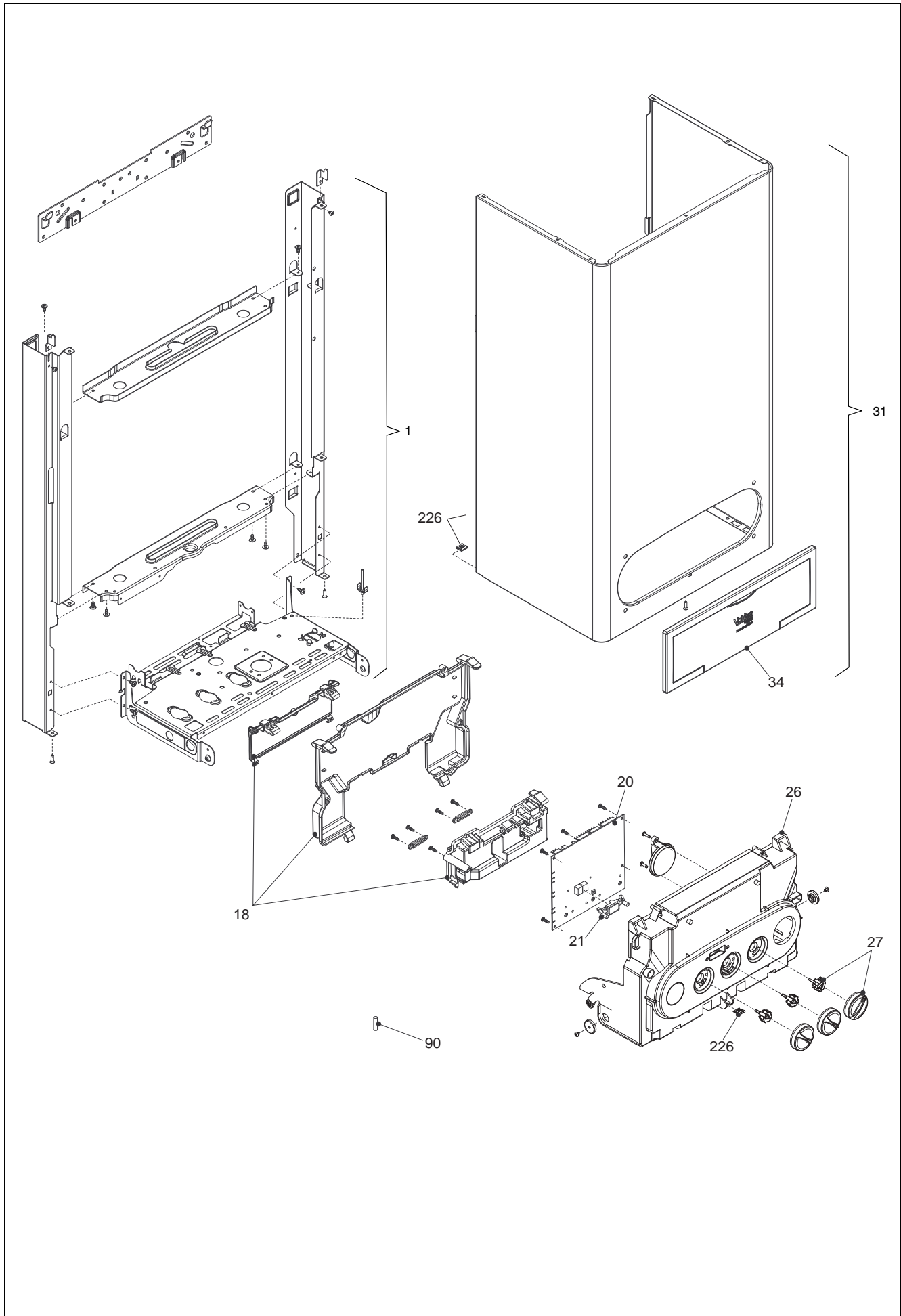


**Wall hung boilers**

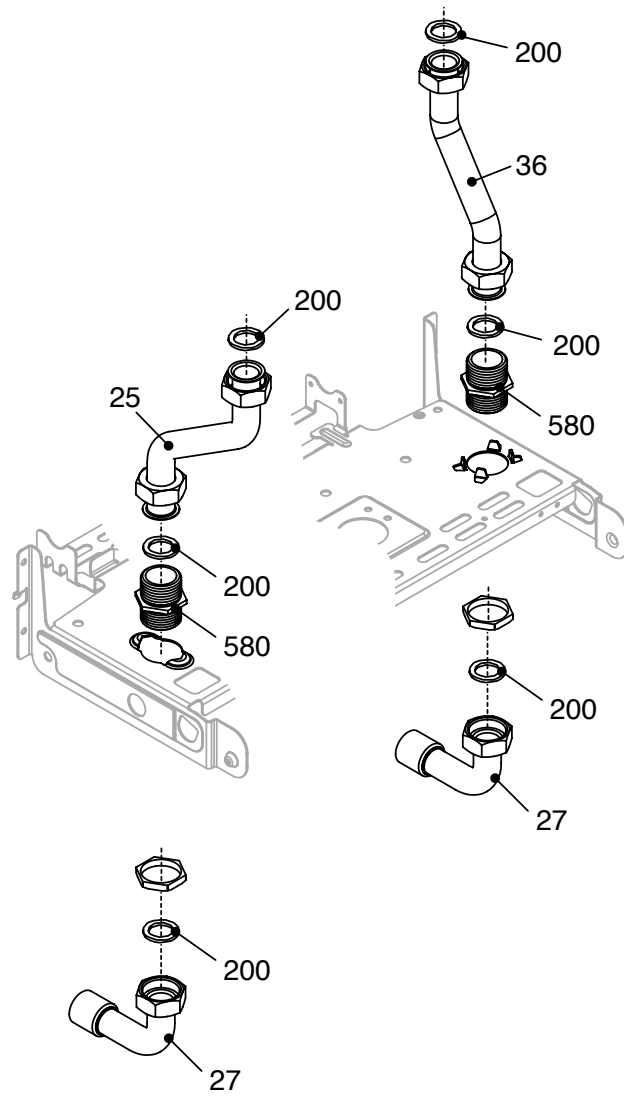
**Easi-Heat Plus**



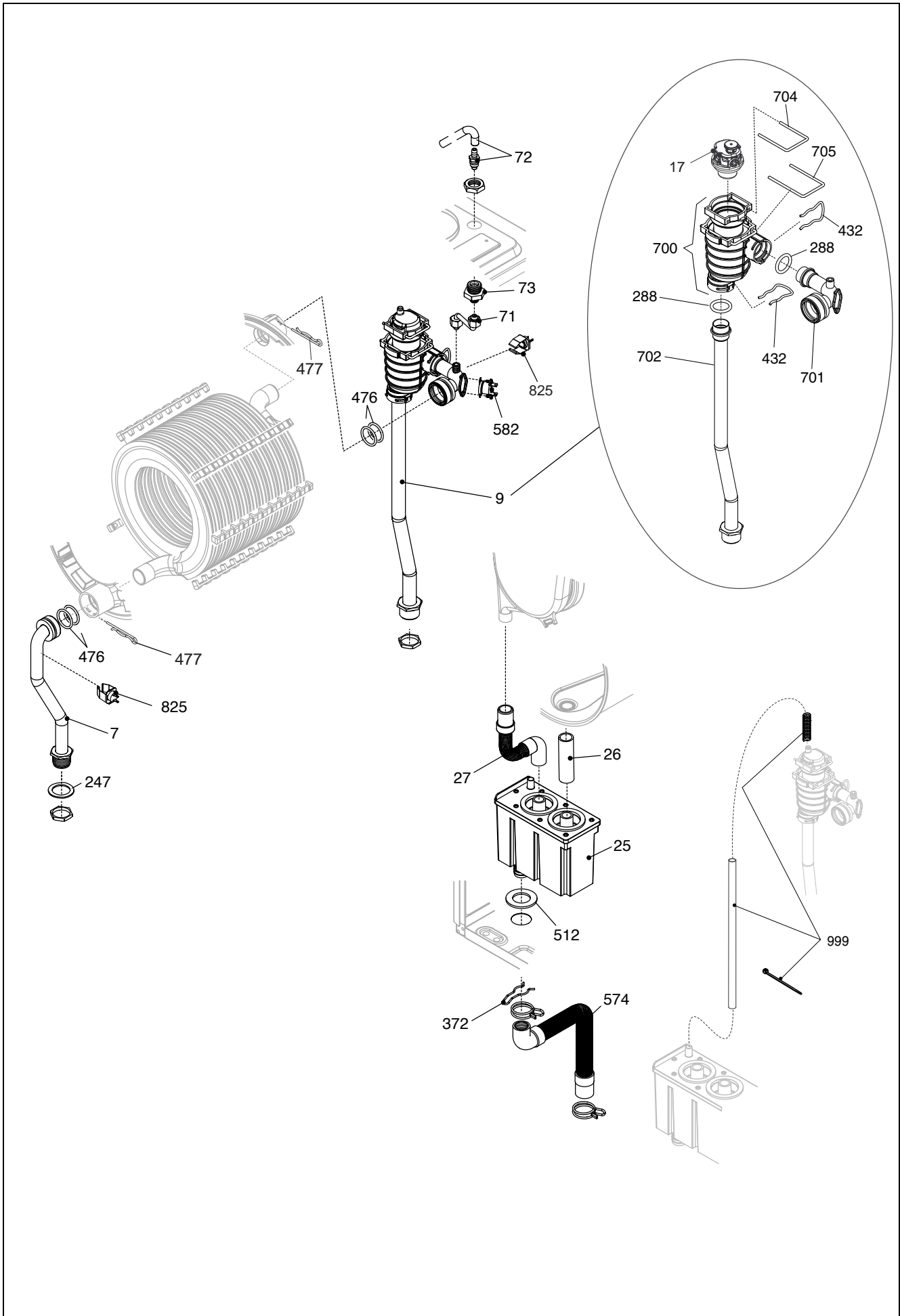
MODEL	PART NUMBER	
	MTN	GPL
Easi-Heat Plus 18V	20136845	—



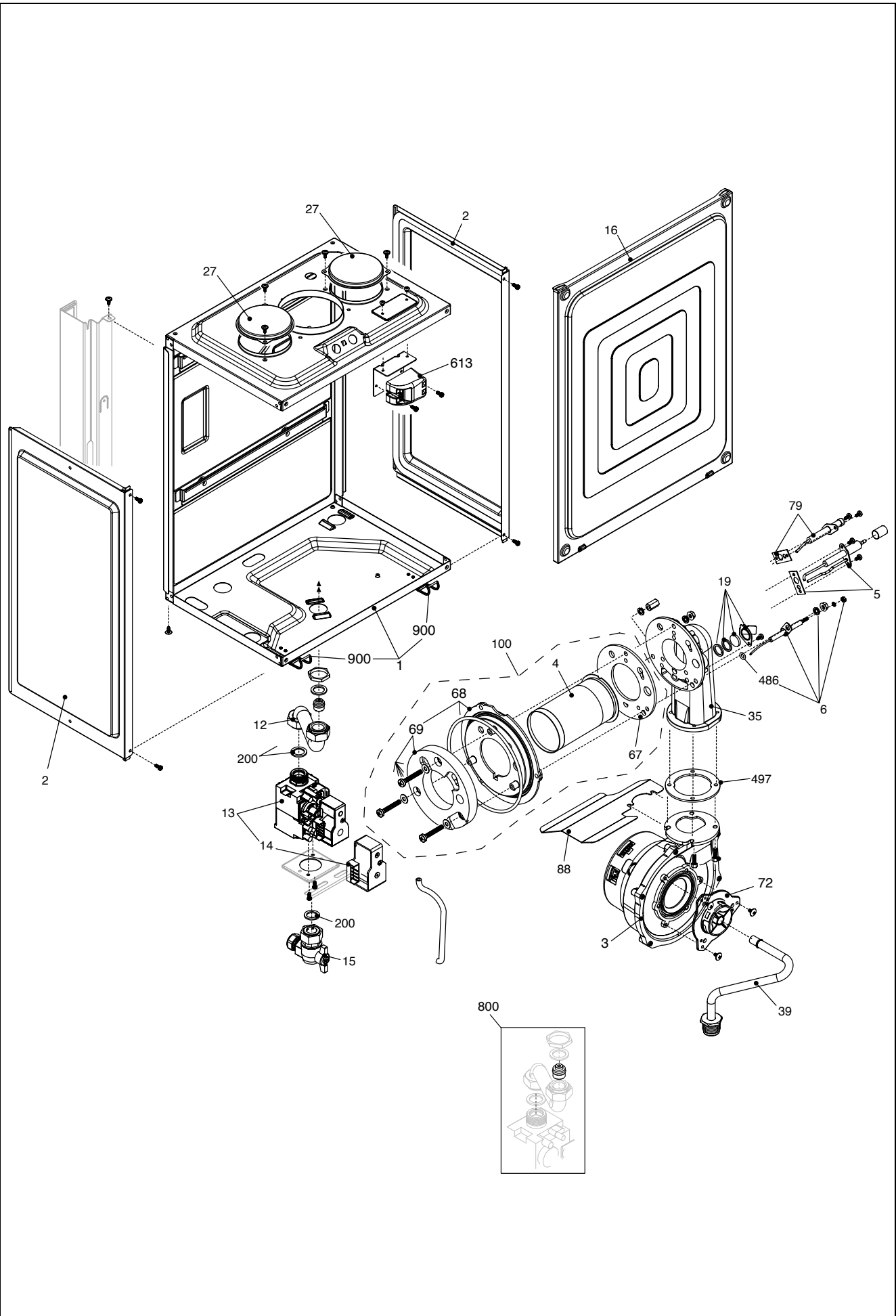
POS.	DESCRIPTION	18v
1	Frame assembly	20120837
18	Cover assembly	R10028554
20	Printed circuit board	R10029717
21	Led light guide	R10028557
26	Instrumental panel	20139414
27	Knob assembly	20006234
31	Case Assembly	20139418
34	Fixing door	20139415
90	Fuse	R3478
226	Clip	R5128



<b>POS.</b>	<b>DESCRIPTION</b>	<b>18v</b>
25	Pipe	R10029590
27	Pipe	20139417
36	Pipe	R10029591
200	Washer	R5023
580	Connection M 3/4 - 3/4	R10029526

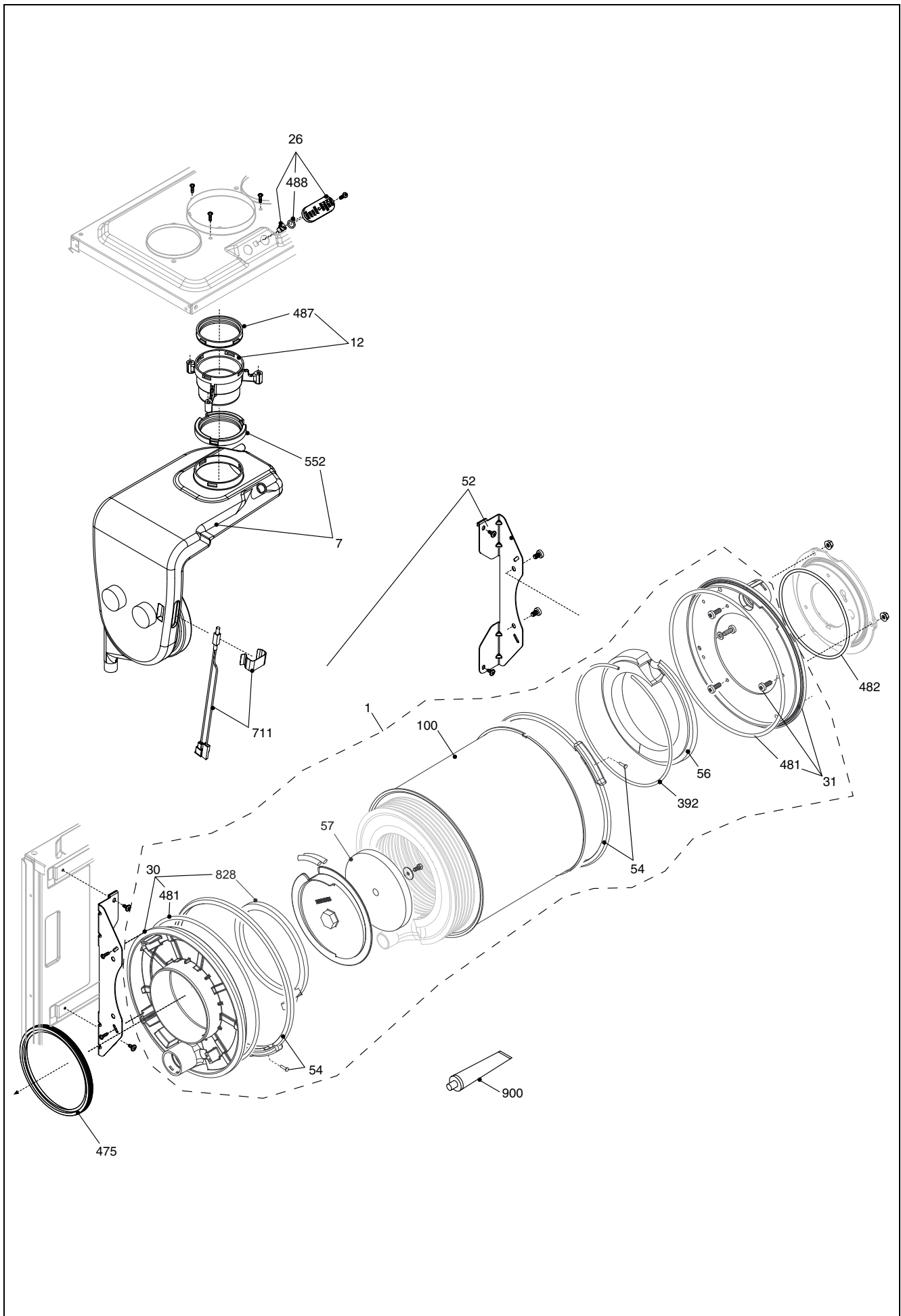


POS.	DESCRIPTION	18v
7	Pipe	R10026267
9	Kit degasser + tube	20020182
17	Air vent valve	20136192
25	Condensate reservoir	R10028405
26	Flexible pipe	R10028540
27	Flexible pipe	R10027192
71	Pipe	20020181
72	Vent plug	R10023235
73	Cock	R10028431
247	Washer	R5203
288	O ring	R6898
372	Clip	R2588
432	Clip	R10024958
476	O ring	R10026324
477	Split pin	R10026269
512	Washer	R10027193
574	Flexible pipe	R10028539
582	Thermostat	R9695
700	Degasser kit	20032553
701	Pipe	20019764
702	Pipe	20020180
704	Clip	20019767
705	Clip	20120828
825	NTC Detector	20078350
999	Degasser connection assembly	20096793

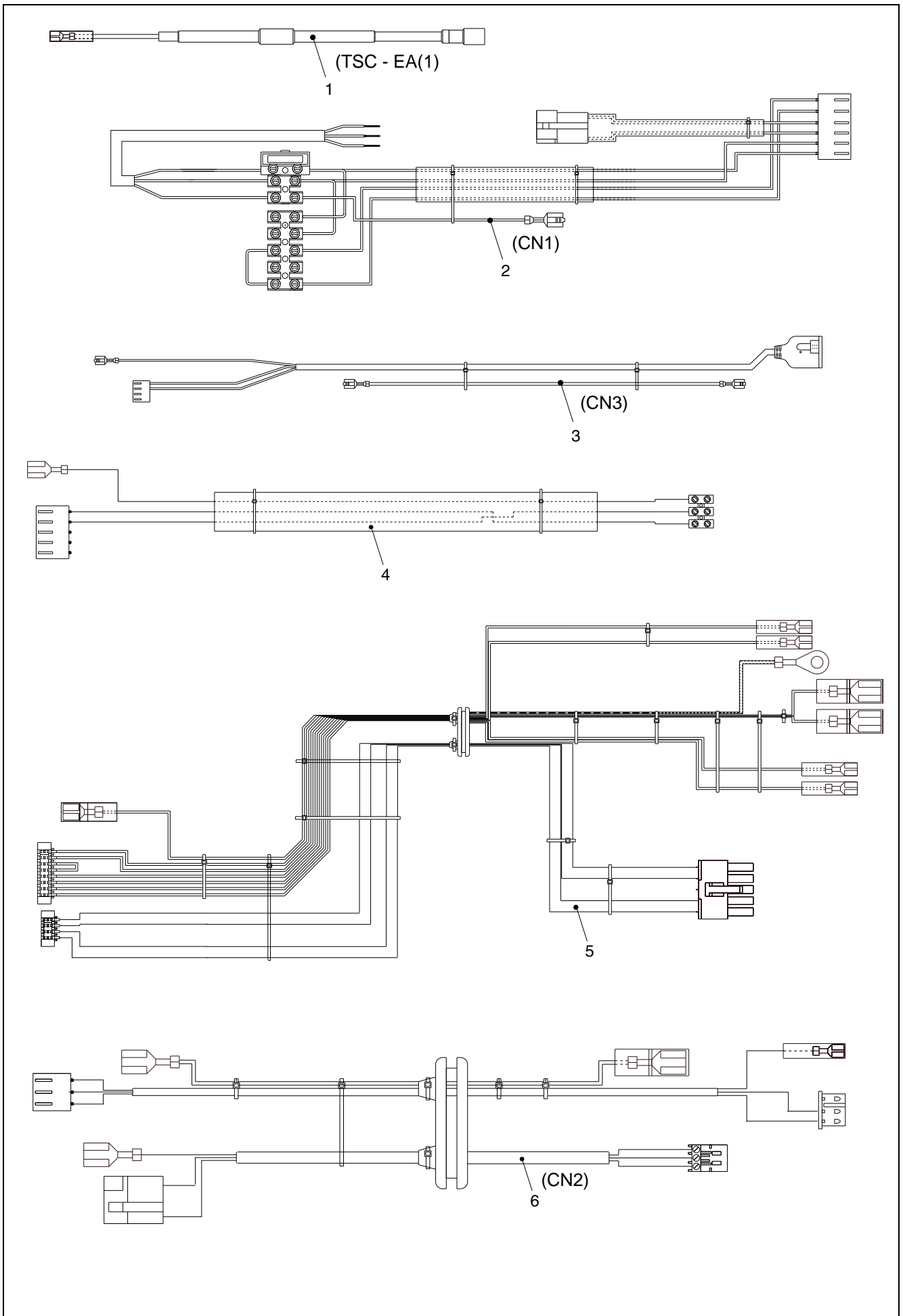




POS.	DESCRIPTION	18v
1	Roomsealed chamber	R10028341
2	Air chamber side	R10026231
3	Fan	R10028456
4	Burner	20093506
5	Igniter	R10027864
6	Condense electrode	R10026316
12	Gas pipe	R10029607
13	Gas valve	20039202
14	Gas valve solenoid	20040675
15	Heating cock	20132650
16	Air box cover	R10028345
19	Burner observation port kit	R10026328
27	Hole cover	20005586
35	Air/gas manifold	R10028420
39	Gas pipe	R10030381
67	Washer	R10026322
68	Flange + insulation panel	20046835
69	Insulation panel	20046836
72	White mixer	20019125
79	Flame sensor	R10028422
88	Blower heat shield	20006411
100	Burner assembly	R10028537
200	Washer	R5023
486	O ring	R10026325
497	Washer	R10026796
613	Ignition transformer	20001563
800	Ng conversion kit	20041548
800	LPG conversion kit	20038060
900	Clips	20061168



POS.	DESCRIPTION	18v
1	Condensing exchanger assembly	R01005443
7	Conveyor	20008306
12	Flue drain connection	R10028421
26	Cap smoke analysis	20089999
30	Flange assembly	20101331
31	Burner flange	20047807
52	Bracket assembly	20101332
54	Ring closing	20047811
56	Insulation panel	20047812
57	Tryton retarder	20036537
100	Container exchanger	20048269
392	Washer	20047819
475	Outlet heat exch.seal gasket	R10026323
481	Washer	20047802
482	Inlet heat exch.seal gasket	R10026366
487	Washer Ø 60	R10026345
488	O ring	R10026494
552	Washer Ø 60	R10028426
711	High limit	20001564
828	Washer	20095796
900	Tube sealant	20047820



POS.	DESCRIPTION	18v
1	Spark electrode cable	R10026558
2	Power wiring harness	R10028596
3	Gas valve cable	R10028599
4	Wiring harness	R10029722
5	Combustion cable	R10029723
6	Ignition cable	20001560



---

Vokera reserve the right to change the specifications without prior notice.  
Consumers' statutory rights are not affected.