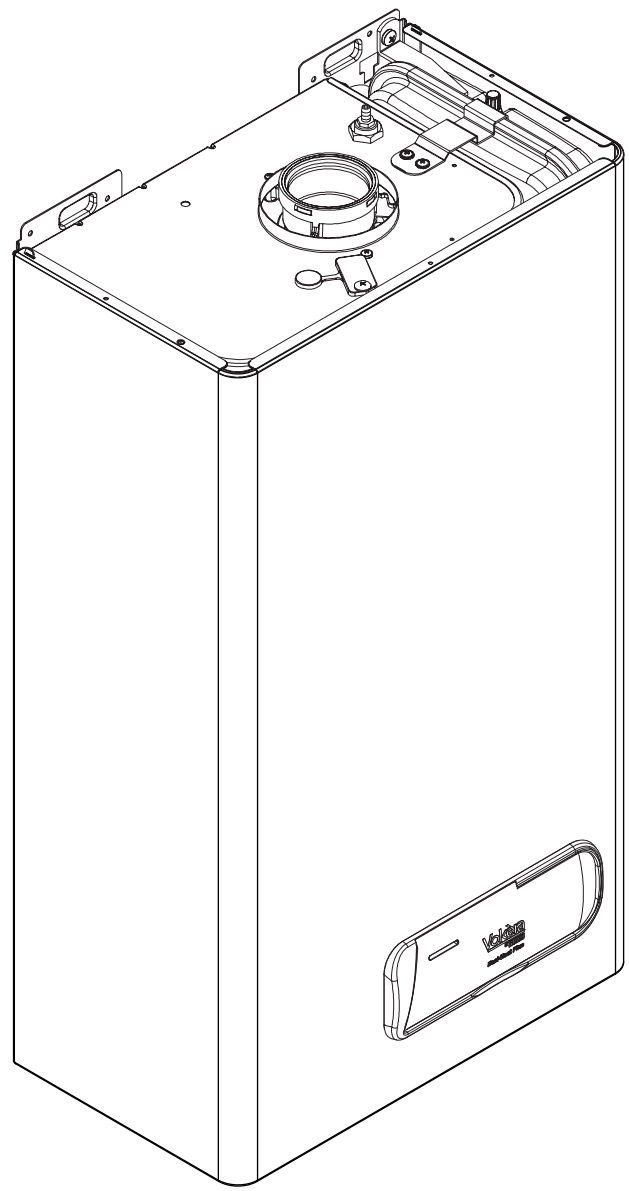
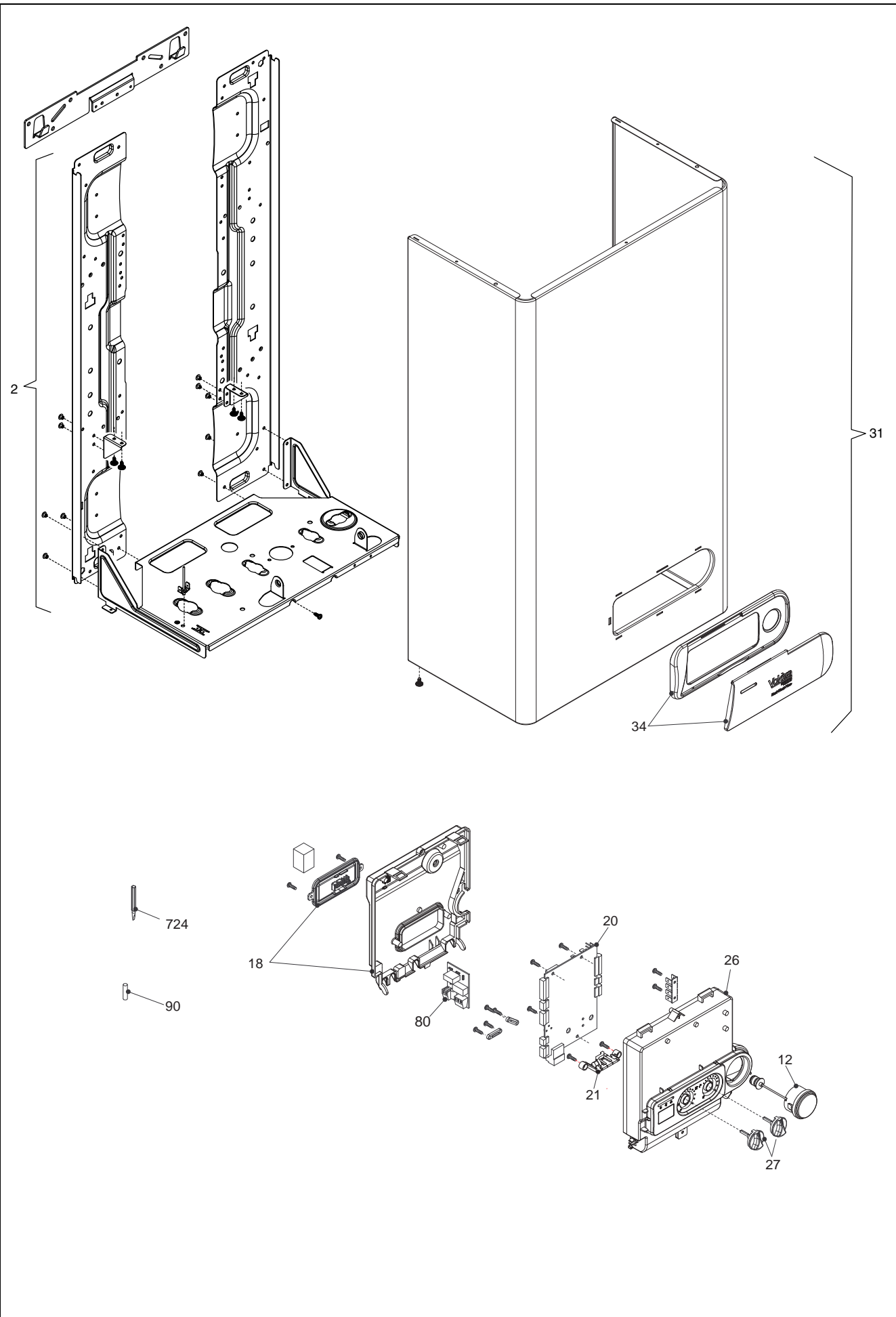


Wall hung boilers

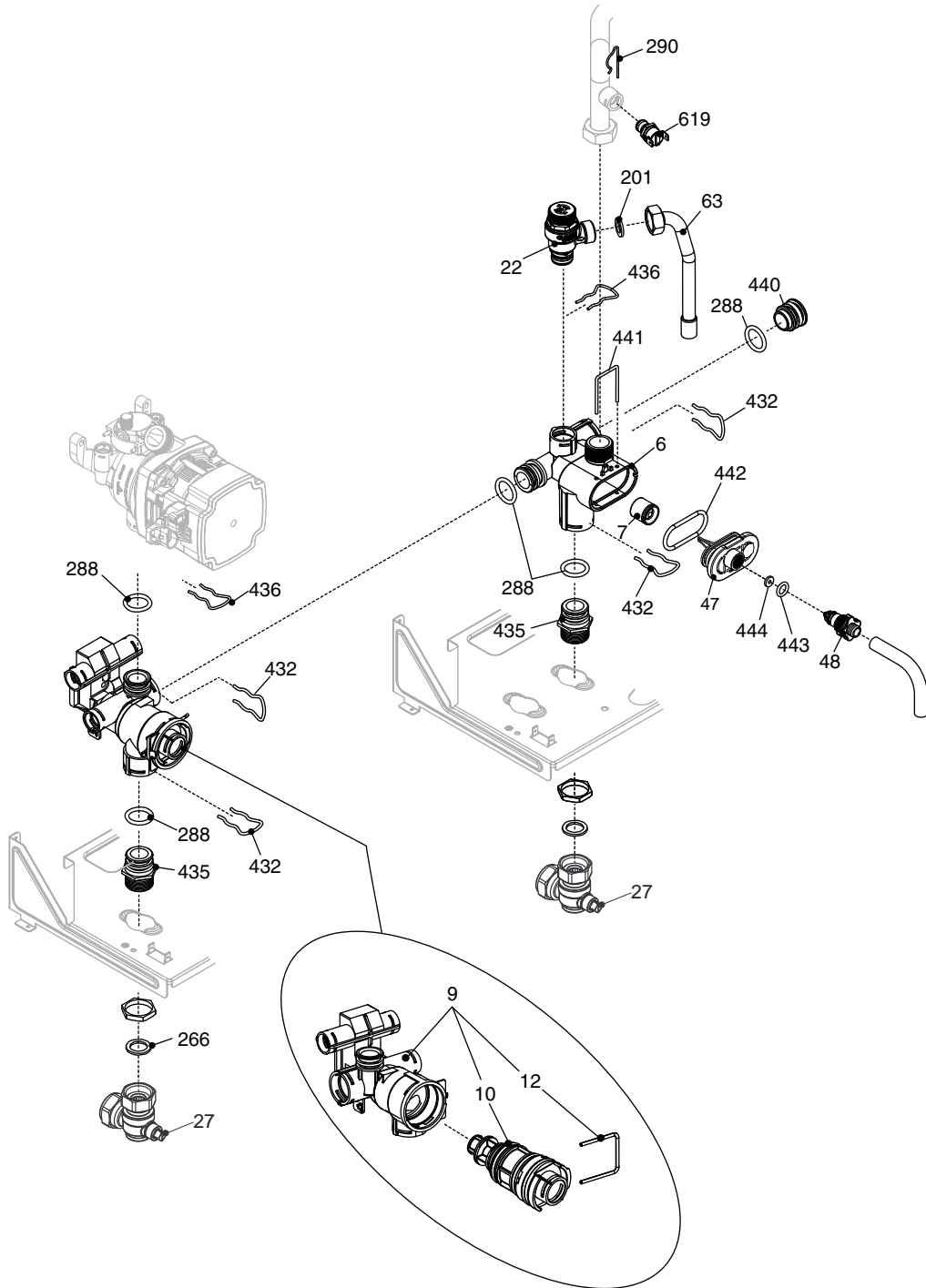
Easi-Heat Plus



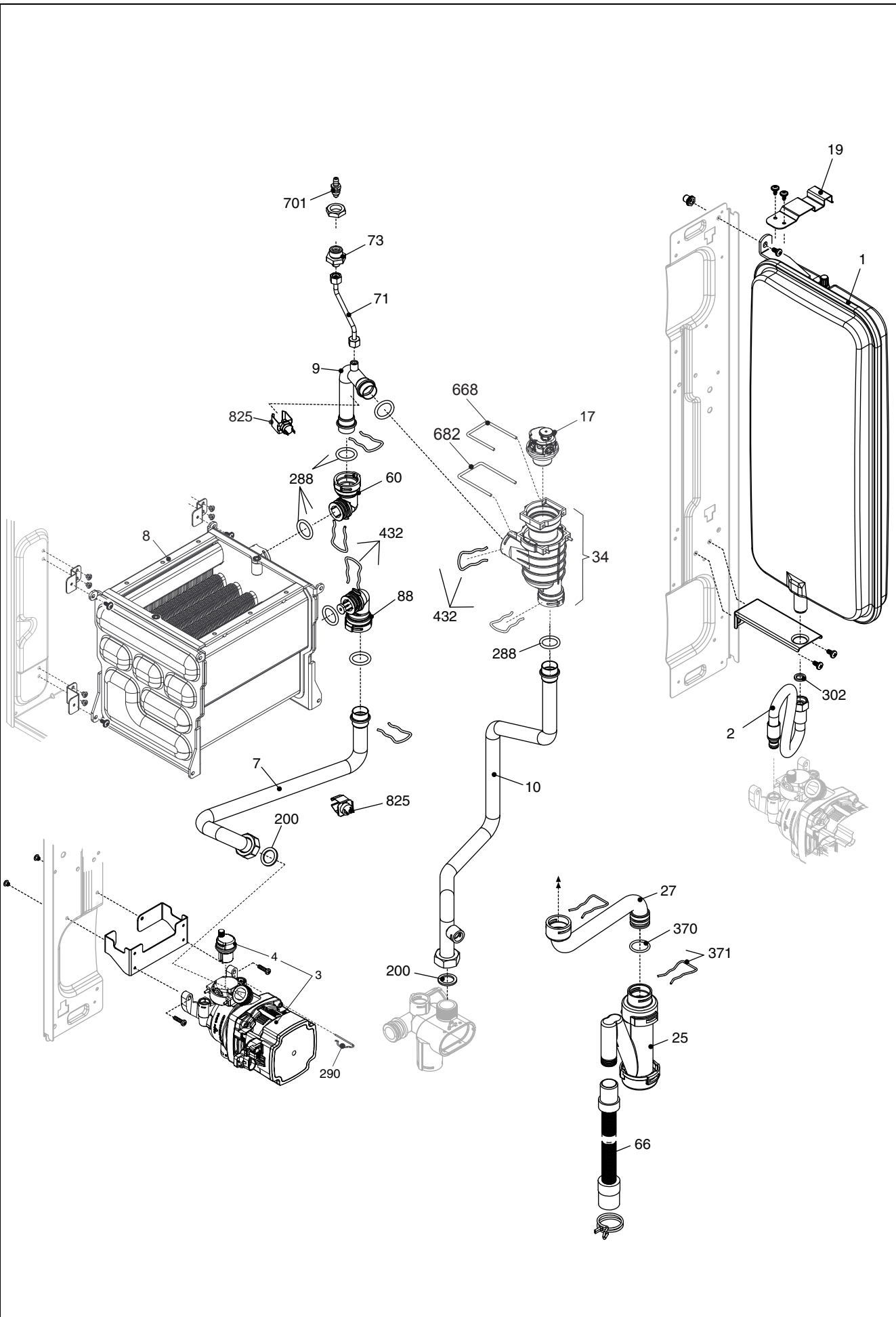
MODEL	PART NUMBER	
	MTN	GPL
Easi-Heat Plus 30S	20136551	



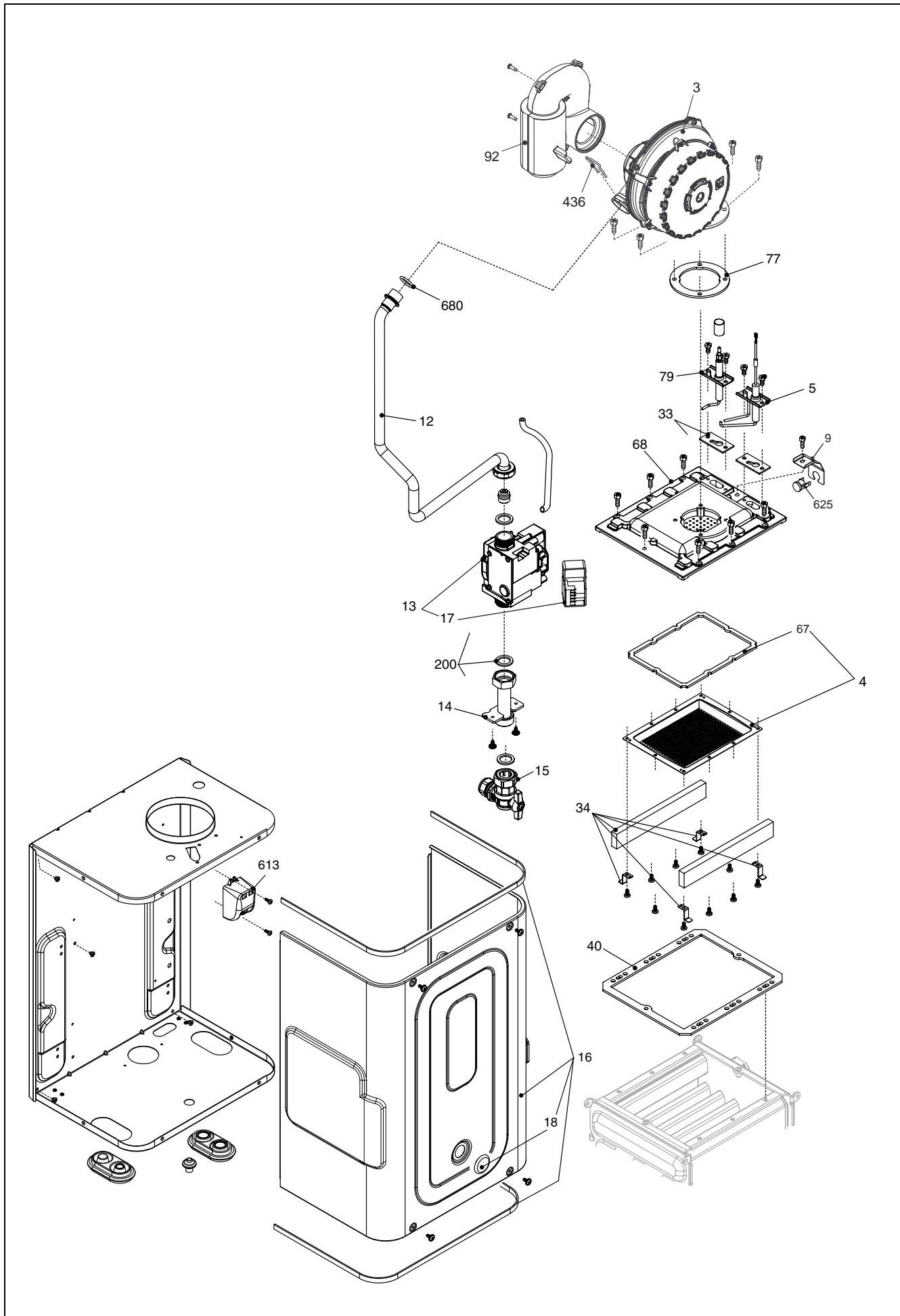
POS.	DESCRIPTION	30s
2	Frame assembly	20049618
12	Quick primer pressure gauge	20005580
18	Control panel cover	20026055
20	Printed circuit board AKL03	20069541
21	led light guide	20013352
26	Instrumental panel	20138688
27	Control knob	20014025
31	Case Assembly	20118922
34	Fixing flange	20118921
80	Printed circuit board	20076436
90	Fuse	R3478
724	Calibration screwdriver	R2455



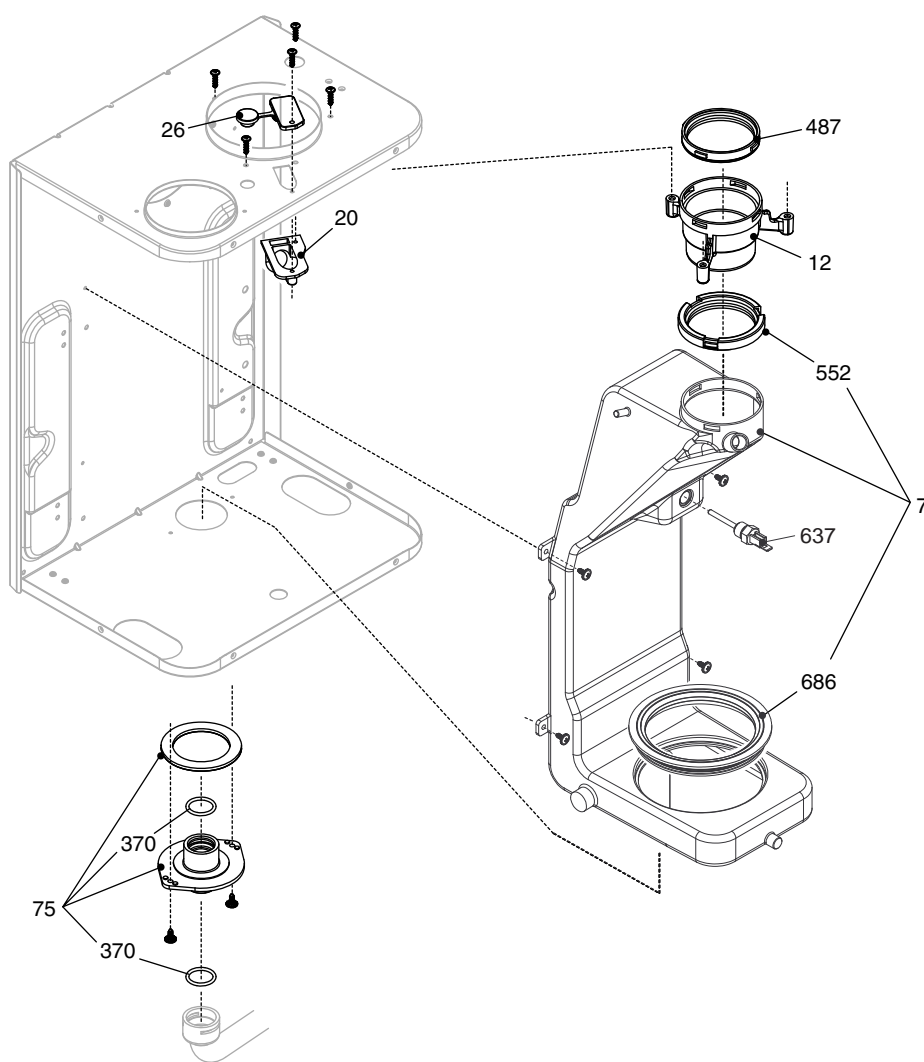
POS.	DESCRIPTION	30s
6	By-pass casing	R10024641
7	High head by-pass valve	R1552
9	Heating manifold and cartridge	R10027768
10	3 way valve cartridge	R10025305
12	Clip	R10025450
22	Safety valve	20043820
27	Heat water cock	20132653
47	Cover for by-pass assembly	20133375
48	Cock	R10024646
63	Pipe	20025755
200	Washer	R5023
201	Washer	R5026
288	O ring	R6898
290	Clip	R2165
432	Clip	R10024958
435	Fitting/union	R10025059
436	Clip	R10025062
440	Automatic by-pass plug	R10024645
441	Clip	R10025063
442	O ring	R10025065
443	O ring	R10025064
444	Washer	R10025066
619	Pressure	20003181



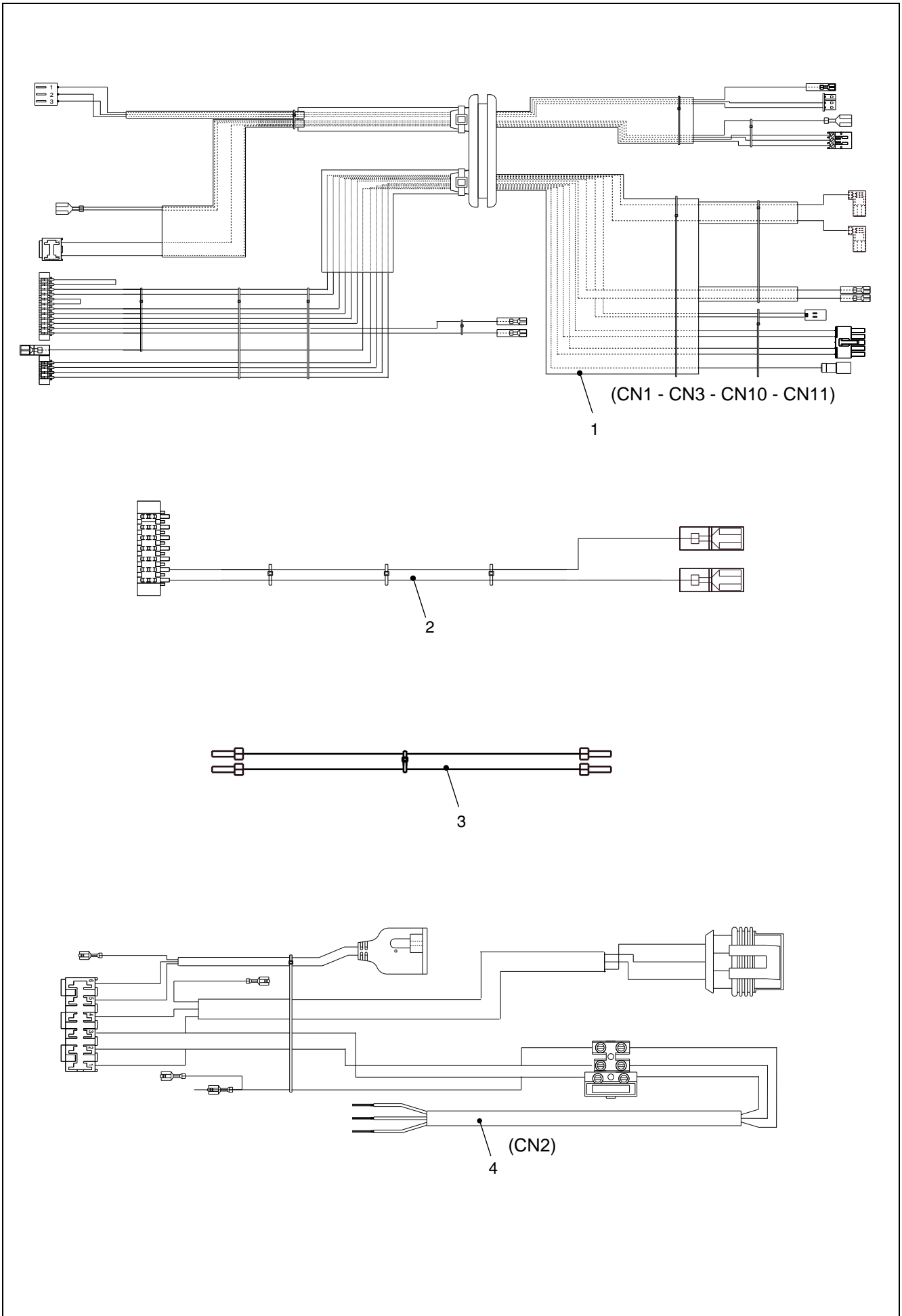
POS.	DESCRIPTION	30s
1	8 ft. expansion vessel	20138101
2	Pipe	R10028603
3	6m. pump	20136316
4	Air vent bottle	R10025485
7	Pipe	20137499
8	Condensing exchanger assembly	20039924
9	Pipe	20090680
10	Pipe	20137497
17	Air vent valve	20136192
19	expansion vessel bracket	20125261
25	Siphon	20025733
27	Condensation outlet tube kit	20025743
34	Degasser kit	20032553
60	Connection	20039953
66	Flexible pipe	R10027545
71	Pipe	20025746
73	Cock	R10028431
88	Connection	20039954
200	Washer	R5023
288	O ring	R6898
290	Clip	R2165
302	Washer	R5025
370	O ring	R10023533
371	Clip	R10023532
432	Clip	R10024958
668	Clip	20019767
682	Clip	20120828
701	Vent plug	R10023235
825	NTC Detector	20078350



POS.	DESCRIPTION	30s
3	Integrated fan	20081318
4	Burner	20055216
5	Spark ignition electrode	20025737
9	Clip	20093799
12	Pipe	20025745
13	Gas valve	20039202
14	Gas pipe	20005553
15	Heating cock	20132650
16	Combustion chamber cover	20005594
17	Gas valve solenoid	20040675
18	Plug	20005550
33	Electrode seal	20025740
34	Protection	20046270
40	Heat exchanger seal (29kw)	20046265
67	Burner seal (29kw)	20116625
68	Cover	20046266
77	Washer	20025753
79	Flame sensor electrode	20043523
92	Silencer	20025760
200	Washer	R5023
436	Clip	R10025062
613	Ignition transformer	20001563
625	High limit thermostat	20005585
680	Washer	20024869



POS.	DESCRIPTION	30s
7	Conveyor	20026060
12	Flue drain connection	R10028421
20	Outlet nut	20026049
26	Plug	20026058
370	O ring	R10023533
487	Washer Ø 60	R10026345
552	Washer Ø 60	R10028426
637	Flue sensor	20007050
686	Washer	20026059



POS.	DESCRIPTION	30s
1	Combustion cable	20025736
2	Low tension cable	20035502
3	Wiring harness	20076437
4	Power wiring harness	20096531



Vokera reserve the right to change the specifications without prior notice.
Consumers' statutory rights are not affected.