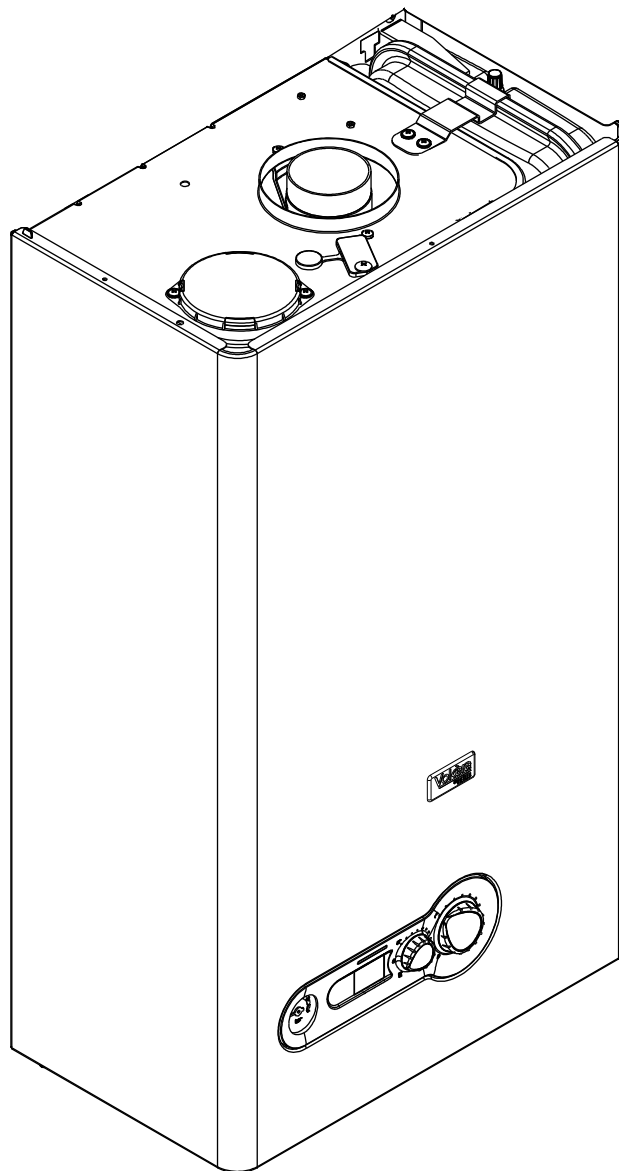


Wall hung boilers

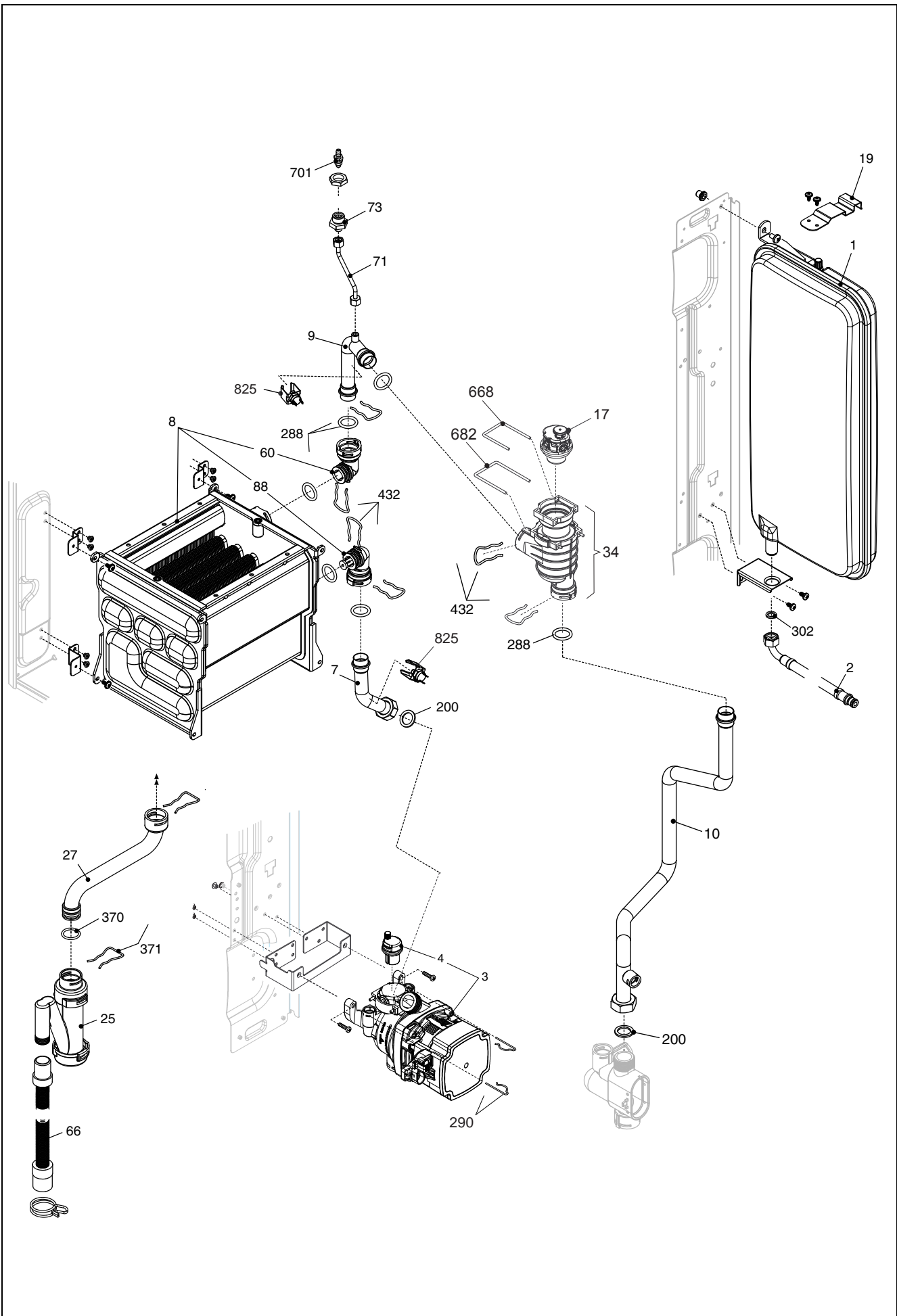
Compact 29 A DIN



MODEL	PART NUMBER	
	MTN	GPL
Compact 29 A DIN	20099233	-

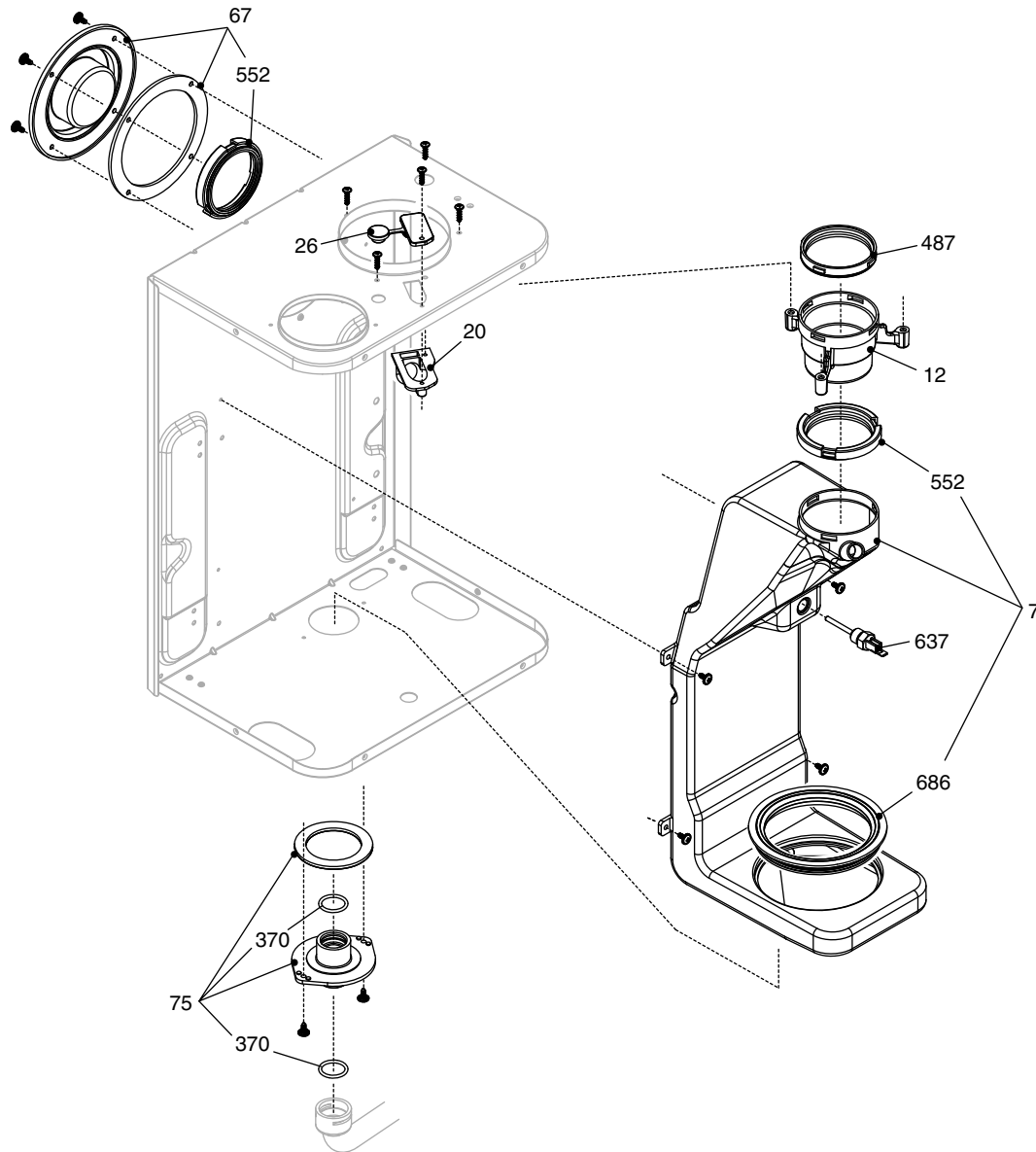
POS.	DESCRIPTION	29a
2	Frame	20060133
12	Pressure gauge	20042115
18	Control panel cover	20101178
20	Printed circuit board	20071334
26	Instrumental panel	20101183
27	Knob	20057330
28	Knob	20059926
31	Case Assembly	20083194
90	Fuse	R3478
724	Calibration screwdriver	R2455

POS.	DESCRIPTION	29a
1	Exchanger	R8037
2	Fitting/union	20092620
4	Non return valve	R10025056
5	Connection	R10024647
6	By-pass casing	R10024642
7	High head by-pass valve	R1552
8	Pipe	R10025057
9	3-way heating manifold and cartridge	20021497
10	Cartridge	20043594
11	Actuator	20017594
13	Clip	20017598
22	Safety valve	20043820
24	Flow governor	R10024987
25	Pipe	R10024982
26	Dhw actuator	20073700
27	Heating cock	R1789
28	Connection	R1790
30	Water supply stop cock	R7099
37	Pipe	20013140
47	Cover for by-pass assembly	20133375
48	Cock	R10024646
63	Pipe	20036120
65	Pipe	R10024983
200	Washer	R5023
201	Washer	R5026
265	Washer	R5236
266	Washer	R5237
288	O ring	R6898
290	Clip	R2165
351	Nut	R1823
353	Nut	R1824
432	Clip	R10024958
433	Clip	R10024986
434	Nipple	R10024985
435	Fitting/union	R10025059
436	Clip	R10025062
438	O ring	R10024988
439	Washer	R10025067
441	Clip	R10025063
442	O ring	R10025065
443	O ring	R10025064
444	Washer	R10025066
521	NTC sensor	R10027351
619	Pressure	20003181

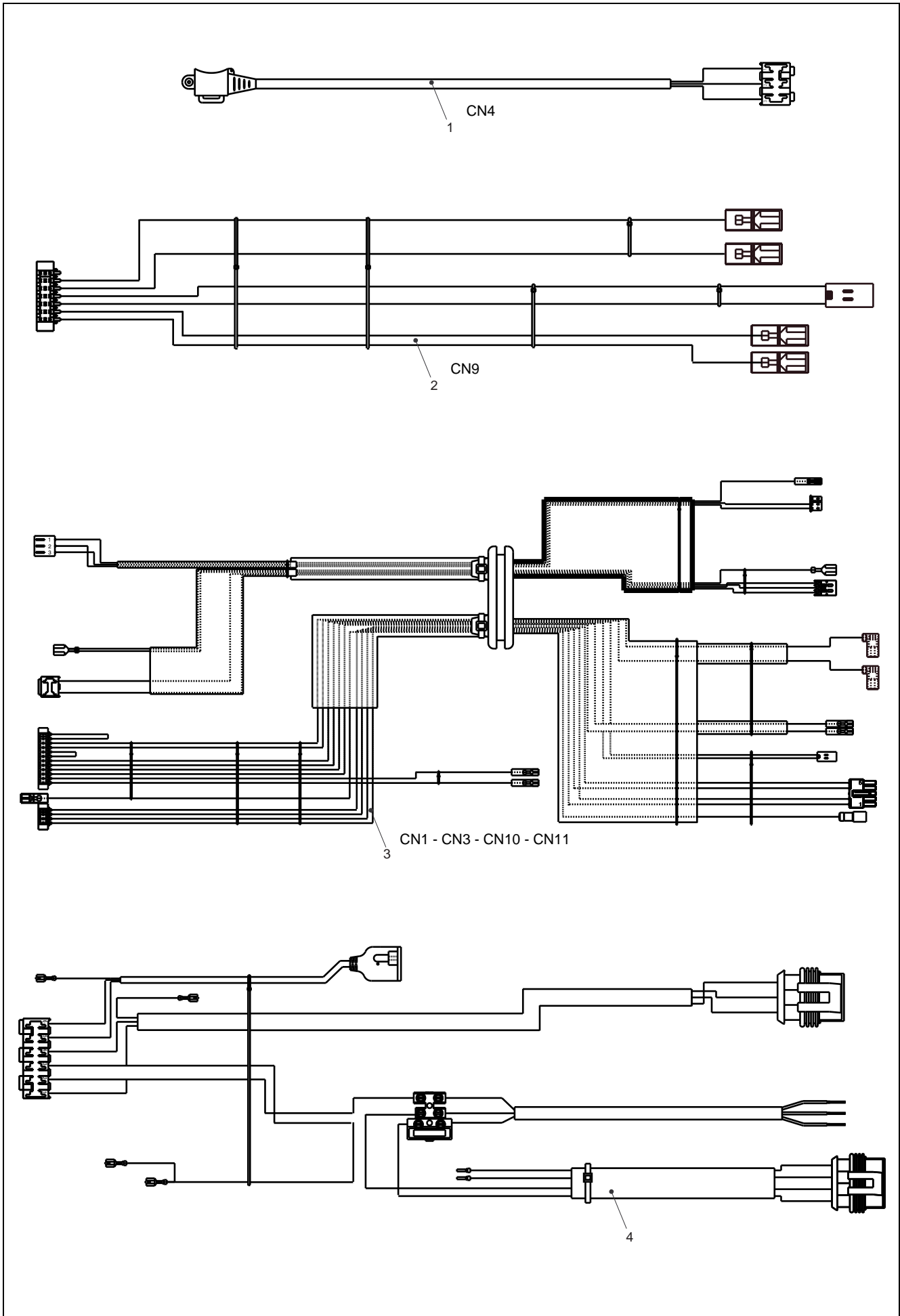


POS.	DESCRIPTION	29a
1	8 lt. expansion vessel	20138098
2	Flexible pipe	20012937
3	6m. pump	20136316
4	Air vent bottle	R10025485
7	Pipe	20074590
8	Condensing exchanger assembly	20039924
9	Pipe	20090680
10	Pipe	20072330
17	Air vent valve	20136192
19	expansion vessel bracket	20125261
25	Siphon	20025733
27	Condensation outlet tube kit	20025743
34	Degasser kit	20032553
60	Connection	20039953
66	Flexible pipe	R10027545
71	Pipe	20025746
73	Cock	R10028431
88	Connection	20039954
200	Washer	R5023
288	O ring	R6898
290	Clip	R2165
302	Washer	R5025
370	O ring	R10023533
371	Clip	R10023532
432	Clip	R10024958
668	Clip	20019767
682	Clip	20120828
701	Vent plug	R10023235
825	NTC Detector	20078350

POS.	DESCRIPTION	29a
3	Integrated fan	20081318
4	Burner	20055216
5	Spark ignition electrode	20025737
9	Clip	20093799
12	Pipe	20039152
13	Gas valve	20039202
14	Gas pipe	20040474
15	3/4" gas cock	R10020897
16	Combustion chamber cover	20005594
17	Gas valve solenoid	20040675
18	Plug	20005550
27	Hole cover	20005586
33	Electrode seal	20025740
34	Protection	20046270
40	Heat exchanger seal (29kw)	20046265
67	Burner seal (29kw)	20116625
68	Cover	20046266
77	Washer	20025753
79	Flame sensor electrode	20043523
92	Silencer	20025760
200	Washer	R5023
436	Clip	R10025062
613	Ignition transformer	20001563
625	High limit thermostat	20005585
680	Washer	20024869
700	Ng conversion kit (up to serial n.≤ 20099233L4159999)	20057751
700	Ng conversion kit (from serial n.≥ 20099233L4250001)	20113104
700	LPG conversion kit (up to serial n.≤ 20099233L4159999)	20029055
700	Lpg conversion kit (from serial n.≥ 20099233L4250001)	20113110



POS.	DESCRIPTION	29a
7	Conveyor	20055453
12	Flue drain connection	R10028421
20	Outlet nut	20026049
26	Plug	20026058
67	Drain plug	20000118
75	Flue collector	20026056
370	O ring	R10023533
487	Washer Ø 60	R10026345
552	Washer Ø 60	R10028426
637	Flue sensor	20007050



POS.	DESCRIPTION	29a
1	Hydraulic control cable	20017596
2	Low tension cable	20113021
3	Combustion cable	20025736
4	Power wiring harness	20101723

Rev.	Data	Descrizione
1.0	21/10/2015	Inserita nuova tavola per gestione disegni cablaggi elettrici
2.0	27/01/2016	E00120150290 : tappo degasatore 2 fori – E00120150854 : cablaggio bassa tensione E00120150787 : diaframma , trasformazioni
3.0	14/04/2016	Corretto disegno scatola aria – Aggiunta guarnizione bruciatore
4.0	06/12/2016	aggiunta staffa fissaggio vaso esp. – aggiunta molletta fissaggio tappo degasatore Corrette trasformazioni gas (e gestione matricola)rif.E00120150787
5.0	15/02/2017	E00120170040 : Nuovo Brand Vokera by Riello
6.0	07/09/2017	Aggiornato disegno raccordo collegamento scambiatore E00120170341 : valvola sfogo aria – E00120170425 : vaso espansione E00120170407: coperchio corpo by-pass – Razionalizzazione circolatori



Vokera reserve the right to change the specifications without prior notice.
Consumers' statutory rights are not affected.