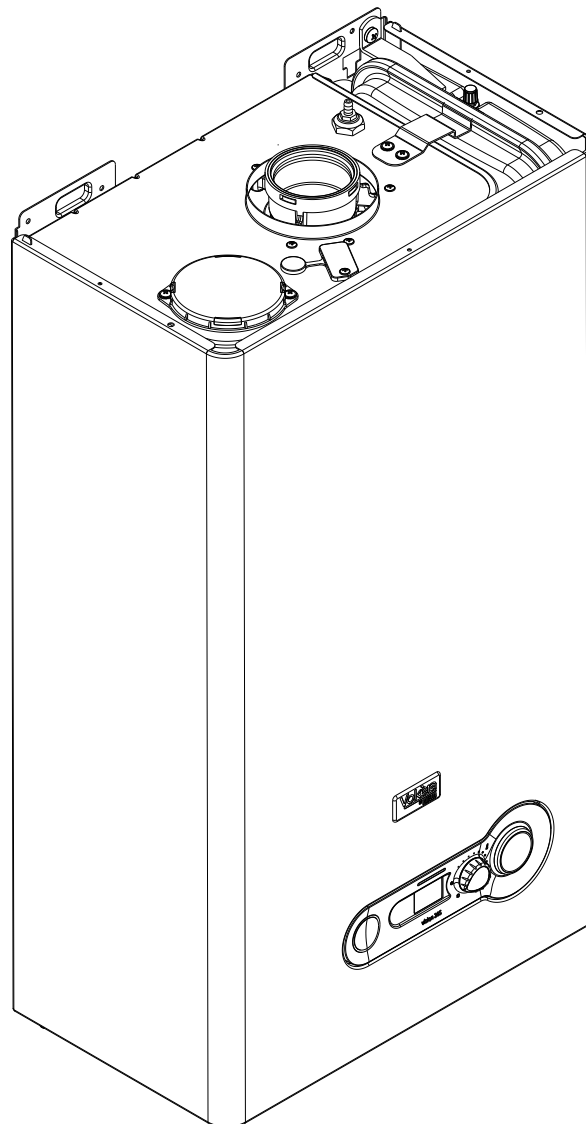
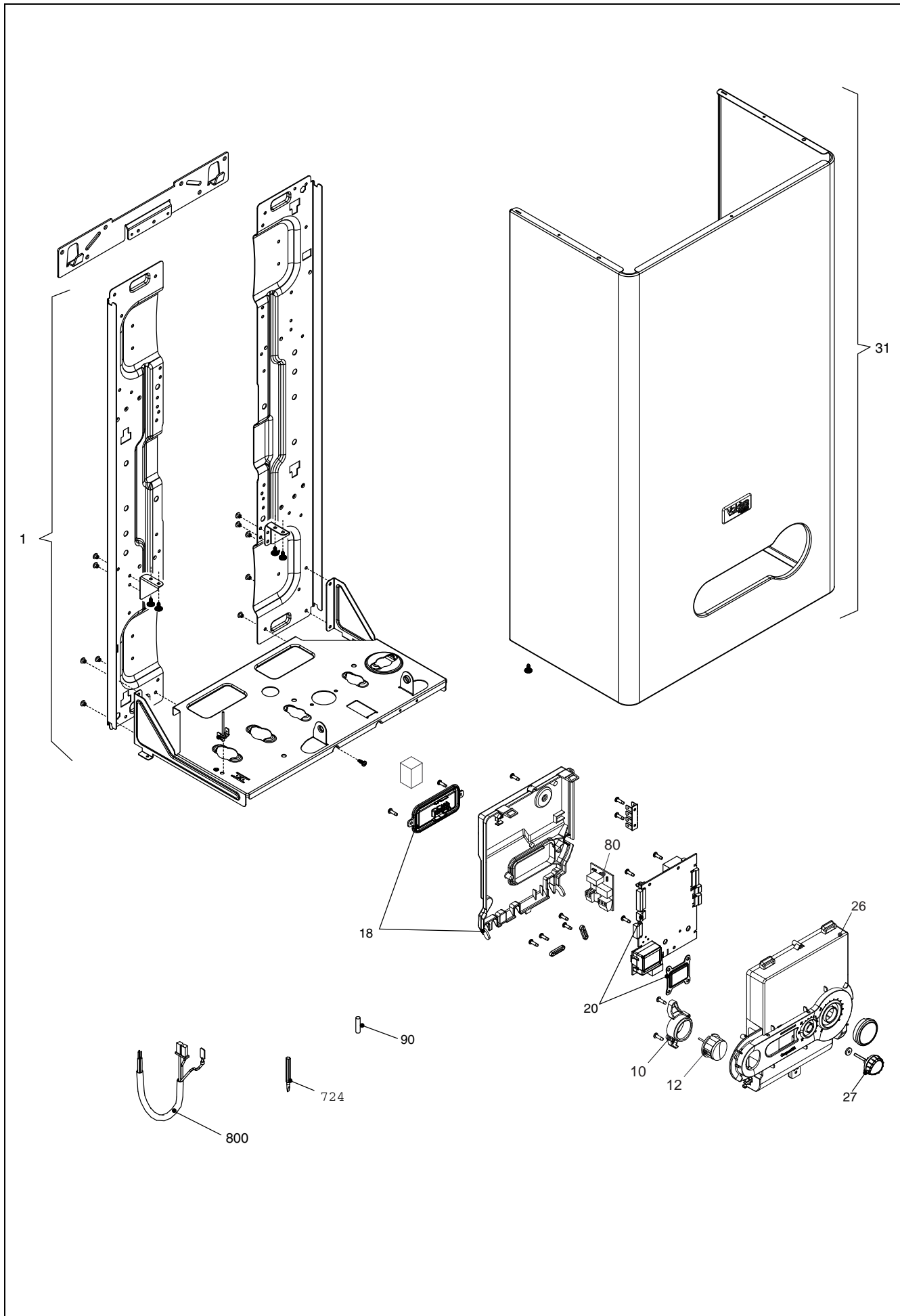


Wall hung boilers

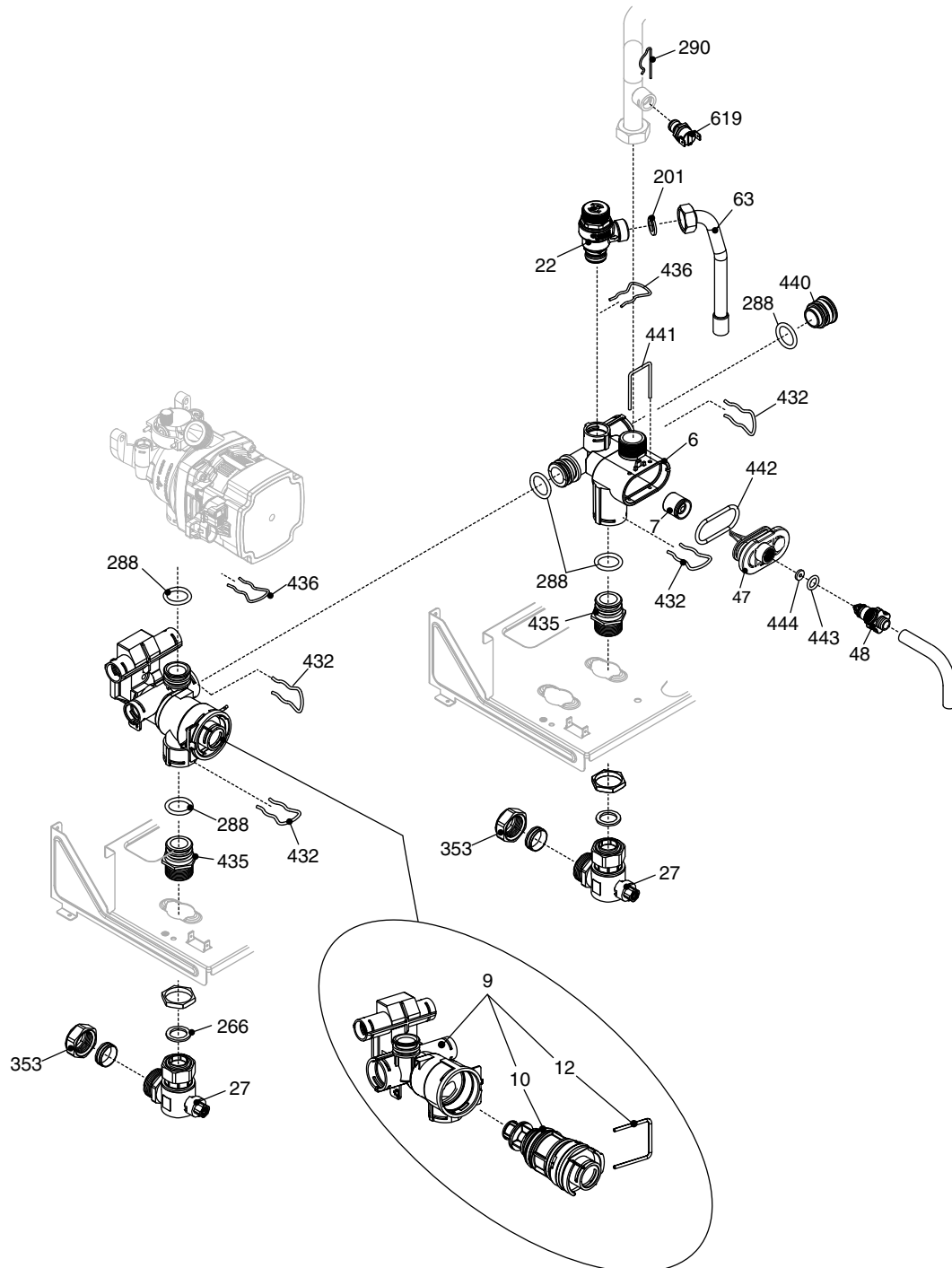
VISION 25S



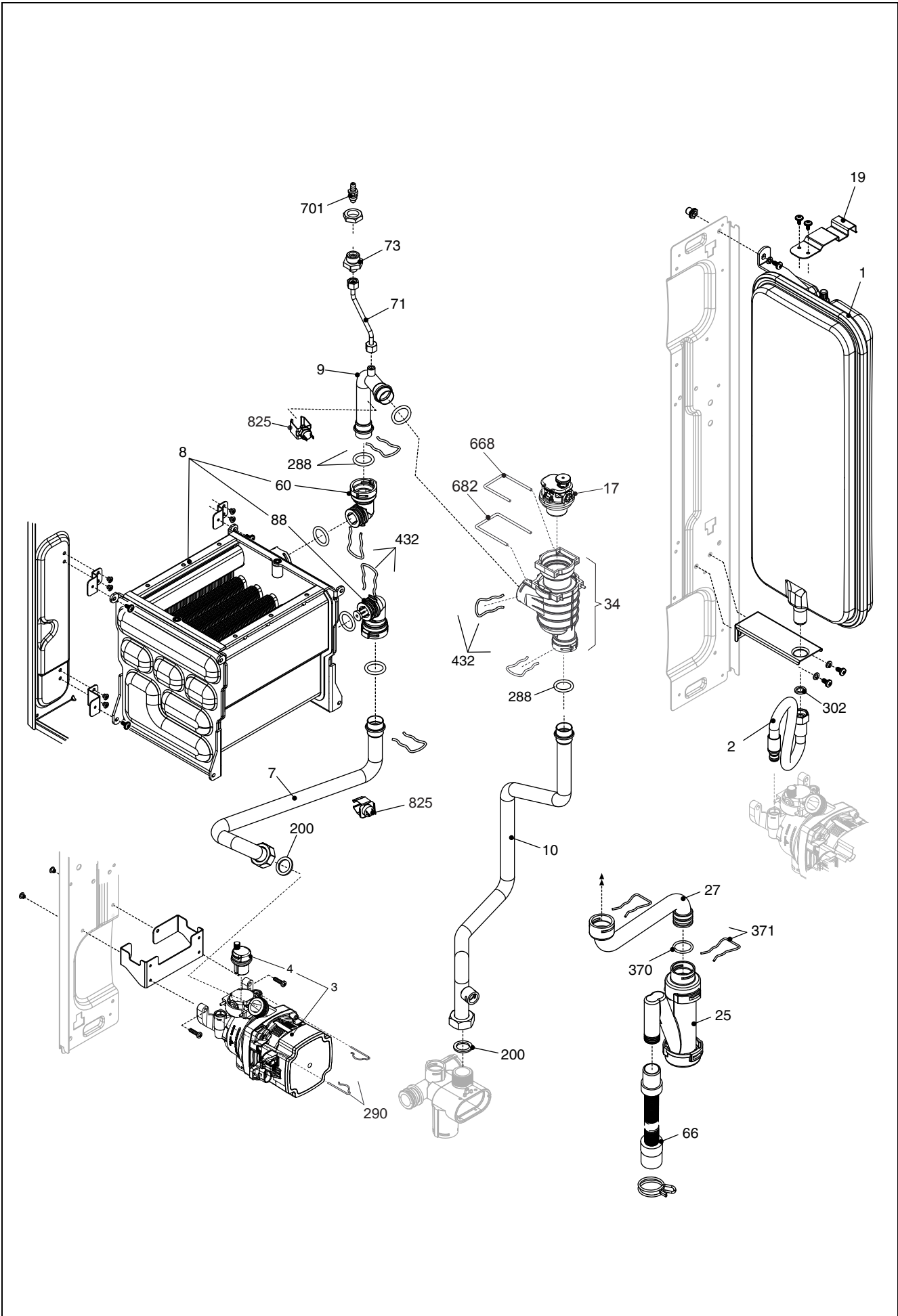
MODEL	PART NUMBER	
	MTN	GPL
Vision 25S	20099229	20099232



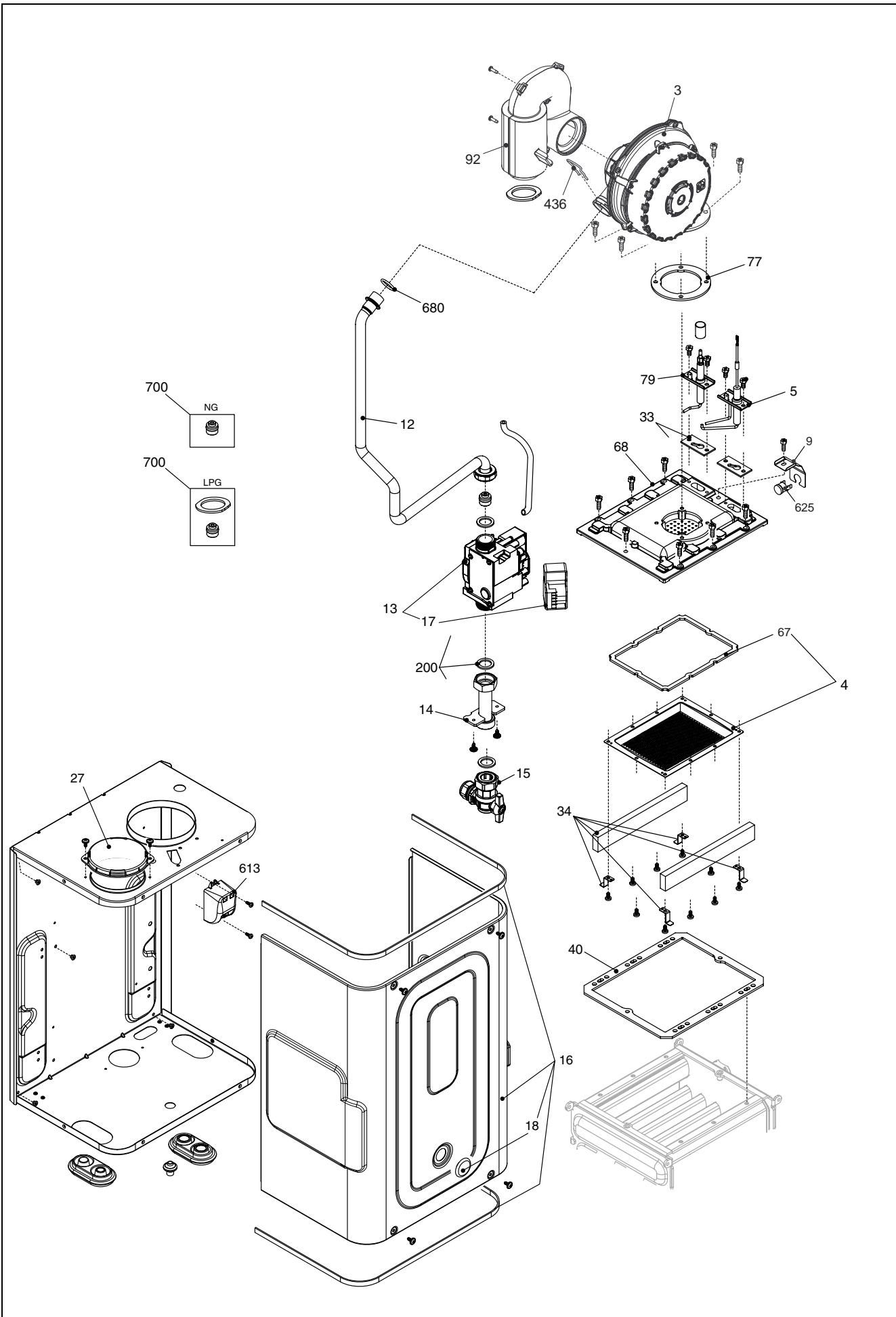
POS.	DESCRIPTION	25s
1	Frame assembly	20049618
10	Water gauge carrier	20101724
12	Pressure gauge	20131460
18	Control panel cover	20101178
20	Printed circuit board	20071334
26	Instrumental panel	20101177
27	Knob	20057330
31	Case Assembly	20073523
80	Printed circuit board	20076436
90	Fuse	R3478
724	Calibration screwdriver	R2455
800	Wiring harness	20076437
800	Power wiring harness	20096531
800	Low tension cable	20035502



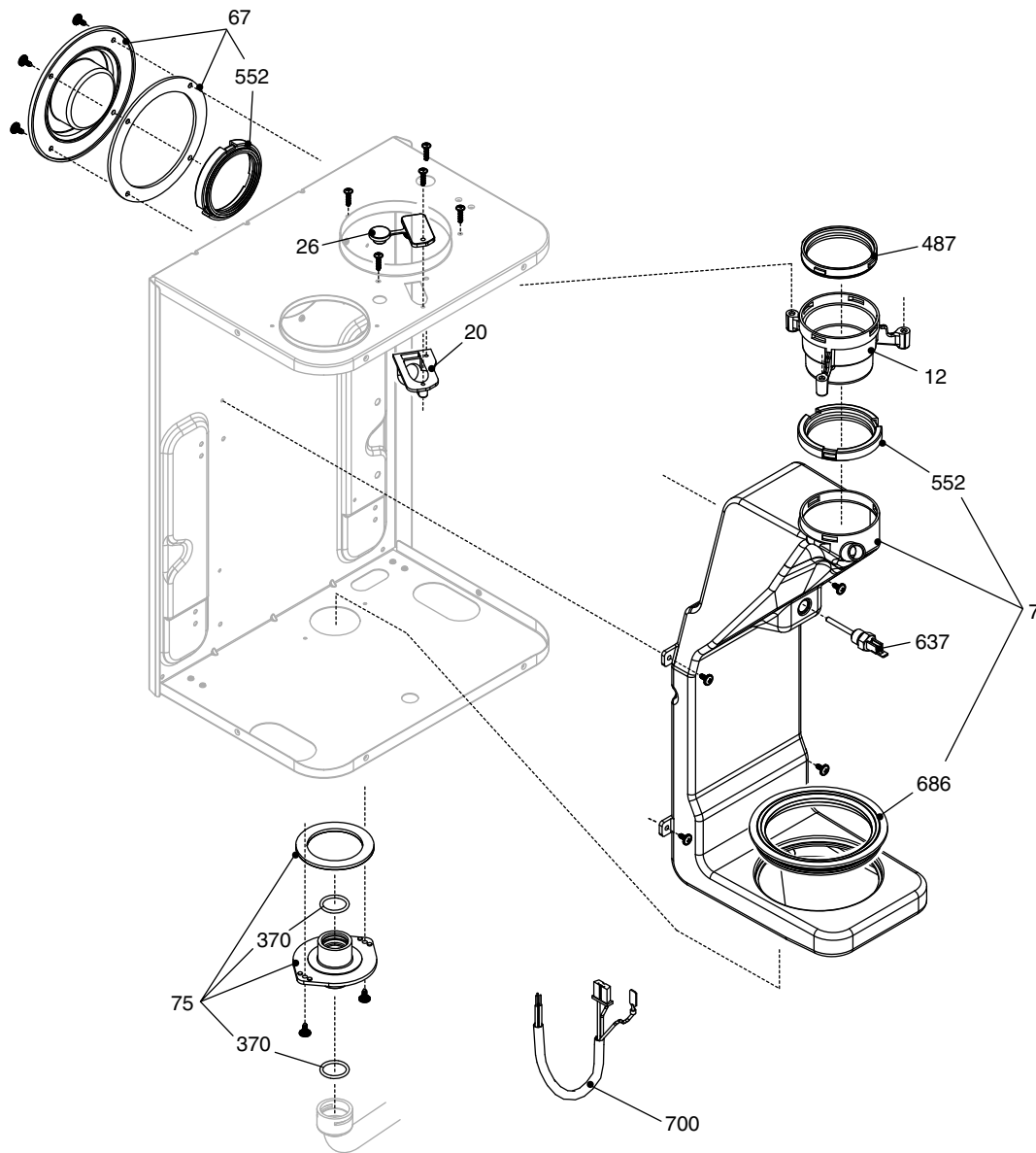
POS.	DESCRIPTION	25s
6	By-pass casing	R10024641
7	By-pass valve	R1552
9	Heating manifold and cartridge	R10027768
10	3 way valve cartridge	R10025305
12	Clip	R10025450
22	Safety valve	20043820
27	Heating cock	R1789
47	Cover for by-pass assembly	20133375
48	Cock	R10024646
63	Pipe	20025755
201	Washer	R5026
266	Washer	R5237
288	Ring	R6898
290	Clip	R2165
353	Nut	R1824
432	Clip	R10024958
435	Fitting/union	R10025059
436	Clip	R10025062
440	Automatic by-pass plug	R10024645
441	Clip	R10025063
442	O ring	R10025065
443	O ring	R10025064
444	Washer	R10025066
619	Pressure	20003181



POS.	DESCRIPTION	25s
1	Expansion vessel	20138101
2	Pipe	R10028603
3	Pump	20136316
4	Air vent bottle	R10025485
7	Pipe	20025763
8	Condensing exchanger assembly	20039924
9	Pipe	20090680
10	Pipe	20025744
17	Air vent valve	20136192
19	expansion vessel bracket	20125261
25	Siphon	20025733
27	Condensation outlet tube kit	20025743
34	Degasser kit	20032553
60	Connection	20039953
66	Flexible pipe	R10027545
71	Pipe	20025746
73	Cock	R10028431
88	Connection	20039954
200	Washer	R5026
288	O ring	R6898
290	Clip	R2165
302	Washer	R5025
370	O ring	R10023533
371	Clip	R10023532
432	Clip	R10024958
668	Clip	20019767
682	Clip	20120828
701	Vent plug	R10023235
825	NTC Detector	20078350



POS.	DESCRIPTION	25s
3	Integrated fan	20081318
4	Burner	20055216
5	Spark ignition electrode	20025737
9	Clip	20093799
12	Pipe	20025745
13	Gas valve	20039202
14	Gas pipe	20005553
15	3/4" gas cock	R10020897
16	Combustion chamber cover	20005594
17	Gas valve solenoid	20040675
18	Plug	20005550
27	Hole cover	20005586
33	Electrode seal	20025740
34	Protection	20046270
40	Heat exchanger seal (29kw)	20046265
67	Burner seal (29kw)	20116625
68	Cover	20046266
77	Washer	20025753
79	Flame sensor electrode	20043523
92	Silencer	20025760
200	Washer	R5023
436	Clip	R10025062
613	Ignition transformer	20001563
625	High limit thermostat	20005585
680	Washer	20024869
700	Ng conversion kit (up to serial n.≤ 20099229L4251632 or ≤ 20099232L4250096)	20057751
700	Ng conversion kit (from serial n.≥ 20099229L4251633 or ≥ 20099232L4250097)	20113104
700	LPG conversion kit (up to serial n.≤ 20099229L4251632 or ≤ 20099232L4250096)	20029055
700	Lpg conversion kit (from serial n.≥ 20099229L4251633 or ≥ 20099232L4250097)	20113110



POS.	DESCRIPTION	25s
7	Conveyor	20055453
12	Flue drain connection	R10028421
20	Outlet nut	20026049
26	Plug	20026058
67	Drain plug	20000118
75	Flue clector	20026056
370	O ring	R10023533
487	Washer Ø 60	R10026345
552	Washer Ø 60	R10028426
637	Flue sensor	20007050
686	Washer	20026059
700	Combustion cable	20025736

Rev	Data	Descrizione
1.0	30/04/2015	Aggunte trasformazioni gas – Corretto codice vaso espansione
2.0	30/11/2015	E00120150290: tappo degasatore 2 fori – E00120150787: diaframma gas , trasformazioni gas
3.0	07/04/2016	Aggiunta guarnizione bruciatore
4.0	06/12/2016	Corrette trasformazioni gas (e gestione matricola)rif.E00120150787– aggiunta staffa fiss.vaso esp. Corretto disegno coperchio camera combustione – aggiunta molletta fissaggio tappo degasatore
5.0	07/02/2017	E00120170040 : Nuovo Brand Vokera by Riello – E00120170020 : Idrometro
6.0	20/07/2017	E00120170407 : coperchio corpo by-pass – E00120170341 : valvola sfogo aria E00120170129: circolatore
7.0	28/09/2017	E00120170441: vaso espansione



Vokera reserve the right to change the specifications without prior notice.
Consumers' statutory rights are not affected.