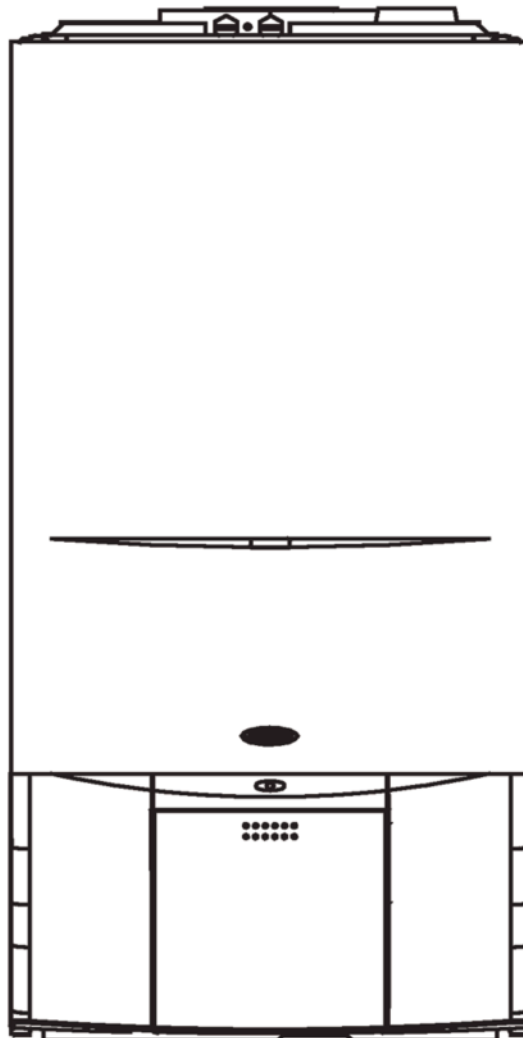


# Linea 24 Mark 2

Serial Number 161380001 onwards



Controls and Accessories	Part Number	Controls and Accessories	Part Number
CLOCK - MECHANICAL	201	CLOCK - DIGITAL	202
CONVERSION KIT LPG - NG	01005225	CONVERSION KIT NG - LPG	0594
HORIZONTAL FLUE TERMINAL	2359029	VERTICAL FLUE TERMINAL	2359039

# Case Components

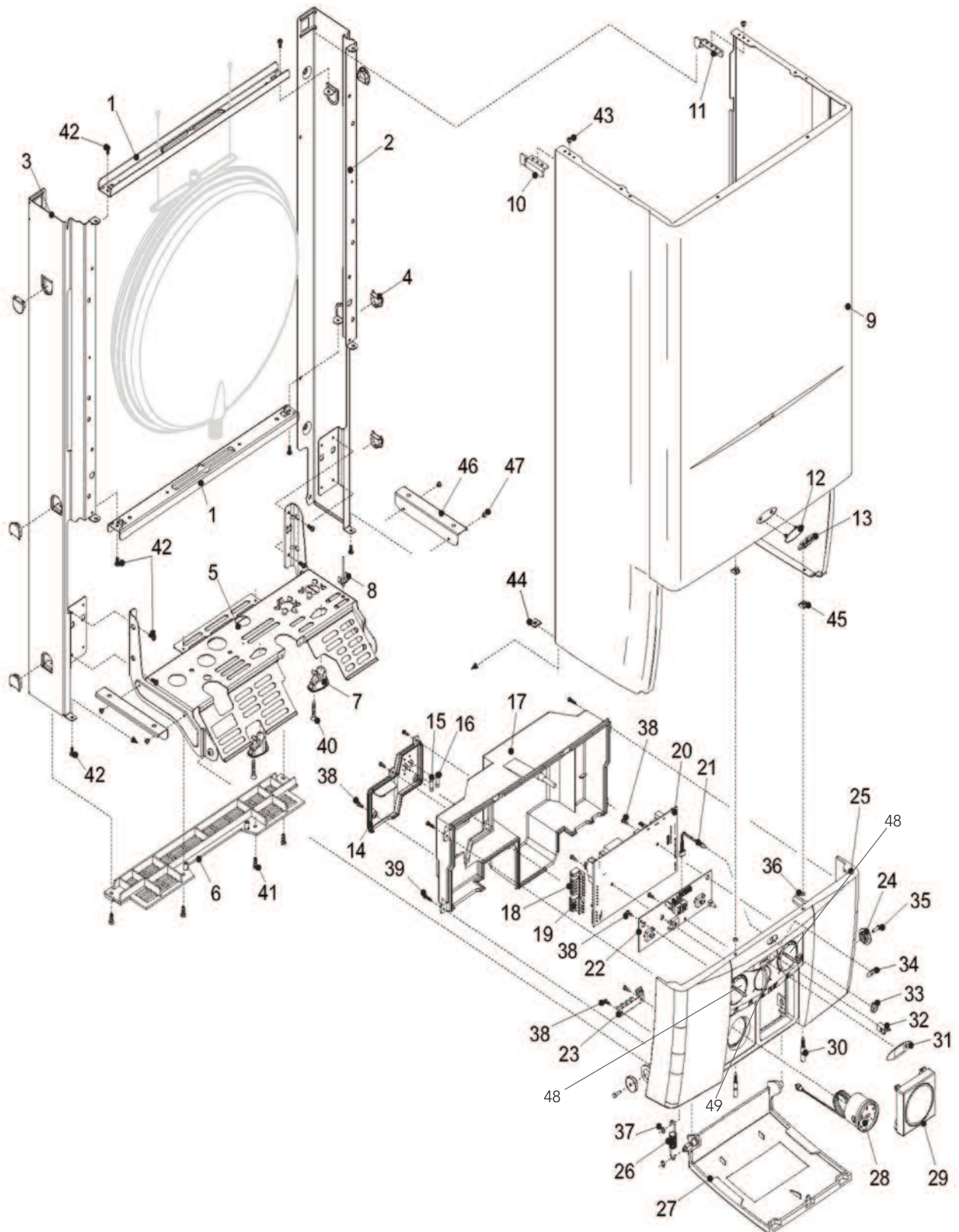
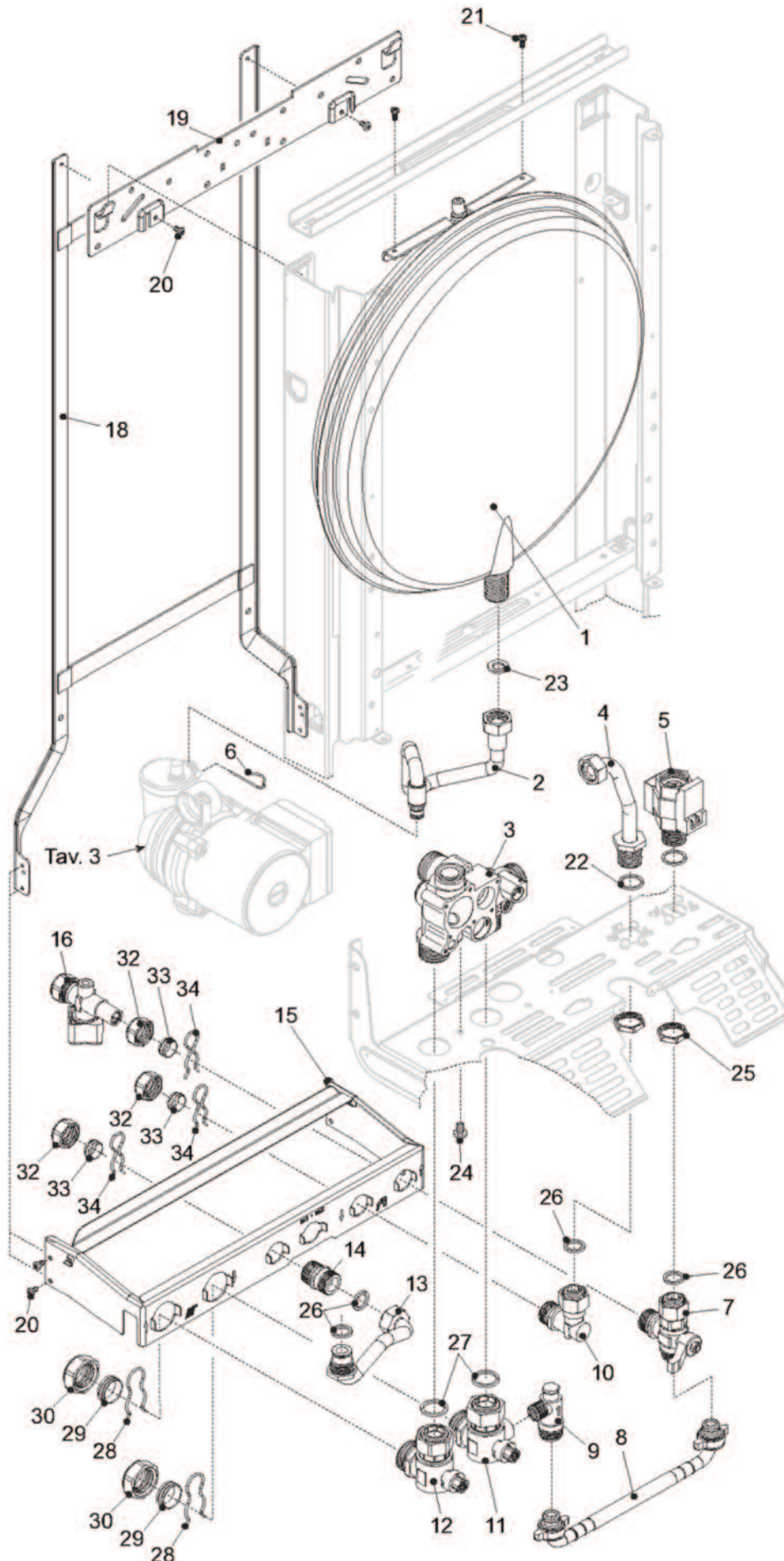


Table on next page

## Case Components - Table

Position	Description	Part Number
1	EXPANSION VESSEL PLATE	1829
2	FRAME RH	1777
3	FRAME LH	1778
4	CAP	2127
5	DISTRIBUTION PANEL	1533
6	FINGER GUARD	1913
7	CABLE ENTRY	5371
8	RIVET	5037
9	WHITE CASING	1880
10	CASING HOOK LH	1882
11	CASING HOOK RH	1881
12	LOGO SUPPORT	10020308
13	VOKERA LOGO	1781
14	TERMINAL COVER	1850
15	2A FUSE	8968
16	100 MA FUSE	1947
17	PCB COVER	1849
18	PCB CONNECTOR BLOCK (LARGE)	1780
19	PCB CONNECTOR BLOCK (SMALL)	1895
20	MAIN PCB	10020907
21	LED (BI-COLOR)	1858
22	DISPLAY PCB	10024558
23	EARTHING STRIP	10020488
24	PLASTIC BUSH	10023044
25	CONTROL PANEL	10021951
26	SPRING	1862
27	FRONT FLAP	1498
28	PRESSURE GAUGE	1857
29	CLOCK BLANKING PLATE	8654
30	CAPTIVE SCREW M4	1867
31	LED LENS (DISPLAY)	1865
32	SPRING CATCH	1864
33	PLASTIC CAP	1861
34	LED LENS	1866
35	RIVET 32MM X 12MM	5168
36	O-RING	1869
37	CIRCLIP	5174
38	SELF THREADING SCREW 2.9MM 9.5MM	5169
39	SELF THREADING SCREW 2.9MM X 13MM	5219
40	SELF THREADING SCREW 4.8MM X 25MM	5171
41	SELF THREADING SCREW 3.9MM X 13MM	5080
42	SELF THREADING SCREW 3.9MM X 9.5MM	5079
43	RIVET 3.2MM X 7MM	5093
44	EDGE CLIP	5128
45	CAPTIVE NUT M4	5230
46	BLOCK FLANGE	1934
47	RIVET 2.9MM X 7MM	5222
48	TEMPRATURE CONTROL KNOB	1859
49	MODE SELECTOR KNOB	1860
-	CLIP FOR EXPANSION VESSEL	10027757

# Frame Assembly



## Frame Assembly - Table

Position	Description	Part Number
1	EXPANSION VESSEL WITH PIPE	1830
2	EXPANSION VESSEL PIPE	1850
3	HYDRAULIC MANIFOLD	2916
4	HW OUTLET PIPE	8460
5	DHW FLOW SWITCH	1488
6	CAP	4612
7	COMBINED STOP-VALVE & FILL-VALVE	1786
8	FLEXIBLE HOSE	1794
9	NON-RETURN VALVE	10020871
10	DHW CONNECTION	1790
11	FLOW SERVICE VALVE	1788
12	RETURN SERVICE VALVE	1789
13	SAFETY VALVE CONNECTION	10023643
14	SCREWED NIPPLE ° IN. BSP	1793
15	PLATE - ISOLATION VALVES	10020216
16	ADJUSTABLE STOPCOCK	1749
18	FIXING JIG SUPPORT	10020525
19	WALL MOUNTING BRACKET	1783
20	SELF THREADING SCREW 3.9MM X 6.5MM	5078
21	SELF THREADING SCREW 3.9MM X 9.5MM	5079
22	1/2 IN FIBRE WASHER	5208
23	SEAL 38X27	5203
24	SCREW M6 X 10MM	5124
25	SEAL 16X12	5042
26	1/2 IN BSP LOCKNUT	4274
27	1/2 IN FIBRE WASHER	5236
28	CLIP	1820
29	22MM COMPRESSION OLIVE	1822
30	22MM COMPRESSION NUT	1824
32	15MM COMPRESSION NUT	1823
33	15MM COMPRESSION OLIVE	1821
34	SPRING CLIP	1890

# Hydraulic Components

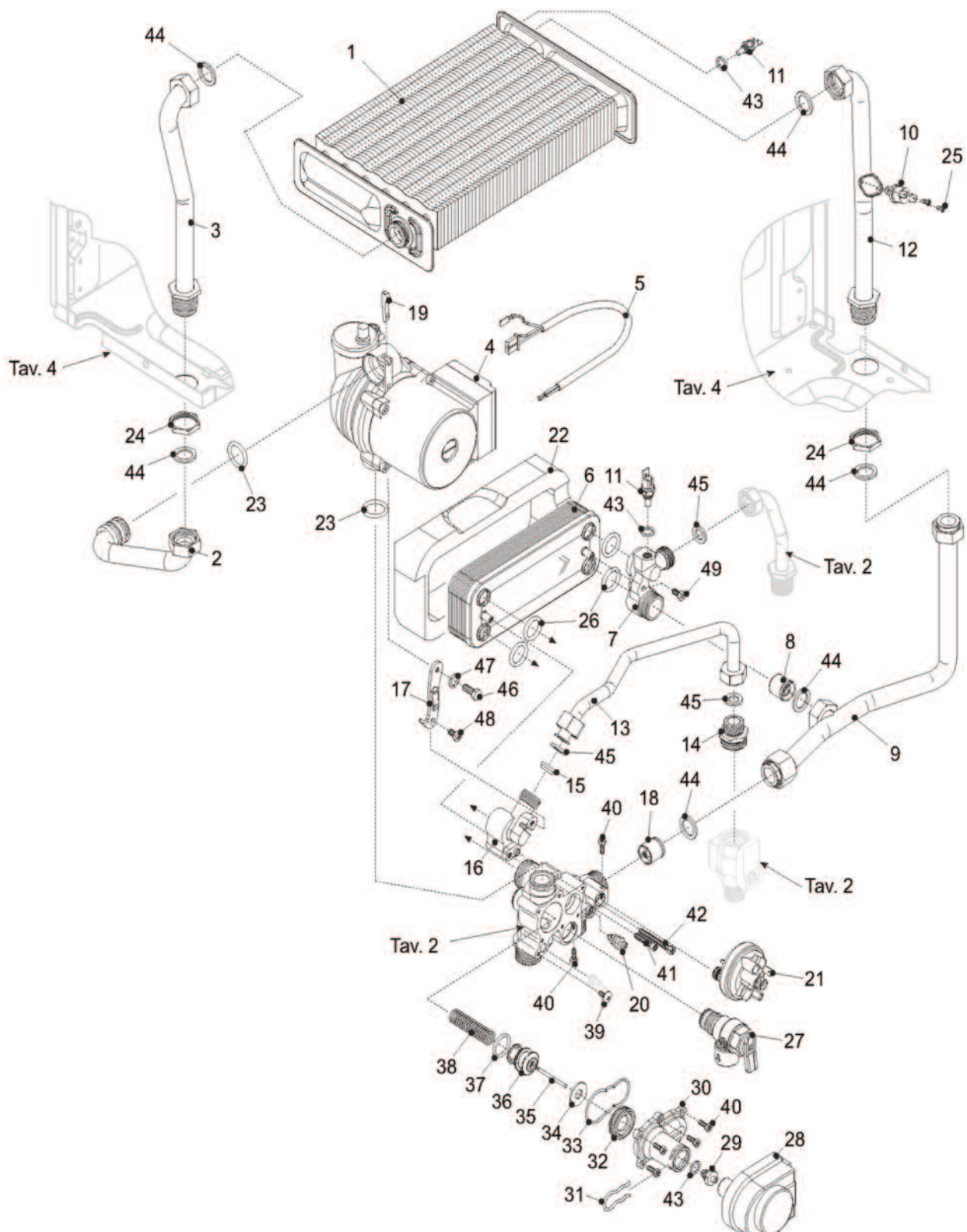
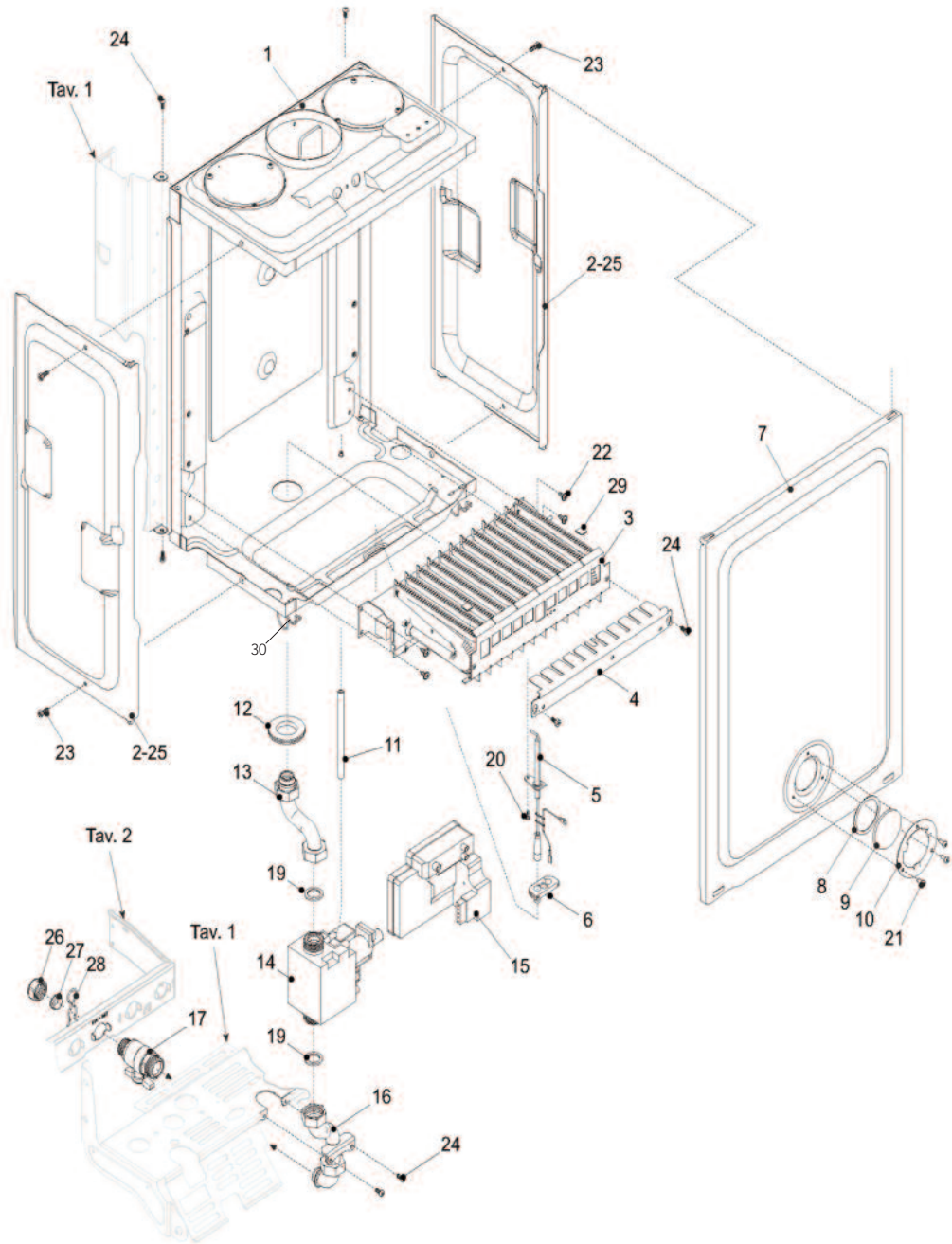


Table on next page

## Hydraulic Components - Table

Position	Description	Part Number
1	MAIN HEAT EXCHANGER	01005245
2	RETURN PIPE	1848
3	RETURN PIPE	1847
4	PUMP (COMPLETE)	10021792
5	PUMP CABLE	1845
6	DHW HEAT EXCHANGER	8036
7	DHW OUTLET MANIFOLD	9807
8	NON-RETURN VALVE	2908
9	FLOW DISTRIBUTION PIPE	1849
10	HIGH LIMIT THERMOSTAT	2258
11	NTC THERMISTOR	10027352
12	FLOW PIPE	1846
13	COLD INLET PIPE	1779
14	DHW FLOW SWITCH CONNECTION	2946
15	FLOW RESTRICTOR (WHITE)	8008
16	DHW INLET MANIFOLD	2903
17	BRACKET	2940
18	BY PASS VALVE	2047
19	SECURING CLIP	9263
20	VENTING PLUGS KIT	01005133
21	WATER PRESSURE SWITCH	10028141
22	HEAT EXCHANGER JACKET	20007057
23	O RING	6898
24	LOCKNUT 3/4	4026
25	SCREW	5077
26	O'RING	7999
27	SAFETY VALVE	1806
28	MOTORISED VALVE (ACTUATOR)	2905
29	FRONT SEAL	6919
30	DIVERTER VALVE COVER	10020335
31	LOCKING PIN	2906
32	BRASS PLATE	7134
33	GASKET	8444
34	O' RING	2913
35	PUSH-ROD	6887
36	BOBBIN	2910
37	O-RING	6895
38	SPRING	6862
39	PRESSURE GAUGE SECURING SCREW M4	6903
40	SCREW 12MM X M4	5184
41	SCREW 42MM X M5	5214
42	SCREW 25MM X M5	5213
43	ALUMINIUM WASHER	5041
44	3/4 IN FIBRE WASHER	5023
45	1/2 IN FIBRE WASHER	5026
46	SCREW 16MM X M6	5228
47	WASHER	5111
48	SCREW 10MM X M5	5092
49	SCREW 10MM X M5	5235

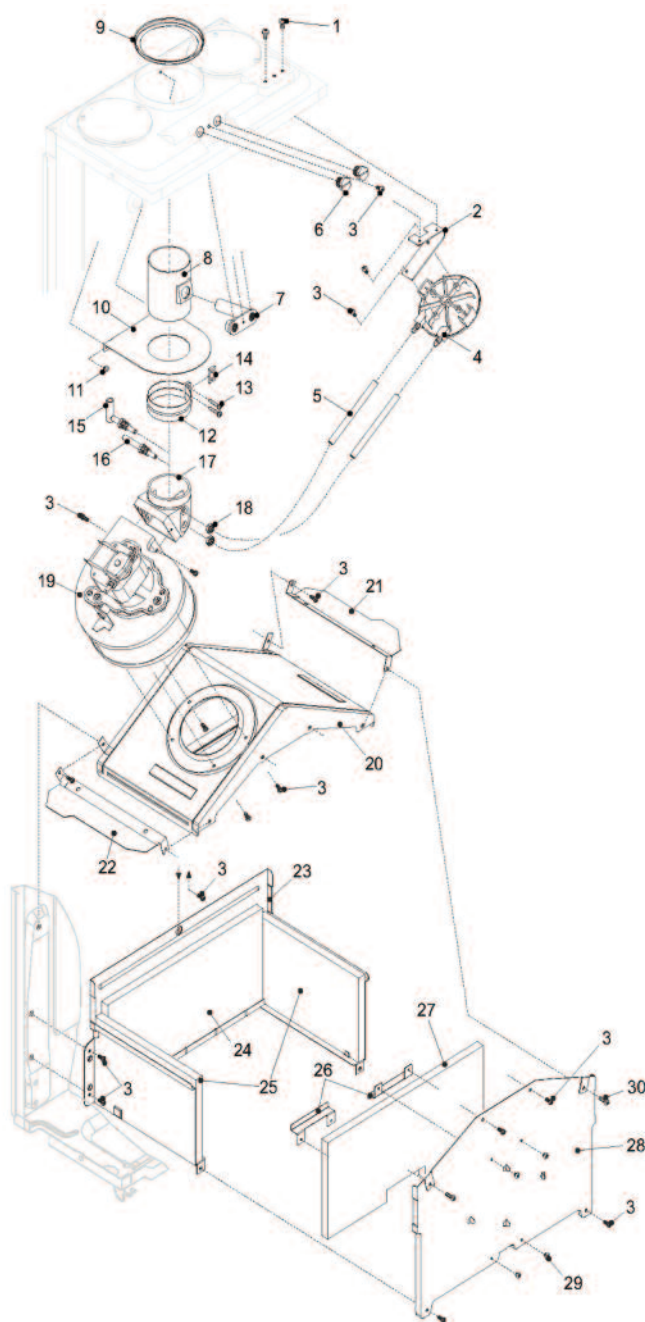
# Air Box Components



Position	Description	Part Number	Position	Description	Part Number
1	AIR CHAMBER	2072	15	IGNITION CONTROL BOX	1837
2	AIR CHAMBER SIDE PANEL	2374	16	GAS VALVE INLET PIPE	1840
3	BURNER (NATURAL GAS)	10020104	17	GAS COCK	1787
3	BURNER (LPG)	5297	19	SEAL 24X17	5023
4	CROSS-LIGHTING STRIP	2068	20	SELF THREADING SCREW 2.9MM X 9.5MM	5169
5	ELECTRODE	1838	21	RIVET 2.9MM X 7MM	5222
6	GROMMET	1835	22	SELF THREADING SCREW 3.9MM X 9.5MM	5212
7	AIR CHAMBER FRONT PANEL	1531	23	SELF THREADING SCREW 3.9MM X 9.5MM	5180
8	SIGHT GLASS GASKET	5072	24	SELF THREADING SCREW 3.9MM X 9.5MM	5079
9	SIGHT GLASS	3139	25	AIR CHAMBER SEAL	5905
10	SIGHT GLASS RETAINING RING	4007	26	15MM COMPRESSION NUT	1823
11	COMPENSATOR TUBE	1457	27	15MM COMPRESSION RING	1821
12	GROMMET	5927	28	LOCKING CLIP	1890
13	GAS VALVE OUTLET PIPE	1839	29	CLIP	5172
14	GAS VALVE	20035533	30	AIR BOX CLIP	0442



# Combustion Components



Position	Description	Part Number
1	SCREW 3.5MM X 9.5MM	5231
2	AIR PRESSURE SWITCH BRACKET	9805
3	SCREW 3.9MM X 9.5MM	5079
4	AIR PRESSURE SWITCH	01005272
5	SILICONE TUBE	1457
6	COMBUSTION TEST NIPPLE SCREW	8086
7	COMBUSTION TEST NIPPLE	10026933
8	FLUE TUBE	8083
9	RESTRICTOR RING	5922
10	AIR DEFLECTOR	5923
11	RIVET 3.9MM X 7MM	5094
12	FLUE CLIP	7315
13	SCREW 3.9MM X 9.5MM	5081
14	SEAL	7317
15	VENTURI (NEGATIVE)	7948

Position	Description	Part Number
16	VENTURI (POSITIVE)	6985
17	FAN TO FLUE CONNECTOR	6228
18	VENTURI LOCKNUT	4807
19	FAN	5910
20	FLUE HOOD	1842
21	AIR BAFFLE RH	1843
22	AIR BAFFLE LH	1844
23	COMBUSTION CHAMBER	6027
24	REAR INSULATION PANEL	5270
25	SIDE INSULATION PANEL	5271
26	SUPPORT BRACKET	5279
27	FRONT INSULATION PANEL	5269
28	COMBUSTION COVER (FRONT)	5908
29	RIVET 3.2MM X 7MM	5093
30	SCREW 3.9MM X 13MM	5080