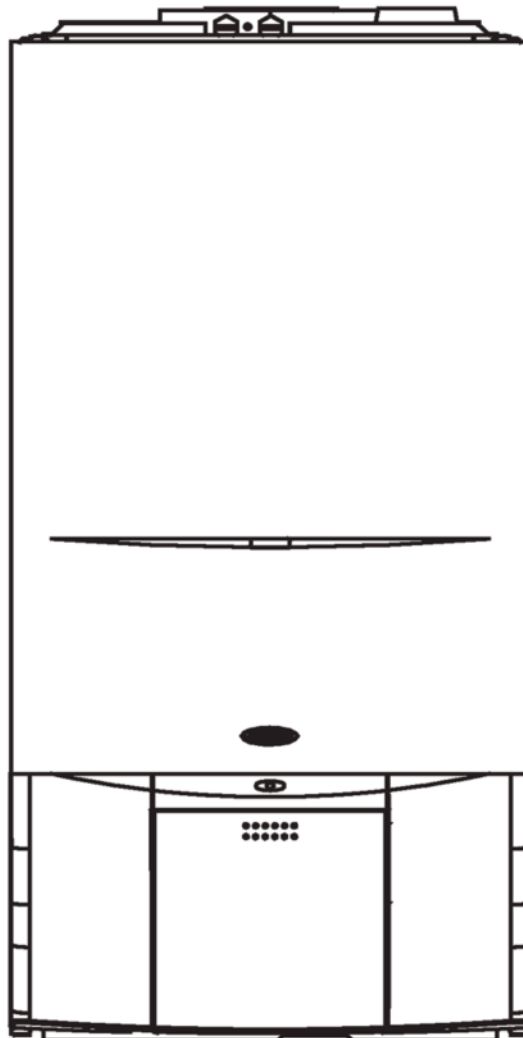


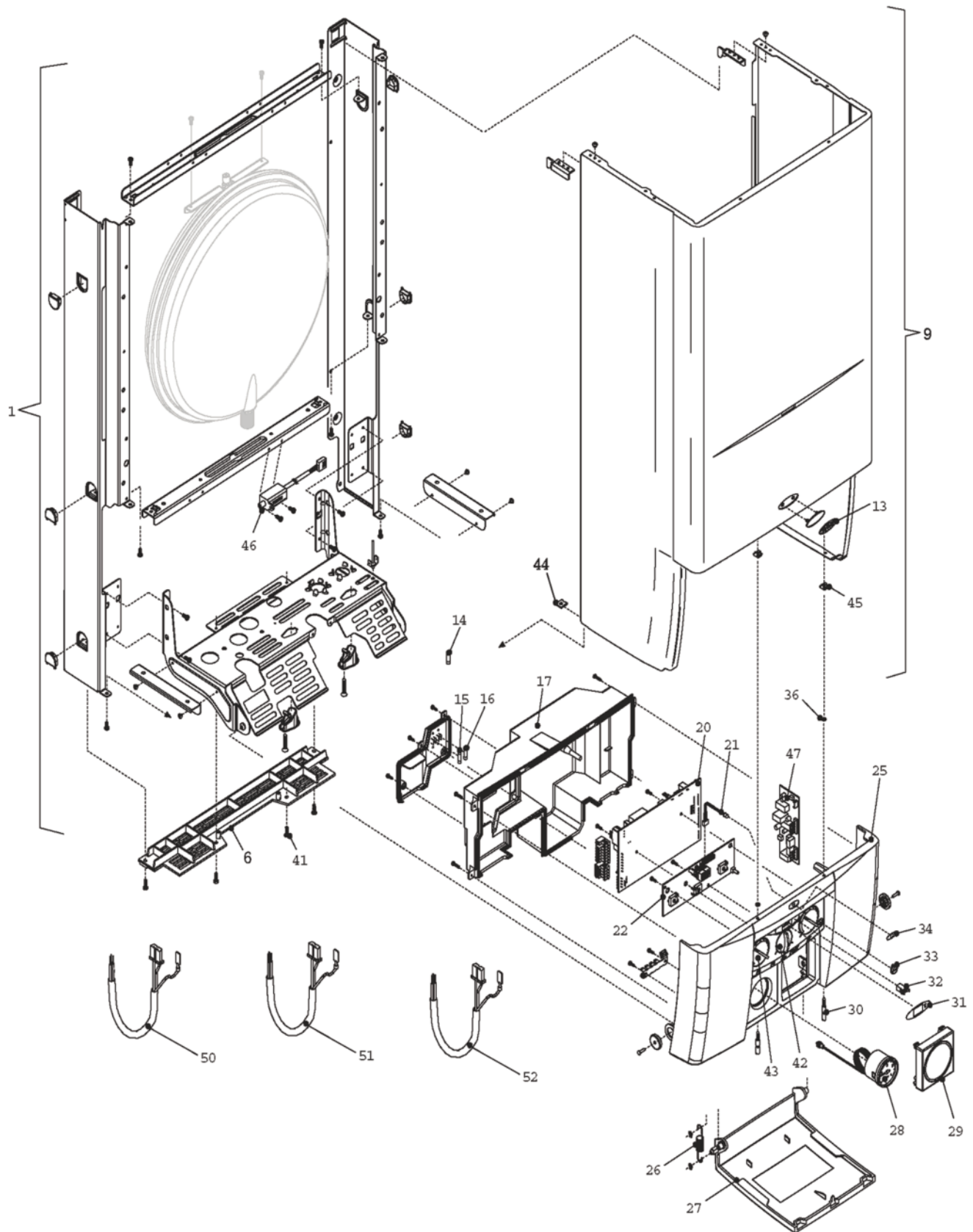
Linea 28 Mark 3

Serial Number with X in



Controls and Accessories	Part Number	Controls and Accessories	Part Number
CLOCK - MECHANICAL	201	CLOCK - DIGITAL	202
CONVERSION KIT LPG - NG	01005225	CONVERSION KIT NG - LPG	0594
HORIZONTAL FLUE TERMINAL	2359029	VERTICAL FLUE TERMINAL	2359039

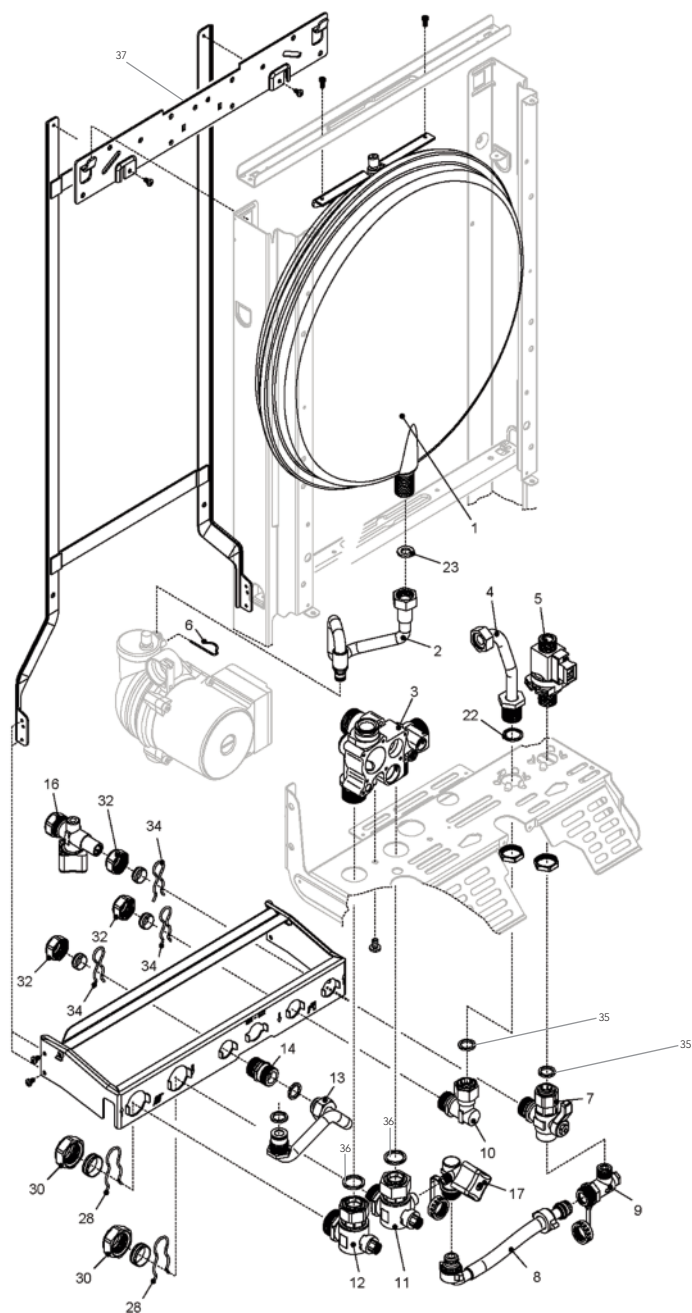
Case Components



Case Components - Table

Position	Description	Part Number
1	FRAME	01005134
6	GUARD	1913
9	CASE	1922
13	PLASTIC TRADE MARK LABEL	1871
15	2A FUSE	8968
16	100 MA FUSE	1947
17	COVER	10021849
20	MAIN PRINTED CIRCUIT BOARD	10021847
21	LED LIGHT GUIDE	1858
22	CONTROL PRINTED CIRCUIT BOARD	10024558
25	INSTRUMENTAL PANEL	10022015
27	DOOR PANEL	1498
28	PRESSURE GAUGE	1857
29	HOLE CAP	8654
30	PIN	1867
31	FILM FOR DISPLAY	1865
32	PUSH-PUSH COVER	1864
33	HOLE CAP	1861
34	PROTECTION FILM	1866
36	O-RING	1869
41	SCREW	5080
42	SELECTOR KNOB KIT	1860
43	CONTROL KNOB KIT	1859
44	EDGE CLIP	5128
45	NUT	5230
46	TRANSFORMER	10022659
47	IGNITION MODULE	10028891
50	M9 TO M2 RIBBON CABLE FROM MAIN PCB TO DISPLAY PCB	10021117
51	INTERNAL CLOCK WIRE	1980
52	CLOCK WIRE	1780

Frame Assembly



Position	Description	Part Number
1	EXPANSION VESSEL	2204
2	FLEXIBLE PIPE	10023603
3	HEATING DISTRIBUTOR MANIFOLD	10020439
4	PIPE	1631
5	DHW ACTUATOR	10022349
6	CLIP	10027757
7	WATER SUPPLY STOP COCK	10023567
8	FLEXIBLE PIPE	10023570
9	NON RETURN VALVE	10023569
10	CONNECTION	1790
11	HEATING COCK	10023566
12	HEATING COCK 22MM	1789
13	PIPE	10023643
14	NIPPLE	1793

Position	Description	Part Number
16	WATER SUPPLY STOP COCK	1749
17	WATER SUPPLY STOP COCK	10023568
22	WASHER	5208
23	WASHER	5026
28	CLIP	1820
30	NUT	1824
32	NUT	1823
34	CLIP	1890
35	WASHER	5236
36	WASHER	5237
37	HANGING BRACKET	1817
-	THREE WAY OVERHAUL KIT	01005127
-	SERVICE KIT INCLUDING DIAPHRAGM	T0063

Hydraulic Components

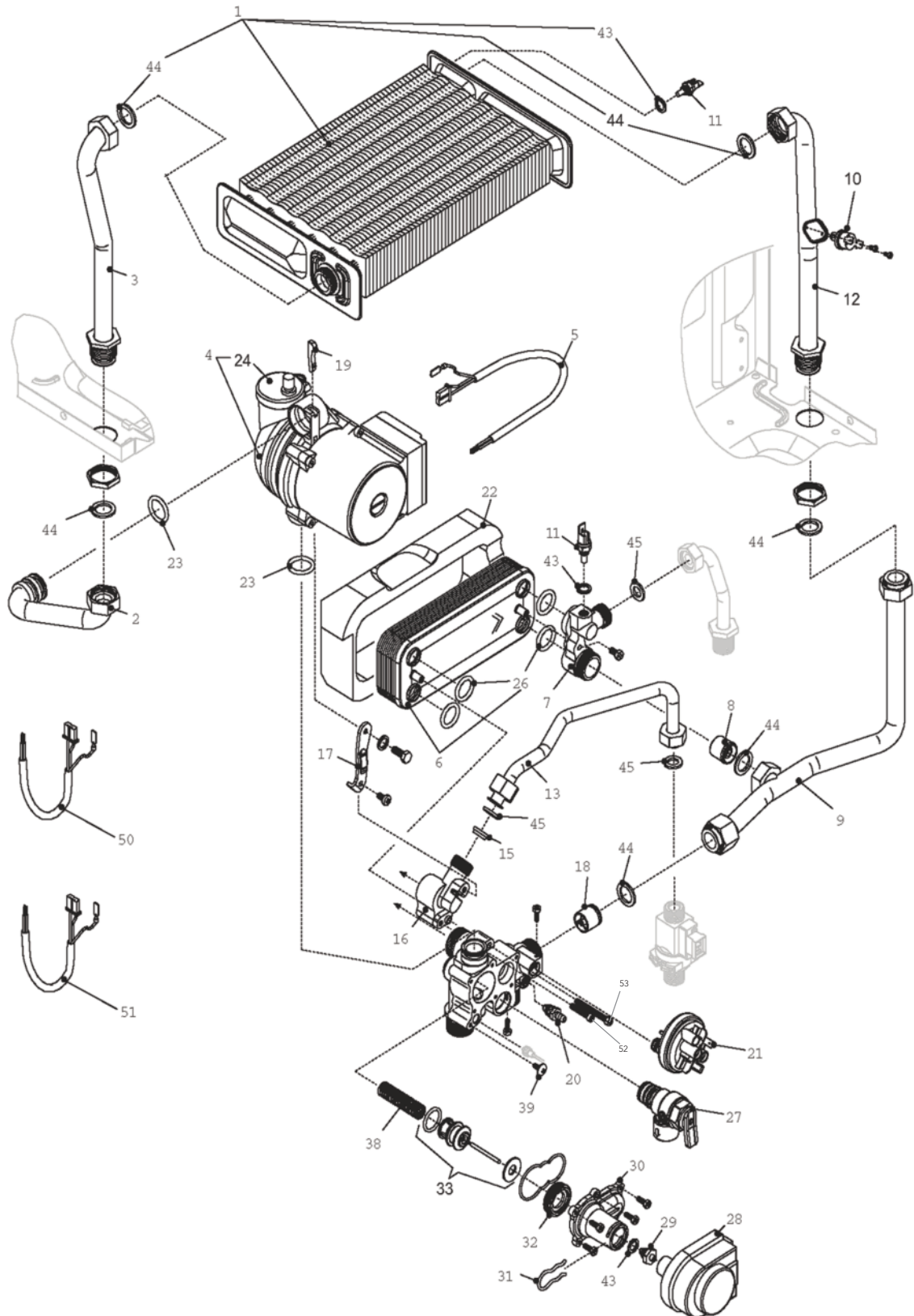
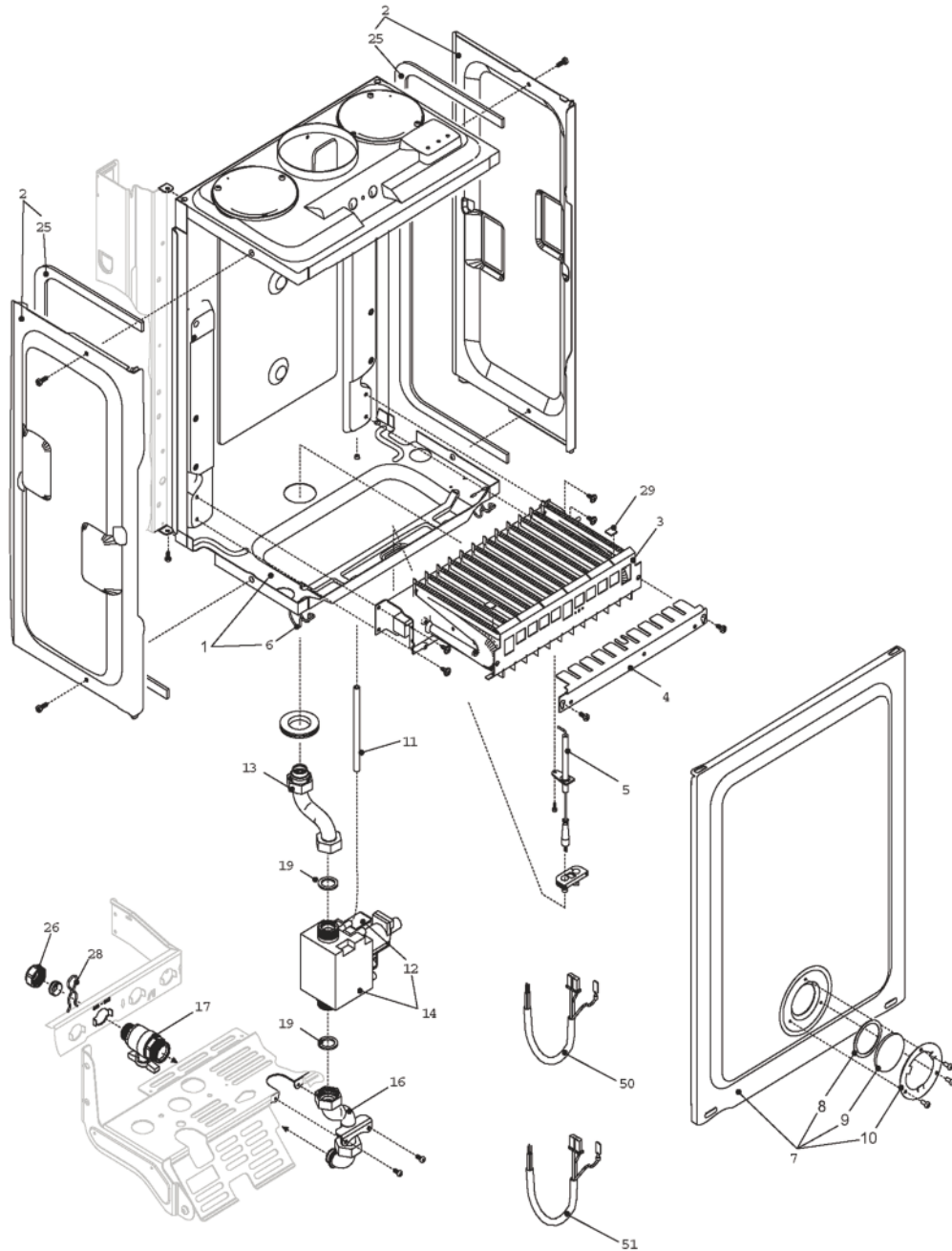


Table on next page

Hydraulic Components - Table

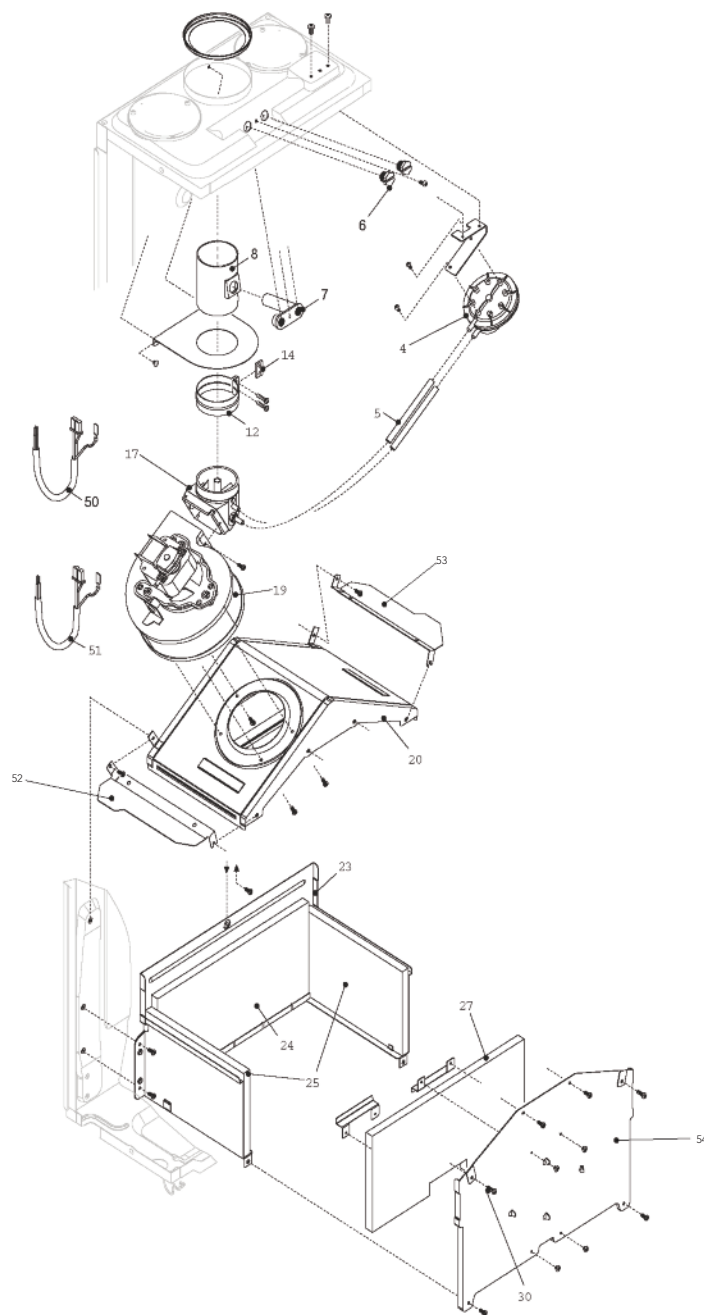
Position	Description	Part Number
1	HEAT EXCHANGER	01005246
2	PIPE	10023202
3	PIPE	1847
4	PUMP	10021792
5	M15 TO PUMP WIRING	1845
6	DHW HEAT EXCHANGER	8036
7	CONNECTION	9807
8	NON RETURN VALVE	2908
9	PIPE	10023203
10	HIGHT LIMIT THERMOSTAT	2258
11	NTC SENSOR	10027352
12	FLOW PIPE	10021041
13	PIPE	10022125
15	FLOW GOVERNOR (BLUE)	8009
16	CONNECTION	2903
17	BRACKET	2940
18	BY-PASS VALVE	2047
19	PUMP LOCK KEY	9263
20	VENTING PLUGS KIT	01005137
21	WATER PRESSURE SWITCH	10028141
22	HEAT INSULATOR	20007057
23	O RING	6898
24	AUTOMATIC AIR VENT BOTTLE	0439
26	O-RING	7999
27	SAFETY VALVE	1806
28	MOTORIZED VALVE	2905
29	O-RING CONNECTION	6919
30	THREE WAY VALVE COVER	10020335
31	FIXING FORK WRENCH	2906
32	SEATING PLATE	7134
33	THREE WAY VALVE OVERHAULT KIT	01005127
38	SPRING	6862
39	SCREW	6903
43	WASHER	5041
44	WASHER	5023
45	WASHER	5026
50	M5 TO DHW, WATER PRESSURE SWITCH & DHW FLOW SWITCH WIRING	10020530
51	WIRING TO M11 TO MOTORISED VALVE	1873
52	SCREW	5213
53	SCREW	5214

Air Box Components



Position	Description	Part Number	Position	Description	Part Number
1	AIR BOX BOTTOM	2073	12	GAS VALVE SOLENOID	20040675
2	AMBIDX AIR BOX SIDE	1549	13	GAS PIPE	1839
3	NG BURNER NP	5317	14	GAS VALVE	10025074
3	LPG BURNER NP	5319	16	GAS PIPE	1840
4	CROSS LIGHTING STRIP	2068	17	GAS COCK	1787
5	SPARK ELECTRODE	10025891	19	WASHER	5023
6	AIR BOX CLIP	0442	25	COMBUSTION CHAMBER SEAL	5905
7	COVER	10020216	26	NUT	1823
8	WASHER	5072	28	CLIP	1890
9	GLASS	3139	29	NG PLATE	5172
10	GLASS FLANGE	4007	50	M4 TO IGNITION PCB & GAS VALVE WIRING	10021947
11	SILICONE TUIBE	1457	51	M4 TO IGNITION PCB & MOD COIL	10022112

Combustion Components



Position	Description	Part Number	Position	Description	Part Number
4	PRESSURE DIFFERENTIAL SWITCH	01005272	24	COMBUSTION BACK PANEL	5316
5	SILICONE TUBE	1457	25	COMBUSTION LATERAL PANEL	5271
6	BRASS CAP	8086	27	COMBUSTION FRONT PANEL	5269
7	BLOCK WITH COMBUSTION CHECK	10026933	27	COMBUSTION FRONT PANEL	5315
8	FAN FLUE CONNECTION	8083	30	SELF TAPPING SCREW	5080
12	CLAMP FOR 60 DIAM. TUBE	7315	50	M12 TO FAN WIRING	1870
14	WASHER CLAMP	7317	51	M3 TO HEAT THERM, H/L STAT, BURNER	10020529
17	FAN TO FLUE CONNECTOR	10023183		STAT & ANALOGUE PD SWITCH WIRING	
19	FAN	5911	52	FAN BAFFLE - LEFT HAND	5951
20	HOOD ASSEMBLY	1842	53	FAN BAFFLE - RIGHT HAND	5951
23	COMBUSTION CHAMBER ASSEMBLY	6028	54	COVER - COMBUSTION CHAMBER	5909