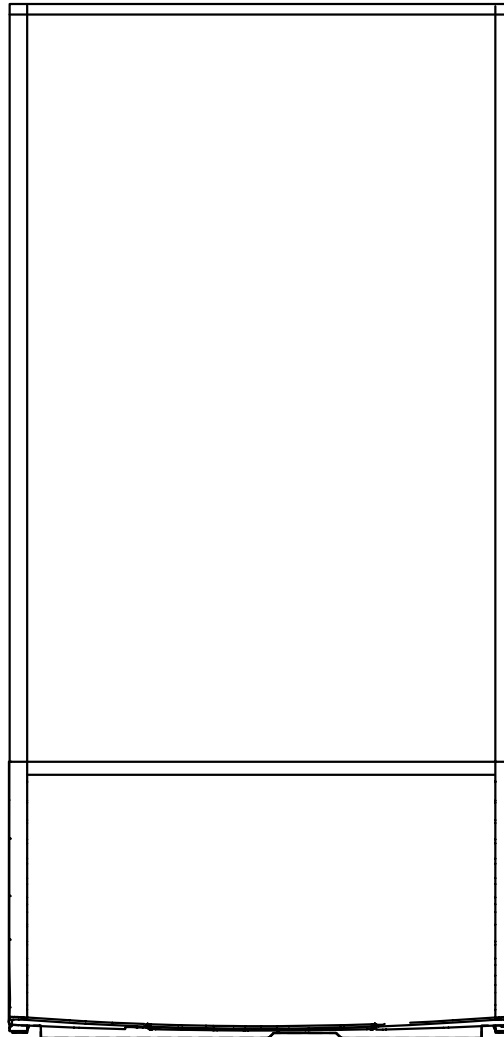
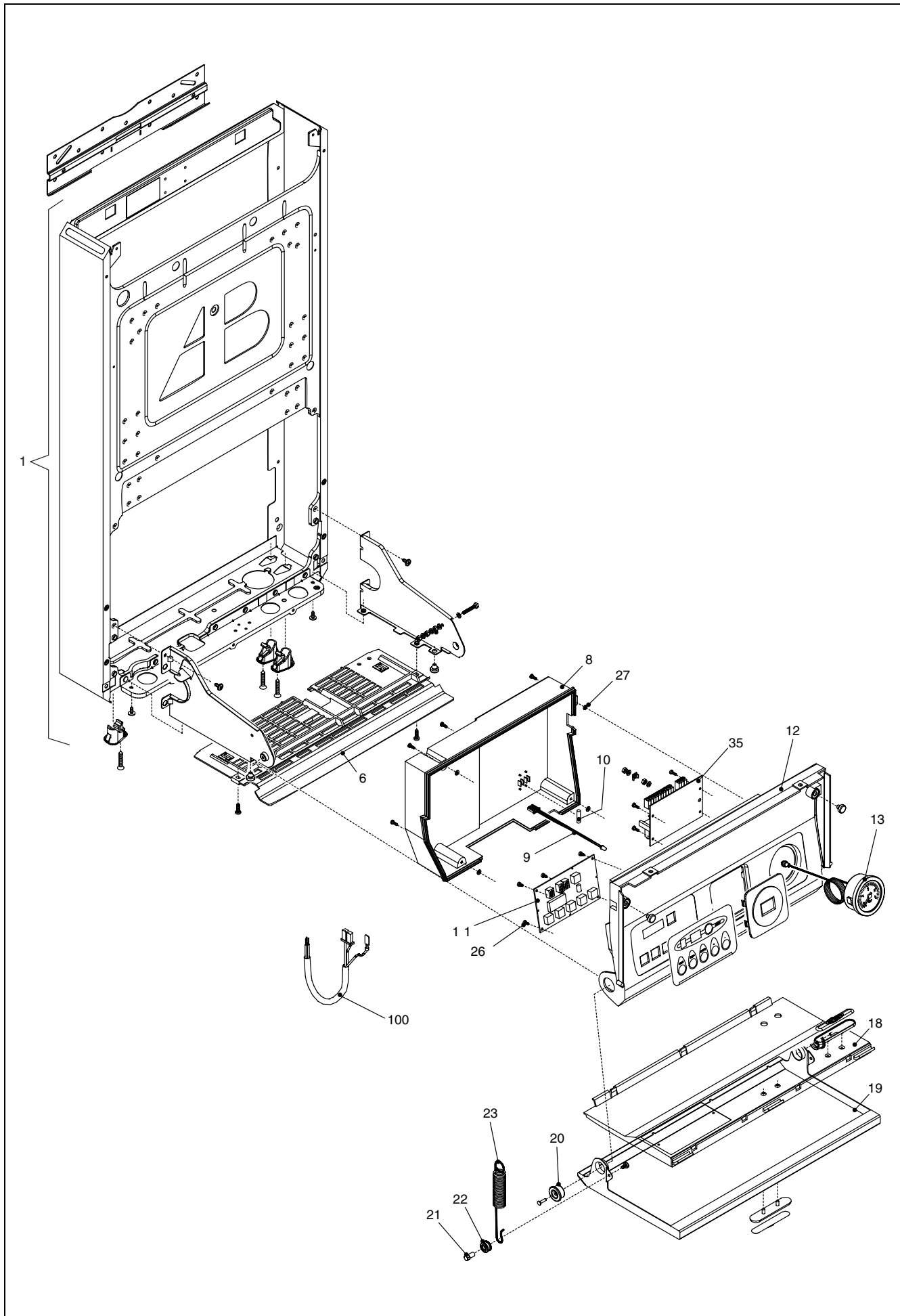


**Wall hung boilers**

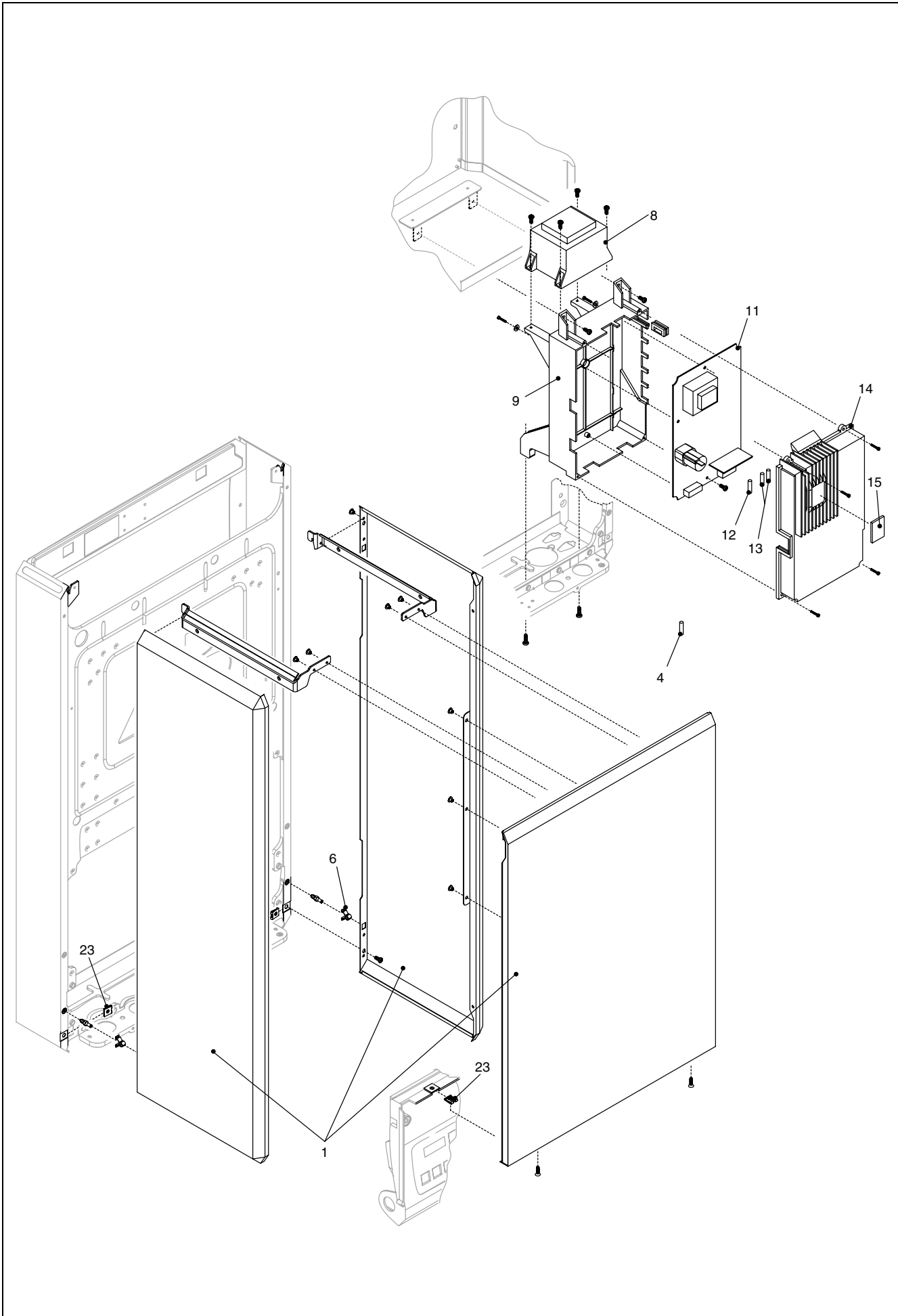
# Eclipse



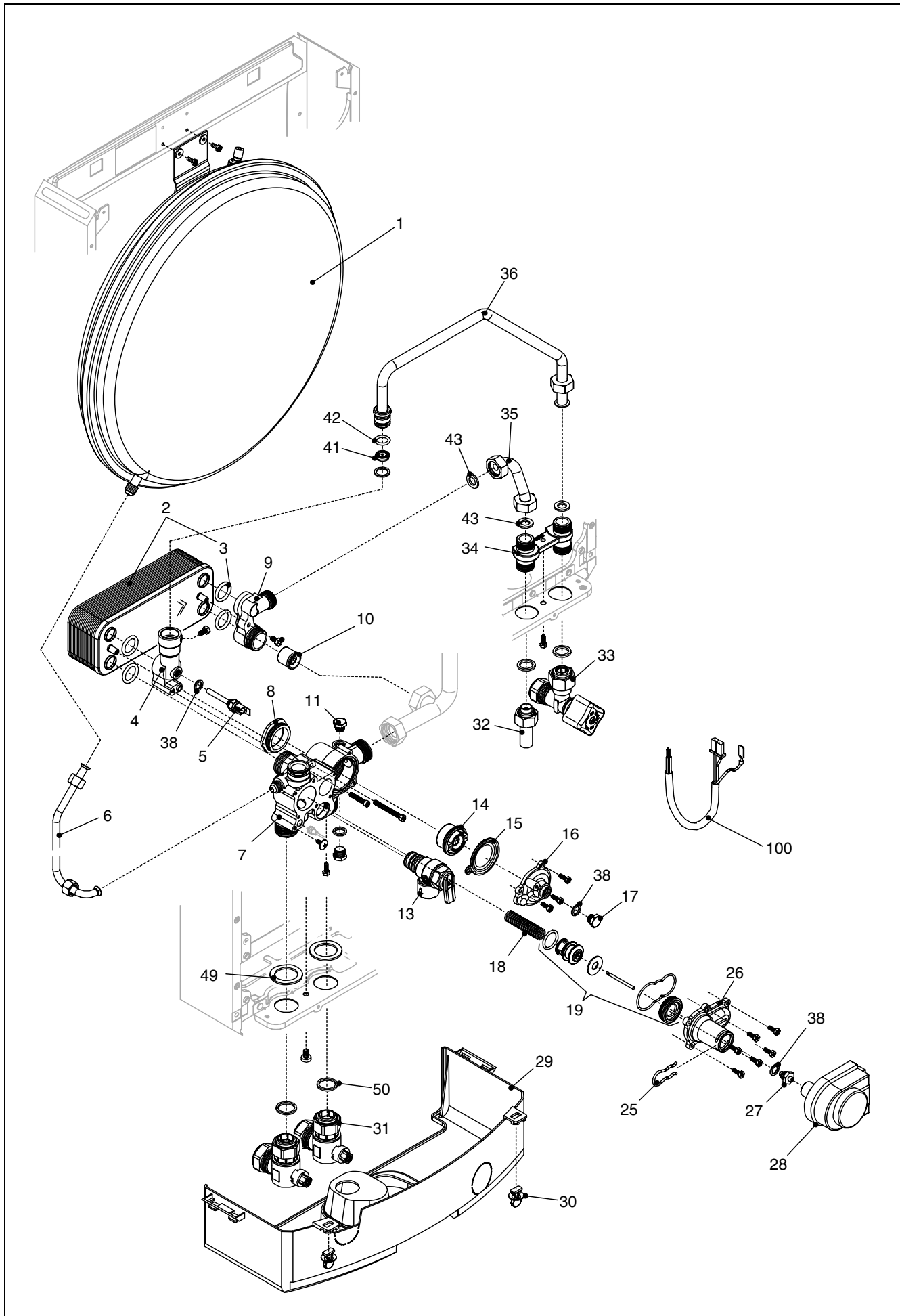
MODEL	PART NUMBER	
	MTN	GPL
<b>Eclipse 226 ESC</b>	<b>2350623</b>	-



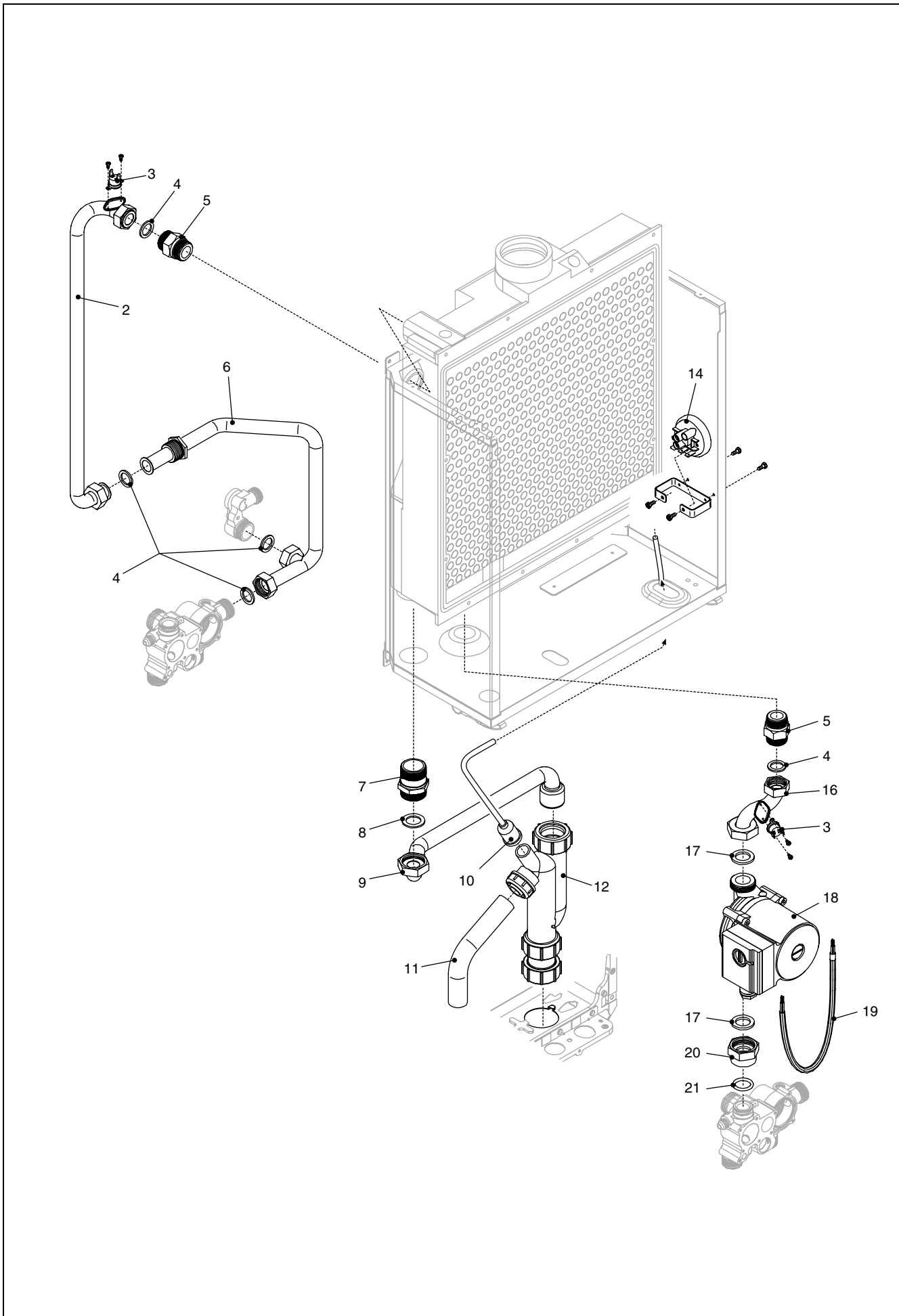
POS.	DESCRIPTION	226 ESC
1	Frame assembly	R8344
6	Guard	R9814
8	Cover	R8922
9	Green-red led	R8921
10	2A fuse	R8968
11	Instrumental panel display board	R8918
12	Instrumental plate	R8346
13	Quick primer pressure gauge	R8378
18	Door panel	R6160
19	Door panel	R5254
20	Flange	R5304
21	Pin	R5301
22	Pin	R5303
23	Spring	R5275
27	O ring	R9289
35	Printed circuit board	R1493
100	Electric connection band	R8932



POS.	DESCRIPTION	226 ESC
1	Case	R01005170
4	Fuse	R3478
6	Spring	R5588
8	Transformer	R1048
9	Printed circuit back semi-box	R1037
11	Printed circuit board	R1491
12	3,15A fuse	R8969
13	2A fuse	R8968
14	Printed circuit front semi-box	R8862
15	Black velcro	R1041
23	Clip	R5128

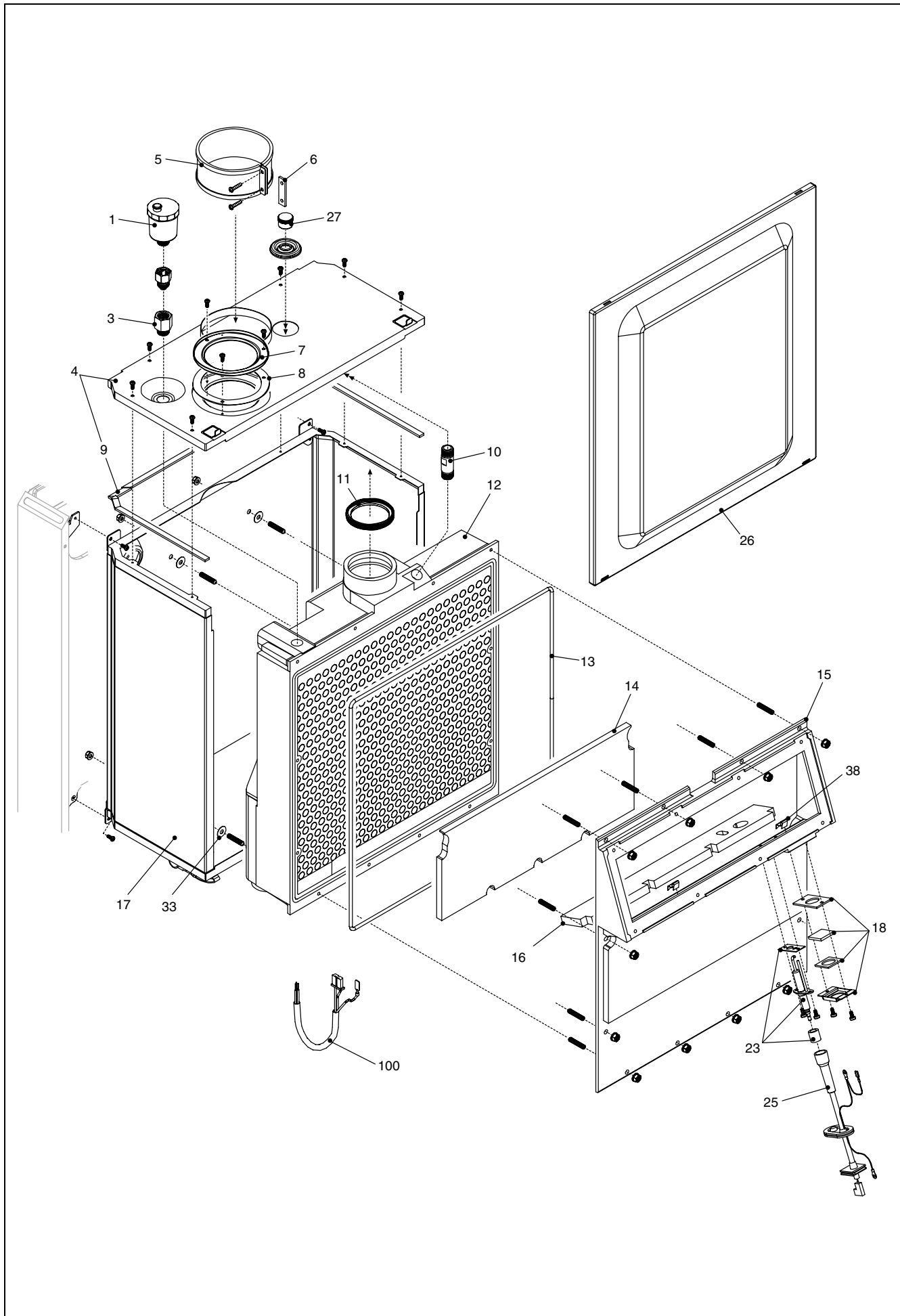


POS.	DESCRIPTION	226 ESC
1	Expansion vessel	R7204
2	Exchanger	R1957
3	O ring	R7999
4	Fitting/union	R8952
5	NTC sensor	R8855
6	Pipe	R7207
7	Heating distrib. manifold	R2916
8	Automatic by-pass plug	R2911
9	Fitting/union	R8432
10	Non return valve	R2908
11	Plug	R4611
13	Safety valve	R1806
14	Heating by-pass valve	R1734
15	Membrane	R6872
16	Cover	R6853
17	Plug	R8866
18	3 port valve spring	R6862
19	3 way valve overhaul kit	R01005127
25	Motorised valve fixing fork wrench	R2906
26	Water valve cover	R2904
27	OR union assembly bracket	R6919
28	Actuator	R2905
29	Cover	R7216
30	Fixing knob	R7172
31	3/4" heat water cock	R7100
32	Pipe	R4095
33	Water supply stop cock	R7099
34	Fitting/union	R8958
35	Pipe	R8956
36	Pipe	R8957
38	Washer	R5041
41	Flow governor	R8009
42	O ring	R8959
43	Washer	R5026
49	Washer	R5203
50	Washer	R5070
100	Wiring harness	R10022483

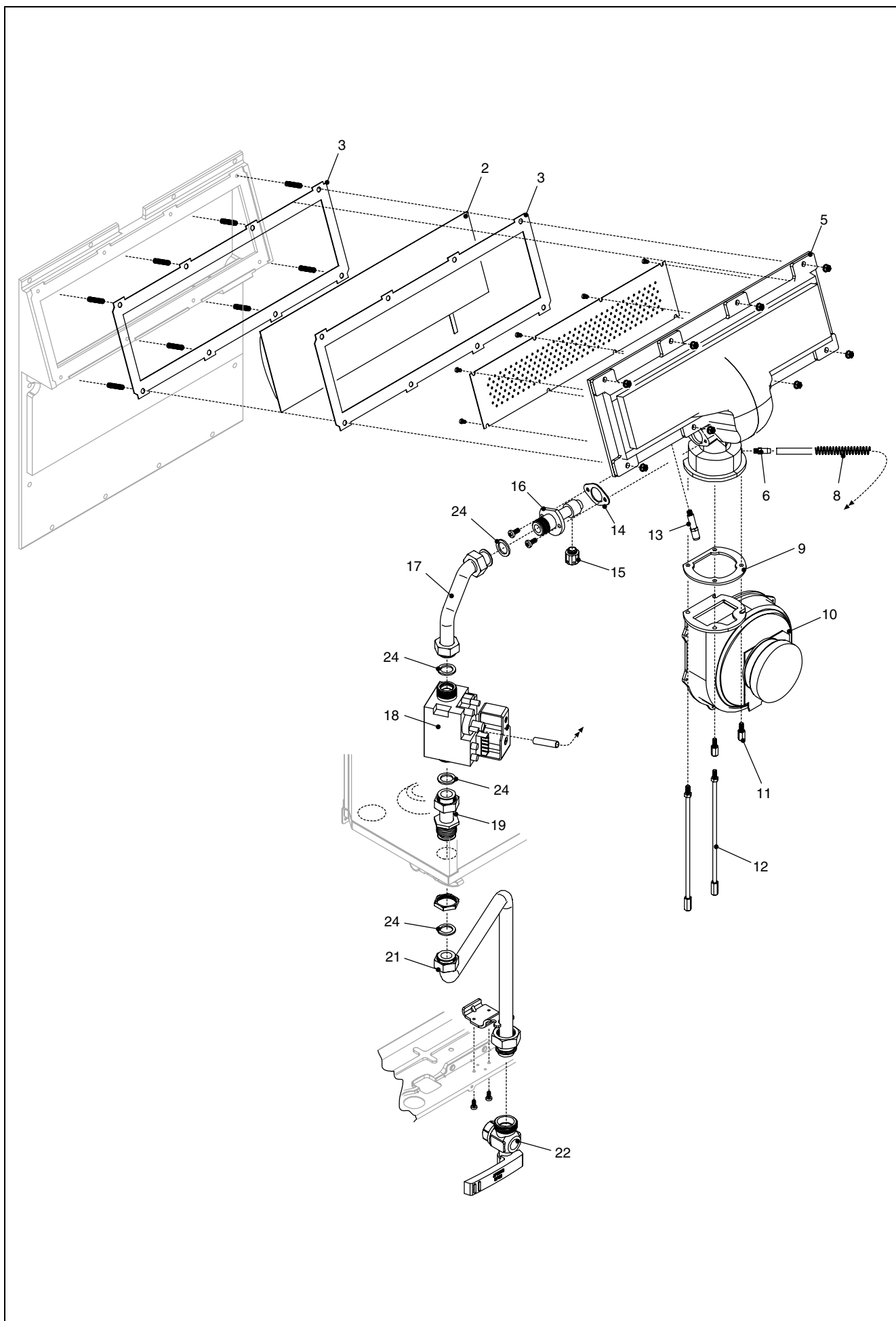




POS.	DESCRIPTION	226 ESC
2	Pipe	R1011
3	NTC sensor	R1194
4	Washer	R5023
5	Fitting/union	R8873
6	Pipe	R1013
7	Connection	R9730
8	Washer	R9732
9	Pipe	R9731
10	Tube	R10022570
11	Pipe	R1192
12	Siphon	R1191
14	Pressure differential switch	R10022556
16	Pipe	R8868
17	Washer	R6897
18	Pump	R8876
19	Pump cable	R1045
20	Fitting/union	R10022444
21	Ring	R6898



POS.	DESCRIPTION	226 ESC
1	Air vent bottle assembly	R9806
3	Fitting/union	R8911
4	Upper panel for air box	R8881
5	Clamp	R8675
6	Washer	R5920
7	Plug	R8084
8	Washer	R8975
9	Washer	R5905
10	Fitting/union	R8908
11	Washer	R8912
12	Condensing exchanger assembly	R8884
13	Washer	R9287
14	Exchanger lower insulation panel	R1193
15	Cover for heat exchanger	R1033
16	Exchanger lower insulation panel	R1016
17	Air box bottom	R10022672
19	Glass kit	R01005234
23	Spark electrode kit	R01005242
25	Spark electrode cable	R1044
26	Front panel for air box	R1035
27	Plug	R8909
33	Washer	R1022
38	Clip	R10021115
100	Wiring harness	R10022355



POS.	DESCRIPTION	226 ESC
2	Burner	R1196
3	Washer	R9285
5	Conveyor	R8886
6	Pressure connection	R8916
8	Spring	R9296
9	Washer	R8893
10	Fan	R10022853
11	Screw	R1006
12	Screw	R9292
13	Pressure connection	R8915
14	Washer	R9299
15	Main burner jet	R8970
15	Main burner jet	R9295
16	Nozzle holder	R1195
17	Gas pipe	R10022442
18	Gas valve	R10022441
19	Gas pipe	R10022443
21	Pipe	R9772
22	3/4" gas cock	R7098
24	Washer	R5023



---

Vokera reserve the right to change the specifications without prior notice.  
Consumers' statutory rights are not affected.