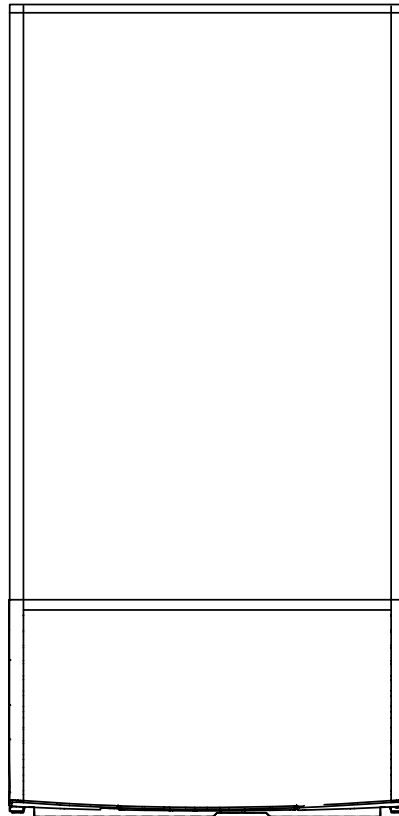
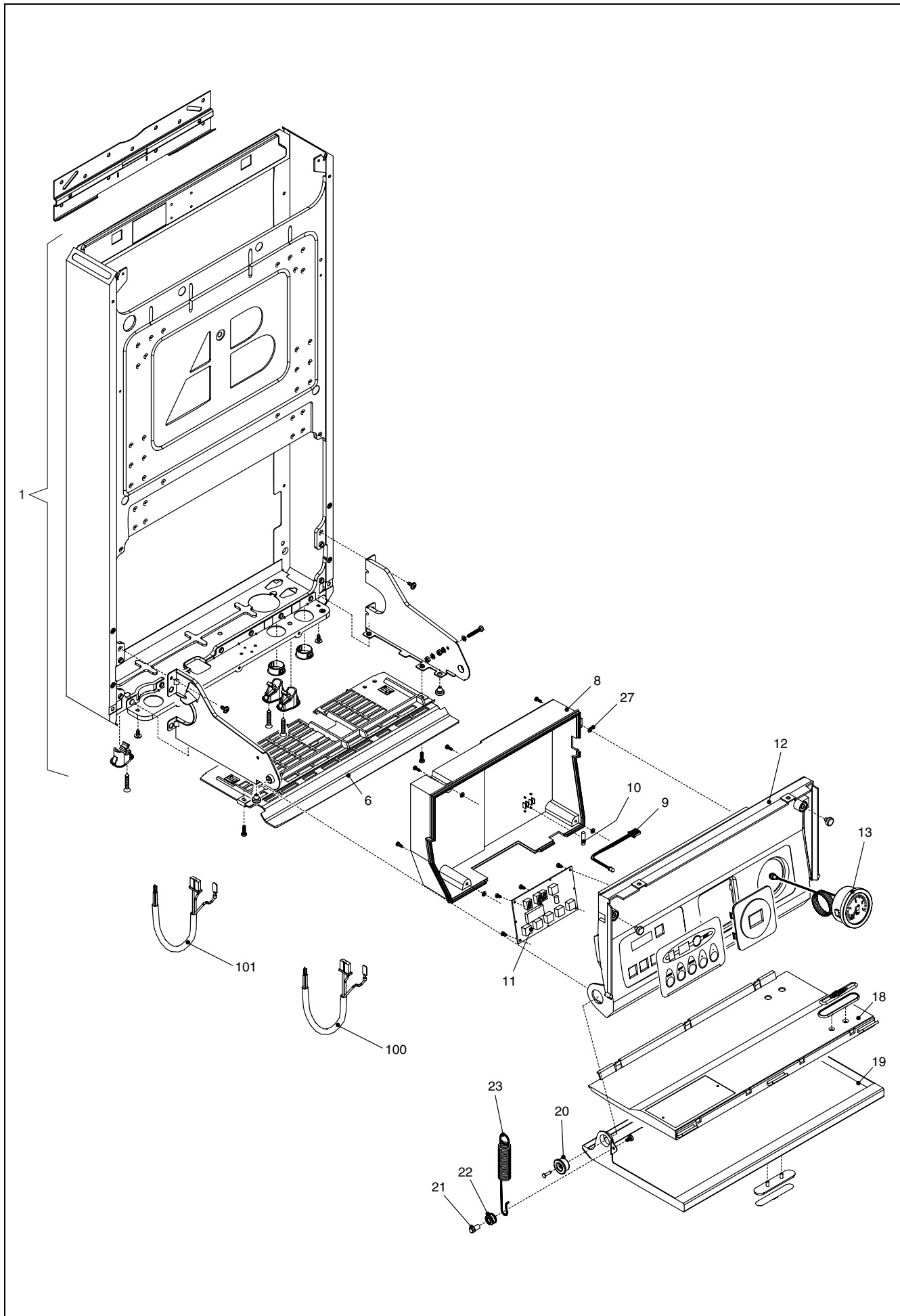


**Wall hung boilers**

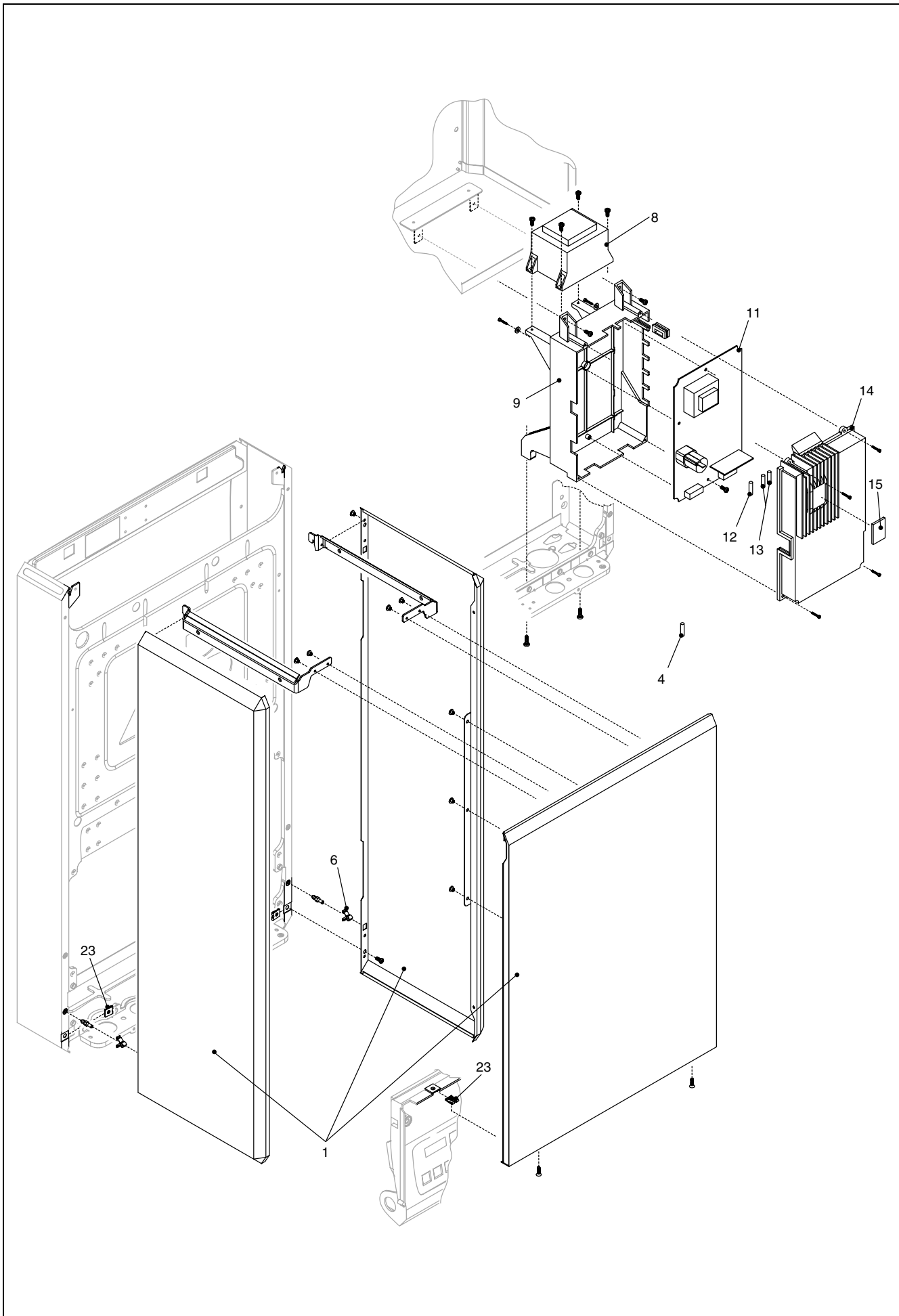
**Eclipse**



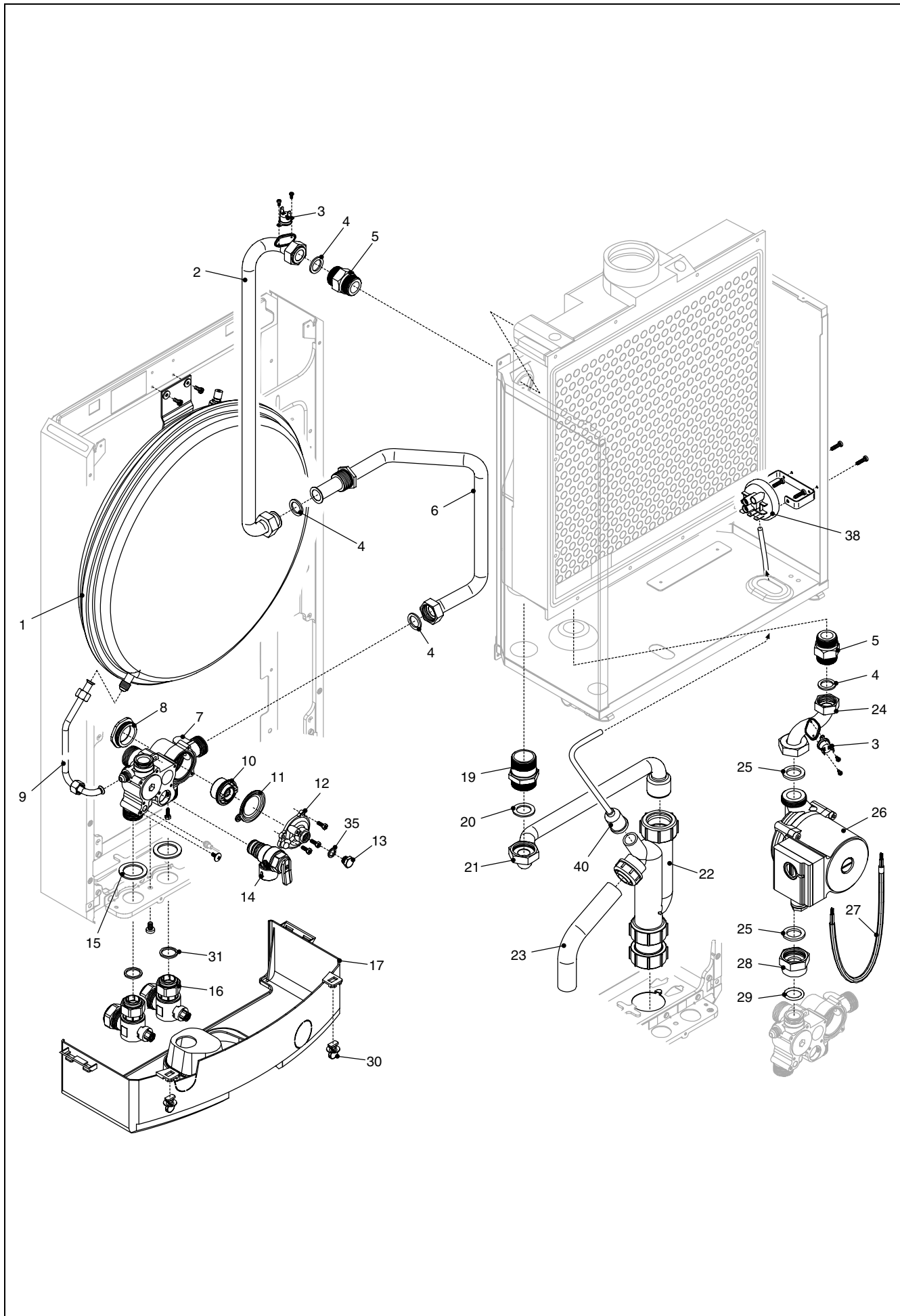
MODEL	PART NUMBER	
	MTN	GPL
<b>Eclipse 226 ESS</b>	<b>2350603</b>	-
<b>Eclipse 216 ESS</b>	<b>2350613</b>	-



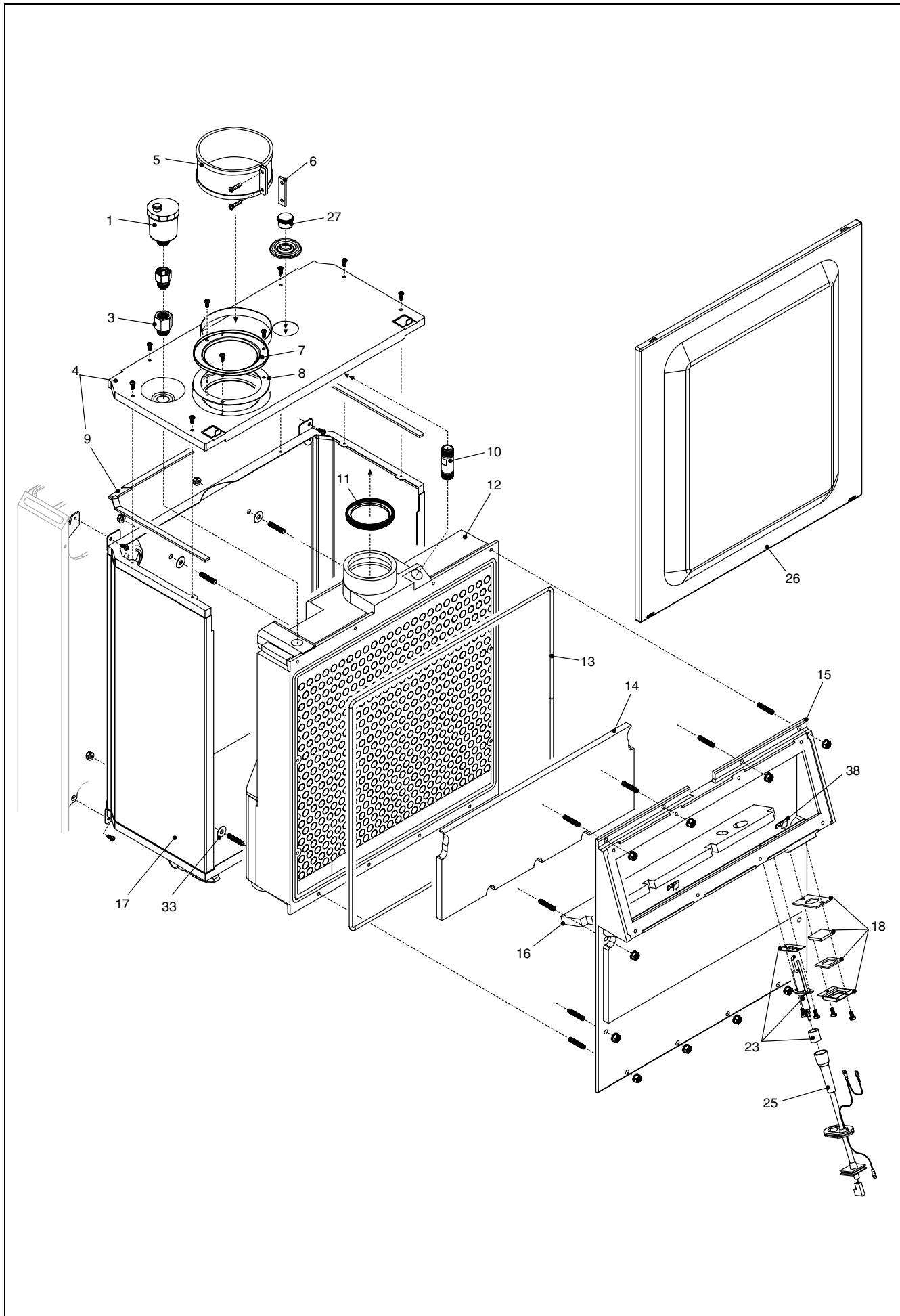
POS.	DESCRIPTION	226 ESS	216 ESS
1	Frame assembly	R8344	R8344
6	Guard	R9814	R9814
8	Cover	R8922	R8922
9	Green-red led	R8921	R8921
10	2A fuse	R8968	R8968
11	Instrumental panel display board	R8918	R8918
12	Instrumental plate	R8346	R8346
13	Quick primer pressure gauge	R8378	R8378
18	Door panel	R6160	R6160
19	Door panel	R5254	R5254
20	Flange	R5304	R5304
21	Pin	R5301	R5301
22	Pin	R5303	R5303
23	Spring	R5275	R5275
27	O ring	R9289	R9289
100	Wiring harness	R10022333	R10022333
101	Electric connection band	R8932	R8932



POS.	DESCRIPTION	226 ESS	216 ESS
1	Case	R01005170	R01005170
4	Fuse	R3478	R3478
6	Spring	R5588	R5588
8	Transformer	R1048	R1048
9	Printed circuit back semi-box	R1037	R1037
11	Printed circuit board	R1491	R1491
12	3,15A fuse	R8969	R8969
13	2A fuse	R8968	R8968
14	Printed circuit front semi-box	R8862	R8862
15	Black velcro	R1041	R1041
23	Clip	R5128	R5128

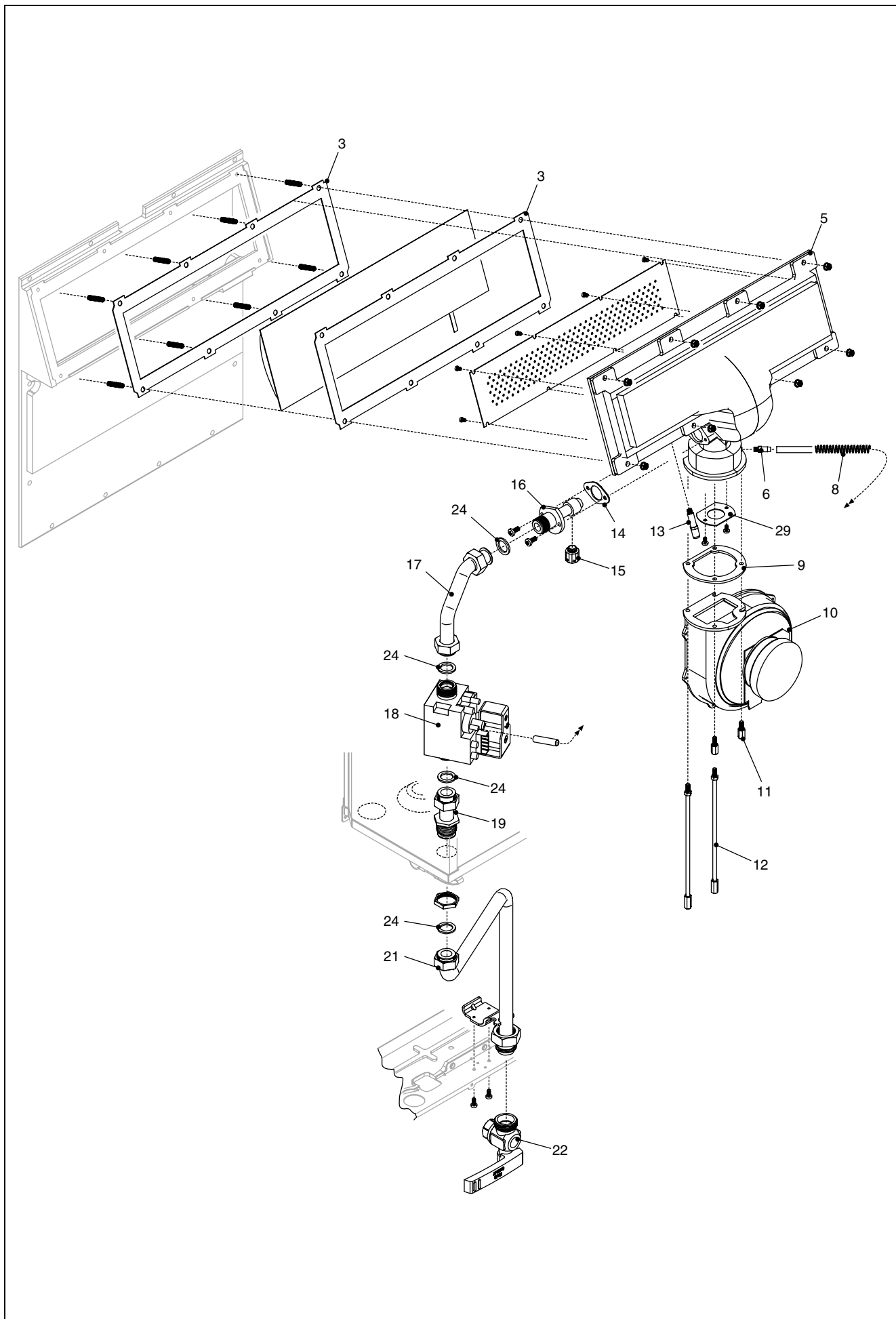


POS.	DESCRIPTION	226 ESS	216 ESS
1	Expansion vessel	R7204	R7204
2	Pipe	R1011	R1011
3	NTC sensor	R1194	R1194
4	Washer	R5023	R5023
5	Fitting/union	R8873	R8873
6	Pipe	R10022445	R10022445
7	Heating distrib. manifold	R10020799	R10020799
8	Automatic by-pass plug	R2911	R2911
9	Pipe	R7207	R7207
10	Heating by-pass valve	R1734	R1734
11	Membrane	R6872	R6872
12	Cover	R6853	R6853
13	Plug	R8866	R8866
14	Safety valve	R1806	R1806
15	Washer	R5203	R5203
16	3/4" heat water cock	R7100	R7100
17	Cover	R7216	R7216
19	Connection	R9730	R9730
20	Washer	R9732	R9732
21	Pipe	R9731	R9731
22	Siphon	R1191	R1191
23	Pipe	R1192	R1192
24	Pipe	R8868	R8868
25	Washer	R6897	R6897
26	Pump	R8876	R8876
27	Pump cable	R1045	R1045
28	Fitting/union	R10022444	R10022444
29	Ring	R6898	R6898
30	Fixing knob	R7172	R7172
31	Washer	R5070	R5070
35	Washer	R5041	R5041
38	Pressure differential switch	R10022556	R10022556
40	Tube	R10022570	R10022570





POS.	DESCRIPTION	226 ESS	216 ESS
1	Air vent bottle assembly	R9806	R9806
3	Fitting/union	R8911	R8911
4	Upper panel for air box	R8881	R8881
5	Clamp	R8675	R8675
6	Washer	R5920	R5920
7	Plug	R8084	R8084
8	Washer	R8975	R8975
9	Washer	R5905	R5905
10	Fitting/union	R8908	R8908
11	Washer	R8912	R8912
12	Condensing exchanger assembly	R8884	R8884
13	Washer	R9287	R9287
14	Exchanger lower insulation panel	R1193	R1193
15	Cover for heat exchanger	R1033	R1033
16	Exchanger lower insulation panel	R1016	R1016
17	Air box bottom	R10022672	R10022672
18	Glass kit	R01005234	R01005234
23	Spark electrode kit	R01005242	R01005242
25	Spark electrode cable	R1044	R1044
26	Front panel for air box	R1035	R1035
27	Plug	R8909	R8909
33	Washer	R1022	R1022
38	Clip	R10021115	R10021115



POS.	DESCRIPTION	226 ESS	216 ESS
2	Burner	R1196	R1196
3	Washer	R9285	R9285
5	Conveyor	R8886	R10022450
6	Pressure connection	R8916	R8916
8	Spring	R9296	R9296
9	Washer	R8893	R8893
10	Fan	R10022853	R10022853
11	Screw	R1006	R1006
12	Screw	R9292	R9292
13	Pressure connection	R8915	R8915
14	Washer	R9299	R9299
15	Main burner jet	R8970	R8897
15	Main burner jet	R9295	R10022453
16	Nozzle holder	R1195	R1195
17	Gas pipe	R10022442	R10022442
18	Gas valve	R10022441	R10022441
19	Gas pipe	R10022443	R10022443
21	Pipe	R9772	R9772
22	3/4" gas cock	R7098	R7098
24	Washer	R5023	R5023
29	Gas diaphragm	-	R10022451



---

Vokera reserve the right to change the specifications without prior notice.  
Consumers' statutory rights are not affected.