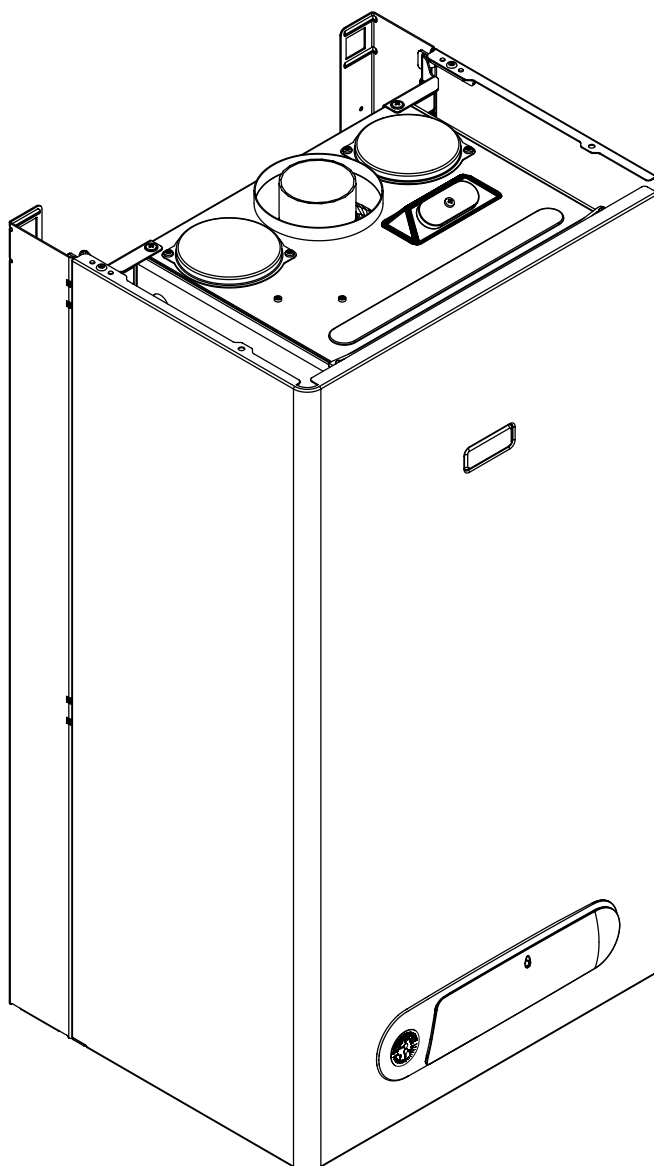
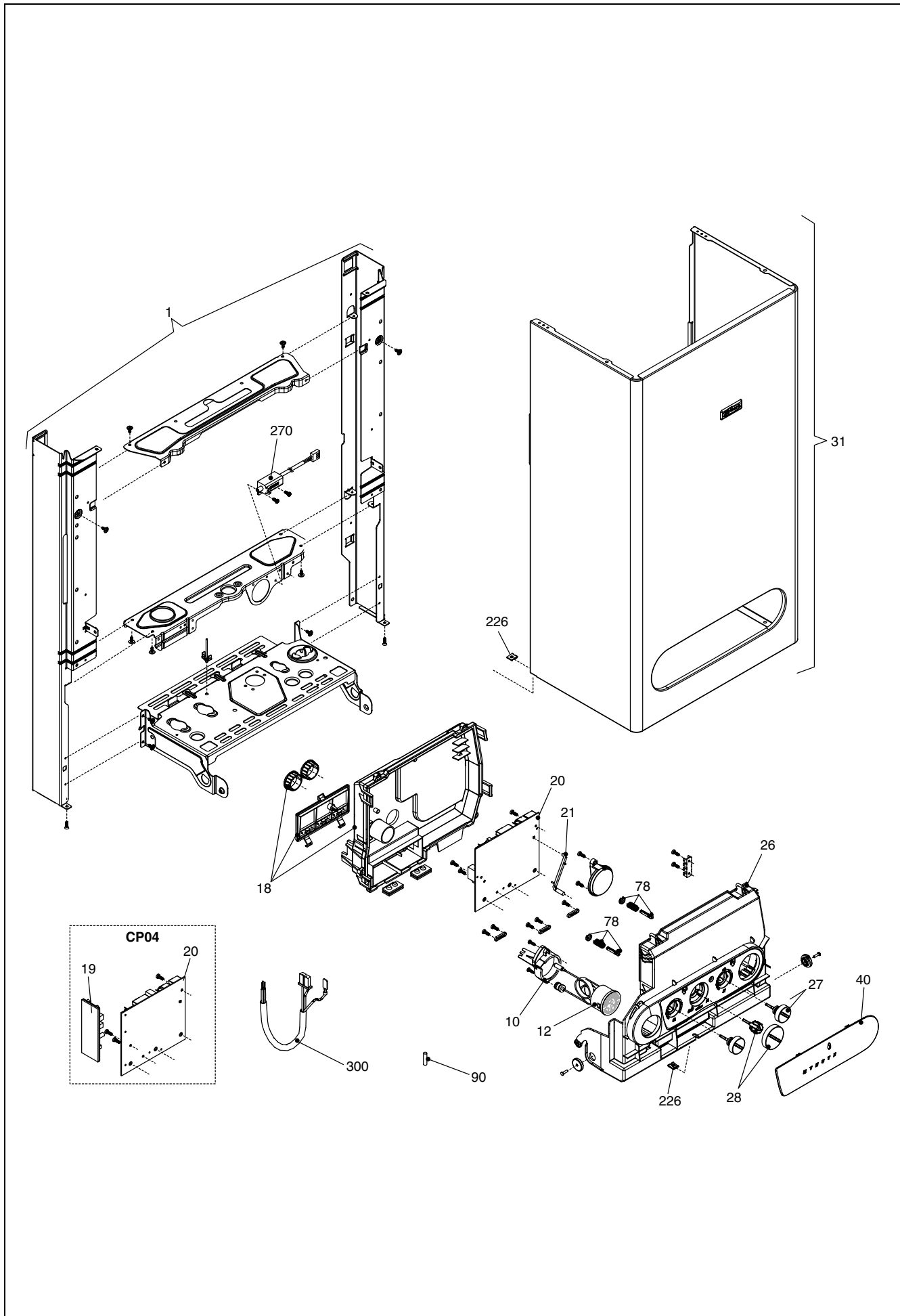


Wall hung boilers

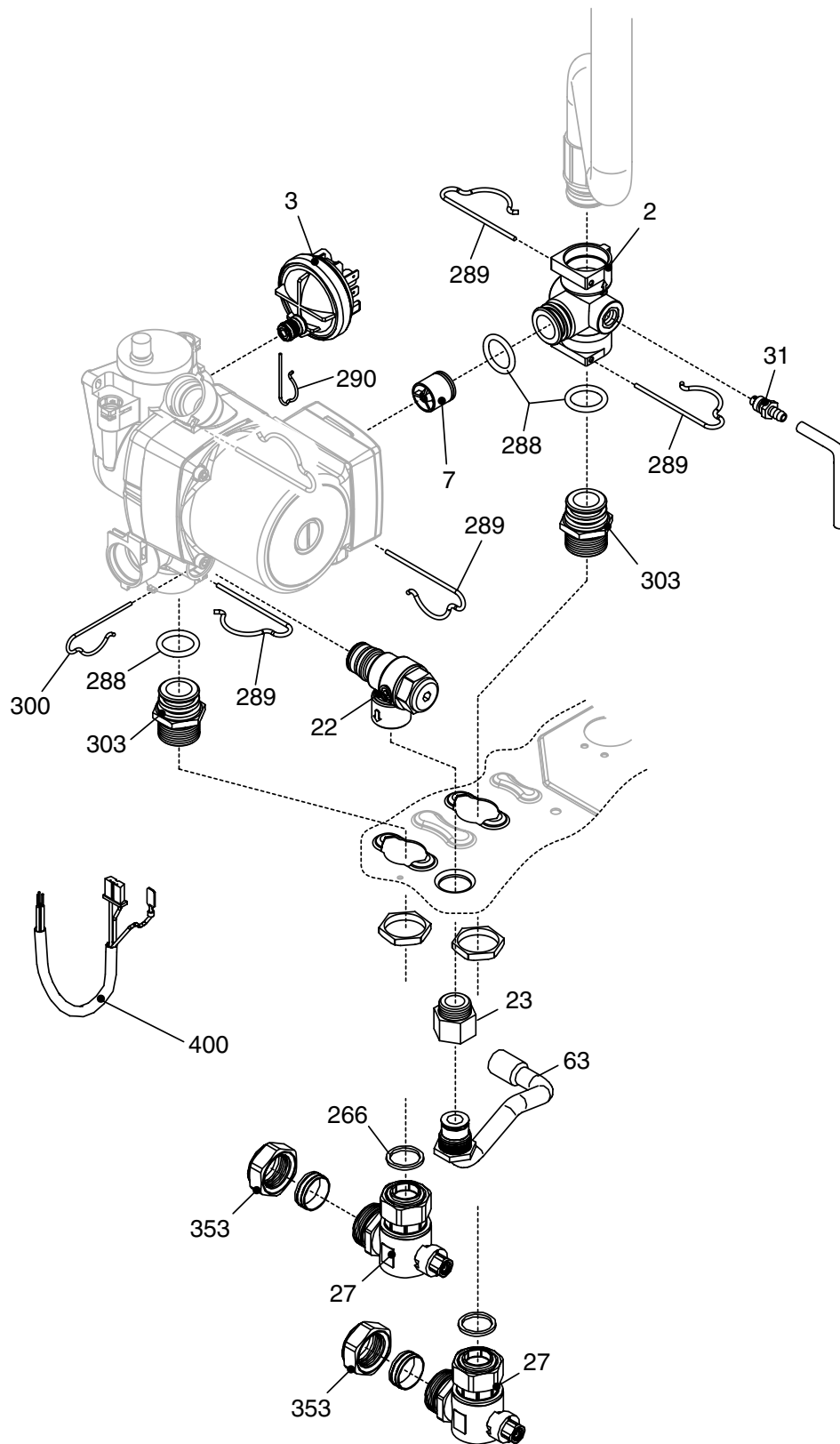
Mynute 24 M



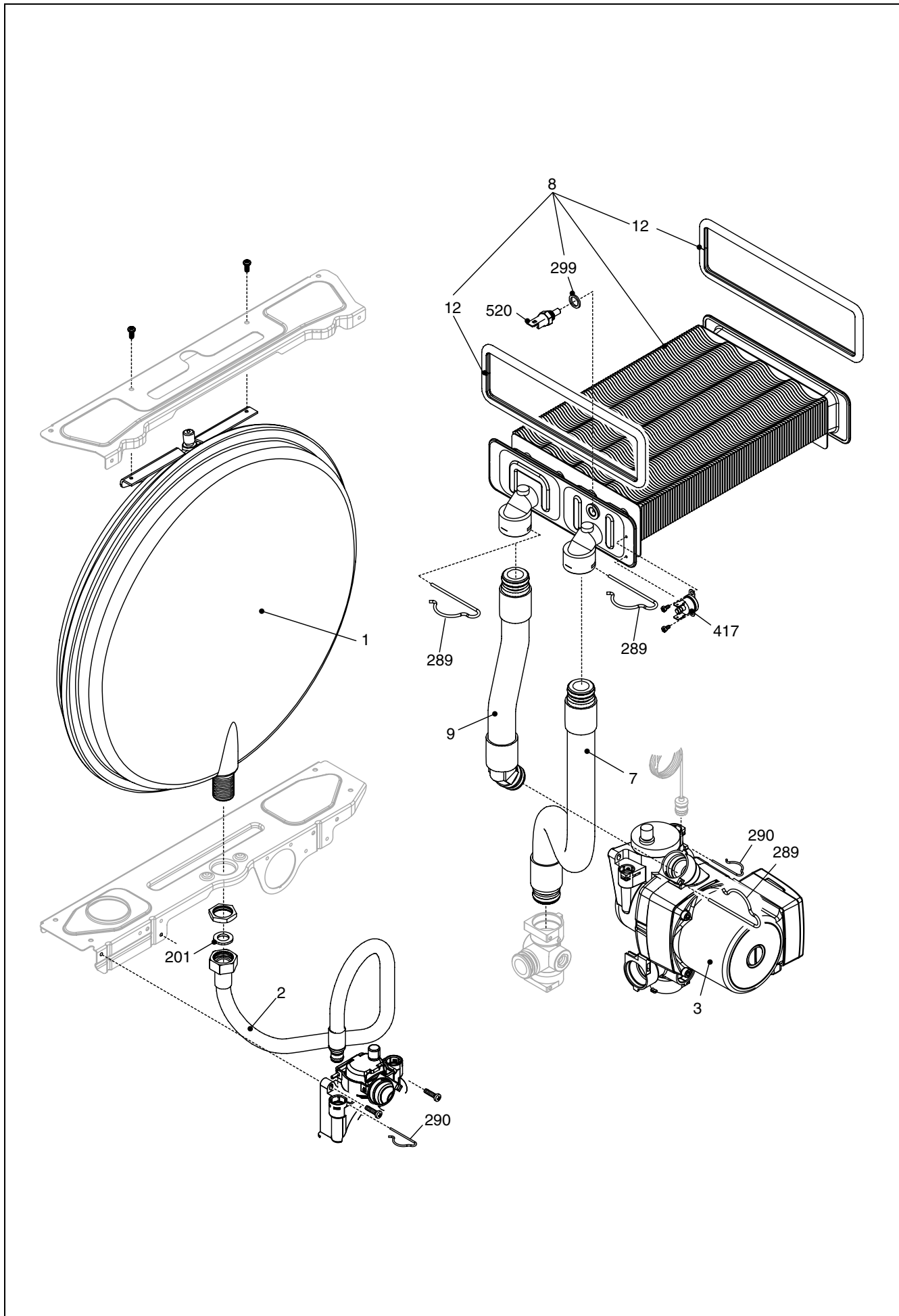
MODEL	PART NUMBER	
	MTN	GPL
Mynute 24M	2350973 (846)	2350975 (848)



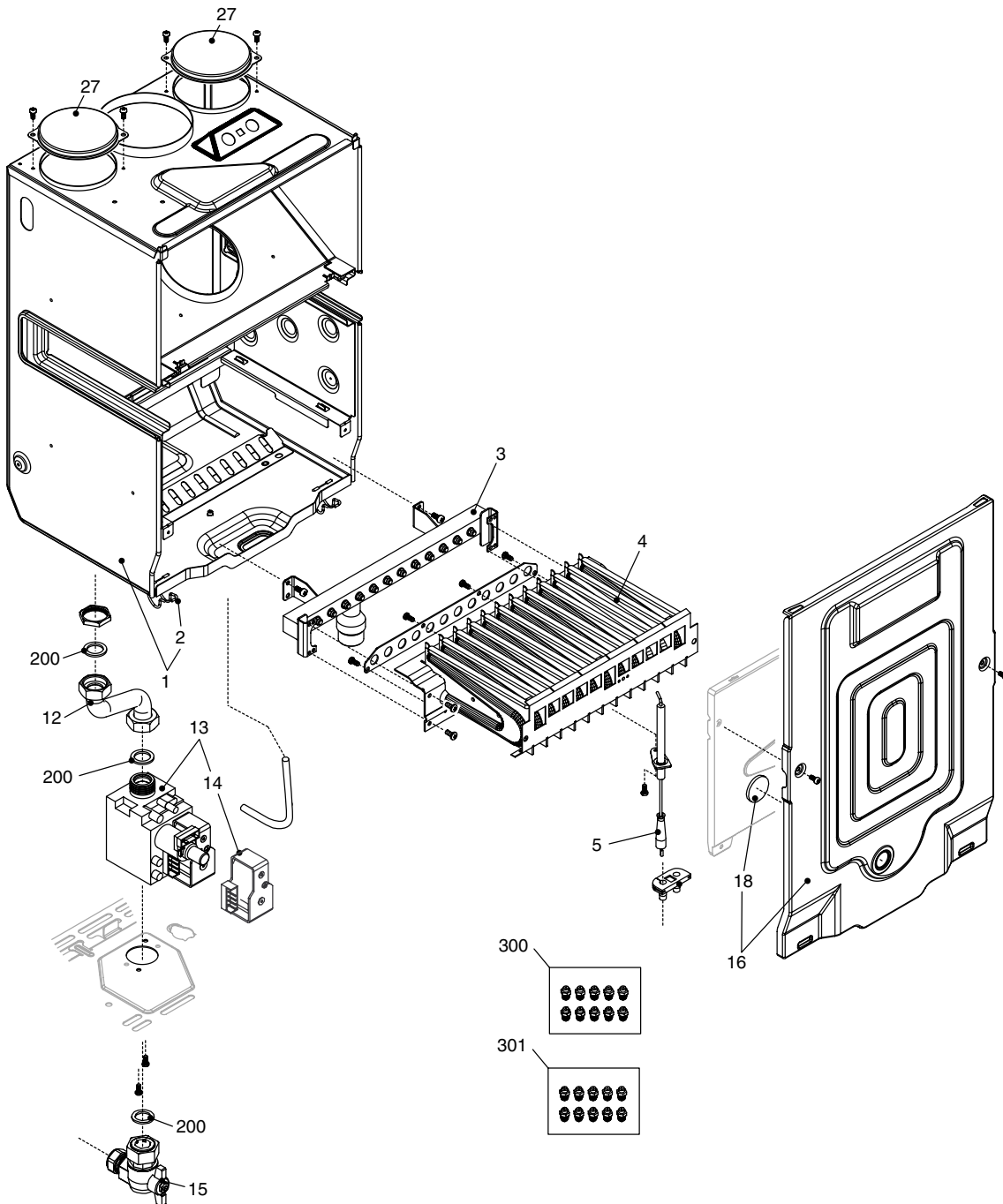
POS.	DESCRIPTION	24m
1	Frame assembly	R01005259
10	Water gauge carrier	R10029105
12	Pressure gauge	R10029421
18	Cover	R10024976
19	Flame control ignition module	R10028890
20	Printed circuit board CP04N	R10025340
20	Printed circuit board CPBTR04	R10030505
21	Led light guide	R10023816
26	Fixing flange	20000773
27	Knob	R10030335
28	Knob assembly	R10030336
31	Case	R10023822
40	Electrical panel	20001127
78	Hinge assembly	R01005442
90	Fuse	R3478
226	Clip	R5128
270	Ignition transformer TR2	R10021272
300	Wiring harness	R10023840



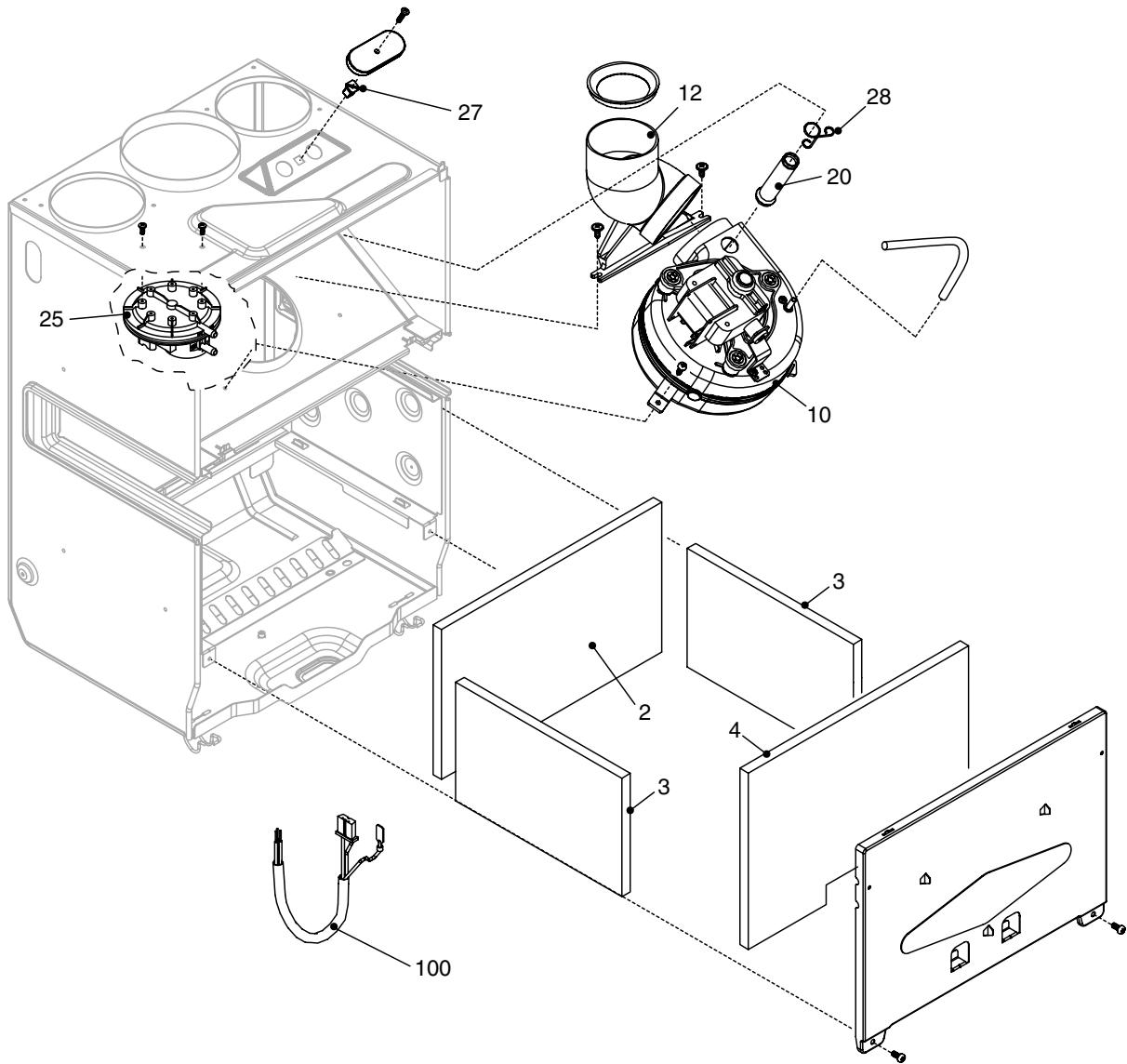
POS.	DESCRIPTION	24m
2	Connection	R10022658
3		R2726
7	Heating by-pass valve	R2047
22	Safety valve	R2907
23	Fitting/union	R10022499
27	Heating cock	R1789
31	Drain tap	R01005137
63	Pipe	R10020898
288	Ring	R6898
289	Clip	R2223
290	Clip	R2165
300	Clip	R2222
303	Fitting/union	R2217
353	Nut	R1824
400	Control cable	R10026771



POS.	DESCRIPTION	24m
1	Expansion vessel	R2204
2	Pipe	R10023603
3	Pump 5 mt.	20001873
7	Pipe	R10022000
8	Heat exchanger	R10023651
9	Pipe	R10022002
12	Washer	R2226
201	Washer	R5026
289	Clip	R2223
290	Clip	R2165
299	Washer	R10022726
417	High limit thermostat	R10024710
520	NTC sensor	R10027352



POS.	DESCRIPTION	24m
1	Air box bottom	R10024669
2	Clip	R0442
3	Main burner injector manifold	R10025271
4	N.G. burner	R10025270
5	Spark / ignition electrode	R10025985
12	Gas pipe	R10023996
13	Gas valve	R10025074
14	Gas valve solenoid	R10020838
15	3/4" gas cock	R10020897
16	Cover assembly	R10024779
18	Glass	R10021558
27	Plug	R10023805
200	Washer	R5023
300	Ng conversion kit	R01005225
301	LPG conversion kit	R01005297



POS.	DESCRIPTION	24m
2	Back insulatin panel	R2230
3	Combustion chamber insulation panel	R2231
4	Combustion chamber insulation panel	R2232
10	Fan	R10020793
12	Fan connection	R10021972
20	Fumes testing connection pipe	R10021973
25	Pressure diff. switch kit	R01005272
27	Nut screw	R10020625
28	Clip	R10020626
100	Combustion cable	R10023838

Rev.	data	Descrizione
1.0	20/03/07	Modifiche varie
2.0	01/10/07	Modifiche varie
3.0	19/02/08	E00120080039 : circolatore
4.0	20/05/08	E00120080200 : scheda CPBTR04



Vokera reserve the right to change the specifications without prior notice.
Consumers' statutory rights are not affected.