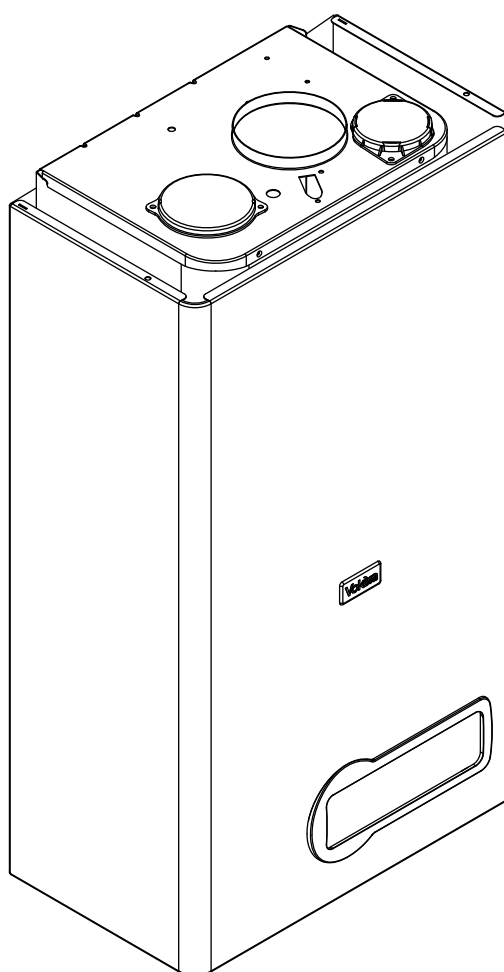
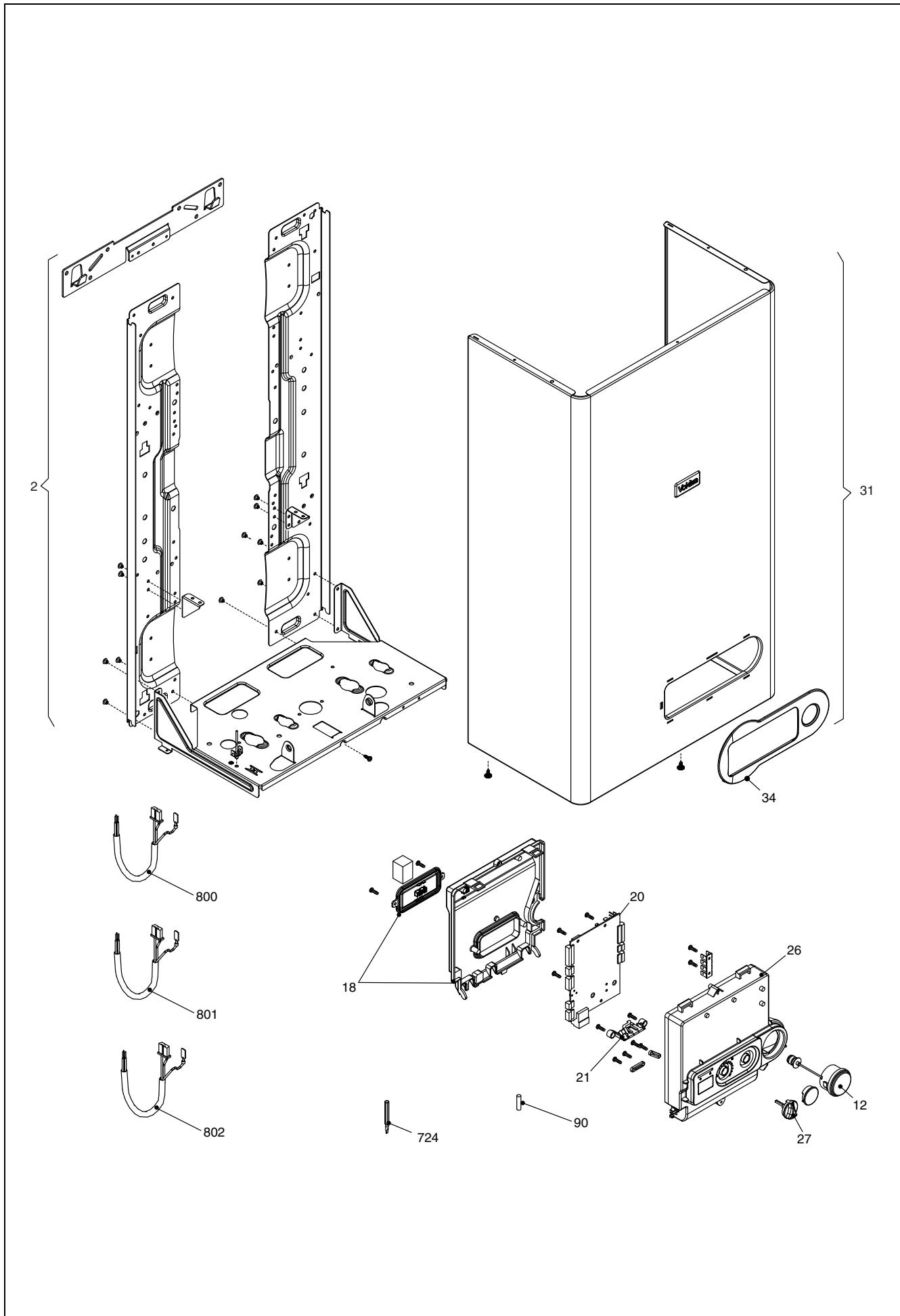


Wall hung boilers

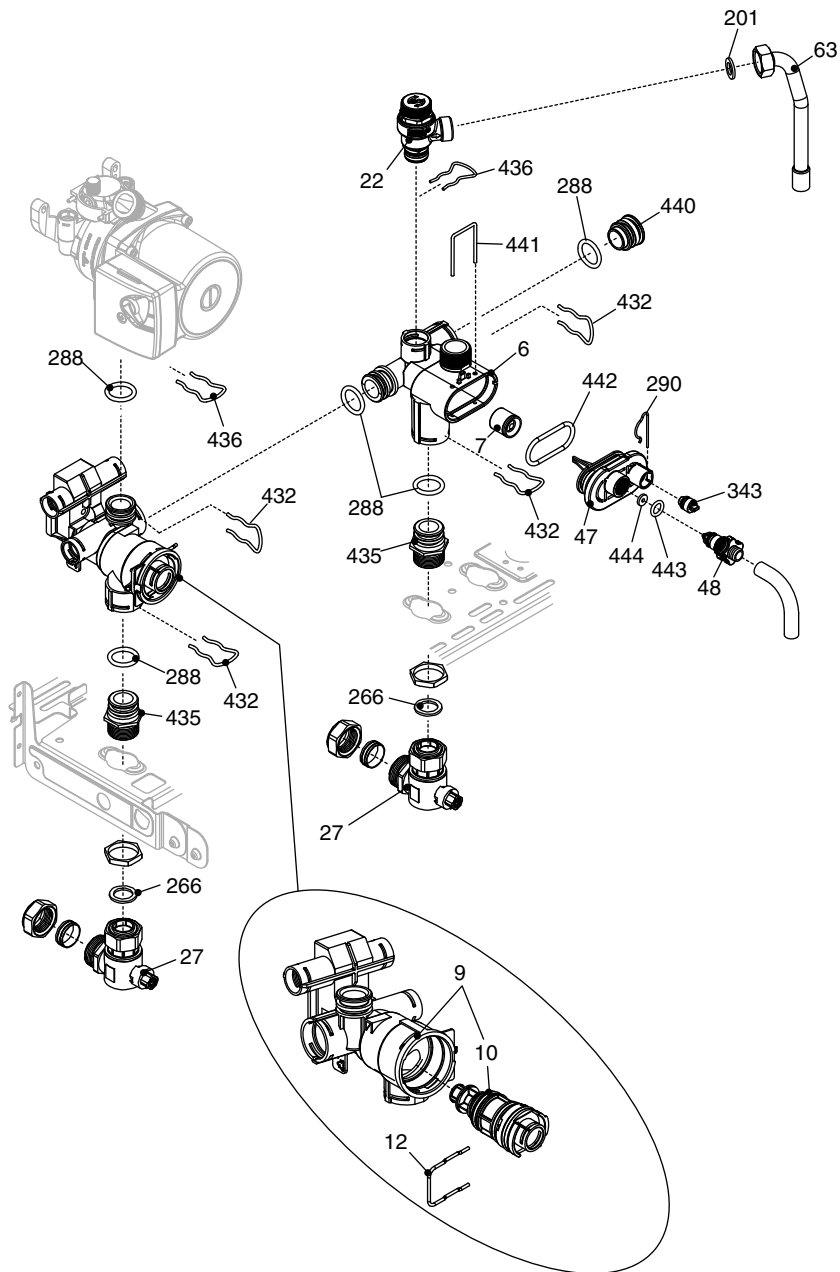
Mynute 25 A



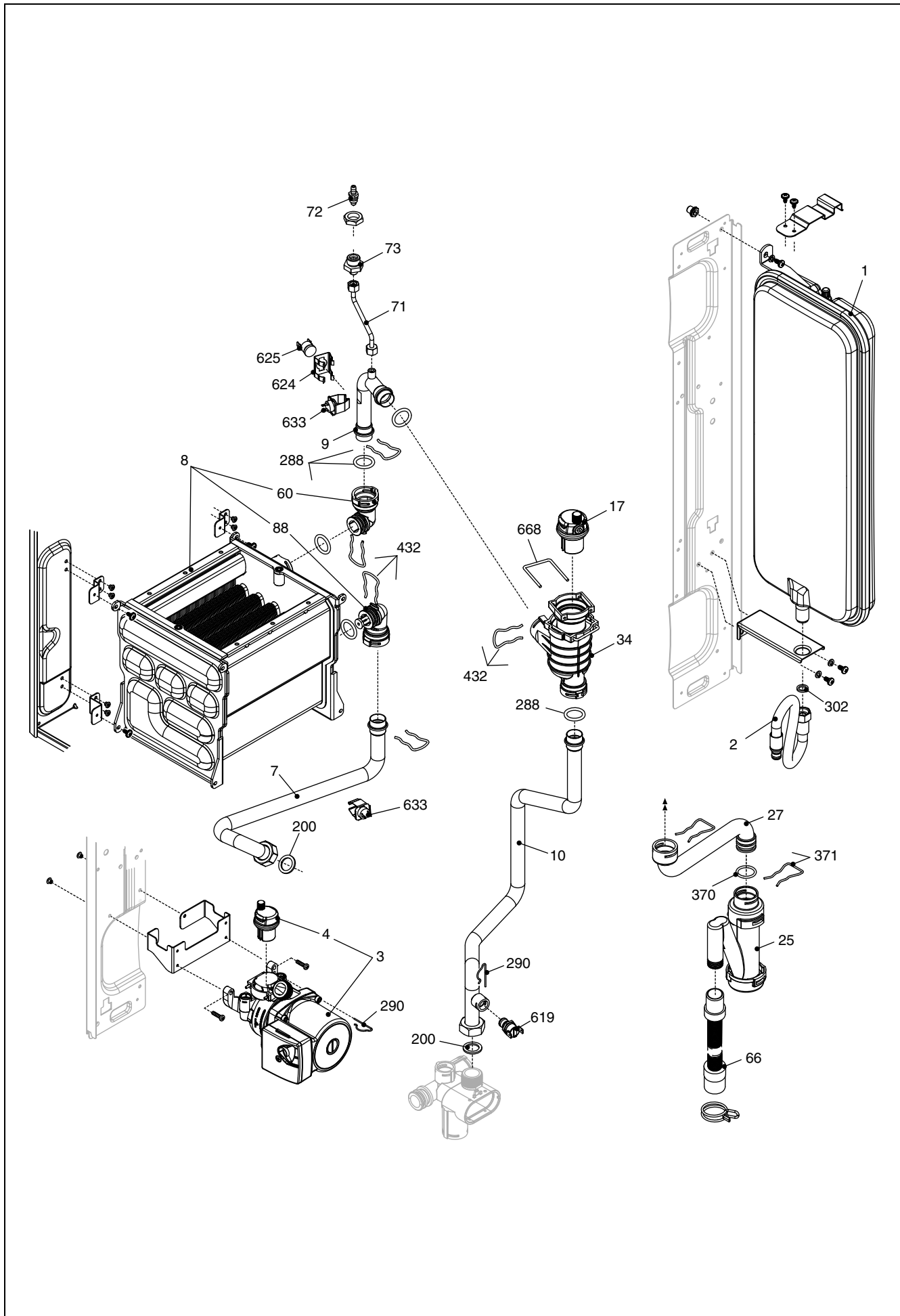
MODEL	PART NUMBER	
	MTN	GPL
Mynute 25 A	20028014	20038233



POS.	DESCRIPTION	25A
2	Frame assembly	20049618
12	Quick primer pressure gauge	20005580
18	Control panel cover	20026055
20	Printed circuit board	20025735
21	led light guide	20013352
26	Instrumental panel	20035501
27	Knob	20014025
31	Case Assembly	20048322
34	Fixing flange	20026728
90	Fuse	R3478
724	Nut screw	R2455
800	Power wiring harness	20005572
801	Cable	R1547
802	Low tension cable	20035502

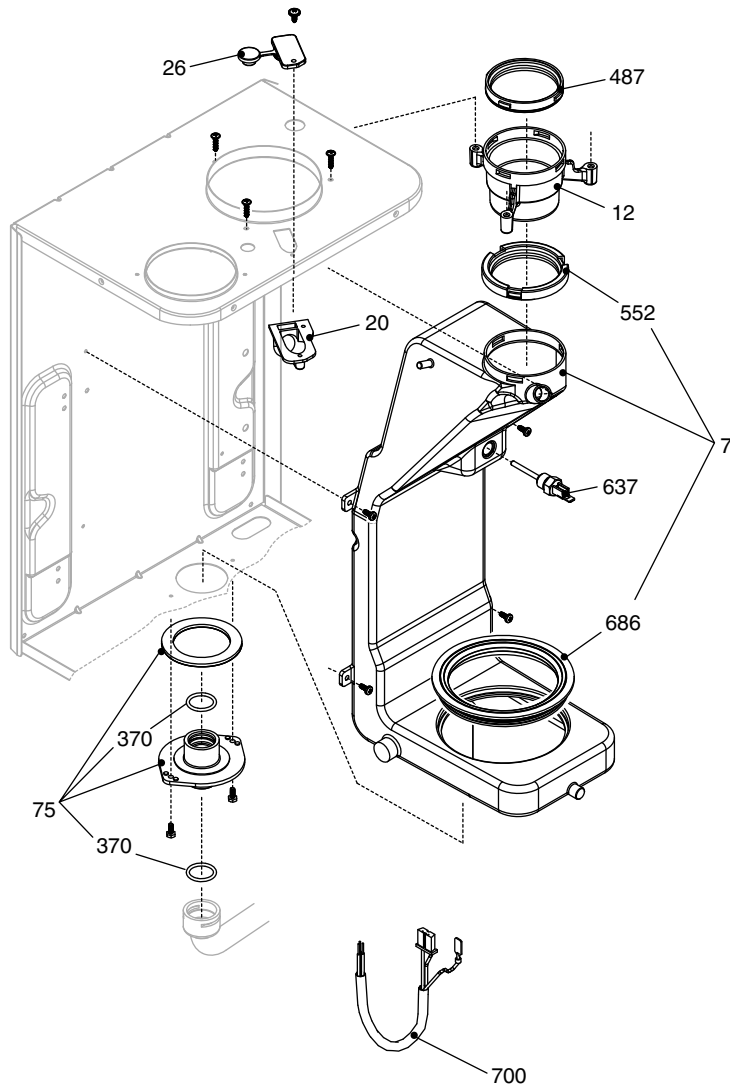


POS.	DESCRIPTION	25A
6	By-pass casing	R10024641
7	By-pass valve	R1552
9	Heating manifold and cartridge	R10027768
10	3 way valve cartridge	R10025305
12	Clip	R10025450
22	Safety valve	20043820
27	Heating cock	R1789
47	Cover for by-pass assembly	R10024643
48	Cock	R10024646
63	Pipe	20025755
201	Washer	R5026
266	Washer	R5237
288	Ring	R6898
290	Clip	R2165
343	Pump plug	R2216
432	Clip	R10024958
435	Fitting/union	R10025059
436	Clip	R10025062
440	Automatic by-pass plug	R10024645
441	Clip	R10025063
442	O ring	R10025065
443	O ring	R10025064
444	Washer	R10025066



POS.	DESCRIPTION	25A
1	Expansion vessel	20029826
2	Pipe	R10028603
3	Pump	20039926
4	Air vent bottle	R10025485
7	Pipe	20025763
8	Exchanger group	20039924
9	Pipe	20025764
10	Pipe	20025744
17	Air vent valve	20019768
25	Siphon	20025733
27	Pipe	20025743
34	Degasser kit	20019888
60	Racord	20039953
66	Flexible pipe	R10027545
71	Pipe	20025746
72	Vent plug	R10023235
73	Cock	R10028431
88	Racord	20039954
200	Washer	R5023
288	Ring	R6898
290	Clip	R2165
302	Washer	R5025
370	O ring	R10023533
371	Clip	R10023532
432	Clip	R10024958
619	Pressure	20003181
624	Clip	R5472
625	High limit thermostat	20005585
633	Water detector	20003819
668	Clip	20019767

POS.	DESCRIPTION	25A
3	Fan	20002995
4	Burner assembly (Worgas)	20046269
4	Burner assembly (Cerammat)	20055216
5	Ignition electrode	20025737
12	Pipe	20025745
13	Gas valve	20039202
14	Gas pipe	20005553
15	3/4" gas cock	R10020897
16	Combustion chamber cover	20005594
17	Gas valve solenoid	20040675
18	Plug	20005550
27	Hole cover	20005586
31	Hole cover	20049606
33	Seal ignition electrode	20025740
34	Insulator panel assembly	20046270
40	Washer	20046265
46	Gas diaphragm (Worgas)	20039204
46	Gas diaphragm (Cerammat)	20055213
68	Burner cover	20046266
72	Mixer	20026083
77	Washer	20025753
79	Electrode	20043523
92	Suction pipe	20025760
96	Diaphragme (Worgas)	20041058
200	Washer	R5023
436	Clip	R10025062
613	Ignition transformer	20001563
700	Ng conversion kit (Worgas burner)	20029052
700	Ng conversion kit (Cerammat burner)	20057751
701	Lpg conversion kit	20029055



POS.	DESCRIPTION	25A
7	Conveyor	20026060
12	Flue drain connection	R10028421
20	Outlet nut	20026049
26	Plug	20026058
75	Flue collector	20026056
370	O ring	R10023533
487	Washer Ø 60	R10026345
552	Washer Ø 60	R10028426
637	Flue sensor	20007050
686	Washer	20026059
700	Combustion cable	20025736

Rev.	data	Descrizione
1.0	16/03/2011	Aggiunte TRASFORMAZIONI
2.0	09/05/2011	E00120110278 : valvola gas, diaframma
3.0	13/09/2011	E00120110357 : scambiatore , raccordi , by-pass circolatore , circolatore E00120110367 : coperchio ispezione parti elettriche , cacciavite E00120110373 : mensola telaio - E00120110498 : rivetto messa a terra E00120110317 : nuova bobina valvola gas
4.0	05/12/2011	E00120110688 : aggiornamento combustione E00120110577 : pannelli fonoassorbenti
5.0	29/03/2012	E00120110494 : valvola sicurezza 3 bar – E00120100017 : revisione estetica
6.0	13/06/2012	E00120120121 : bruciatore Ceramat
7.0	11/10/2012	E00120120434 : miglioramento strutturale
8.0	19/02/2013	E00120120796 : coperchio scatola aria - E00120120819 : fondo scatola aria E00120130138 : manopola comando

