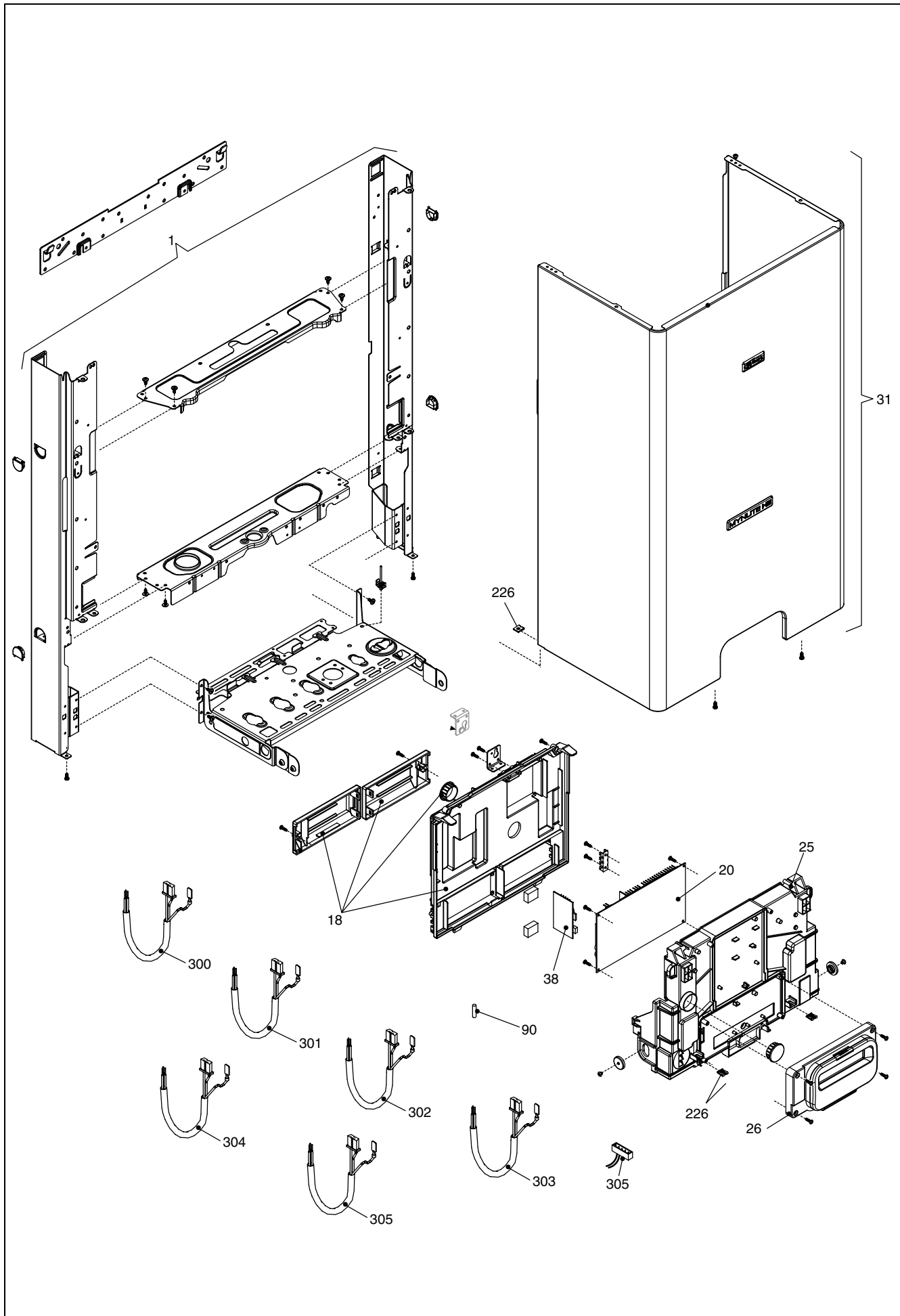


**Wall hung boilers**

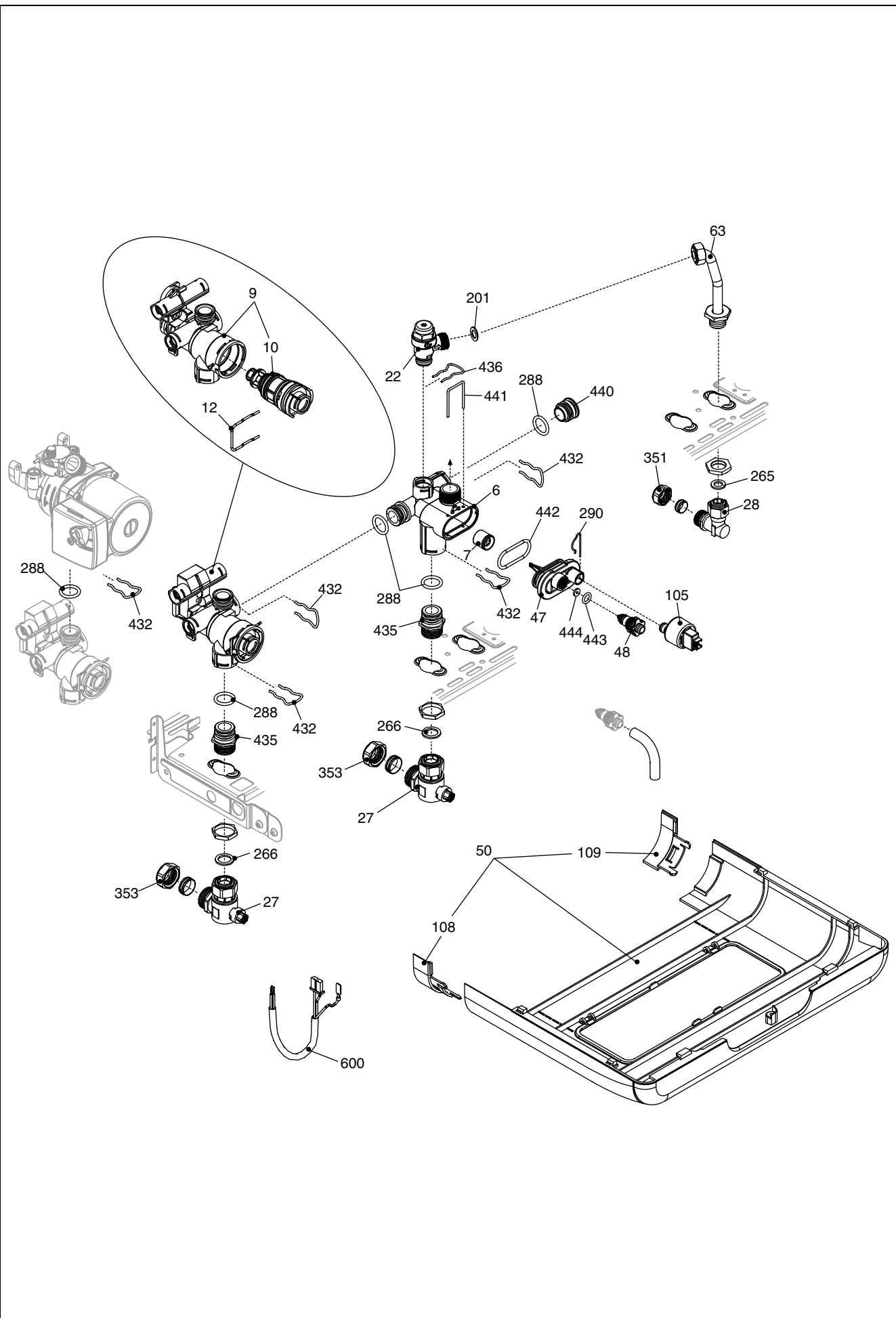
# Mynute HE



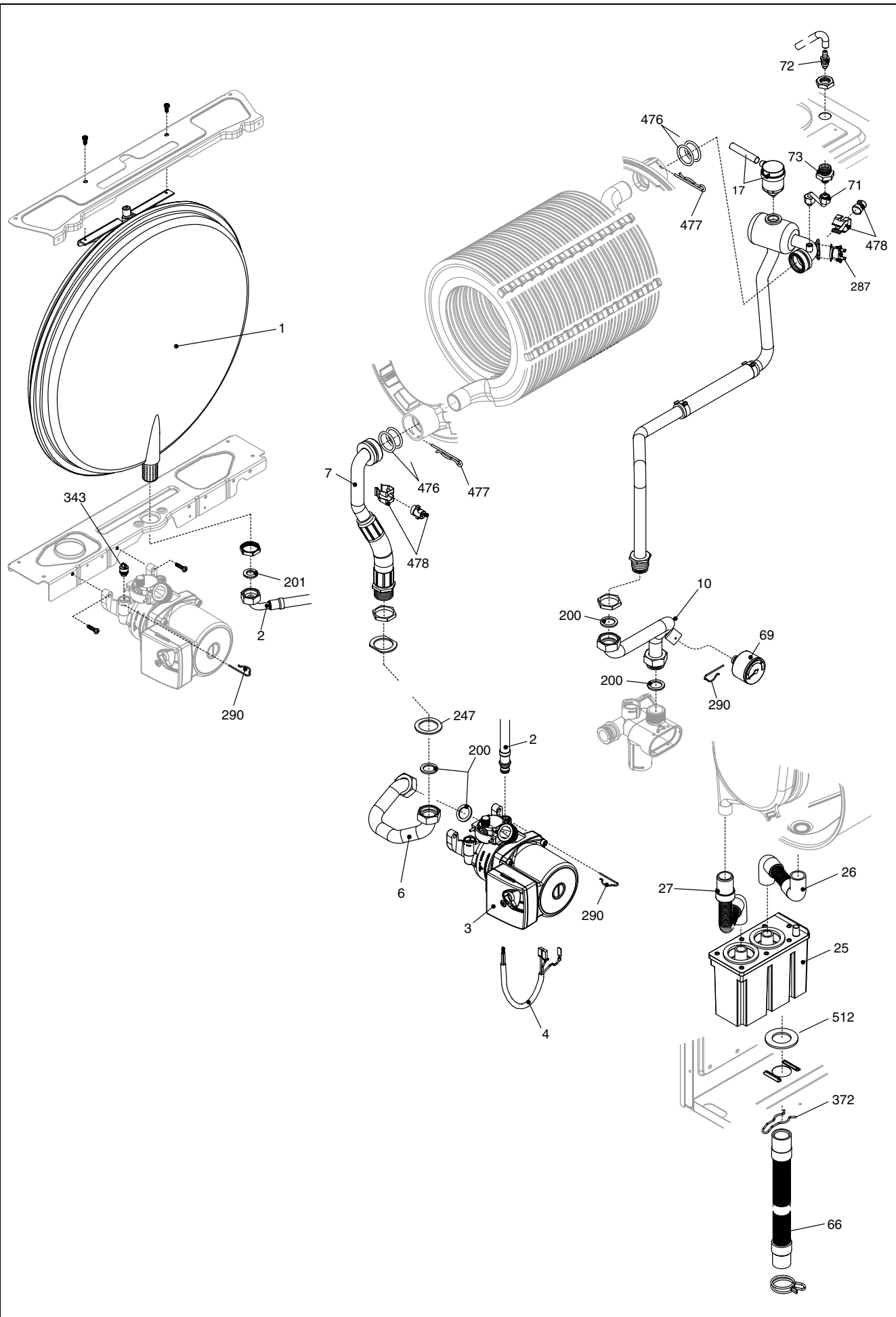
MODEL	PART NUMBER	
	MTN	GPL
<b>Mynute 35 HE</b>	<b>2350953</b>	-



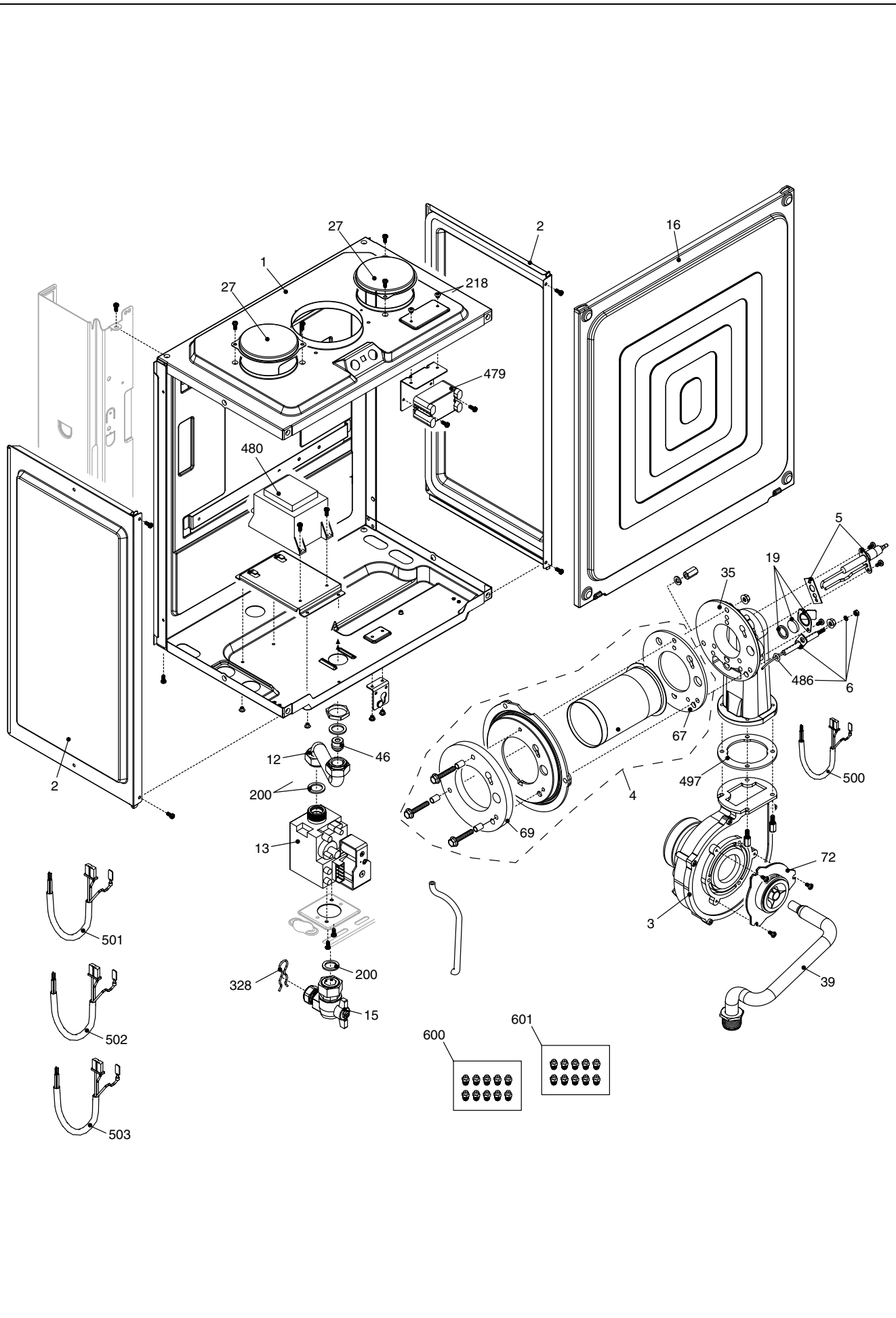
POS.	DESCRIPTION	35 He
1	Frame	R01005367
18	Cover assembly	R10026239
20	Printed circuit board	R10026240
25	Cover	R10025842
26	Front panel	R10027949
31	Case	R10026241
38	Driver pcb	R10027200
90	Tdc 180 bs 1362 3a fuse	R3478
226	Edge clip	R5128
300	Electric connection band	R10026341
301	Wiring harness	R10027953
302	Wiring harness	R10027360
303	Supply cable	R10026333
304	Transformer cable	R10026337
305	Connection cable	R10026330
306	Connector	R10026342



POS.	DESCRIPTION	35 He
6	By-pass casing	R10024641
7	Heating by-pass valve	R2047
9	Heating manifold and cartridge	R10027768
10	3 way valve cartridge	R10025305
12	Clip	R10025450
22	Safety valve	R10025055
27	Heating cock	R1789
28	Connection	R1790
47	Cover for by-pass assembly	R10024643
48	Discharge cock	R10024646
50	Connections cover	R10027685
63	Pipe	R10026228
105	Pressure transducer	R10028142
201	Washer	R5026
265	Washer	R5236
266	Washer	R5237
288	O ring	R6898
290	Clip	R2165
351	Brass nut	R1823
353	Ogive	R1824
432	Clip	R10024958
435	Connection	R10025059
436	Clip	R10025062
440	Hole cover	R10024645
441	Clip	R10025063
442	O-ring	R10025065
443	O-ring	R10025064
444	Washer	R10025066
600	Wiring harness	R10027952

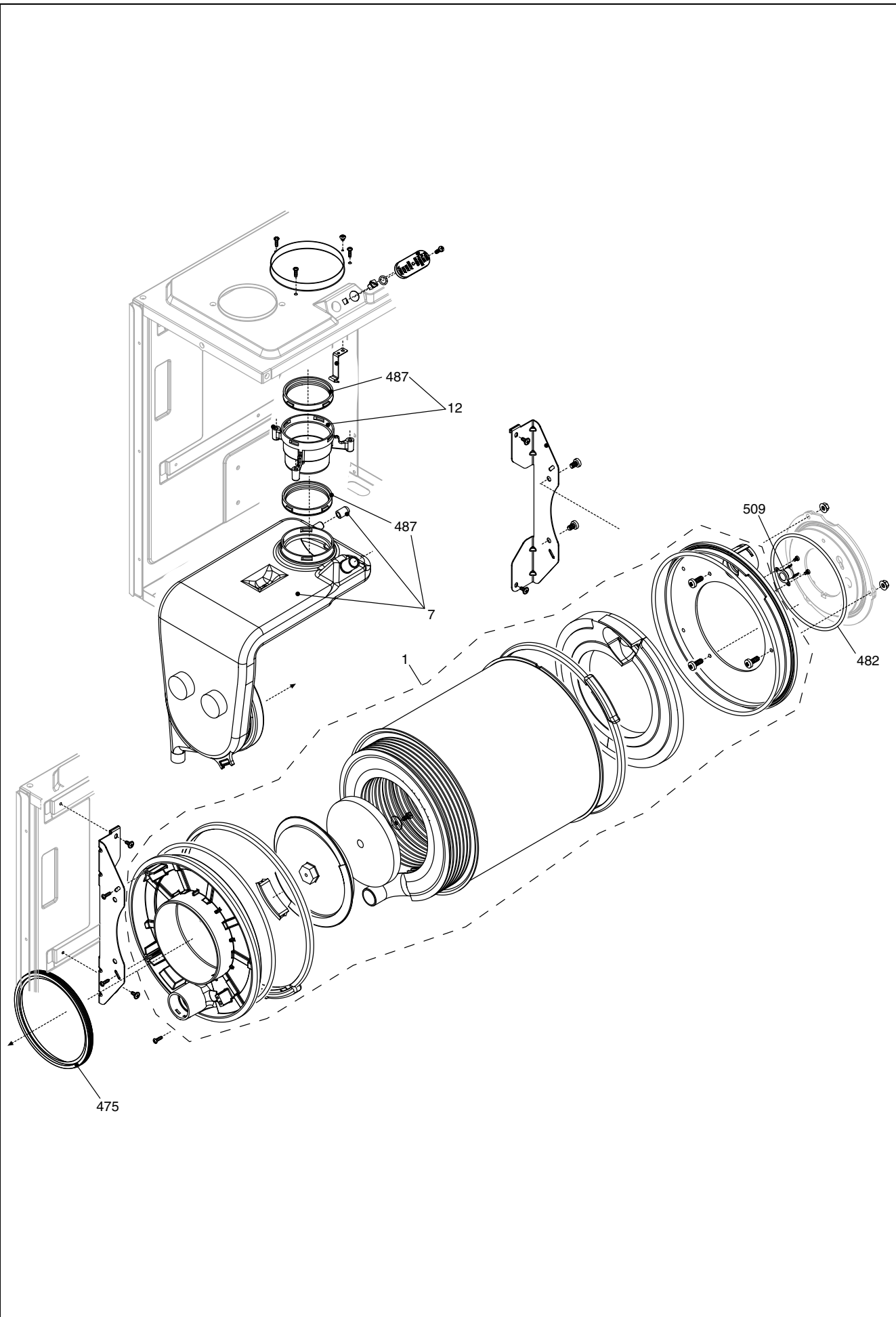


POS.	DESCRIPTION	35 He
1	10 lt. expansion vessel	R2573
2	Flexible pipe	R10025188
3	Pump	R10027258
4	Pump cable	R10026338
6	Pipe	R10026264
7	Pipe	R10027317
9	Pipe	R10028264
10	Pipe	R10027146
17	Air vent bottle	R10026275
25	Siphon	R10028405
26	Flexible pipe	R10027191
27	Flexible pipe	R10027192
66	Flexible pipe	R10026272
69	Pressure gauge	R10027135
71	Pipe	R10028515
72	Drain tap	R01005137
73	Cock	R10028431
200	Washer	R5023
201	Washer	R5026
247	Washer	R5203
287	High limit thermostat	R2258
290	Clip	R2165
343	Nut	R2216
372	Clip	R2588
476	O-ring	R10026324
477	Split pin	R10026269
478	Ntc sensor	R10026273
512	Washer	R10027193





POS.	DESCRIPTION	35 He
1	Roomsealed chamber	R10027175
2	Air box side	R10026231
3	Fan	R10027051
4	Burner assembly	R10026548
5	Spark / ignition electrode	R10027864
6	Sensing electrode	R10026316
12	Gas pipe	R10026318
13	Gas valve	R10027187
15	Gas cock	R10020897
16	Cover for air box	R10026230
19	Glass stopper assembly	R10026328
27	Hole cover	R10023805
35	Air gas conveyor	R10026309
39	Gas pipe	R10028206
46	N.G. Jet	R10027162
46	L.p.G. Jet	R2111
67	Washer	R10026322
69	Tryton	R10027089
72	Mixer	R10024295
200	Washer	R5023
479	Transformer	R10026237
480	Transformer	R10026236
486	O-ring	R10026325
497	Fan washer	R10026796
500	Spark electrode cable	R10026558
501	Combustion cable	R10028865
502	Gas valve cable	R10026336
503	Ignition cable	R10028363
504	Condensing level detector cable	R10024121
600	N.G. conversion kit	R01005466
601	L.p.G. conversion kit	R01005448



POS.	DESCRIPTION	35 He
1	Condensing exchanger assembly	R01005369
7	Conveyor	R10026310
12	Flue drain connection	R10028421
475	Washer	R10026323
482	Washer	R10026366
487	Washer	R10026345
509	High limit thermostat	R10026982

<b>Rev.</b>	<b>data</b>	<b>Descrizione</b>
1.0	03/03/06	Modifiche varie
2.0	28/12/06	Modifiche varie



---

Vokera reserve the right to change the specifications without prior notice.  
Consumers' statutory rights are not affected.