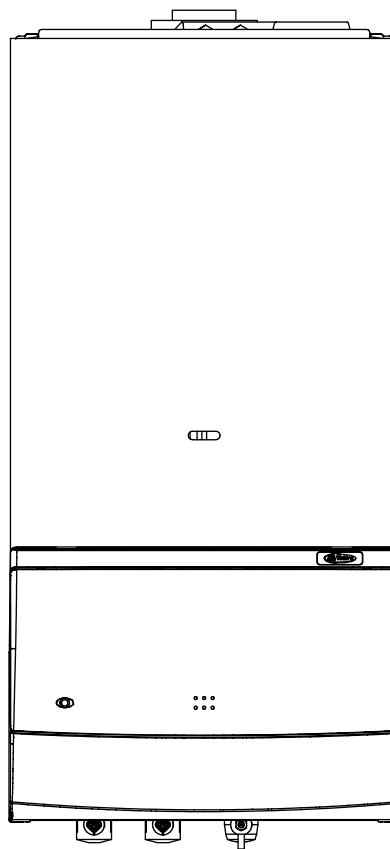
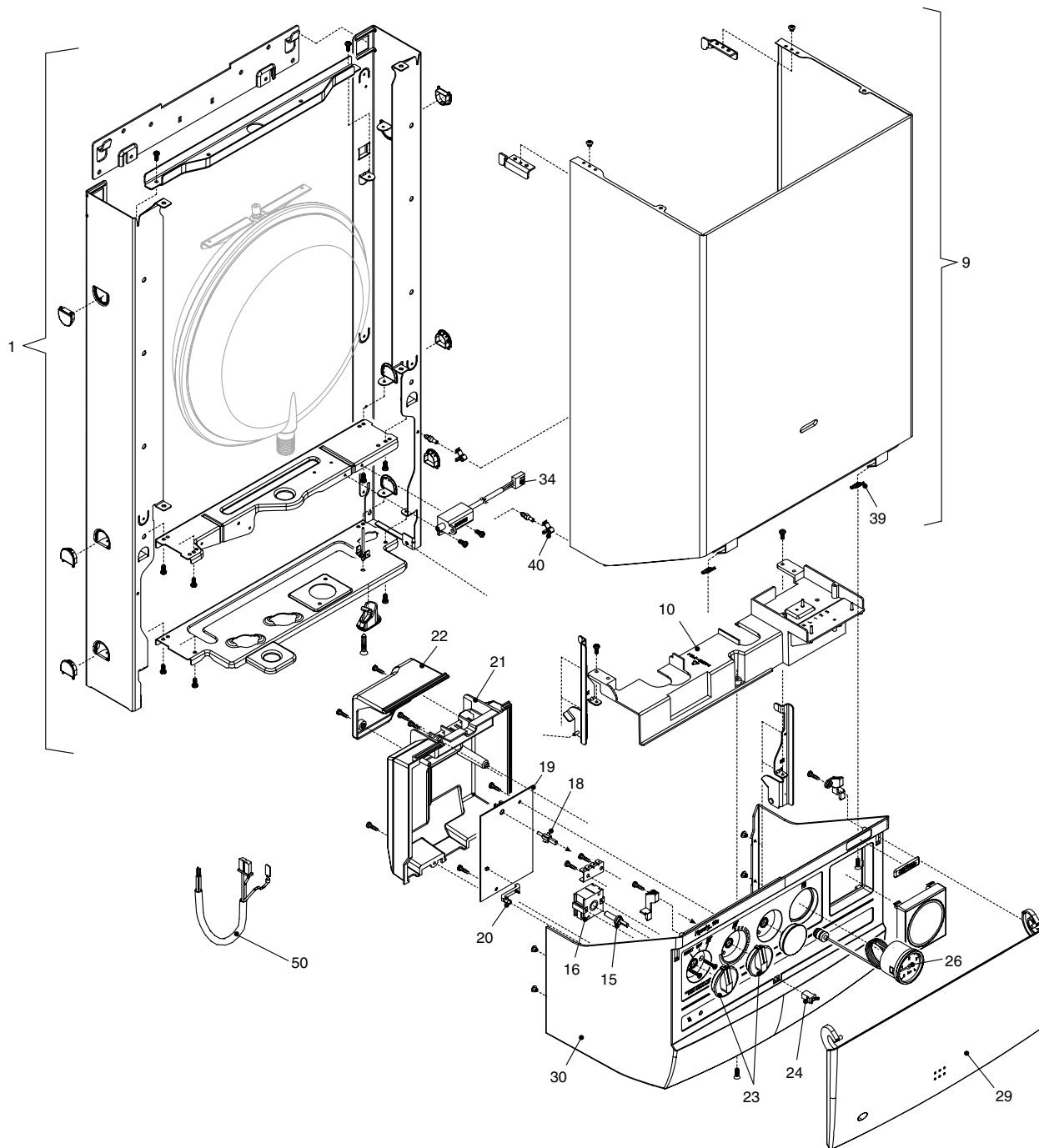


Wall hung boilers

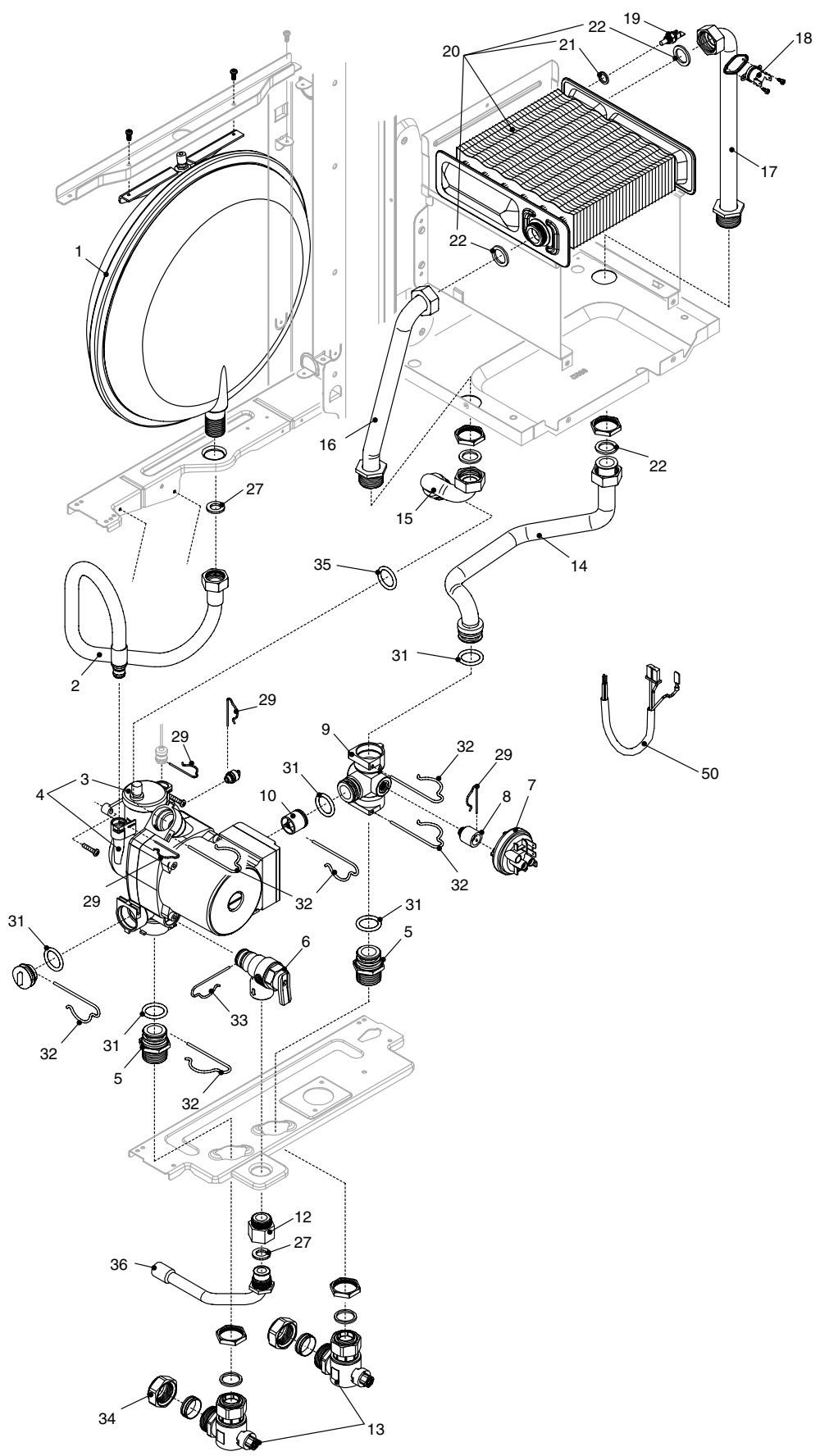
# Mynute 10 E - 14 E



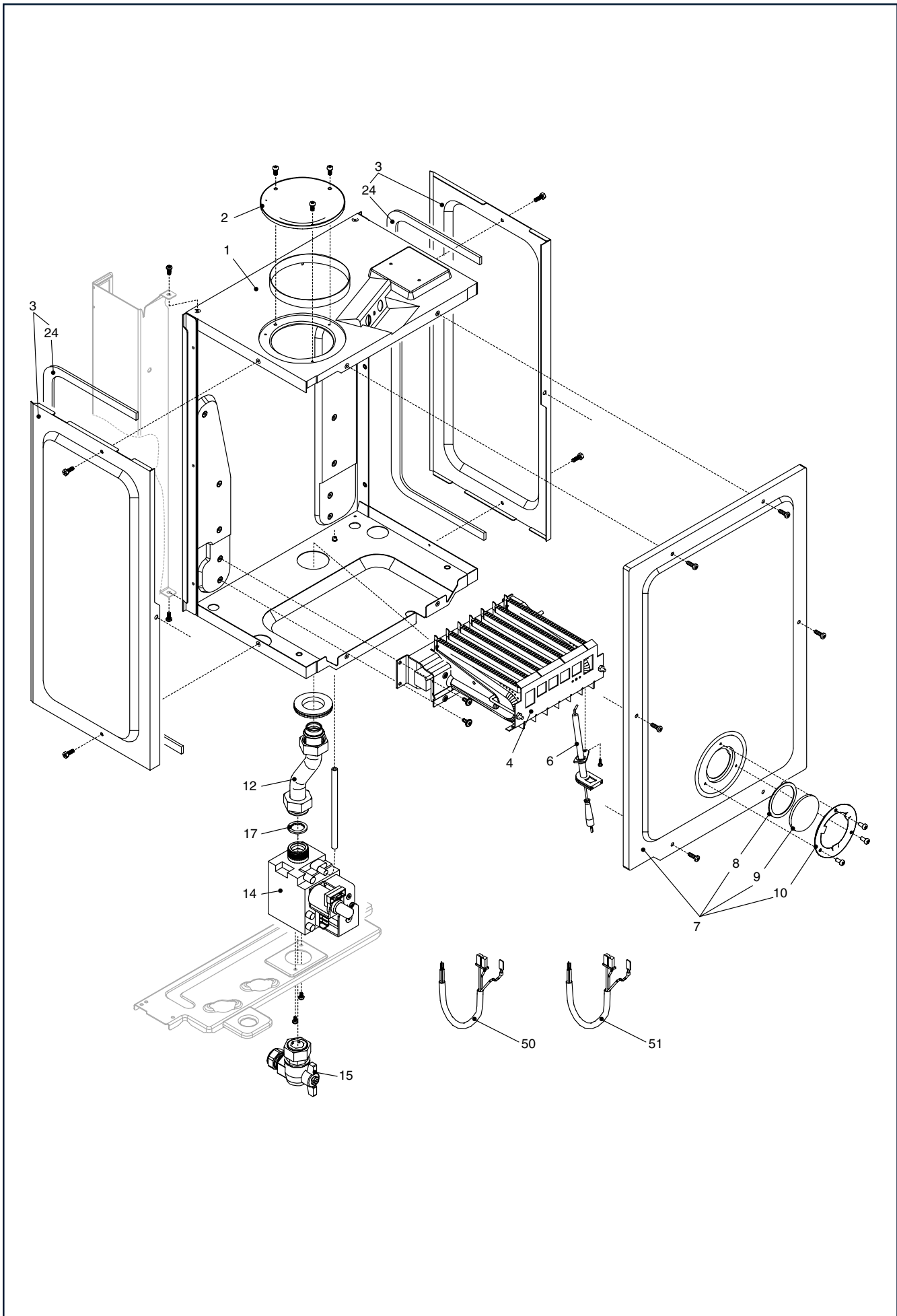
MODEL	PART NUMBER	
	MTN	GPL
MYNUTE 10 E	2350533	2350535
MYNUTE 14 E	2350563	2350565



POS.	DESCRIPTION	10E	14E
1	Frame	R01005135	R01005135
9	Case	R10020973	R10020973
10	Guard	R10021233	R10021233
15	Control shaft for commutator	R10021263	R10021263
16	Selector switch	R9461	R9461
18	Control shaft for potentiometer	R2785	R2785
19	Printed Circuit Board	R10021984	R10021984
20	Led Light Guide	R10021267	R10021267
21	Cover	R10021265	R10021265
22	Cover	R10021266	R10021266
23	Knob	R10021264	R10021264
24	Push-push cover	R1864	R1864
26	Quick primer pressure gauge	R2468	R2468
29	Door panel	R10020966	R10020966
30	Instrumental panel	R10021260	R10021287
34	Transformer	R10021272	R10021272
39	Edge clip	R5128	R5128
40	Case clip	R5588	R5588
50	Wiring harness	R10021271	R10021271



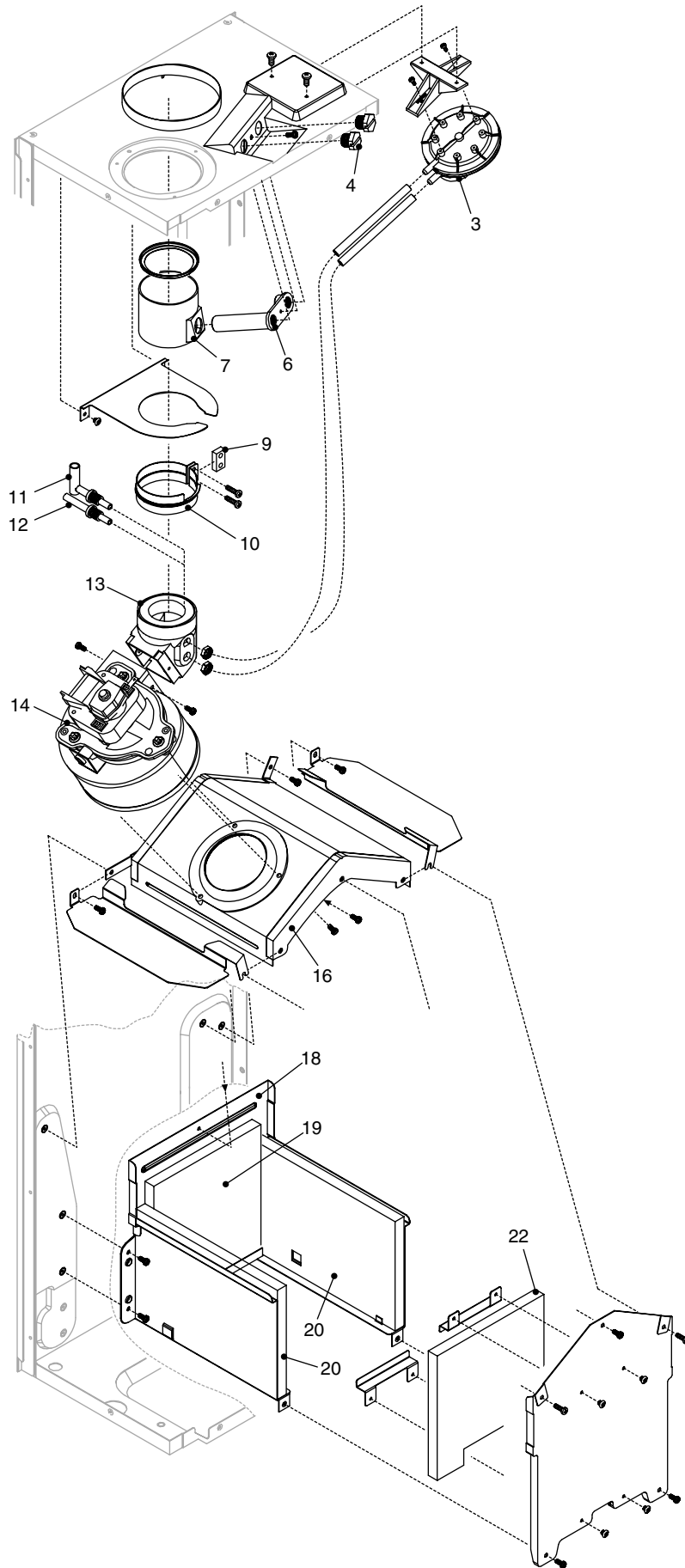
POS.	DESCRIPTION	10E	14E
1	Expansion vessel	R10020840	R10020840
2	Flexible pipe	R10023603	R10023603
3	Automatic air vent bottle	R0439	R0439
4	Up 15-50 pump	R10027370	R10027370
5	Connection	R2217	R2217
6	Safety valve	R1806	R1806
7	Pressure switch	R2044	R2044
8	Connection	R10021251	R10021251
9	Connection	R10022658	R10022658
10	Heating by-pass valve	R2047	R2047
12	Connection	R10022499	R10022499
13	Heating cock	R1789	R1789
14	Pipe	R10021259	R10021259
15	Pipe	R10021258	R10021258
16	Pipe	R10021256	R10021256
17	Pipe	R10021257	R10021257
18	High limit thermostat	R2258	R2258
19	NTC sensor	R10027352	R10027352
20	Heat exchanger	R10021231	R10021231
21	Washer	R5041	R5041
22	Washer	R5023	R5023
27	Washer	R5026	R5026
29	Clip	R2165	R2165
31	O-ring	R6898	R6898
32	Clip	R2223	R2223
33	Clip	R2222	R2222
34	Ogive	R1824	R1824
35	O-ring	R7999	R7999
36	Pipe	R10021906	R10021906
50	Wiring harness	R10021268	R10021268



## BURNER

Drawing 3

POS.	DESCRIPTION	10E	14E
1	Air box bottom	R10021252	R10021252
2	Air box hole cap	R8084	R8084
3	Ambidx air box side	R7832	R7832
4	NG Burner	R2801	R7623
6	Spark electrode	R10021255	R10021255
7	Air box front cover	R5957	R5957
8	Washer	R5072	R5072
9	Pilot sight glass	R3139	R3139
10	Fixing glass flange	R4007	R4007
12	Gas pipe	R10021254	R10021254
14	Gas valve	R10021253	R10021253
15	Gas cock	R10020897	R10020897
17	Washer	R5023	R5023
24	Washer	R5905	R5905
50	Wiring harness	R10021269	R10021269
51	Wiring harness	R10021270	R10021270





## COMBUSTION COMPONENTS

Drawing 4

POS.	DESCRIPTION	10E	14E
3	Pressure differential switch	R01005272	R01005272
4	Brass cap	R8086	R8086
6	Block with combustion analysis check	R10026933	R10026933
7	Fan flue connection	R1141	R1141
9	Washer clamp	R5917	R5917
10	Clamp for 60 tube	R1140	R1140
11	Pressure tube	R7948	R7948
12	Depressure tube	R6985	R6985
13	Fan to flue connector	R7779	R7779
14	Fan	R5963	R5963
16	Hood assembly	R5958	R5958
18	Combustion chamber	R6026	R6026
19	Combustion chamber back panel	R5962	R5962
20	Lateral panel	R5271	R5271
22	Combustion chamber front panel	R5961	R5961





<b>REV.</b>	<b>DATA</b>	<b>DESCRIZIONE</b>
1.0	03/03/06	Modifiche varie



---

Vokera reserve the right to change the specifications without prior notice.  
Consumers' statutory rights are not affected.