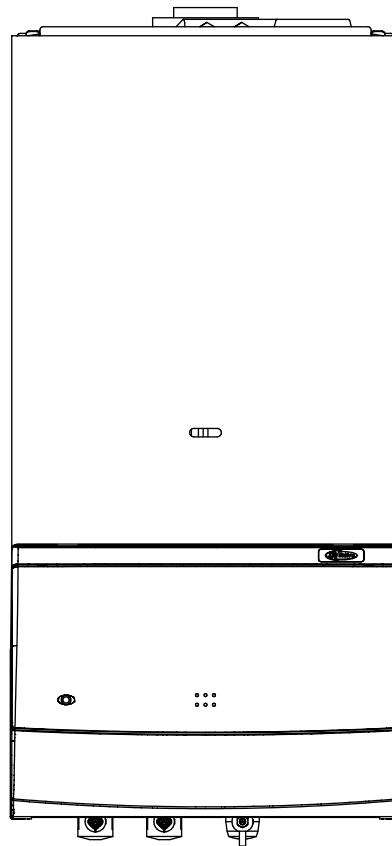
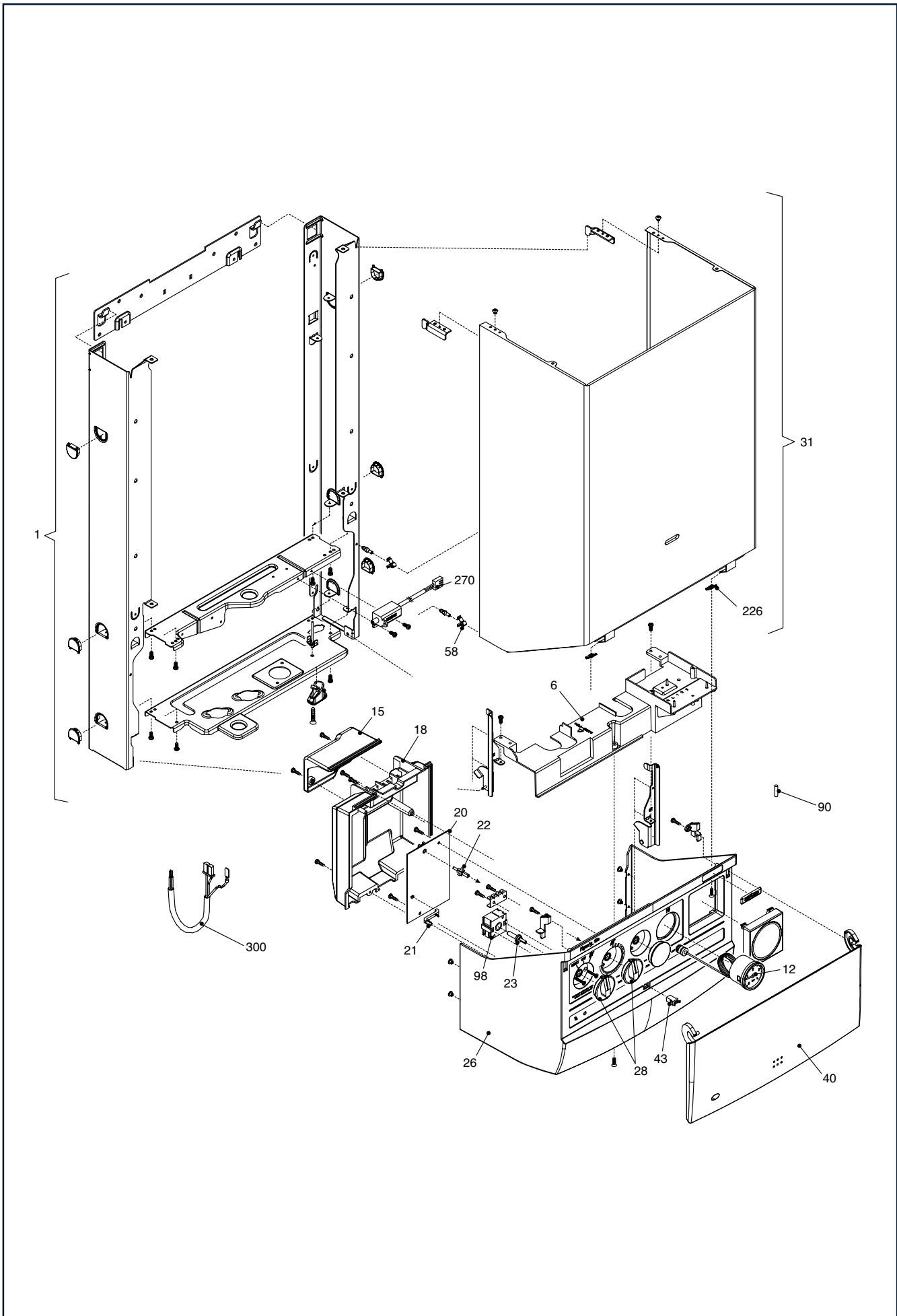


Wall hung boilers

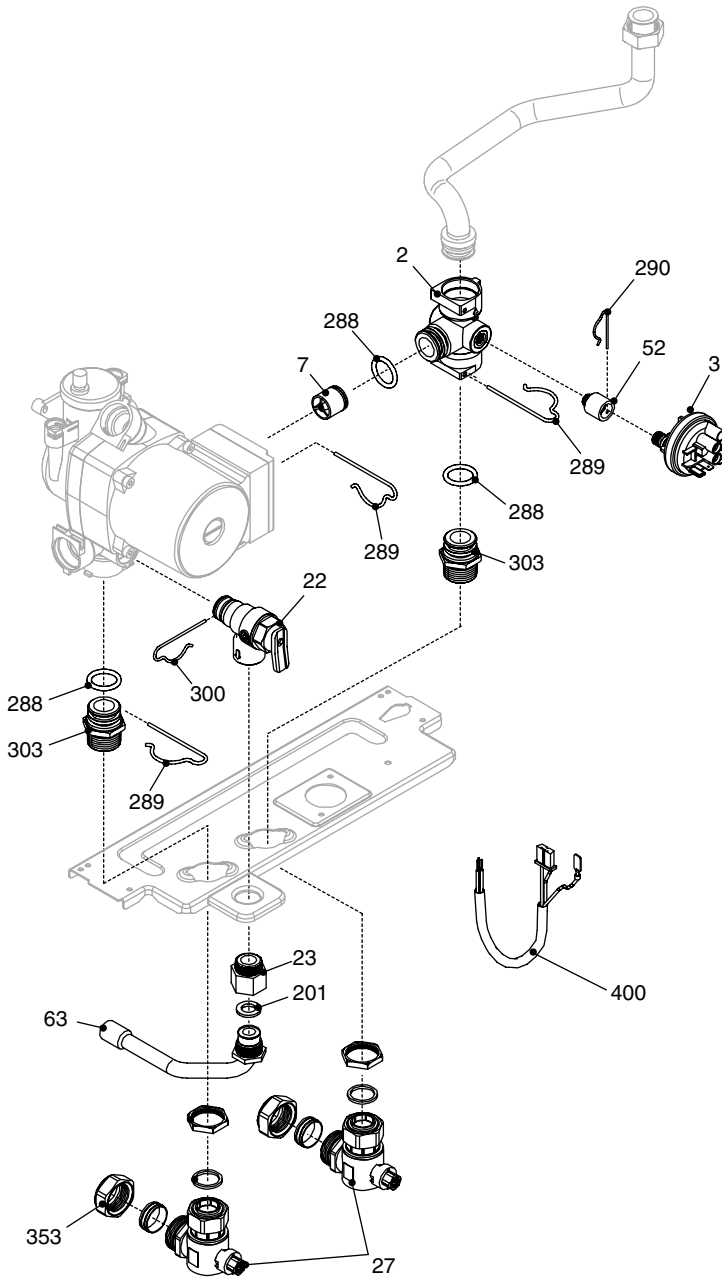
Mynute



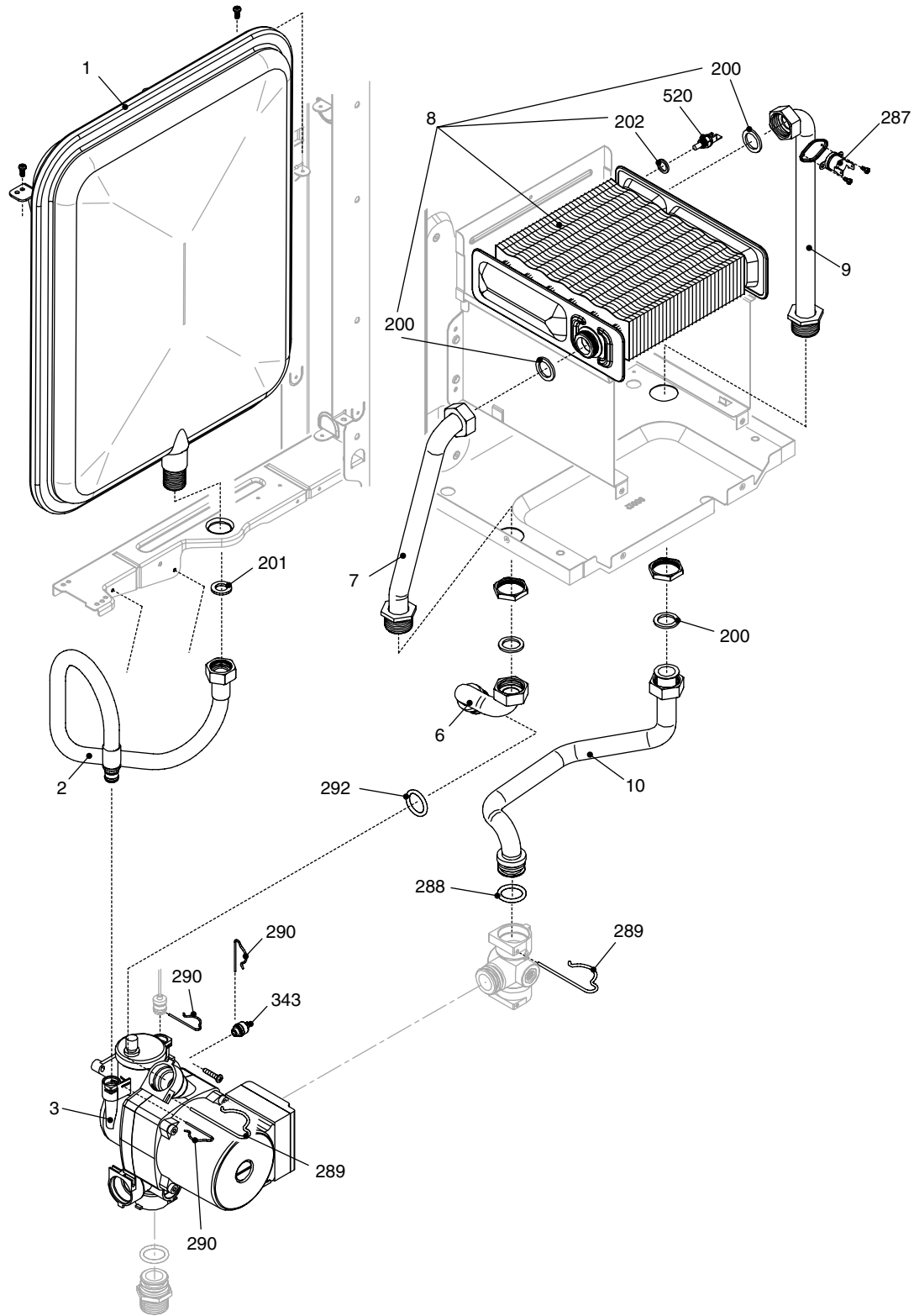
MODEL	PART NUMBER	
	MTN	GPL
MYNUTE 12 E	2350643 (141)	2350645 (142)
MYNUTE 16 E	2350653 (143)	2350655 (144)
MYNUTE 20 E	2350573 (134)	2350575 (135)



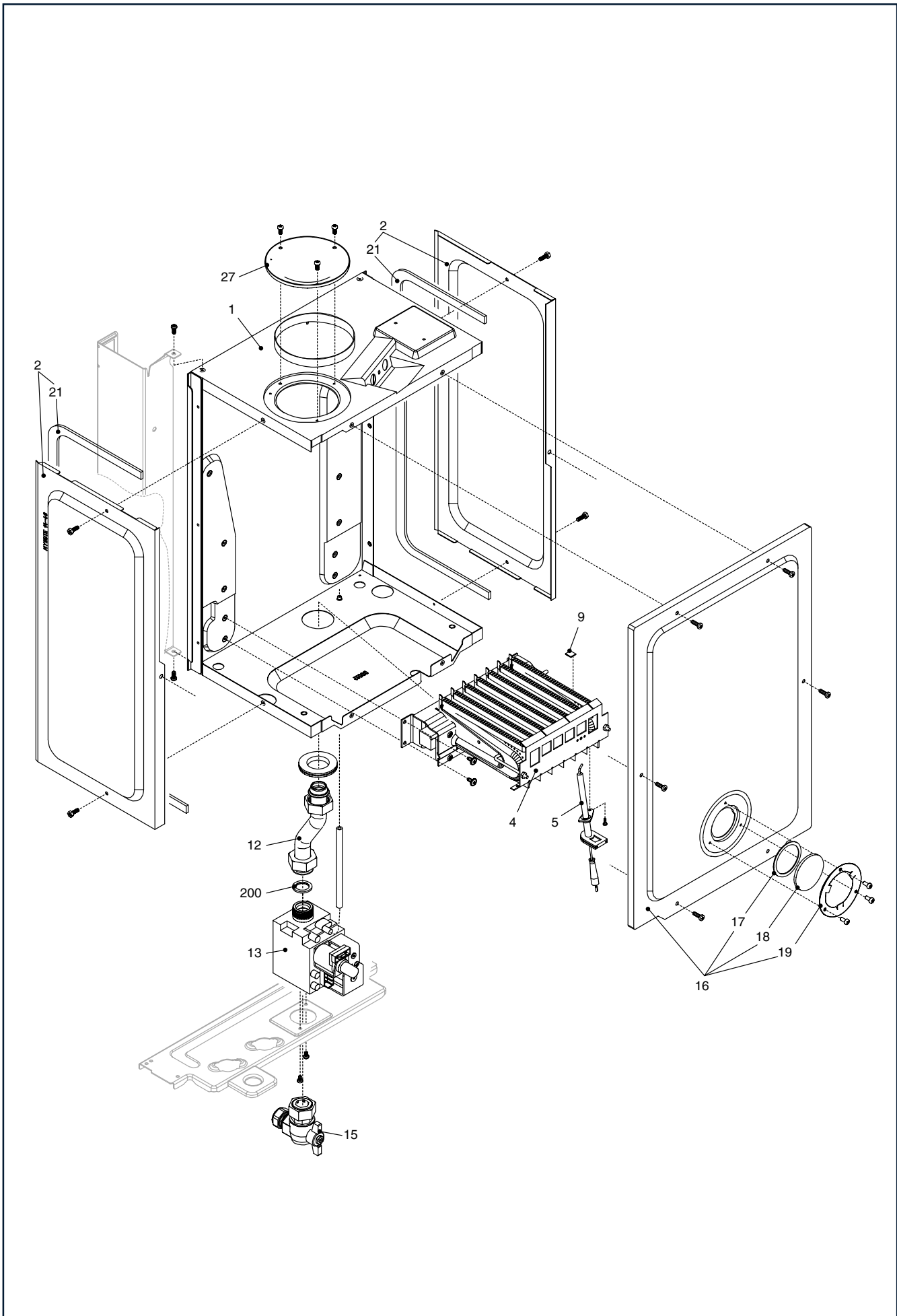
POS.	DESCRIPTION	12 E	16 E	20E
1	Frame	R01005135	R01005135	R01005135
6	Guard	R10021233	R10021233	R10021233
12	Quick primer pressure gauge	R2468	R2468	R2468
15	Cover	R10021266	R10021266	R10021266
18	Cover	R10021265	R10021265	R10021265
20	Printed Circuit Board	R10029470	R10029470	R10029470
21	Led Light Guide	R10021267	R10021267	R10021267
22	Control shaft for potentiometer	R2785	R2785	R2785
23	Control shaft for commutator	R10021263	R10021263	R10021263
26	Instrumental panel	R10023277	R10023281	R10021291
28	Knob	R10021264	R10021264	R10021264
31	Case	R10020973	R10020973	R10020973
40	Door panel	R10020966	R10020966	R10020966
43	Push-push cover	R1864	R1864	R1864
58	Case clip	R5588	R5588	R5588
90	3A fuse	R3478	R3478	-
98	Selector switch	R9461	R9461	R9461
226	Edge clip	R5128	R5128	R5128
270	Transformer	R10021272	R10021272	R10021272
300	Wiring harness	R10021271	R10021271	R10021271



POS.	DESCRIPTION	12 E	16 E	20 E
2	Connection	R10022658	R10022658	R10022658
3	Pressure switch	R2726	R2726	R2726
7	Heating by-pass valve	R2047	R2047	R2047
22	Safety valve	R1806	R1806	R1806
23	Connection	R10022499	R10022499	R10022499
27	Heating cock	R1789	R1789	R1789
52	Connection	R10021251	R10021251	R10021251
63	Pipe	R10021906	R10021906	R10021906
201	Washer	R5026	R5026	R5026
288	O ring	R6898	R6898	R6898
289	Clip	R2223	R2223	R2223
290	Clip	R2165	R2165	R2165
300	Clip	R2222	R2222	R2222
303	Connection	R2217	R2217	R2217
353	Ogive	R1824	R1824	R1824
400	Wiring harness	R10021268	R10021268	R10021268



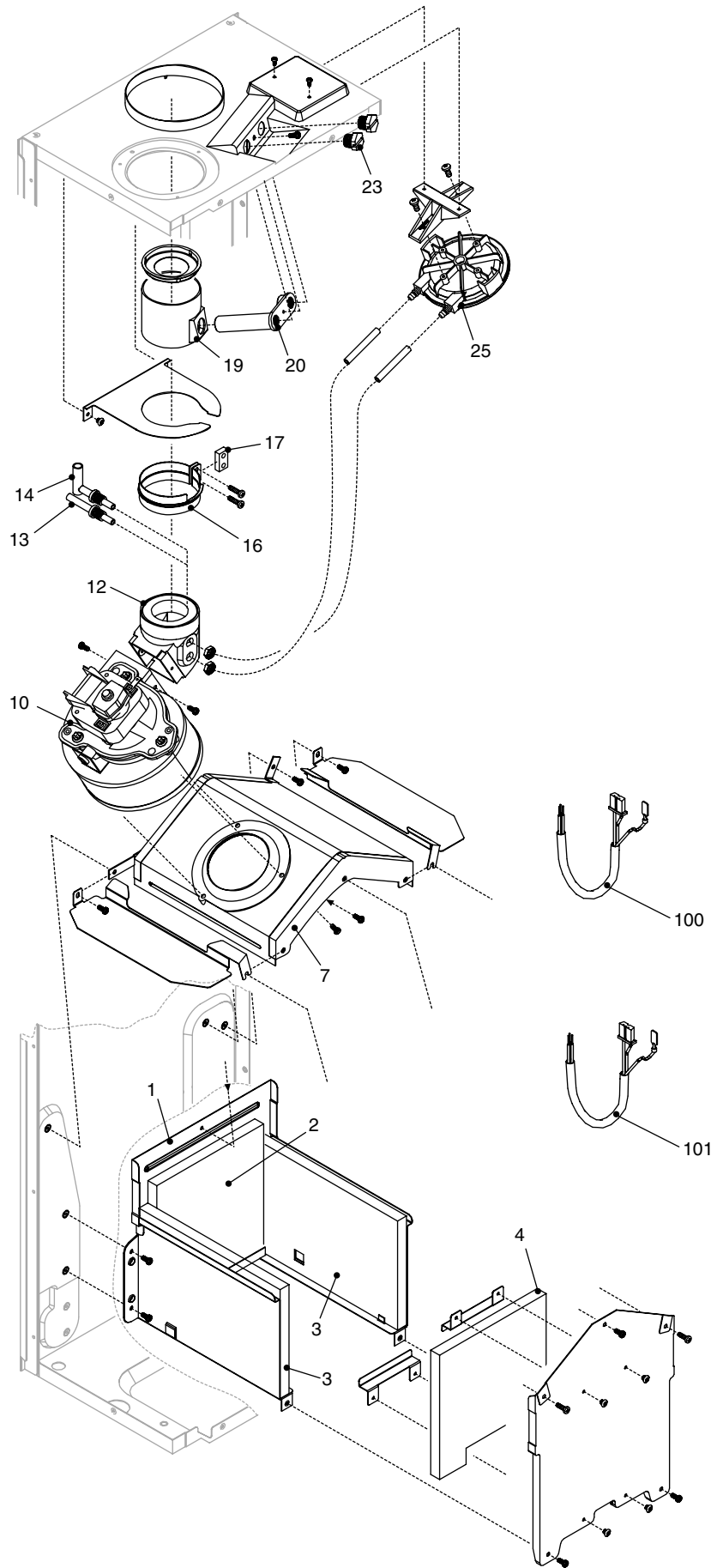
POS.	DESCRIPTION	12 E	16 E	20 E
1	6 Lt. expansion vessel	R10020839	R10020839	R10020839
2	Flexible pipe	R10023603	R10023603	R10023603
3	Up 15-50 pump	20001873	20001873	20001873
6	Pipe	R10021258	R10021258	R10021258
7	Pipe	R10021256	R10021289	R10021289
8	Heat exchanger	R10021231	R10021232	R10021232
9	Pipe	R10021257	R10021290	R10021290
10	Pipe	R10021259	R10021259	R10021259
200	Washer	R5023	R5023	R5023
201	Washer	R5026	R5026	R5026
202	Washer	R5041	R5041	R5041
287	High limit thermostat	R2258	R2258	R2258
288	O ring	R6898	R6898	R6898
289	Clip	R2223	R2223	R2223
290	Clip	R2165	R2165	R2165
292	O ring	R7999	R7999	R7999
343	Cap	R2216	R2216	R2216
520	NTC sensor	R10027352	R10027352	R10027352



BURNER

Drawing 4

POS.	DESCRIPTION	12 E	16 E	20 E
1	Air box bottom	R10021252	R10021288	R10021288
2	Ambidx air box side	R7832	R7824	R7824
4	NG Burner NP	R7623	R10022727	R10022727
5	Spark electrode	R10021255	R10021255	R10021255
9	Burner plate	R5172	R5172	R5172
12	Gas pipe	R10021254	R10021254	R10021254
13	Gas valve	R10021253	R10021253	R10021253
15	Gas cock	R10020897	R10020897	R10020897
16	Air box front cover	R5957	R7822	R7822
17	Washer	R5072	R5072	R5072
18	Pilot sight glass	R3139	R3139	R3139
19	Fixing glass flange	R4007	R4007	R4007
21	Washer	R5905	R5905	R5905
27	Air box hole cap	R8084	R8084	R8084
200	Washer	R5023	R5023	R5023



COMBUSTION COMPONENTS

Drawing 5

POS.	DESCRIPTION	12 E	16 E	20 E
1	Combustion chamber	R6026	R9264	R9264
2	Combustion chamber front panel	R5962	R7818	R7818
3	Lateral panel	R5271	R5271	R5271
4	Combustion chamber front panel	R5961	R7817	R7817
7	Hood assembly	R5958	R2936	R2936
10	Fan	R5963	R6491	R6491
12	Fan to flue connector	R7779	R7816	R7816
13	Depressure tube	R6985	R6985	R6985
14	Pressure tube	R7948	R7948	R7948
16	Clamp for 60 diam. tube	R1140	R5916	R5916
17	Washer clamp	R5917	R5917	R5917
19	Fan flue connection	R1141	R2939	R2939
20	Block with combustion analysis check	R10026933	R10026933	R10026933
23	Brass cap	R8086	R8086	R8086
25	Pressure differential switch	R01005272	R01005272	R01005272
100	Wiring harness	R10021269	R10021269	R10021269
101	Wiring harness	R10021270	R10021270	R10021270

REV.	DATA	DESCRIZIONE
1.0	01/03/02	INSERITO MODELLO MYNUTE 20 E
2.0	01/03/06	MODIFICHE VARIE
3.0	12/03/07	MODIFICHE VARIE
4.0	18/02/08	MODIFICHE VARIE



Vokera reserve the right to change the specifications without prior notice.
Consumers' statutory rights are not affected.