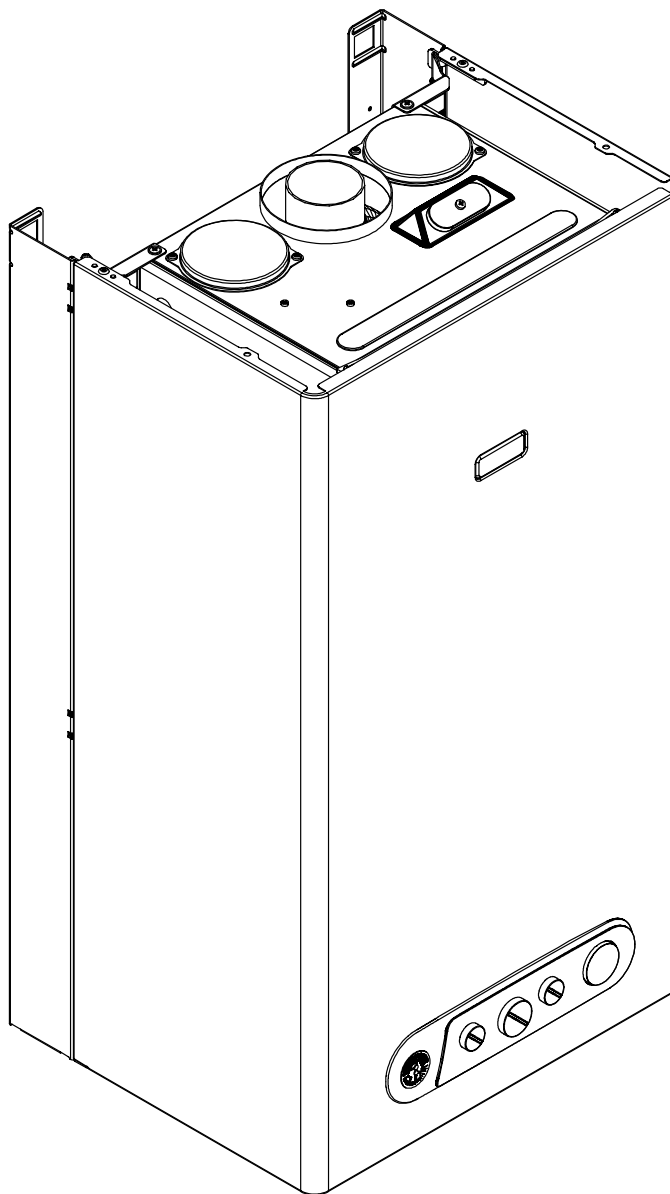
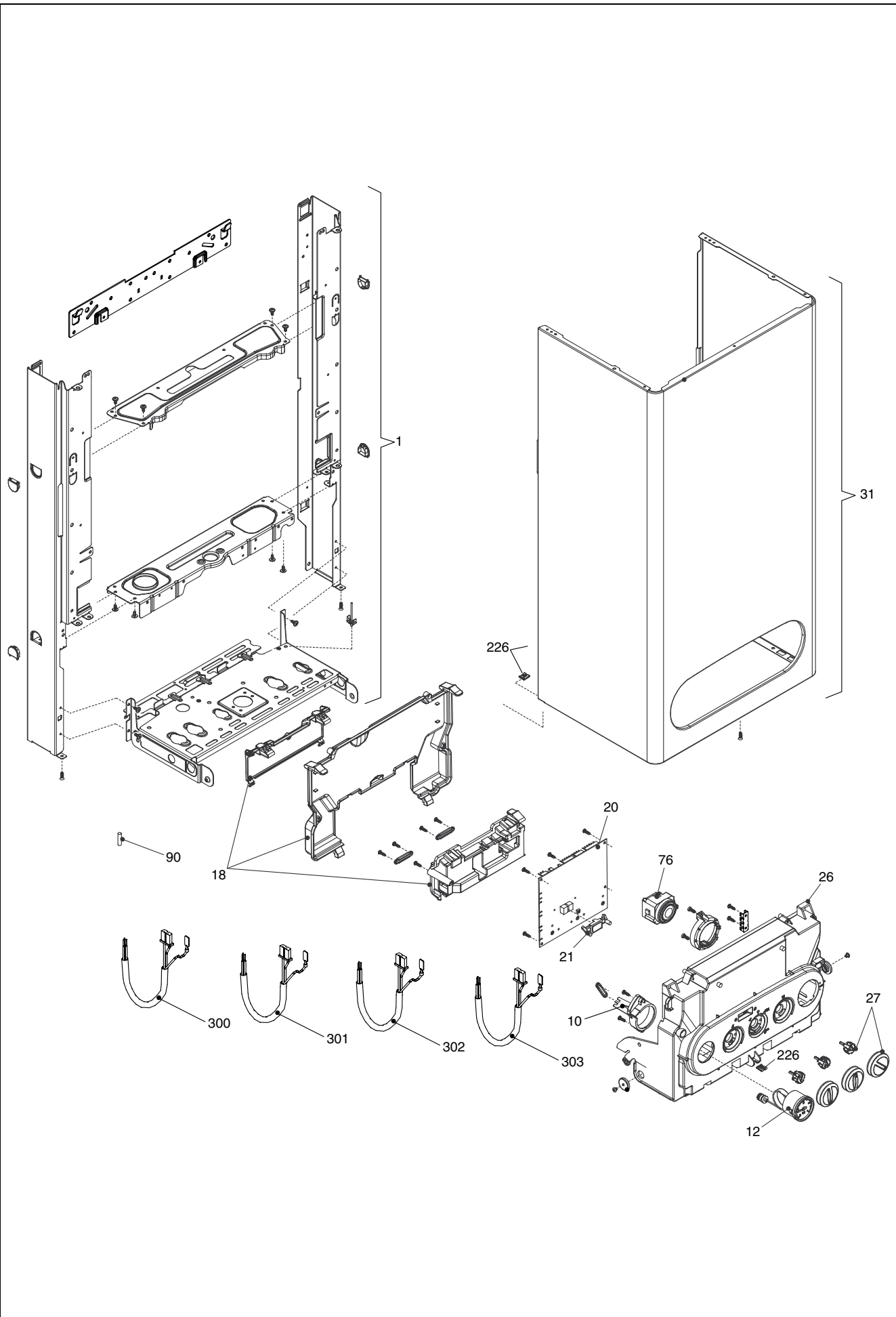


Wall hung boilers

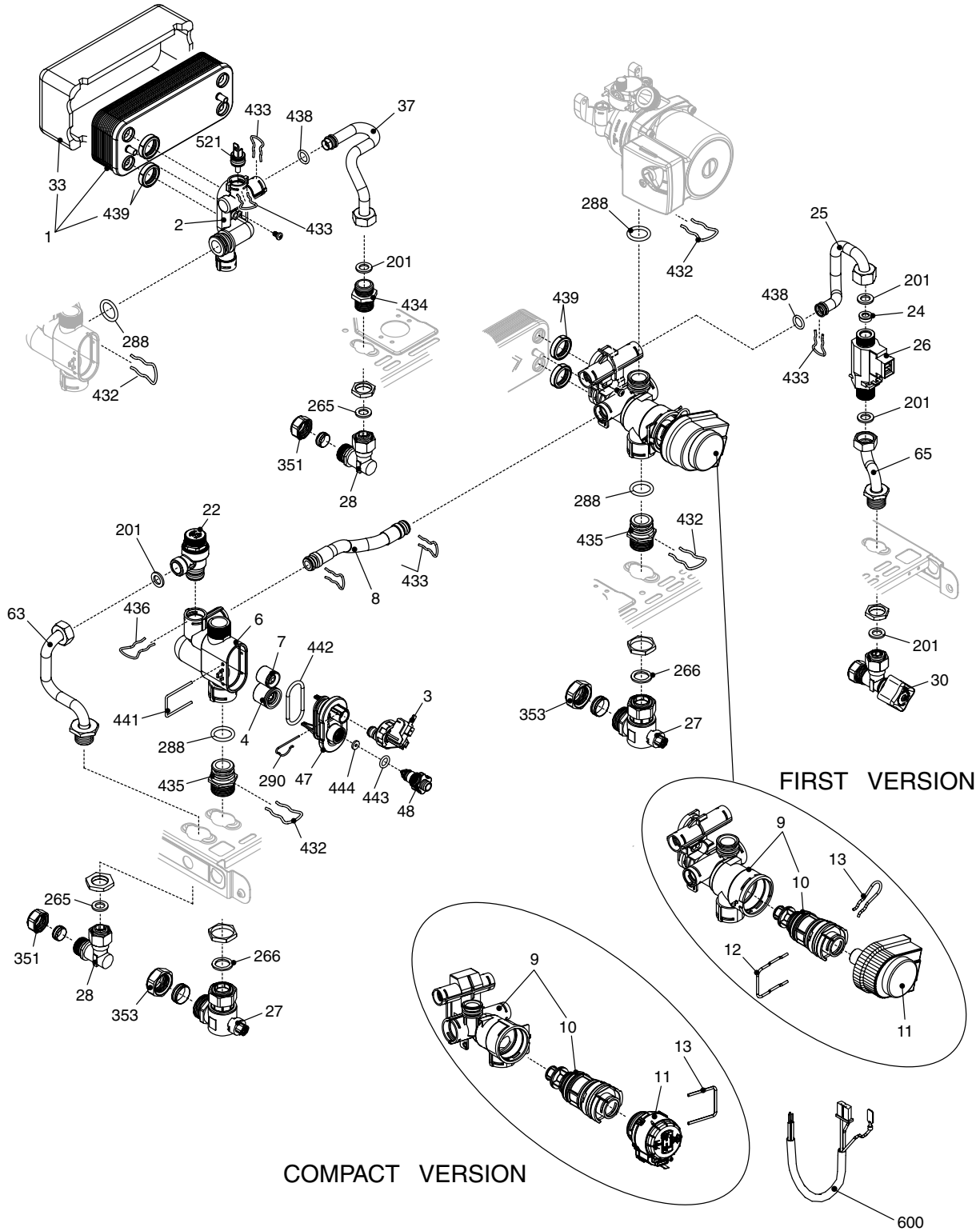
Procombi



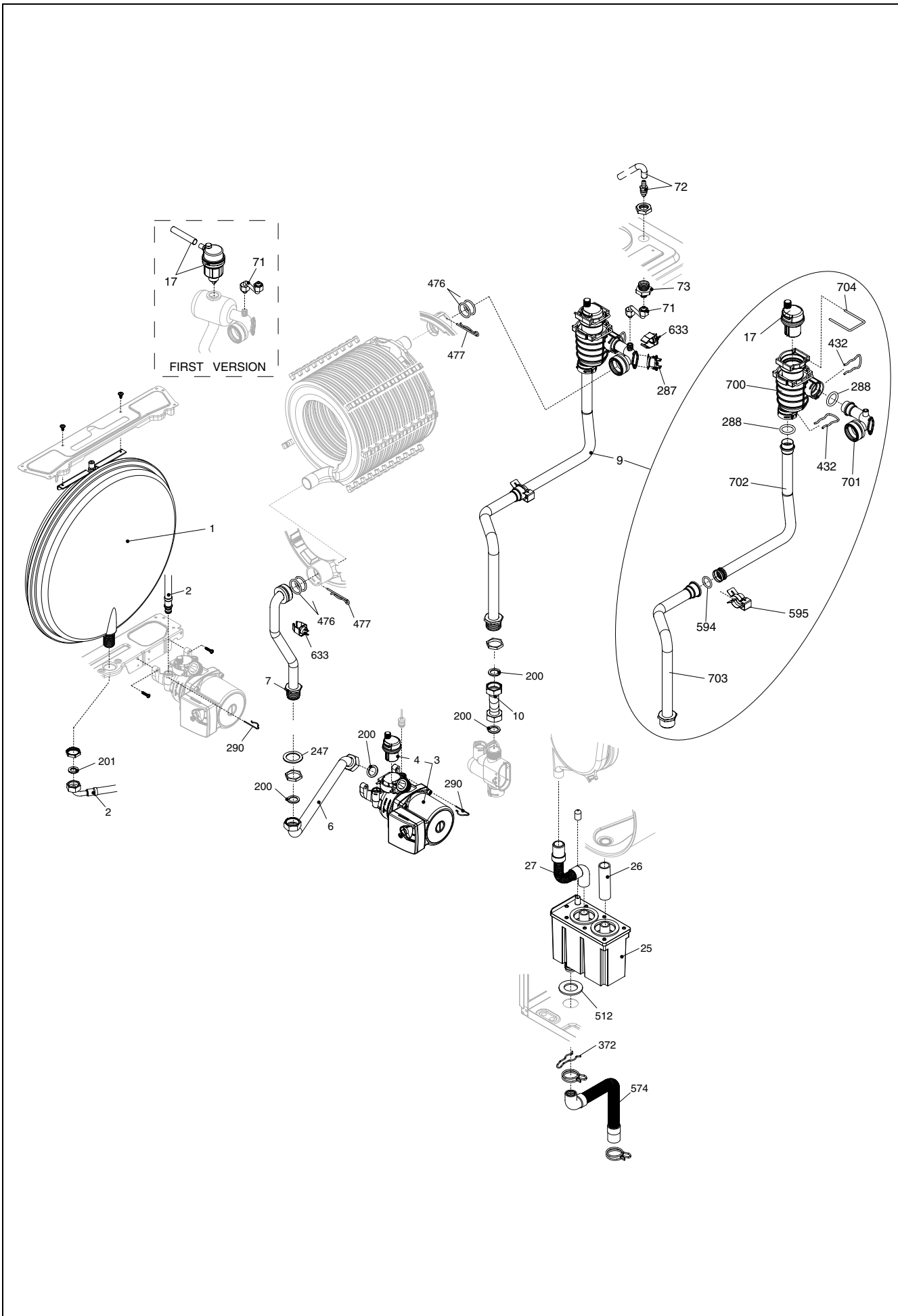
| MODEL | PART NUMBER | |
|--------------|-------------|-----|
| | MTN | GPL |
| Procombi A28 | 20004212 | - |
| Procombi A32 | 20004213 | - |
| Procombi A36 | 20004214 | - |



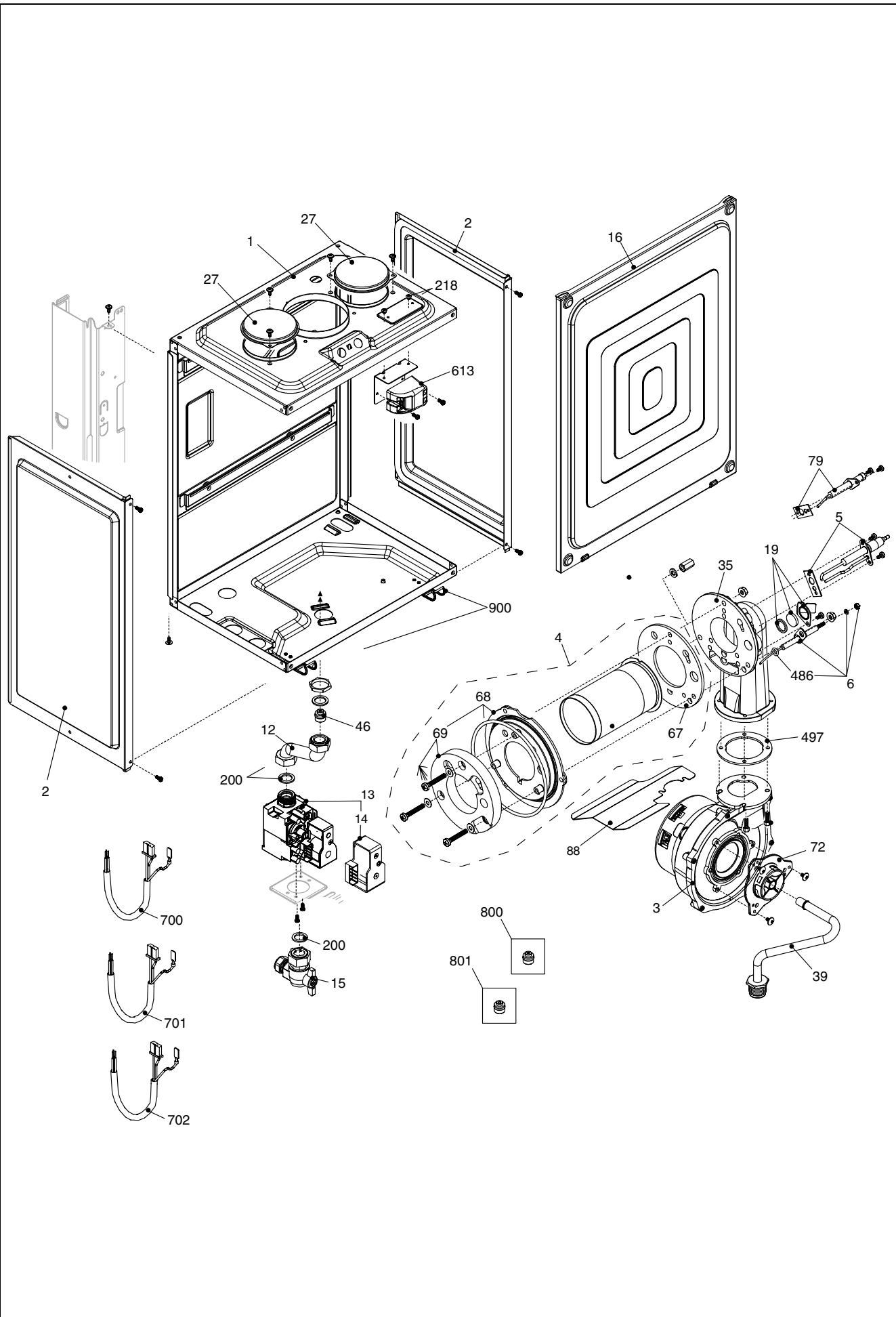
| POS. | DESCRIPTION | A28 | A32 | A36 |
|------|-----------------------|-----------|-----------|-----------|
| 1 | Frame | R01005415 | R01005416 | R01005416 |
| 10 | Water gauge carrier | R10029105 | R10029105 | R10029105 |
| 12 | Pressure gauge | R2564 | R2564 | R2564 |
| 18 | Cover assembly | R10028554 | R10028554 | R10028554 |
| 20 | Printed circuit board | 20008307 | 20008307 | 20008307 |
| 21 | Led light guide | R10028557 | R10028557 | R10028557 |
| 26 | Instrumental panel | 20005205 | 20005205 | 20005205 |
| 27 | Knob assembly | R10028559 | R10028559 | R10028559 |
| 31 | Case Assembly | R01005481 | R01005482 | R01005482 |
| 76 | Timer | R10028496 | R10028496 | R10028496 |
| 90 | Fuse | R3478 | R3478 | R3478 |
| 226 | Clip | R5128 | R5128 | R5128 |
| 300 | Wiring harness | R10028593 | R10028593 | R10028593 |
| 301 | Power wiring harness | R10028596 | R10028596 | R10028596 |
| 302 | Low tension cable | R10029107 | R10029107 | R10029107 |
| 303 | Clock wires | R10023940 | R10023940 | R10023940 |



| POS. | DESCRIPTION | A28 | A32 | A36 |
|------|---|-----------|-----------|-----------|
| 1 | Exchanger | R8037 | R1957 | R10024627 |
| 2 | Connection | R10030114 | R10030114 | R10030114 |
| 3 | Pressure water switch | R10028141 | R10028141 | R10028141 |
| 4 | Non return valve | R10025056 | R10025056 | R10025056 |
| 6 | By-pass casing | R10024642 | R10024642 | R10024642 |
| 7 | Heating by-pass valve | R2047 | R2047 | R2047 |
| 8 | Pipe | R10026193 | R10026193 | R10026193 |
| 9 | Heating manifold (first version) | R10026506 | R10026506 | R10026506 |
| 9 | Heating manifold (compact version) | 20017599 | 20017599 | 20017599 |
| 10 | 3 way valve cartridge (first version) | R10025305 | R10025305 | R10025305 |
| 10 | 3 way valve cartridge (compact version) | 20043594 | 20043594 | 20043594 |
| 11 | Actuator (first version) | R10025304 | R10025304 | R10025304 |
| 11 | Actuator (compact version) | 20017594 | 20017594 | 20017594 |
| 12 | Clip | R10025450 | R10025450 | R10025450 |
| 13 | Clip (first version) | R10025449 | R10025449 | R10025449 |
| 13 | Clip (compact version) | 20017598 | 20017598 | 20017598 |
| 22 | Safety valve | 20043820 | 20043820 | 20043820 |
| 24 | Flow governor | R10024987 | R10025080 | R10026046 |
| 24 | Flow governor | R10026044 | R10026041 | R10026041 |
| 24 | Flow governor | R10026045 | R10026045 | R10026042 |
| 25 | Pipe | R10026423 | R10026423 | R10026423 |
| 26 | Dhw actuator | R10022349 | R10022349 | R10022349 |
| 27 | Heating cock | R1789 | R1789 | R1789 |
| 28 | Connection | R1790 | R1790 | R1790 |
| 30 | Water supply stop cock | R10025733 | R10025733 | R10025733 |
| 33 | Insulator | 20007057 | 20007047 | 20007047 |
| 37 | Pipe | R10030509 | R10030509 | R10030509 |
| 47 | Cover for by-pass assembly | R10024643 | R10024643 | R10024643 |
| 48 | Cock | R10024646 | R10024646 | R10024646 |
| 63 | Pipe | R10028492 | R10028492 | R10028492 |
| 65 | Pipe | R10026422 | R10026422 | R10026422 |
| 201 | Washer | R5026 | R5026 | R5026 |
| 265 | Washer | R5236 | R5236 | R5236 |
| 266 | Washer | R5237 | R5237 | R5237 |
| 288 | Ring | R6898 | R6898 | R6898 |
| 290 | Clip | R2165 | R2165 | R2165 |
| 351 | Nut | R1823 | R1823 | R1823 |
| 353 | Nut | R1824 | R1824 | R1824 |
| 432 | Clip | R10024958 | R10024958 | R10024958 |
| 433 | Clip | R10024986 | R10024986 | R10024986 |
| 434 | Nipple | R10024985 | R10024985 | R10024985 |
| 435 | Fitting/union | R10025059 | R10025059 | R10025059 |
| 436 | Clip | R10025062 | R10025062 | R10025062 |
| 438 | O ring | R10024988 | R10024988 | R10024988 |
| 439 | Washer | R10025067 | R10025067 | R10025067 |
| 441 | Clip | R10025063 | R10025063 | R10025063 |
| 442 | O ring | R10025065 | R10025065 | R10025065 |
| 443 | O ring | R10025064 | R10025064 | R10025064 |
| 444 | Washer | R10025066 | R10025066 | R10025066 |
| 521 | NTC sensor | R10027351 | R10027351 | R10027351 |
| 600 | Pump cable (first version) | R10030450 | R10030450 | R10030450 |
| 600 | Pump cable (compact version) | 20020914 | 20020914 | 20020914 |



| POS. | DESCRIPTION | A28 | A32 | A36 |
|------|----------------------------------|-----------|-----------|-----------|
| 1 | Expansion vessel | R2204 | R2573 | R2573 |
| 2 | Pipe | R10025188 | R10025188 | R10025188 |
| 3 | Pump | R10027571 | R10027571 | R10027571 |
| 4 | Air vent bottle | R10025485 | R10025485 | R10025485 |
| 6 | Pipe | R10030440 | R10026552 | R10026552 |
| 7 | Pipe | R10026267 | R10026267 | R10026267 |
| 9 | Pipe | 20020900 | 20019769 | 20045328 |
| 10 | Pipe | R10030441 | R10030477 | R10030477 |
| 17 | Air venting plug (first version) | R10029306 | R10029306 | R10029306 |
| 17 | Air venting plug | 20019768 | 20019768 | 20019768 |
| 25 | Siphon | R10028405 | R10028405 | R10028405 |
| 26 | Flexible pipe | R10028540 | R10027191 | R10027191 |
| 27 | Flexible pipe | R10027192 | R10027192 | R10027192 |
| 71 | Pipe (first version) | R10028430 | R10028516 | R10028515 |
| 71 | Pipe | 20020181 | 20019766 | 20020178 |
| 72 | Venting-plug | R10023235 | R10023235 | R10023235 |
| 73 | Cock | R10028431 | R10028431 | R10028431 |
| 200 | Washer | R5023 | R5023 | R5023 |
| 201 | Washer | R5026 | R5026 | R5026 |
| 247 | Washer | R5203 | R5203 | R5203 |
| 287 | High limit thermostat | R2258 | R2258 | R2258 |
| 288 | O ring | R6898 | R6898 | R6898 |
| 290 | Clip | R2165 | R2165 | R2165 |
| 372 | Clip | R2588 | R2588 | R2588 |
| 432 | Clip | R10024958 | R10024958 | R10024958 |
| 476 | O ring | R10026324 | R10026324 | R10026324 |
| 477 | Split pin | R10026269 | R10026269 | R10026269 |
| 512 | Washer | R10027193 | R10027193 | R10027193 |
| 574 | Flexible pipe | R10028539 | R10028539 | R10028539 |
| 594 | O ring | 20024869 | 20024869 | 20024869 |
| 595 | Clip | 20024086 | 20024086 | 20024086 |
| 633 | Detector | 20003819 | 20003819 | 20003819 |
| 700 | Air venting plug kit | 20019888 | 20019888 | 20032553 |
| 701 | Pipe | 20019764 | 20019764 | 20019764 |
| 702 | Pipe | 20019763 | 20019763 | 20019763 |
| 703 | Pipe | 20020899 | 20019765 | 20020192 |
| 704 | Clip | 20019767 | 20019767 | 20019767 |



| POS. | DESCRIPTION | A28 | A32 | A36 |
|------|----------------------------|-----------|-----------|-----------|
| 1 | Roomsealed chamber | R10028479 | R10028447 | R10028447 |
| 2 | Roomsealed chamber side | R10026231 | R10026231 | R10026231 |
| 3 | Fan | R10028456 | R10028456 | R10028456 |
| 4 | Burner assembly | R10028537 | R10028537 | R10028537 |
| 5 | Spark / ignition electrode | R10027864 | R10027864 | R10027864 |
| 6 | Condense electrode | R10026316 | R10026316 | R10026316 |
| 12 | Gas pipe | R10029096 | R10030387 | R10030387 |
| 13 | Gas valve | 20039202 | 20039202 | 20039202 |
| 14 | Gas valve solenoid | 20040675 | 20040675 | 20040675 |
| 15 | 3/4" gas cock | R10020897 | R10020897 | R10020897 |
| 16 | Combustion chamber cover | R10028345 | R10026230 | R10026230 |
| 19 | Glass stopper assembly | R10026328 | R10026328 | R10026328 |
| 27 | Plug | 20005586 | 20005586 | 20005586 |
| 35 | Air gas conveyor | R10028420 | R10028420 | R10028420 |
| 39 | Pipe | R10030381 | R10028204 | R10028206 |
| 46 | Gas diaphragm 6,7 | R10027161 | R10027161 | R10027162 |
| 67 | Washer Ø 62 | R10026322 | R10026322 | R10026322 |
| 68 | Flange and insulation | 20046835 | 20046835 | 20046835 |
| 69 | Tryton | 20046836 | 20046836 | 20046836 |
| 72 | Mixer | 20015932 | 20015932 | 20015932 |
| 79 | Flame detection electrode | R10028422 | R10028422 | R10028422 |
| 88 | Fan protection | 20006411 | 20006411 | 20006411 |
| 200 | Washer | R5023 | R5023 | R5023 |
| 486 | O ring | R10026325 | R10026325 | R10026325 |
| 497 | Washer | R10026796 | R10026796 | R10026796 |
| 613 | Ignition transformer | 20001563 | 20001563 | 20001563 |
| 700 | Spark electrode cable | R10026558 | R10026558 | R10026558 |
| 701 | Gas valve cable | R10029108 | R10029108 | R10029108 |
| 702 | Ignition cable | 20001681 | 20001681 | 20001681 |
| 800 | Ng conversion kit | R01005465 | R01005465 | R01005466 |
| 801 | LPG conversion kit | R01005447 | R01005447 | R01005448 |
| 900 | Clip | 20061168 | 20061168 | 20061168 |

| POS. | DESCRIPTION | A28 | A32 | A36 |
|------|-------------------------------|-----------|-----------|-----------|
| 1 | Condensing exchanger assembly | R01005443 | R01005366 | R01005369 |
| 7 | Conveyor | 20008306 | 20007053 | 20007053 |
| 12 | Flue drain connection | R10028421 | R10028421 | R10028421 |
| 27 | Nut screw | R10020625 | R10020625 | R10020625 |
| 30 | Flange | 20047573 | 20047573 | 20047573 |
| 31 | Burner flange | 20047807 | 20047807 | 20047807 |
| 52 | Bracket-kit | 20051029 | 20051029 | 20051029 |
| 54 | Ring closing | 20047811 | 20047811 | 20047811 |
| 56 | Insulation panel | 20047812 | 20047812 | 20047812 |
| 57 | Tryton retarder | 20036537 | 20036537 | 20036537 |
| 100 | Container exchanger | 20048269 | 20048270 | 20048271 |
| 392 | Washer | 20047819 | 20047819 | 20047819 |
| 475 | Outlet heat exch.seal gasket | R10026323 | R10026323 | R10026323 |
| 481 | Washer | 20047802 | 20047802 | 20047802 |
| 482 | Inlet heat exch.seal gasket | R10026366 | R10026366 | R10026366 |
| 487 | Washer Ø 60 | R10026345 | R10026345 | R10026345 |
| 552 | Washer Ø 60 | R10028426 | R10028426 | R10028426 |
| 614 | High limit | 20001564 | 20001564 | 20001564 |
| 700 | Combustion cable | R10028595 | R10028601 | R10028601 |
| 900 | Tube sealant | 20047820 | 20047820 | 20047820 |

| Rev. | data | Descrizione |
|-------------|-------------|--|
| 1.0 | 12/01/2010 | E00120080360 : coibente scambiatore – E00120080318 : protezione ventilatore E00120090526 : mixer – E00120090590 : rampa degasatore E00120090613 : tappo scatola aria |
| 2.0 | 26/01/2011 | E00120080360 : coibente scambiatore E00120100115 : Molletta e OR rampa degasatore |
| 3.0 | 11/04/2011 | E00120110166 : eliminata protezione curva scambiatore Inserito tryton scambiatore condensante |
| 4.0 | 03/08/2011 | E00120110317 : nuova bobina valvola gas - E00120110306 : valvola gas |
| 5.0 | 30/12/2011 | E00120110744 : flangia e isolante bruciatore E00120110494 : valvola di sicurezza 3 bar |
| 6.0 | 05/06/2011 | E001201200181 : valvola tre vie – E00120120111 : tappo degasatore due fori Gestione componenti scambiatore condensant –E00120100695 : scheda gestione |
| 7.0 | 12/03/2013 | Cambiato bruciatore mail 12/03/13 di M.Bonaiti Aggiunte clip scatola aria |

