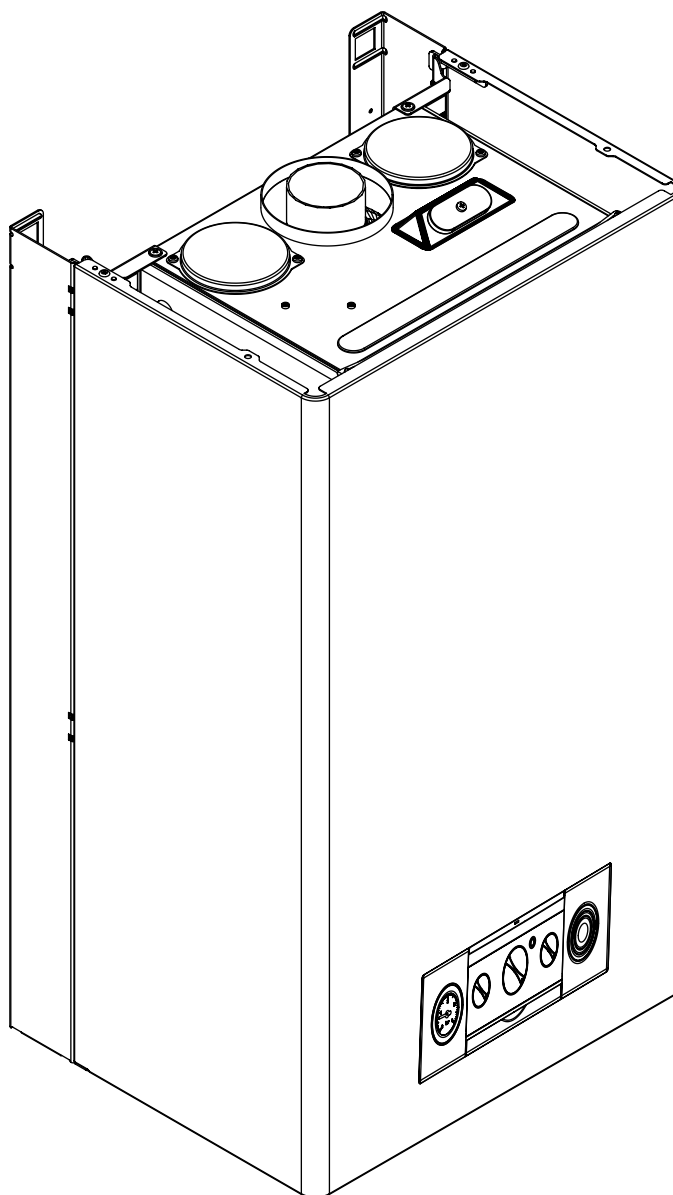


Wall hung boilers

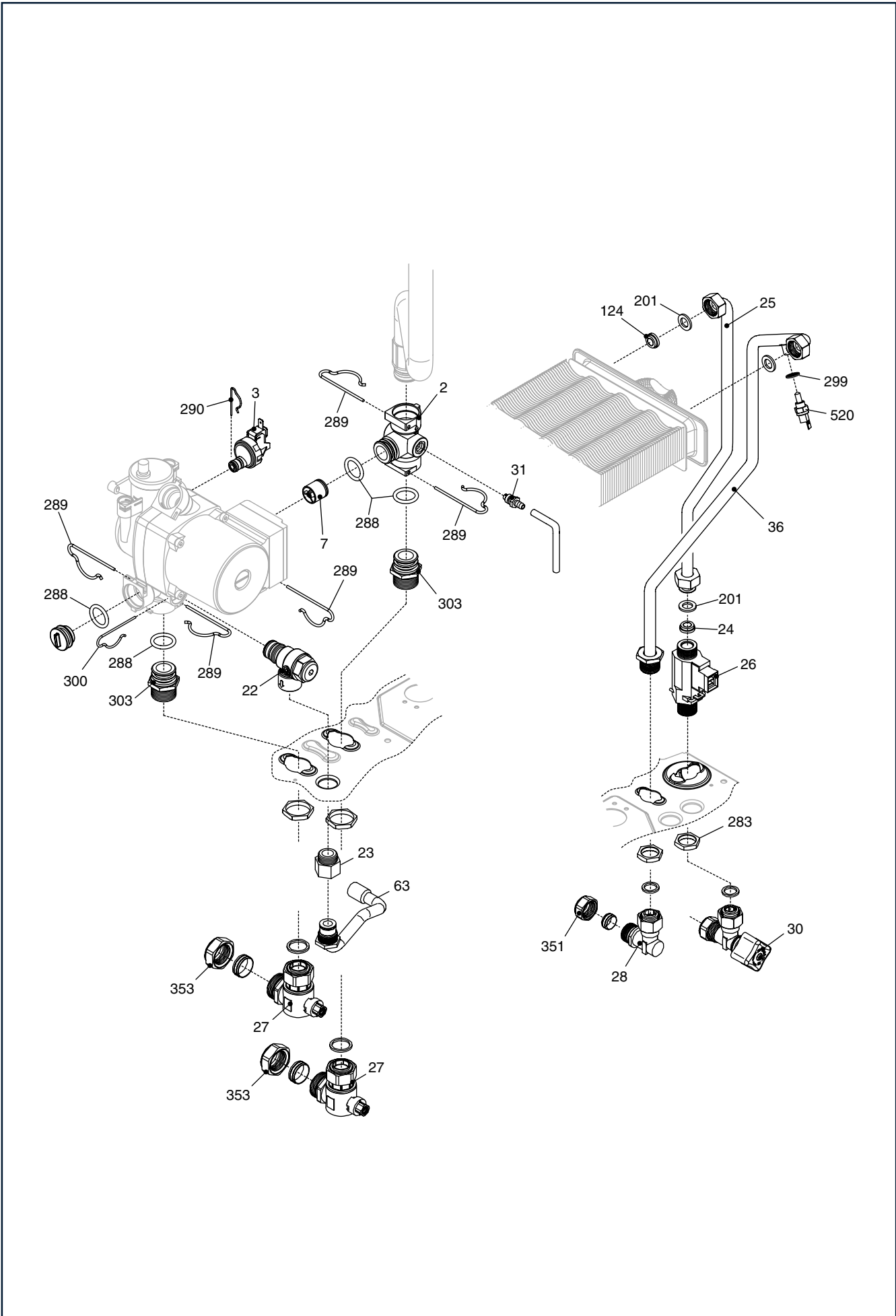
# Ultimate Discount Sabre



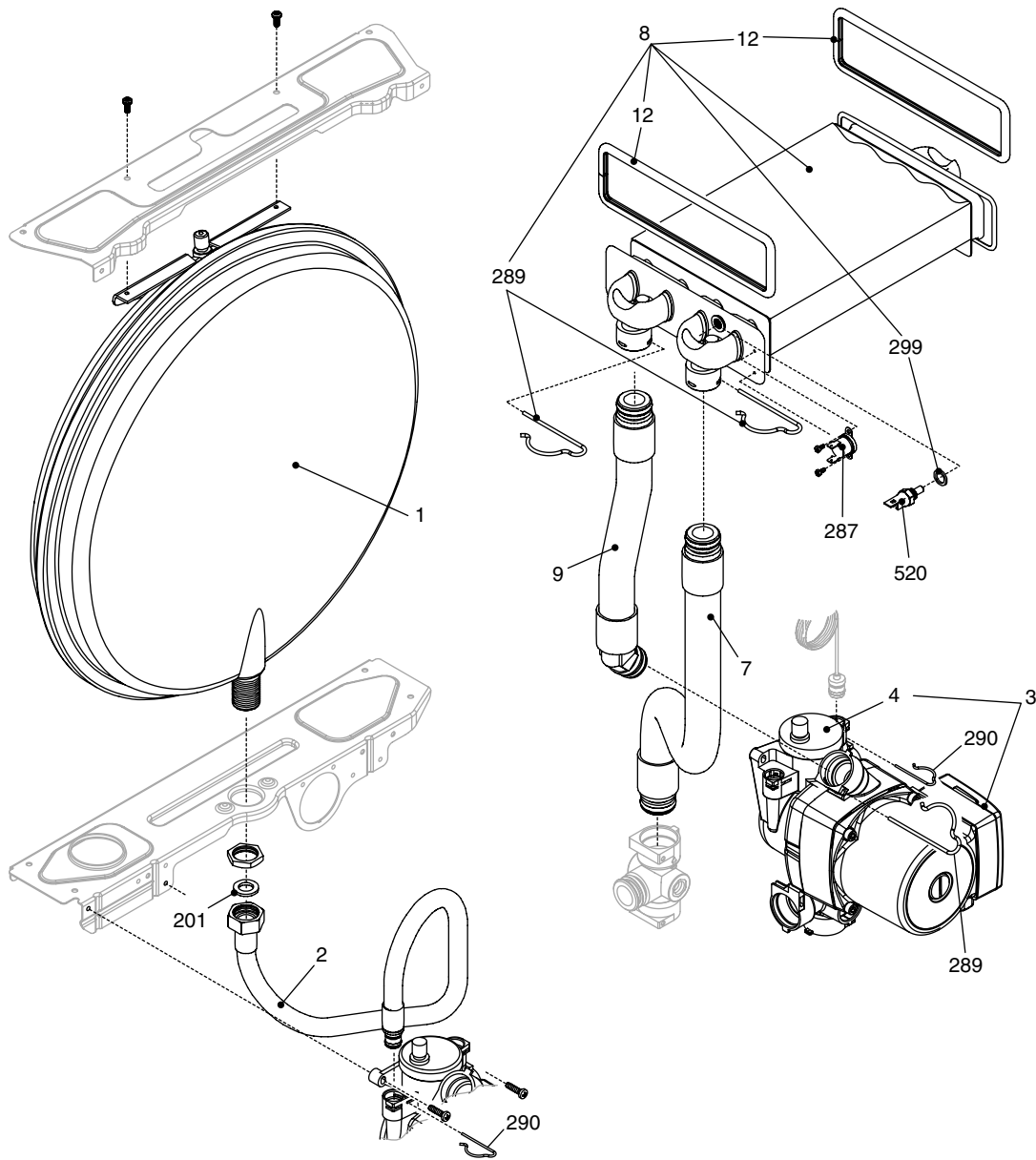
MODEL	PART NUMBER	
	MTN	GPL
SABRE 24	1320003 (826)	1320005 (827)
SABRE 28	1320013 (828)	1320015 (829)



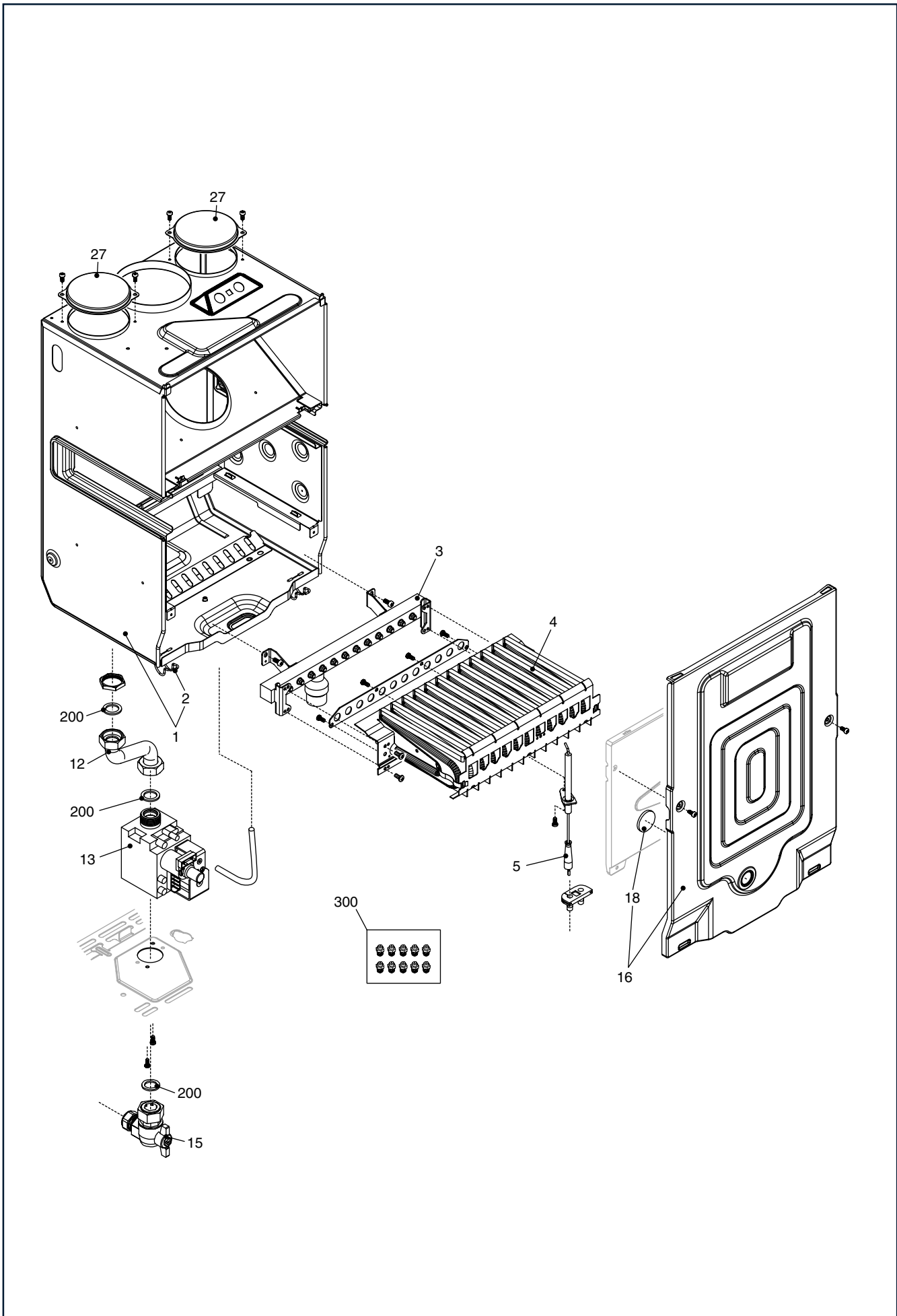
POS.	DESCRIPTION	24	28
1	Frame	R01005282	R01005330
12	Quick primer pressure gauge	R2564	R2564
18	Printed Circuit Board cover	R10024976	R10024976
19	Ignition module	R10028890	R10028890
20	Printed Circuit Board (CP08)	R10023537	R10023537
20	Printed Circuit Board (CPBTR08)	R10030433	R10030433
21	Led Light Guide	R10023816	R10023816
26	Instrumental panel	20001140	20001140
27	Control knob	R10023937	R10023937
28	Control knob	R10023936	R10023936
31	Case	R10025728	R10025739
34	Fixing flange	R10025731	R10025731
49	Converter	R10023935	R10023935
76	Timer	R10023938	R10023938
90	3 A Fuse	R3478	R3478
226	Edge clip	R5128	R5128
270	Transformer	R10021272	R10021272
300	Wiring harnes	R10023840	R10023840
301	Wiring harnes	R10023939	R10023939
302	Wiring harnes	R10023940	R10023940



POS.	DESCRIPTION	24	28
2	Connection	R10022658	R10022658
3	Pressure switch	R10028141	R10028141
7	By-pass valve	R2047	R2047
22	Safety valve	R2907	R2907
23	Connection	R10022499	R10022499
24	Flow governor *	R10024987	R10025080
		R8008	R8009
25	Pipe	R10020714	R10023950
26	DHW actuator	R10022349	R10022349
27	Heating cock	R1789	R1789
28	Connection	R1790	R1790
30	Water supply stop cock	R10025733	R10025733
31	Venting plugs kit	R01005137	R01005137
36	Pipe	R10020612	R10023949
63	Pipe	R10020898	R10020898
124	Flow governor	R1466	R1466
201	Washer	R5026	R5026
288	O ring	R6898	R6898
289	Clip	R2223	R2223
290	Clip	R2165	R2165
299	Washer	R10022726	R10022726
300	Clip	R2222	R2222
303	Connection	R2217	R2217
351	Ogive	R1823	R1823
353	Ogive	R1824	R1824
520	NTC sensor	R10027352	R10027352
*	Blue flow governor	R10024987	
*	Red flow governor	R10025080	
*	White flow governor	R8008	
*	Blue flow governor	R8009	

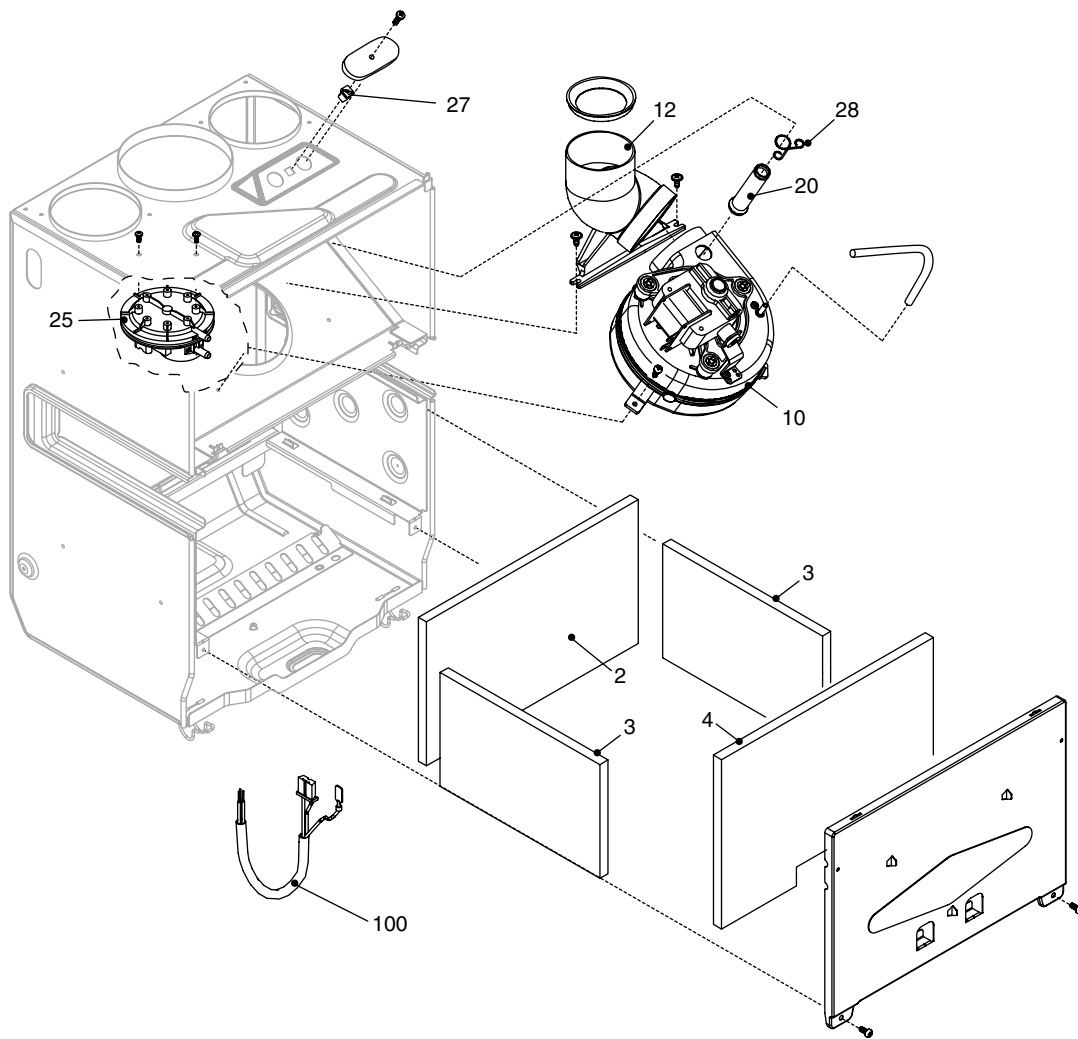


POS.	DESCRIPTION	24	28
1	Expansion vessel	R2204	R2204
2	Flexible pipe	R10023603	R10023603
3	Pump	R10027370	R10027370
4	Automatic air vent bottle	R0439	R0439
7	Flexible pipe	R10022000	R10023947
8	Heat exchanger	R10021419	R10023661
9	Flexible pipe	R10022002	R10023948
12	Washer	R2226	R2226
201	Washer	R5026	R5026
287	Limit thermostat	R2258	R2258
289	Clip	R2223	R2223
290	Clip	R2165	R2165
299	Washer	R10022726	R10022726
520	NTC sensor	R10027352	R10027352





POS.	DESCRIPTION	24	28
1	Air box	R10024669	R10023904
2	Air box Clip	R0402	R0402
3	Main burner jet support	R10025271	R10023902
4	Main burner	R10025270	R10023901
5	Spark electrode kit	R10025985	R10025985
12	Gas pipe	R10023996	R10023996
13	Gas valve	R10025074	R10025074
15	Gas cock connection	R10020897	R10020897
16	Front panel for air box	R10024779	R10023928
18	Glass	R10021558	R10021558
27	Air box hole cap	R10023805	R10023805
200	Washer	R5023	R5023
300	Lpg conversion kit	R01005297	R01005297



POS.	DESCRIPTION	24	28
2	Back insulation panel	R2230	R10023909
3	Lateral insulation panel	R2231	R2231
4	Front insulation panel	R2232	R10023910
10	Fan	R10020793	R10023907
12	Fan connection	R10021972	R10021972
20	Fumes testing connection pipe	R10021973	R10021973
25	Pressure differential switch	R01005272	R10023908
27	Screw	R10020625	R10020625
28	Clip	R10020626	R10020626
100	Wiring harness	R10023838	R10023838

<b>REV.</b>	<b>DATA</b>	<b>DESCRIZIONE</b>
1.0	14/07/05	Modifiche varie
2.0	26/03/07	Modifiche varie
3.0	11/01/08	Modifiche varie



*The code of practice for the installation,  
commissioning & servicing of central heating systems*

---

Ultimate discount reserve the right to change the specifications without prior notice.  
Consumers' statutory rights are not affected.