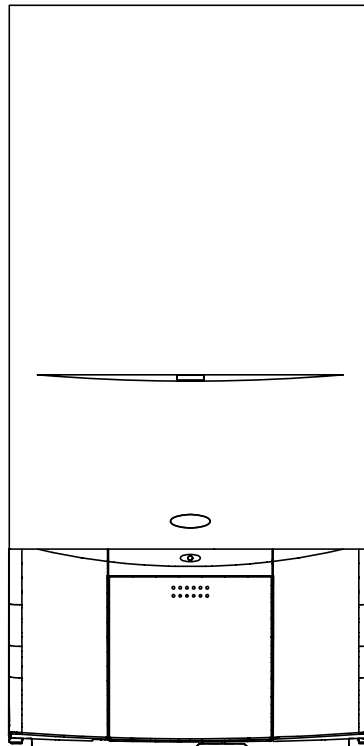
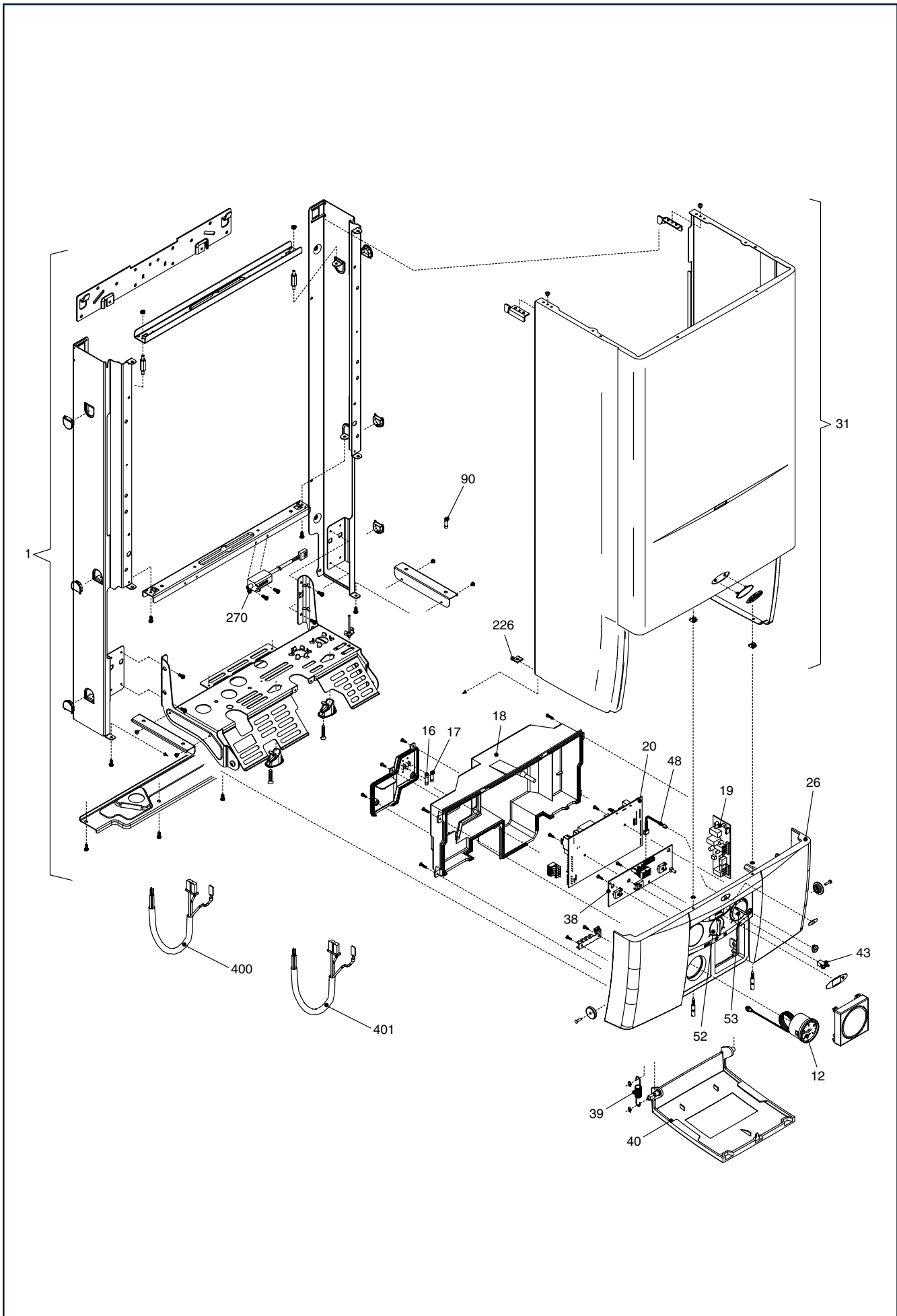


Wall hung boilers

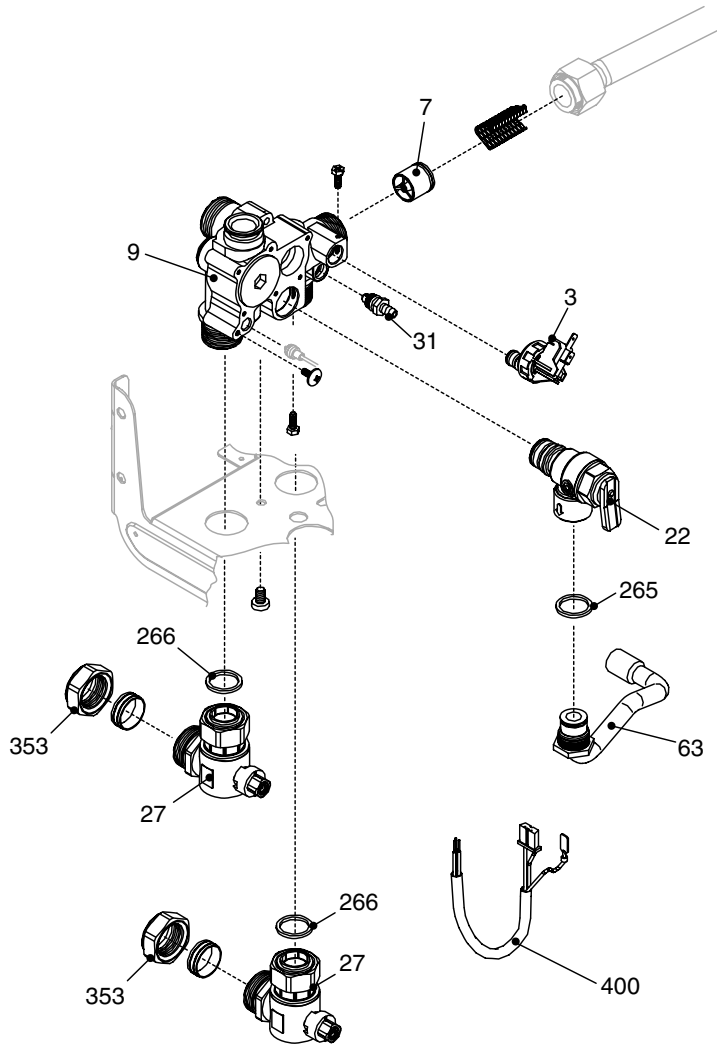
Synergy



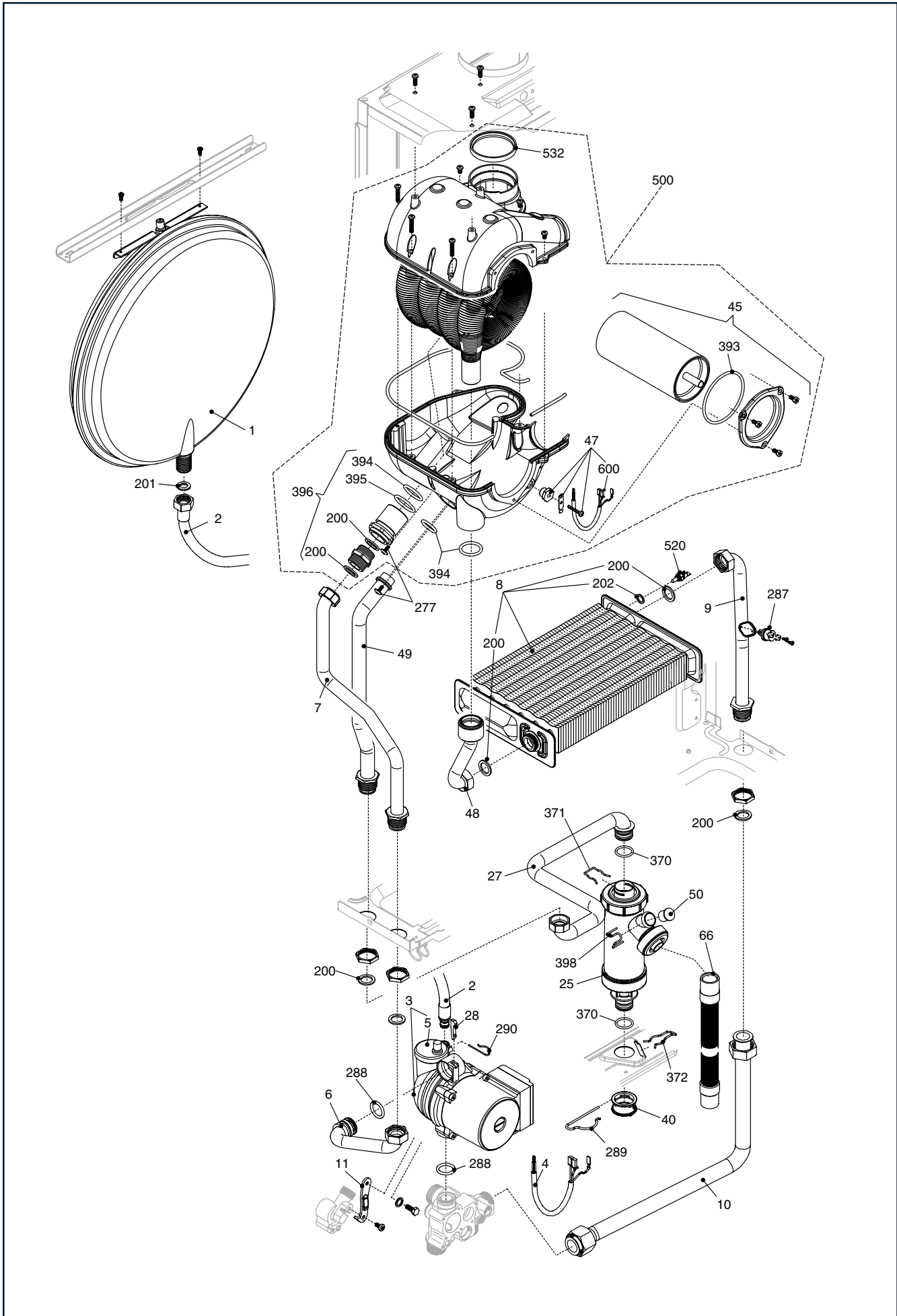
MODEL	PART NUMBER	
	NG	LPG
SYNERGY 29	2350763	2350765



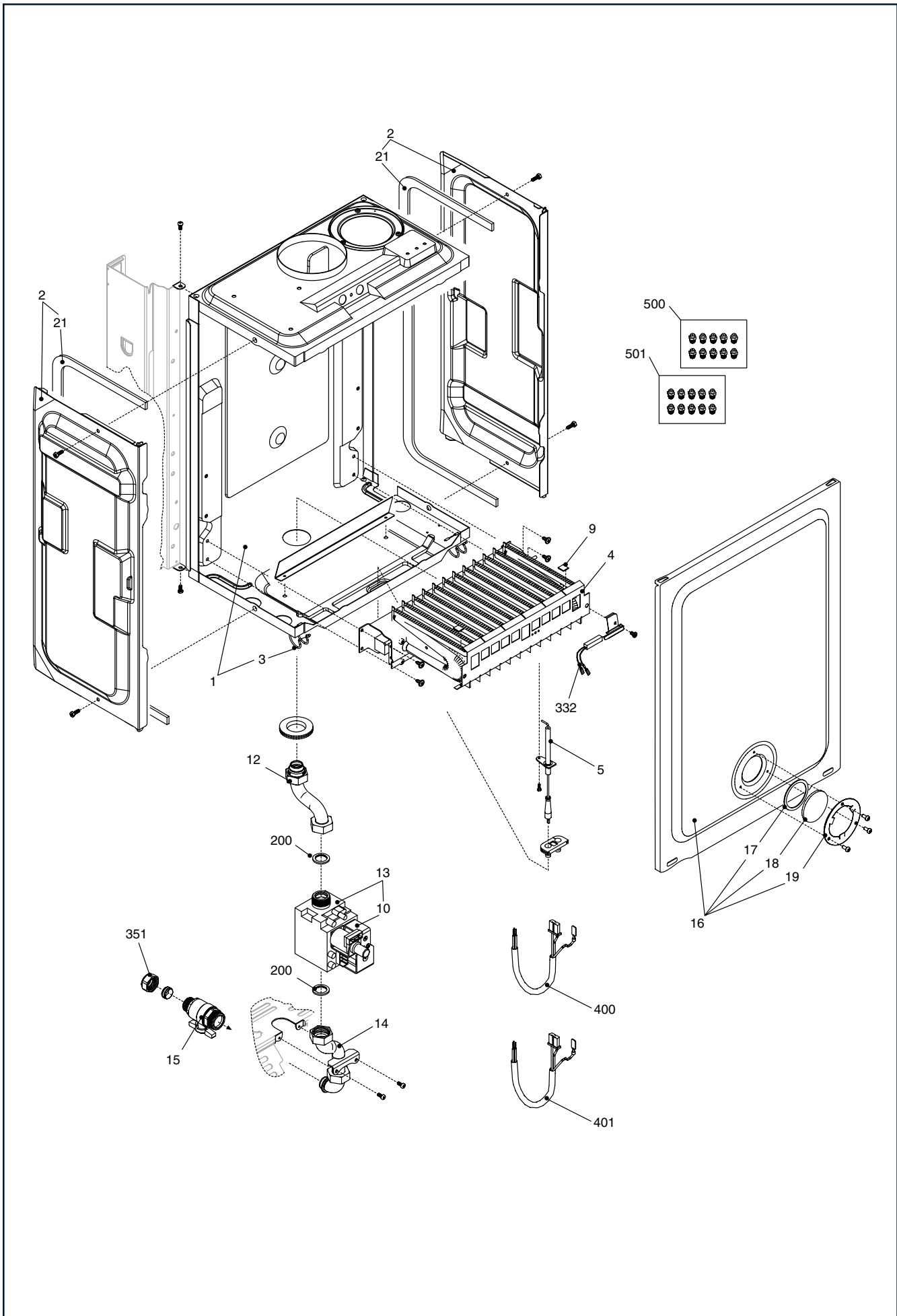
POS.	DESCRIPTION	29
1	Frame	R01005294
12	Quick primer pressure gauge	R1857
16	2A fuse	R8968
17	100 mA fuse	R1947
18	Cover	R10021849
19	Ignition module	R10028891
20	Printed Circuit Board	R10024390
26	Instrumental panel	R10023051
31	Case	R1922
38	Printed Circuit Board	R10024558
39	Spring	R1862
40	Door panel	R10024530
43	Push-push cover	R1864
48	Led Light Guide	R1858
52	Selector knob kit	R01005073
53	Control knob kit	R01005072
90	3A fuse	R3478
226	Edge clip	R5128
362	Transformer	R10022659
400	Flat cable	R10021117
401	Y-S plan cable	R10023066



POS.	DESCRIPTION	29
3	Pressure switch	R10028141
7	By-pass valve	R1552
9	Heating manifold	R10021821
22	Safety valve	R1806
27	Heating cock	R1789
31	Venting plugs kit	R01005137
63	Pipe	R10020898
265	Wacher	R5236
266	Wacher	R5237
353	Nut	R1824
400	Hydraulic control cable	R10024740



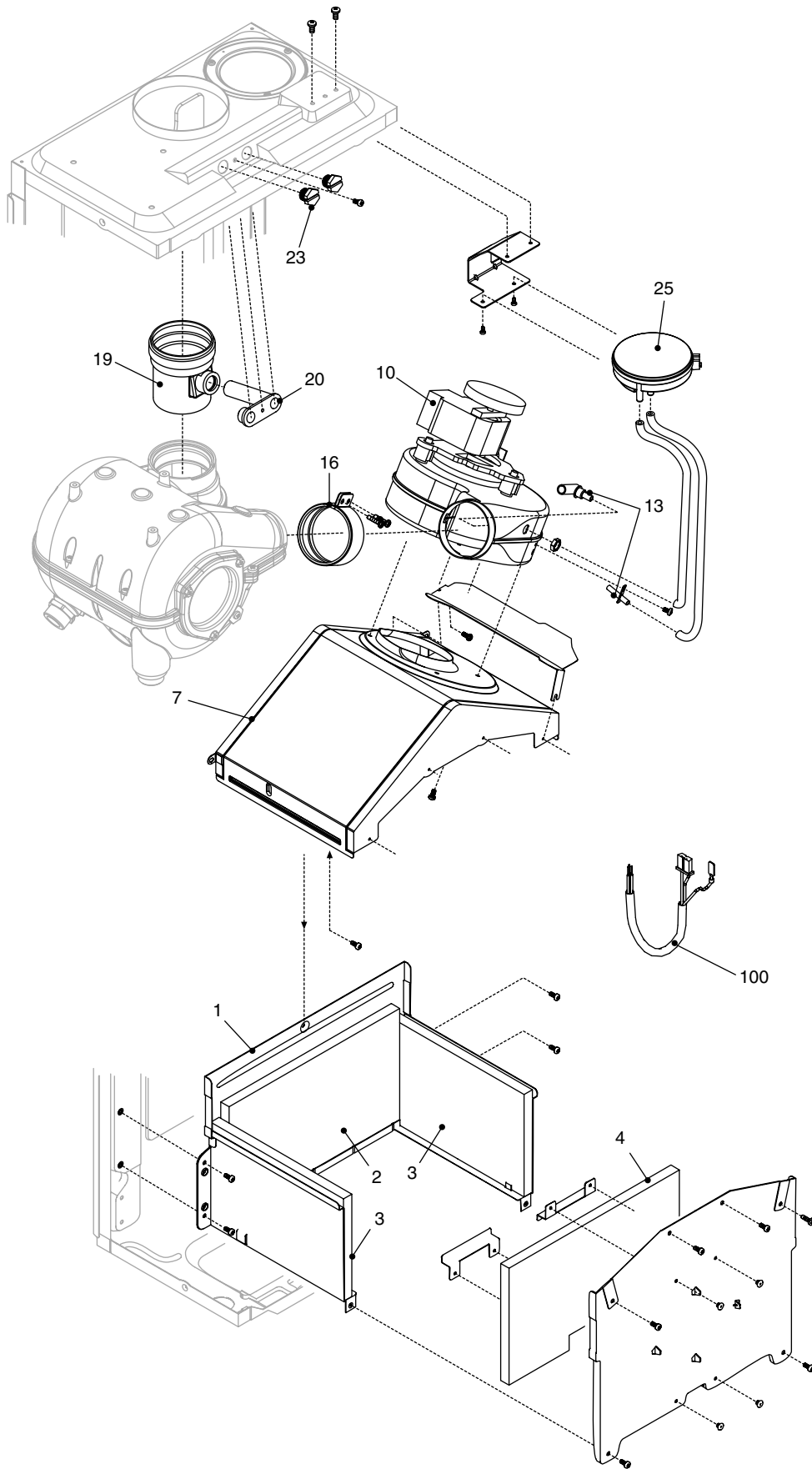
POS.	DESCRIPTION	29
1	Expansion vessel	R2573
2	Flexible pipe	R10023603
3	Circulation pump	R10020438
4	Pump cable	R1845
5	Automatic air vent bottle	R0439
6	Pipe	R10023202
7	Pipe	R10024130
8	Heat exchanger	R2378
9	Pipe	R10021041
10	Pipe	R10022859
11	Bracket	R1642
25	Siphon	R10023495
27	Pipe	R10024132
28	Pump lock key	R9263
40	Siphon plug	R10023531
45	Retarder	R10024136
47	Condensing level detector	R10025212
48	Pipe	R10024129
49	Pipe	R10024131
50	Siphon plug	R10024133
66	Siphon pipe	R10026272
200	Washer 24 x 17	R5023
201	Washer 18,5 x 11	R5026
202	Washer	R5041
277	Screw M4	R6903
287	Limit thermostat	R2258
288	O-Ring	R6898
289	Clip	R2223
290	Clip	R2165
370	O-Ring	R10023533
371	Clip	R10023532
372	Clip	R2588
393	O-Ring 4300	R10024141
394	O-Ring R20	R10024142
395	O-Ring OR R22	R10024143
396	Connection	R01005292
398	Clip	R10024336
500	Condensing unit assembly	R01005291
520	Sensor	R10027352
532	Washer Ø 60	R10027540
600	Condensing level detector cable	R10024121



BURNER

Drawing 4

POS.	DESCRIPTION	29
1	Air box bottom	R10024385
2	Ambidx air box side	R10024166
3	Air box clip	R0442
4	NG Burner	R10022980
5	Spark electrode	R10025891
9	NG plate	R5172
10	Gas valve solenoid	R10020838
12	Gas pipe	R1839
13	Gas valve	R10025074
14	Gas pipe	R1840
15	Gas cock	R1787
16	Air box cover	R10020217
17	Wascher	R5072
18	Glass	R3139
19	Glass flange	R4007
21	Washer	R5905
200	Washer	R5023
332	Thermostat	R2600
351	Nut	R1823
400	Gas valve cable	R10021947
401	Gas valve coil cable	R10022112
500	N.G conversion kit	R01005225
501	L.P.G conversion kit	R01005303



COMBUSTION COMPONENTS

Drawing 5

POS.	DESCRIPTION	29
1	Combustion chamber assembly	R6028
2	Combustion chamber back panel	R5316
3	Combustion chamber lateral panel	R5271
4	Combustion chamber front panel	R5315
7	Hood assembly	R10024125
10	Fan	R10024035
13	Venturi and pressure tube kit	R01005293
16	Clamp for tube	R10024126
19	Fan flue connection	R10024137
20	Block with combustion analysis check	R10026933
23	Brass cap	R8086
25	Pressure differential switch	R2677
100	Combustion-fan cable	R10024120

REV.	DATA	DESCRIZIONE
1.0	11/07/03	Modifiche varie
2.0	22/03/05	Modifiche varie
3.0	06/03/06	Modifiche varie
4.0	07/03/07	Modifiche varie



Vokera reserve the right to change the specifications without prior notice.
Consumers' statutory rights are not affected.