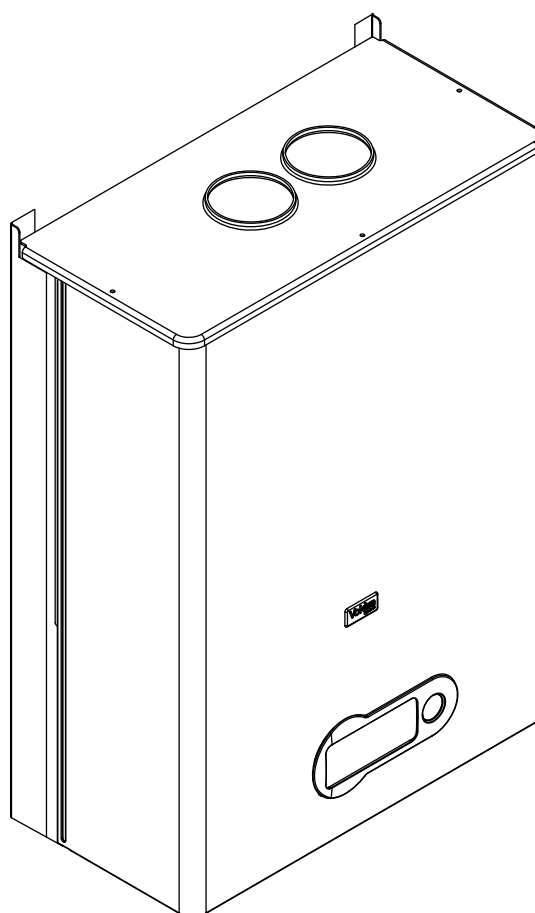
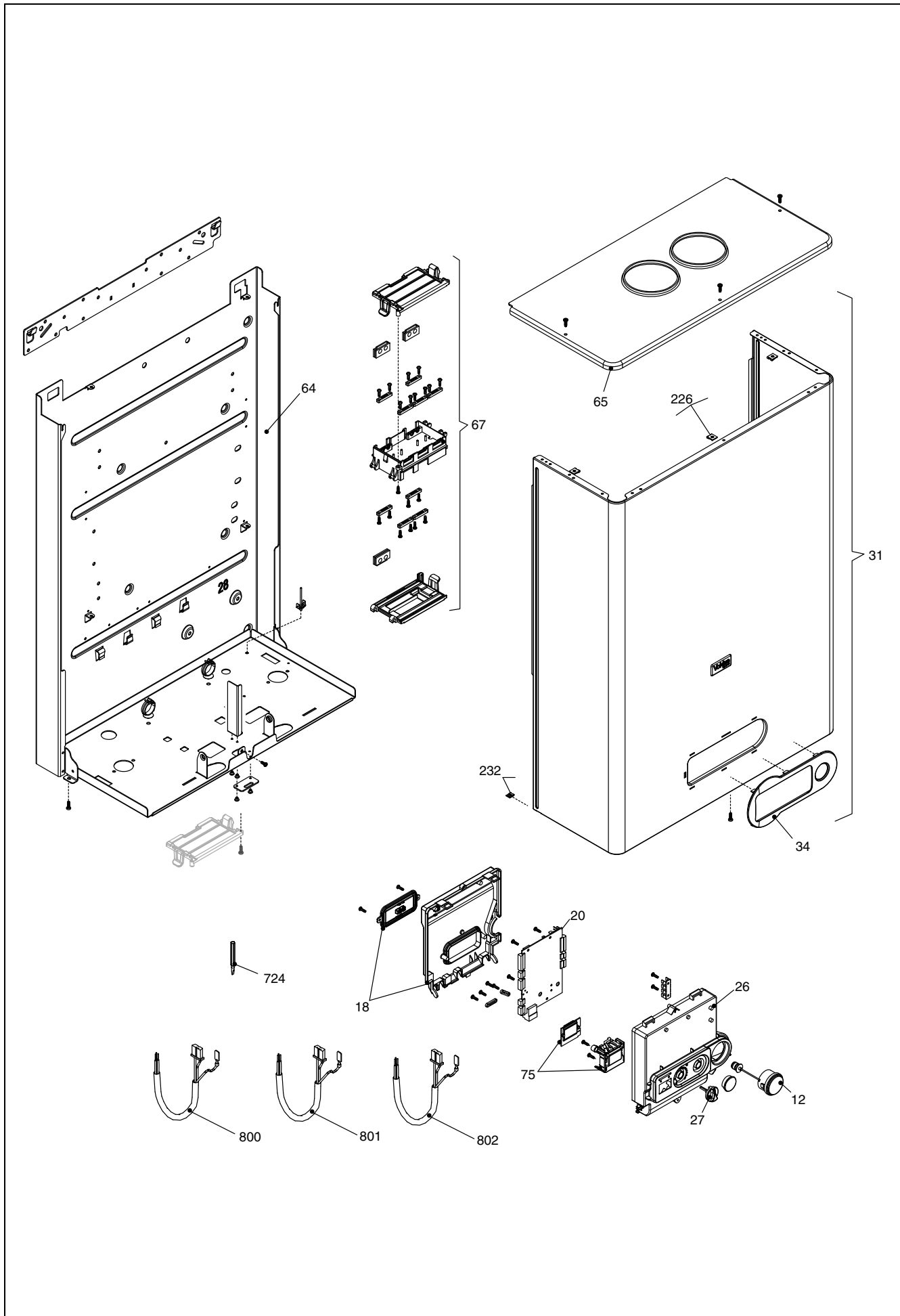


**Wall hung boilers**

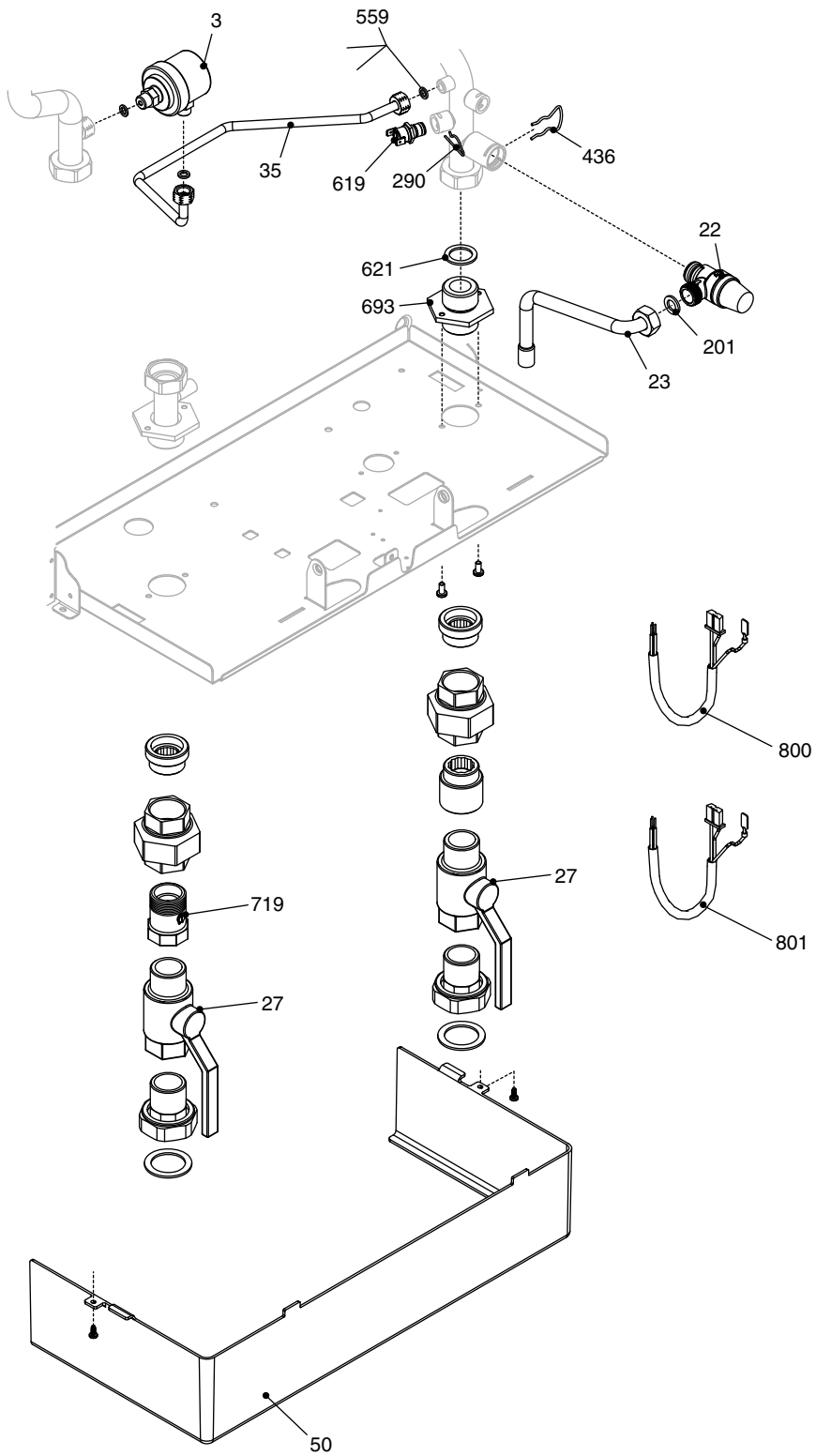
**Verve**



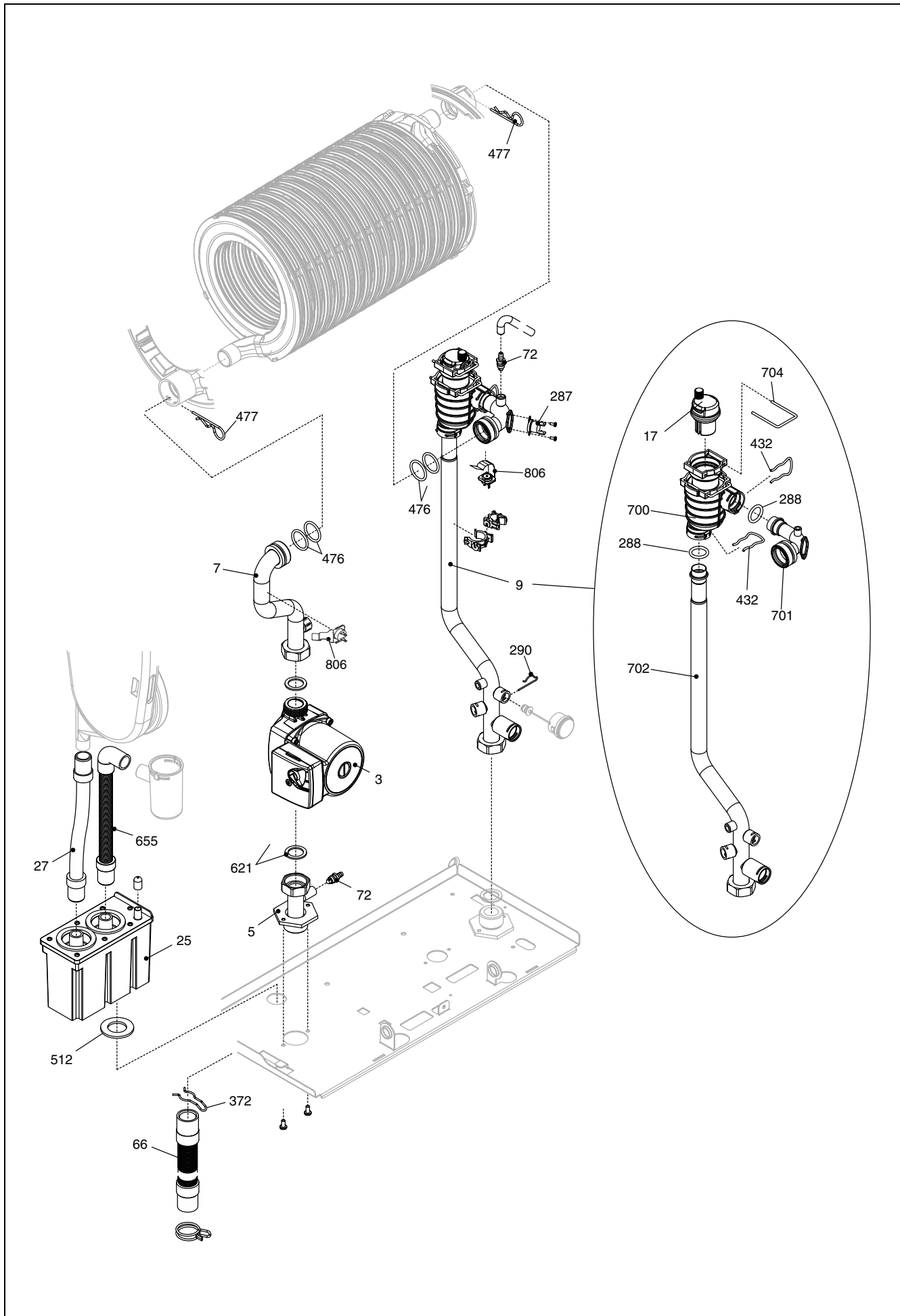
MODEL	PART NUMBER	
	MTN	GPL
Verve	20039783	-



POS.	DESCRIPTION	50
12	Quick primer pressure gauge	20005580
18	Control panel cover	20026055
20	Printed circuit board	20025735
26	Instrumental panel	20040985
27	Control knob	20014025
31	Case Assembly	20041000
34	Fixing flange	20026728
64	Frame assembly	20040999
65	Cover	20028769
67	Wiring box	R01005468
75	Printed circuit board kit	20011443
90	Fuse	R3478
226	Clip	R5128
232	Clip	R5151
724	Screwdriver	R2455
800	Wiring harness	20011449
801	Wiring harness	20040989
802	Power wiring harness	20040980



POS.	DESCRIPTION	50
3	Pressure	20028740
22	Safety valve	20028731
23	Pipe	20040986
27	Cock	20040979
35	Pipe	20028736
50	Cover	20028748
201	Washer	R5026
290	Clip	R2165
436	Clip	R10025062
559	Washer	R5052
619	Pressure	20003181
621	Washer	R5038
693	Nipple	20028904
719	Non return valve	R104268
800	Wiring harness	20040981
801	Wiring harness	20040984

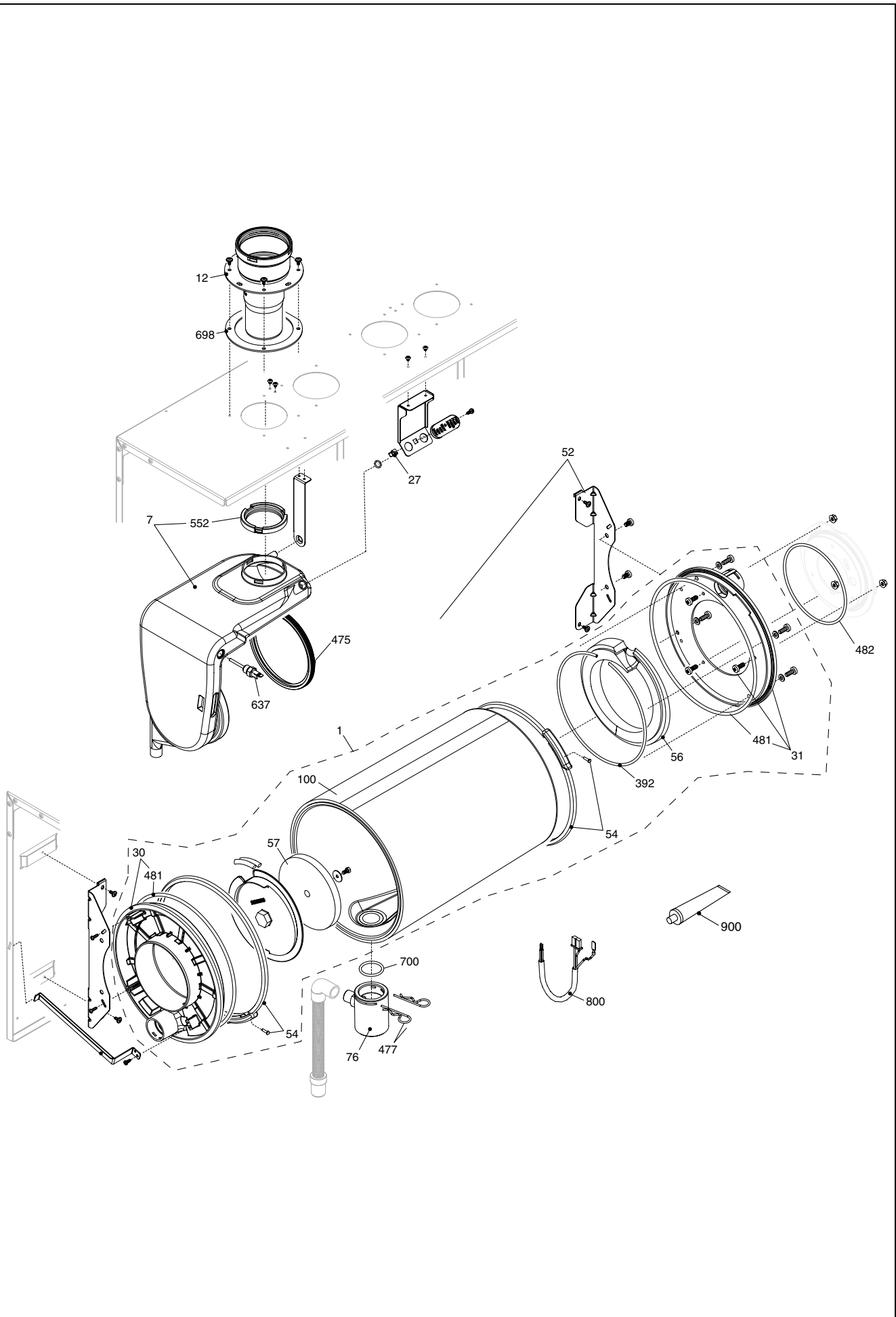


POS.	DESCRIPTION	50
3	Pump	20040990
5	Pipe	20028732
7	Pipe	20067815
9	Pipe	20067826
17	Air vent valve	20019768
25	Condensate reservoir	R10028405
27	Flexible pipe	20028760
66	Flexible pipe	R10026272
72	Vent plug	R10023235
287	High limit	R2258
288	Ring	R6898
290	Clip	R2165
372	Clip	R2588
432	Clip	R10024958
476	O ring	R10026324
477	Split pin	R10026269
512	Washer	R10027193
621	Washer	R5038
655	Condensing pipe	20010331
700	Degasser kit	20032553
701	Pipe	20067816
702	Pipe	20028734
704	Clip	20019767
806	Detector	20067813





POS.	DESCRIPTION	50
3	Fan	R10028456
4	Burner assembly	20028763
5	Spark / ignition electrode	20074728
6	Condense electrode	R10026316
12	Pipe	20028738
13	Gas valve	20039202
14	Pipe	20028749
15	3/4" gas cock	R7330
16	Gas valve solenoid	20040675
19	Burner observation port kit	R10026328
31	Stub pipe	20028745
35	Air/gas manifold	R10028420
36	Conveyor	20028739
46	Diaphragm	20028762
58	Pipe	20025757
67	Washer Ø 62	R10026322
68	Flange and insulation	20046837
69	Protection	20046839
72	Mixer	20028741
79	Flame sensor	R10028422
88	Blower heat shield	20006411
92	Suction pipe	20028759
200	Washer	R5023
486	O ring	R10026325
497	Washer	R10026796
613	Ignition transformer	20001563
696	O ring	20028744
697	Washer	20028737
698	Washer	20028746
700	Spark electrode cable	R10026558
701	Wiring harness	20040987
702	Flame wiring harness	20040982
703	Wiring harness	20040983
800	NG conversion kit	20032150
801	LPG conversion kit	20032155



POS.	DESCRIPTION	50
1	Condensing exchanger assembly	20073763
7	Conveyor	20007053
12	Stub pipe	20028747
27	Nut screw	R10020625
30	Flange	20047573
31	Burner flange	20047807
52	Bracket-kit	20051029
54	Ring closing	20047811
56	Insulation panel	20047812
57	Tryton retarder	20036537
76	Tank condensation collecting	20033722
100	Container exchanger	20048272
392	Washer	20047819
475	Outlet heat exch.seal gasket	R10026323
477	Split pin	R10026269
481	Washer	20047802
482	Inlet heat exch.seal gasket	R10026366
552	Washer Ø 60	R10028426
637	Flue sensor	20007050
698	Washer	20028746
700	Washer	20028742
800	Wiring harness	20040988
900	Tube sealant	20047820

<b>Rev.</b>	<b>data</b>	<b>Descrizione</b>
1.0	20/12/2011	E00120110744 : Flangia e isolante bruciatore Aggiunte trasformazioni
2.0	04/03/2013	gestione componenti scambiatore condensante E00120130116 : Rampa con degasatore
3.0	03/07/2013	E00120130476 : elettrodo , sonda – E00120130353 : Targhetta marchio E00120130443 : scambiatore condensante



---

Vokera reserve the right to change the specifications without prior notice.  
Consumers' statutory rights are not affected.