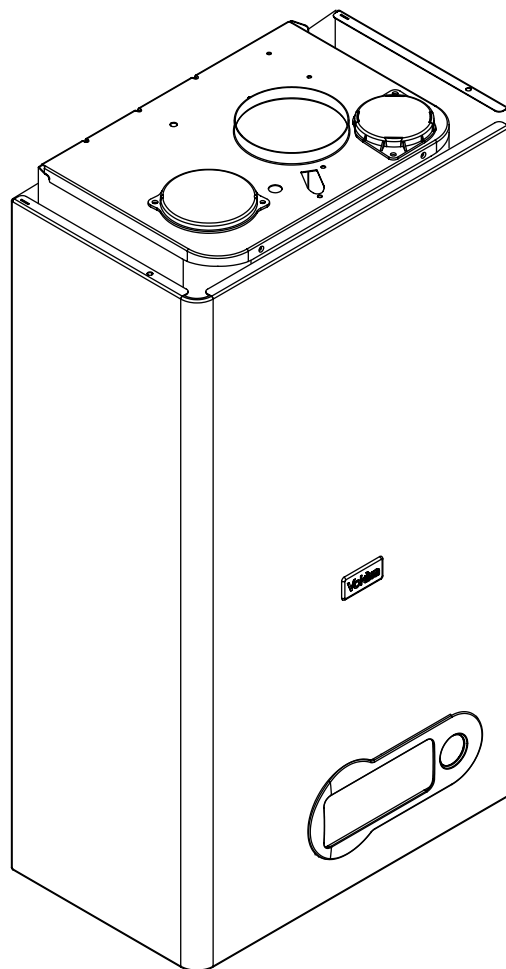
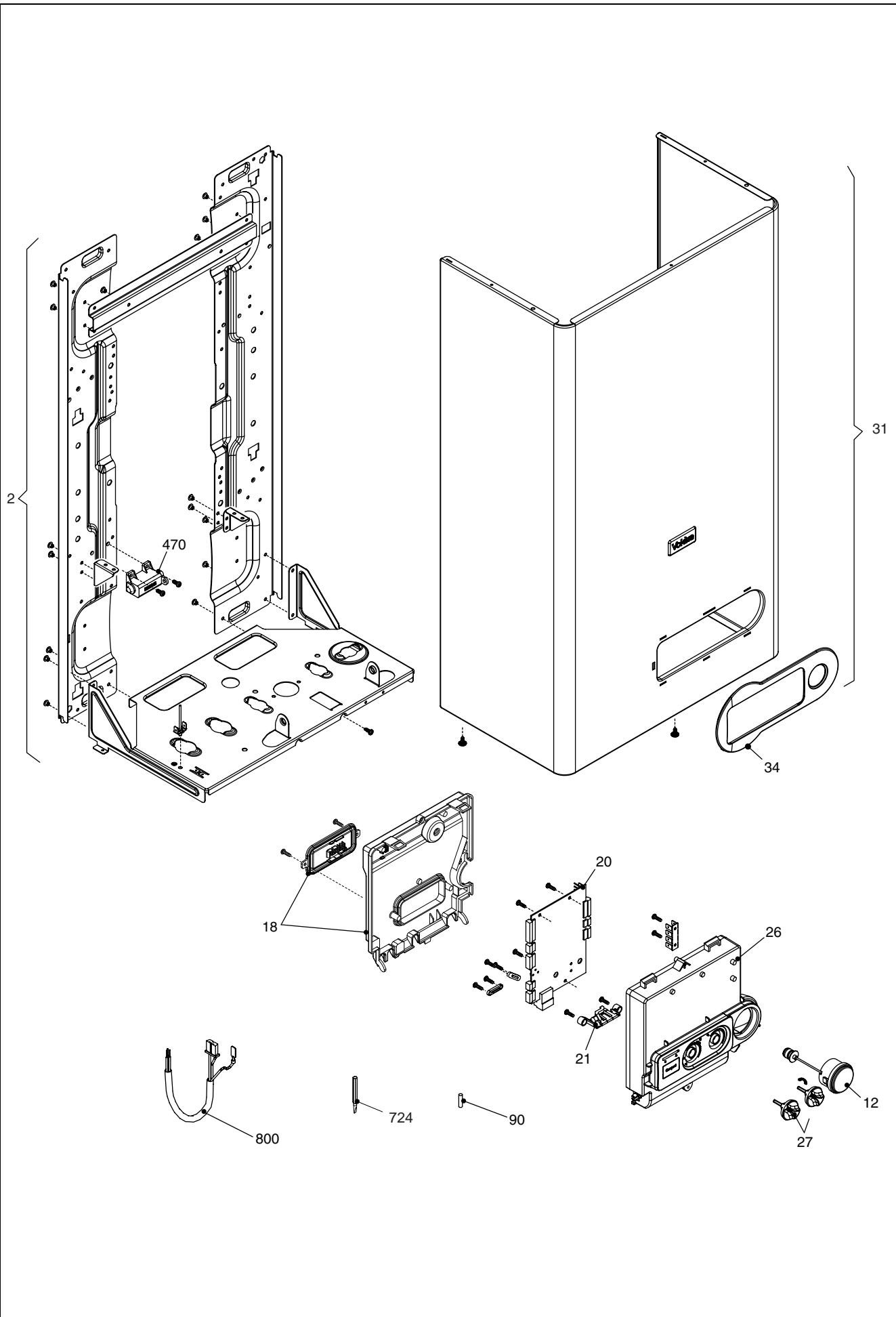


Wall hung boilers

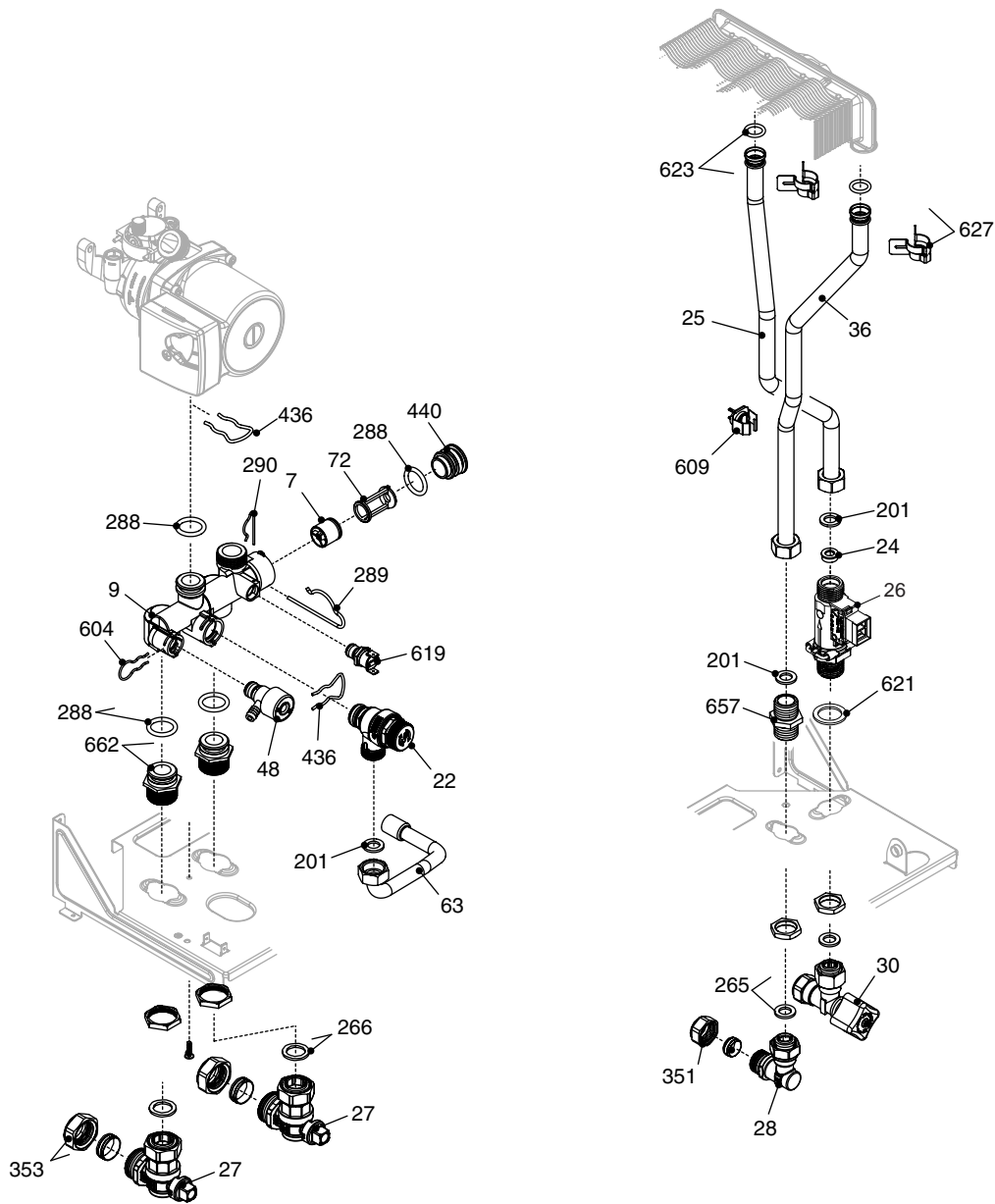
Compact 24 SE



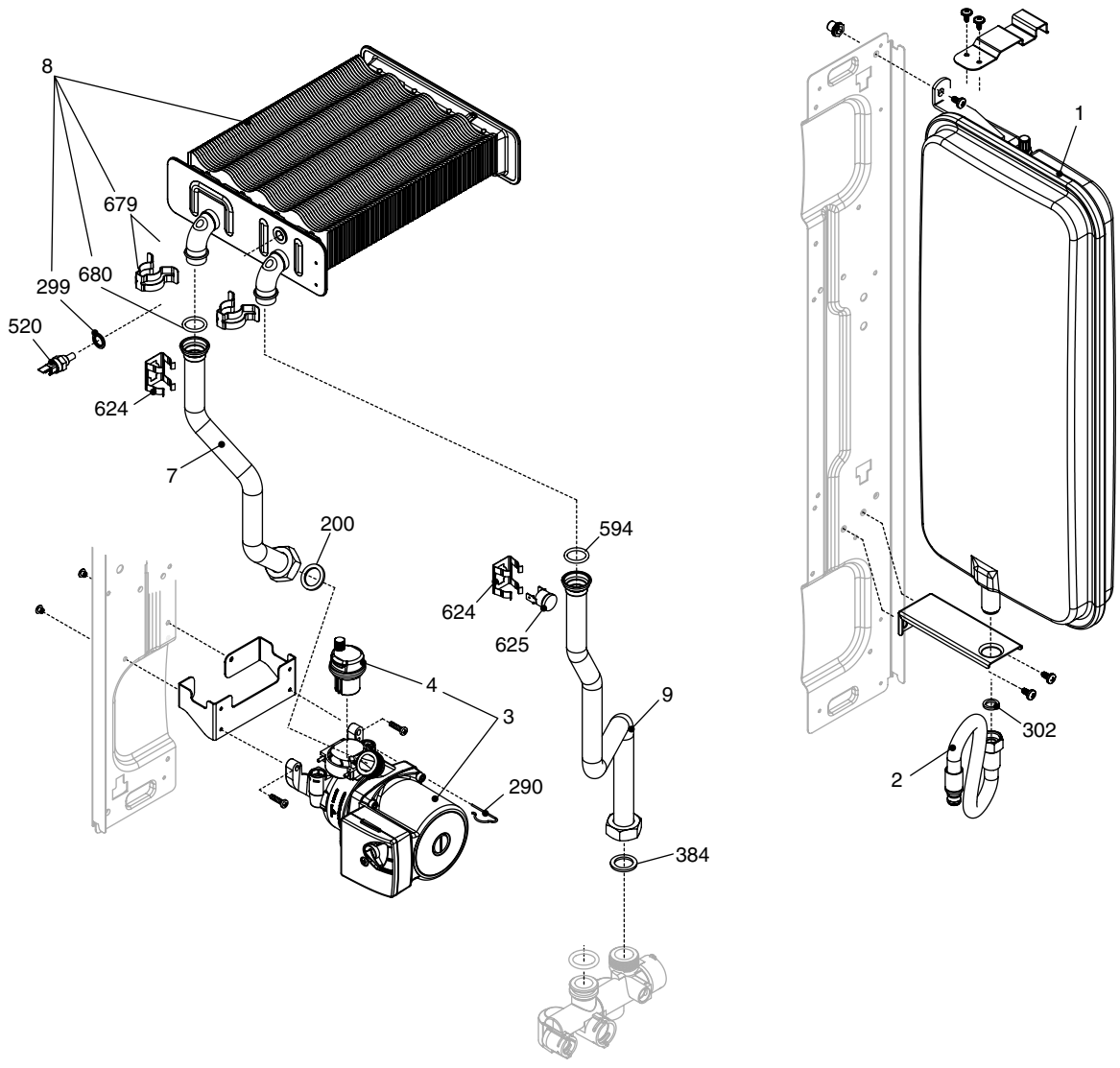
MODEL	PART NUMBER	
	MTN	GPL
Compact 24 SE	20022436	-



POS.	DESCRIPTION	24se
2	Frame	20049274
12	Quick primer pressure gauge	20005580
18	Control panel cover	20026055
20	Printed circuit board MP08	20005569
21	led light guide	20013352
26	Control panel	20035608
27	Control knob	20014025
31	Case Assembly	20048322
34	Fixing flange	20026728
90	Fuse	R3478
470	Ignition transformer TR6	R10026031
724	Calibration screwdriver	R2455
800	Low tension cable	20005571
800	Cable	R1547
800	Power wiring harness	20035405

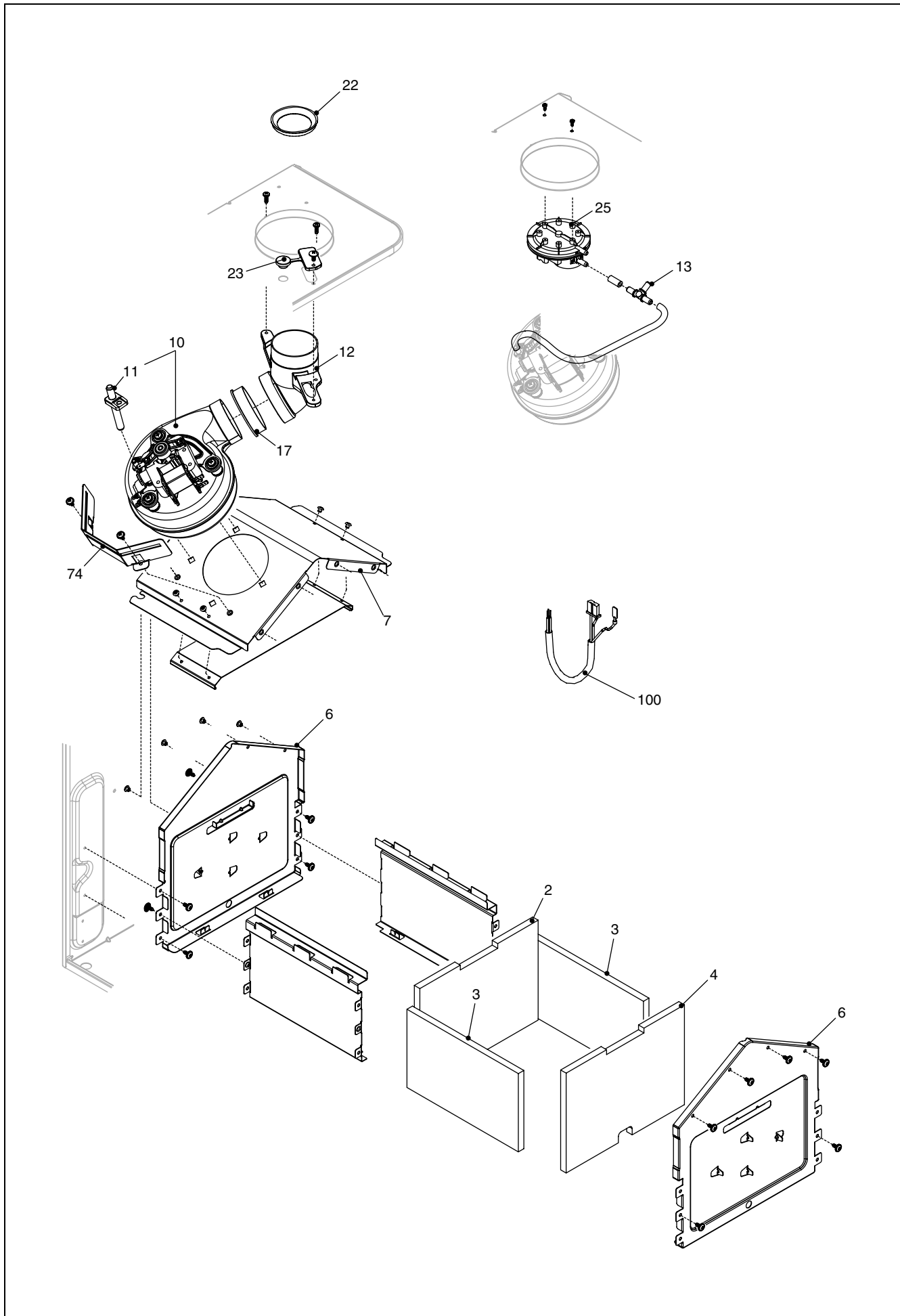


POS.	DESCRIPTION	24se
7	By-pass valve	20007783
9	Heating distrib.	20005568
22	Safety valve	20043820
24	Flow governor	R10024987
25	Pipe	20005556
26	Dhw actuator	20073700
27	Heating cock	R1789
28	Connection	R1790
30	Water supply stop cock	R7099
36	Pipe	20005557
48	Cock	20000533
63	Pipe	20035609
72	by-pass valve support	20068965
201	Washer	R5026
265	Washer	R5236
266	Washer	R5237
288	Ring	R6898
289	Clip	R2223
290	Clip	R2165
351	Nut	R1823
353	Nut	R1824
436	Clip	R10025062
440	Automatic by-pass plug	R10024645
604	Clip	20000539
609	NTC-sensor	20075973
619	Pressure	20003181
621	Washer	R5038
623	O ring	20005566
627	Spring pipe	20052730
657	Connection	20011043
662	Connection	20014074



POS.	DESCRIPTION	24se
1	Expansion vessel	20029826
2	Pipe	R10028603
3	Pump 4 mt.	20005582
4	Air vent bottle	R10025485
7	Pipe	20005559
8	Heat exchanger	20005544
9	Pipe	20005558
200	Washer	R5023
290	Clip	R2165
299	Washer	R10022726
302	Washer	R5025
520	NTC sensor	R10027352
624	Clip	R5472
625	High limit thermostat	20005585
679	Clip	20024086
680	Washer	20024869

POS.	DESCRIPTION	24se
3	Collector	20005584
4	Burner	20005551
5	Spark / ignition electrode	R10025985
12	Gas pipe	20005554
13	Gas valve	20035533
14	Gas pipe	20005553
15	3/4" gas cock	R10020897
16	Combustion chamber cover	20005594
17	Gas valve solenoid	20040675
18	Plug	20005550
27	Hole cover	20005586
31	Hole cover	20049606
200	Washer	R5023
201	Washer	R5026
629	Kit cable grommet	20005595
640	Clip	20011042
700	Ng conversion kit	R01005225
701	LPG conversion kit	R01005500



POS.	DESCRIPTION	24se
2	Back insulatin panel	20005561
3	Insulation panel	20005562
4	Front insulation panel	20005560
6	Combustion chamber cover	20017585
7	Flue draught diverter	20005596
10	Fan kit	20026724
11	Pressure connection	20021548
12	Fumes connection	20011048
13	Segnal amplifier	20025687
17	Washer	20005552
22	Flange Ø 42	R10027845
22	Flange Ø 44	R10021730
23	Cap smoke analysis	20005549
25	Pressure switch	R10023908
74	Fan support kit	20021597
100	Combustion cable	20021032

Rev.	data	Descrizione
1.0	01/04/2011	Aggiunte trasformazioni – correzione codice circolatore E00120110138 : cablaggio alimentazione
2.0	13/09/2011	E00120110373 : mensola telaio - E00120110498 : rivetto messa a terra E00120110317 : nuova bobina valvola gas
3.0	29/03/2012	E00120120083 : valvola sicurezza 3 bar – E00120100017 : revisione estetica
4.0	11/10/2012	E00120120332 : scambiatore monoterminico E00120120434 : miglioramento strutturale
5.0	25/02/2013	E00120130138 : manopola comandi
6.0	24/07/2013	aggiunto fermo valvola by-pass – corretta cornice mantello E00120130578 : anello or – Aggiunto coperchio camera combustione E00120130618 : flussostato , sonda
7.0	21/02/2014	E00120131003 : flussostato
8.0	23/07/2014	E00120140337 : copertura posteriore parti elettriche



Vokera reserve the right to change the specifications without prior notice.
Consumers' statutory rights are not affected.