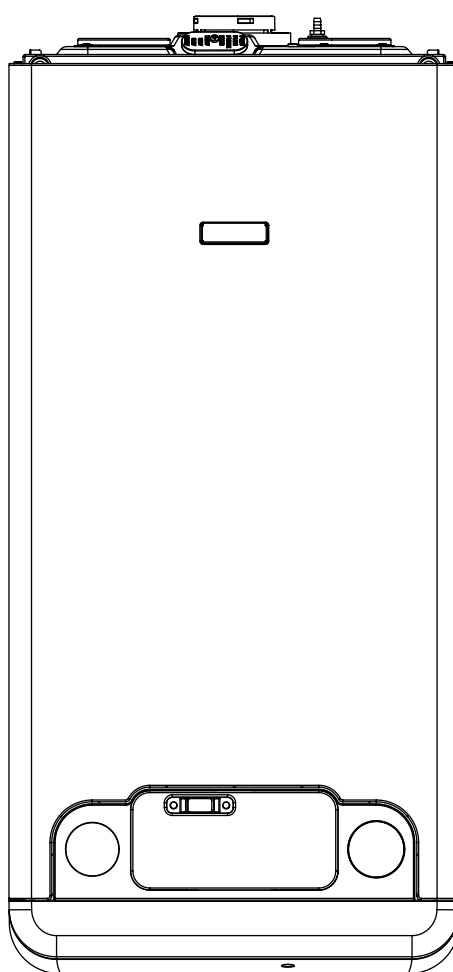
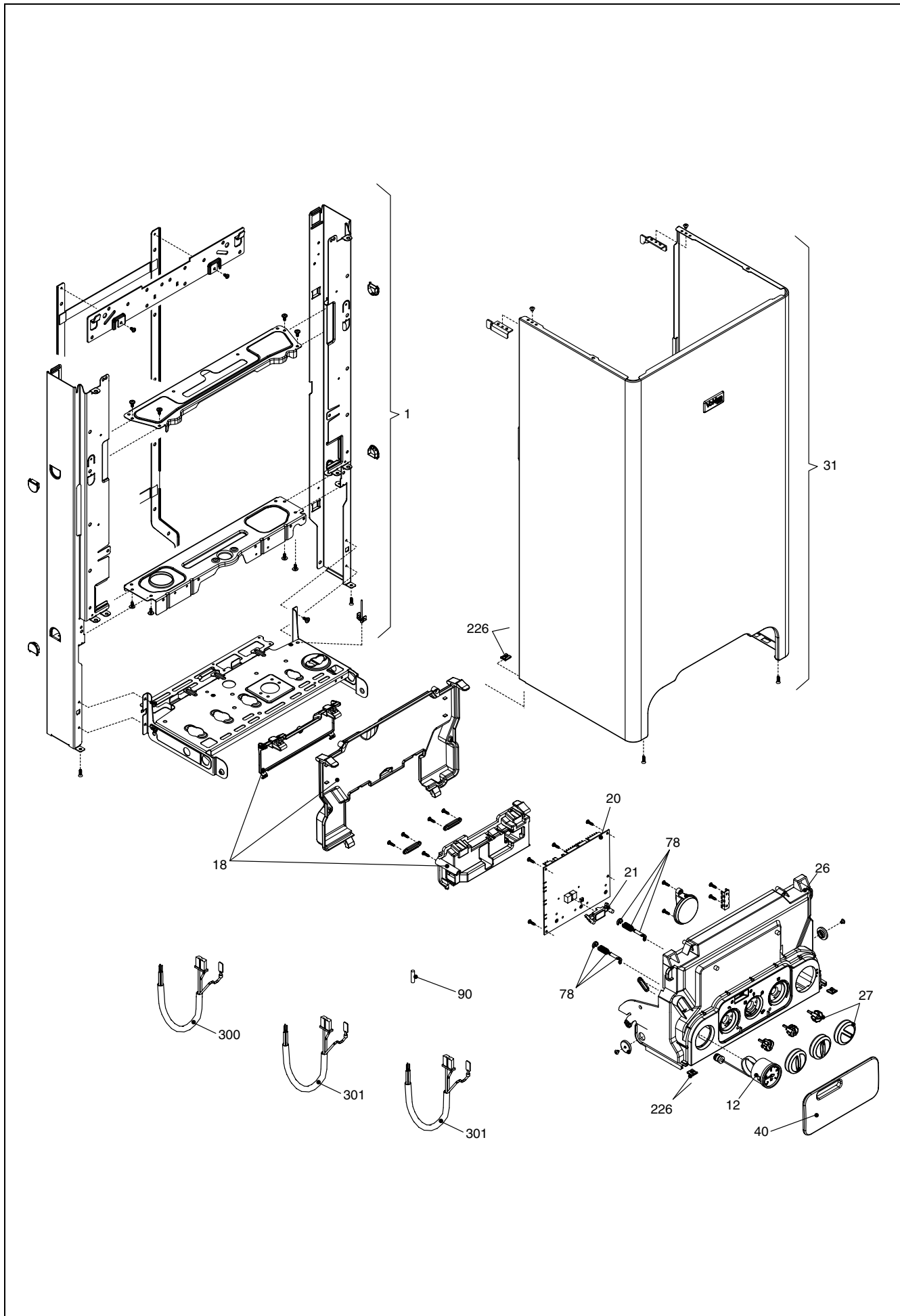


Wall hung boilers

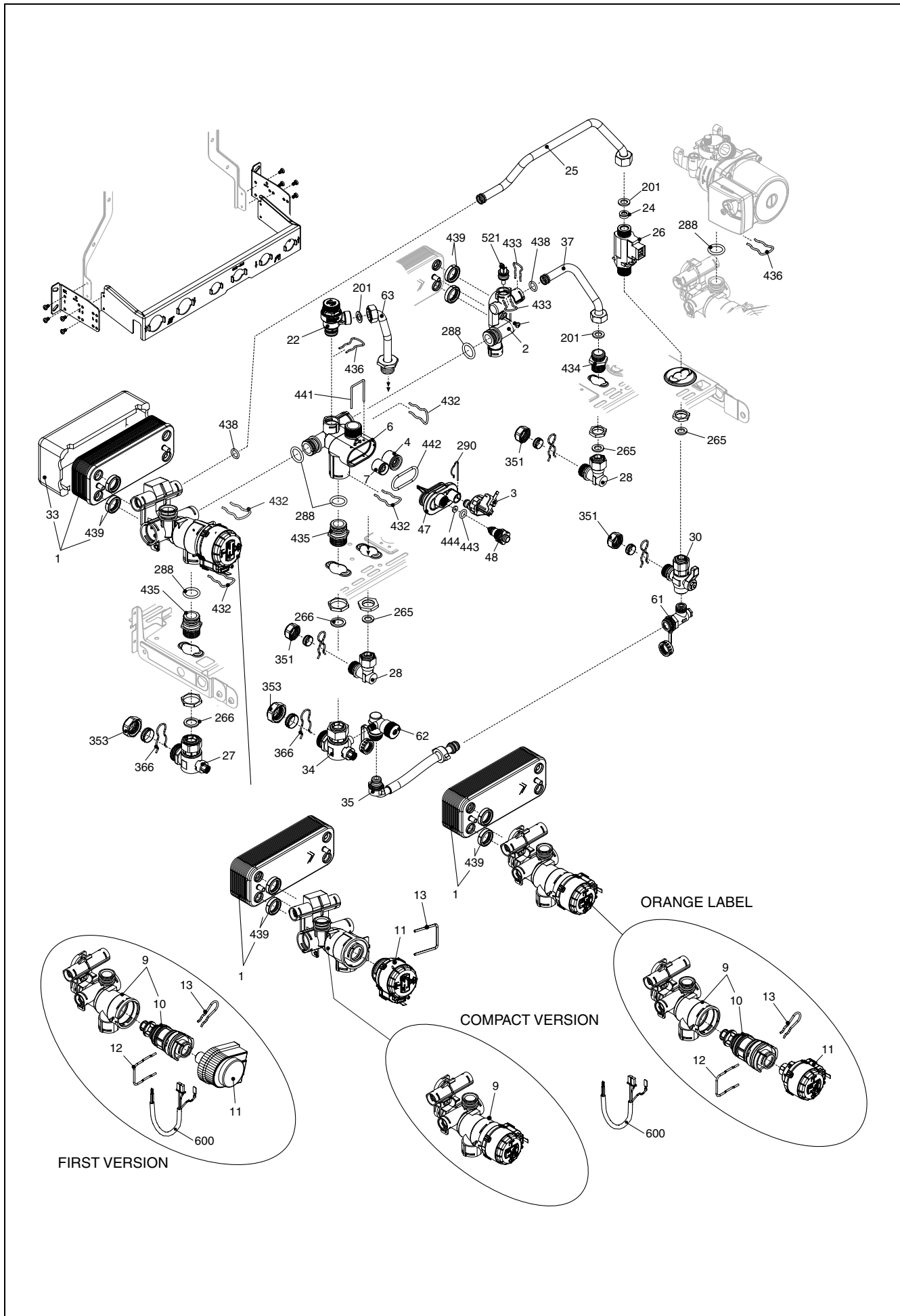
Unica 28 HE



MODEL	PART NUMBER	
	MTN	GPL
Unica 28 HE	2351043 (910)	2351045 (911)

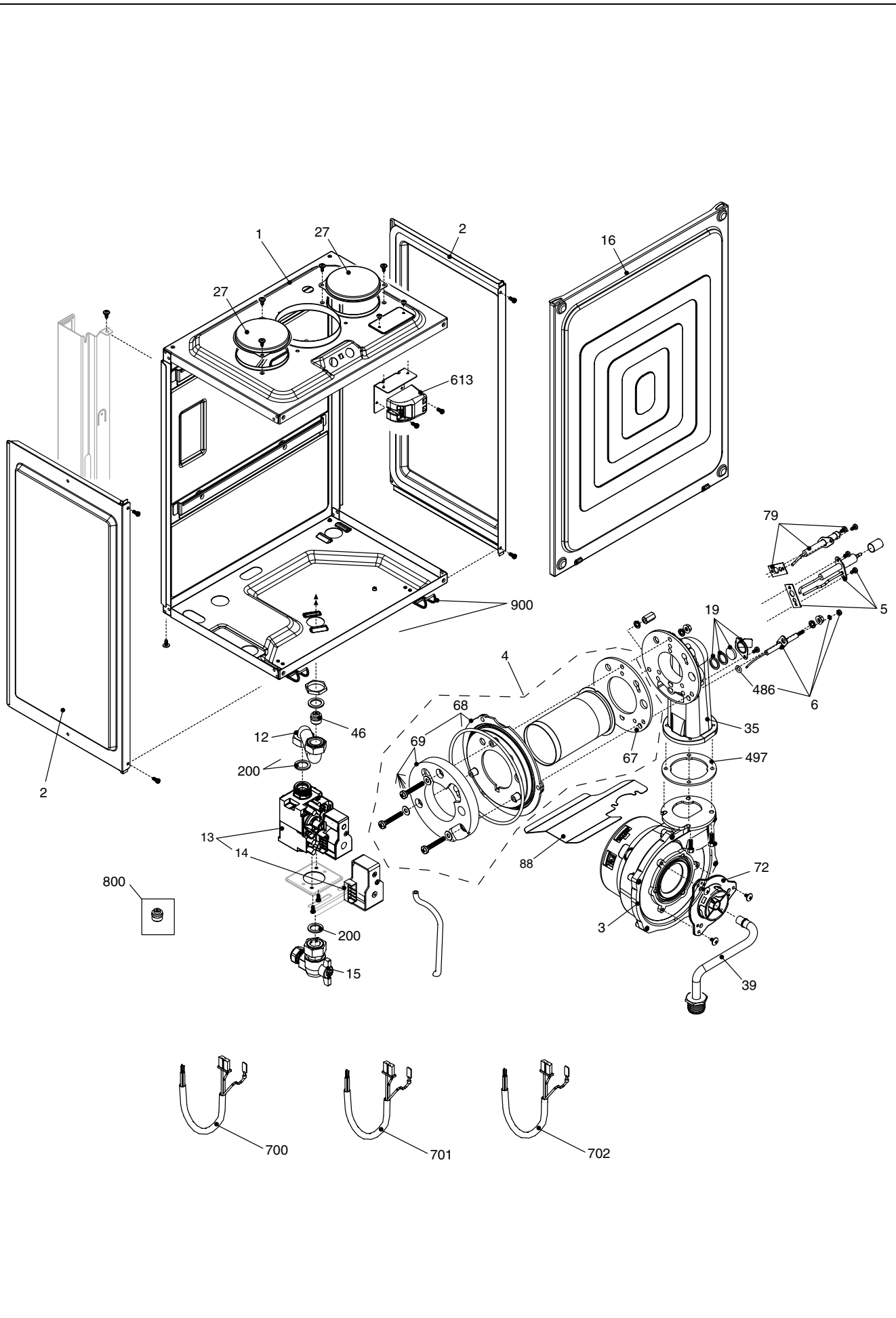


POS.	DESCRIPTION	28
1	Frame	R01005403
12	Pressure gauge	R2564
18	Cover assembly	R10028554
20	Printed circuit board	20008307
21	Led light guide	R10028557
26	Front panel	R10028632
27	Knob assembly	R10028559
31	Case Assembly	20019253
40	Door panel	R10030136
78	Cover assembly	R01005442
90	Tdc 180 bs 1362 3a fuse	R3478
226	Clip	R5128
300	Wiring harness	R10028593
301	Wiring harness	R10028596
302	Wiring harness	R10028634



POS.	DESCRIPTION	28
1	Exchanger	R8037
2	Connection	R10030114
3	Water pressure switch	R10028141
4	Non return valve	R10025056
6	By-pass casing	R10024641
7	By-pass valve	R2047
9	3-way heating manifold and cartridge (first version)	R10026508
9	Distribution Header (compact version)	20034037
9	3-way heating manifold and cartridge (orange label)	R10026508
10	3 way valve cartridge (first version)	R10025305
10	Distribution Header (compact version)	20034037
10	3 way valve cartridge (orange label)	R10025305
11	Actuator (first version)	R10025304
11	Actuator (compact version)	20017594
11	Actuator (orange label)	20024841
12	Clip	R10025450
13	Clip (first version)	R10025449
13	Clip (compact version)	20017598
13	Clip (orange label)	R10025449
22	Safety valve	20043820
24	Flow governor	R10024987
24	Flow governor	R10026044
24	Flow governor	R10026045
25	Pipe	R10025839
26	Dhw actuator	R10022349
27	Heating cock	R1789
28	Connection	R1790
30	Cock	R10023567
33	Insulator	20007057
34	Cock	R10023566
35	Flexible pipe	R10023570
37	Pipe	R10025840
47	Cover for by-pass assembly	R10024643
48	Cock	R10024646
61	Non return valve	R10023569
62	Cock	R10023568
63	Pipe	R10026228
201	Washer	R5026
265	Washer	R5236
266	Washer	R5237
288	Ring	R6898
290	Clip	R2165
351	Nut	R1823
353	Nut	R1824
366	Clip	R1820
432	Clip	R10024958
433	Clip	R10024986
434	Nipple	R10024985
435	Fitting/union	R10025059
436	Clip	R10025062
438	O ring	R10024988
439	Washer	R10025067
441	Clip	R10025063
442	O ring	R10025065
443	O ring	R10025064
444	Washer	R10025066
521	NTC sensor	R10027351
600	Wiring harness (first version)	R10028633
600	Wiring harness	20022564

POS.	DESCRIPTION	28
1	Expansion vessel	R2204
2	Pipe	R10025188
3	Pump	R10027571
4	Air vent bottle	R10025485
6	Pipe	R10028428
7	Pipe	R10026267
9	Pipe	20020182
10	Pipe	R10028631
17	Air venting plug (first version)	R10029306
17	Air venting plug	20019768
25	Siphon	R10028405
26	Condensing pipe	R10028540
27	Flexible pipe	R10027192
66	Condensing pipe	R10028539
71	Pipe (first version)	R10028430
71	Pipe	20020181
72	Drain tap	R01005137
73	Cock	R10028431
200	Washer	R5023
201	Washer	R5026
247	Washer	R5203
287	High limit thermostat	R2258
288	O ring	R6898
290	Clip	R2165
372	Clip	R2588
432	Clip	R10024958
476	O ring	R10026324
477	Split pin	R10026269
512	Washer	R10027193
633	Ntc sensor	20003819
700	Air venting plug kit	20019888
701	Pipe	20019764
702	Pipe	20020180
704	Clip	20019767



POS.	DESCRIPTION	28
1	Roomsealed chamber	R10028341
2	Side	R10026231
3	Fan	R10028456
4	Burner	R10028537
5	Spark / ignition electrode	R10027864
6	Condense electrode	R10026316
12	Gas pipe	R10028620
13	Gas valve	20039202
14	Gas valve solenoid	20040675
15	3/4" gas cock	R10020897
16	Cover for air box	R10028345
19	Glass stopper assembly	R10026328
27	Plug	20005586
35	Air gas conveyor	R10028420
39	Gas pipe	R10030381
46	Gas diaphragm	R10027161
46	Gas diaphragm	R2112
67	Washer	R10026322
68	Flange and insulation	20046835
69	Tryton	20046836
72	Mixer	20015932
79	Flame detection electrode	R10028422
88	Fan protection	20006411
200	Washer	R5023
486	O ring	R10026325
497	Washer	R10026796
613	Trasformer	20002969
700	Wiring harness	R10028599
701	Wiring harness (gas valve)	20001560
702	Spark electrode cable	R10026558
800	N.g. conversion kit	R01005465
800	Lpg conversion kit	R01005447
900	Clip	20061168

POS.	DESCRIPTION	28
1	Condensing exchanger assembly	R01005443
7	Conveyor	20008306
12	Flue drain connection	R10028421
27	Nut screw	R10020625
30	Flange	20047573
31	Burner flange	20047807
52	Bracket-kit	20051029
54	Ring closing	20047811
56	Insulation panel	20047812
57	Tryton retarder	20036537
100	Container exchanger	20048269
392	Washer	20047819
475	Outlet heat exch.seal gasket	R10026323
481	Washer	20047802
482	Inlet heat exch.seal gasket	R10026366
487	Washer Ø 60	R10026345
552	Washer Ø 60	R10028426
614	High limit	20001564
700	Combustion cable	R10028595
900	Tube sealant	20047820

Rev.	data	Descrizione
1.0	12/03/07	Modifiche varie
2.0	22/01/08	E00120070221 : scheda
3.0	16/04/08	E00120080089 : cablaggi, trasformatore, termostato fumi E00120070171 : cambiato disegno convogliatore scarico fumi
4.0	05/09/08	E00120080230 : sonda a contatto – E00120080317 : protezione ventilatore
5.0	12/10/09	E00120080360 : coibente – E00120090492 : nuovo brand Vokera E00120090526 : mixer
6.0	04/01/2010	E00120090590 : rampa degasatore – E00120090613 : tappo scatola aria
7.0	04/02/2010	E00120100026 : gruppo distribuzione zero brass
8.0	05/10/2010	E00120100019 : molletta pompa – Corraione posizione cablaggi idraulico
9.0	08/04/2011	Inserito tryton scambiatore condensante – inserito degasatore circolatore
10.0	31/05/2011	E00120110291 : gruppo idraulico ibrido – E00120110306 : valvola gas E00120110317 : nuova bobina valvola gas
11.0	20/12/2011	E00120110494 : valvola sicurezza 3 bar E00120110744 : Flangia e isolante bruciatore
12	03/07/2012	Gestione componenti scambiatore condensante E00120110695 : scheda gestione
13.0	23/09/2013	Aggiunte clip scatola aria



Vokera reserve the right to change the specifications without prior notice.
Consumers' statutory rights are not affected.