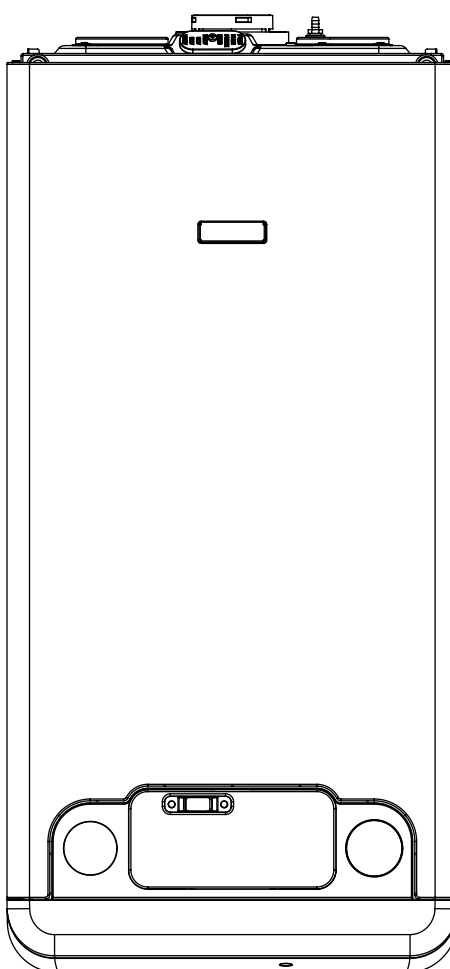
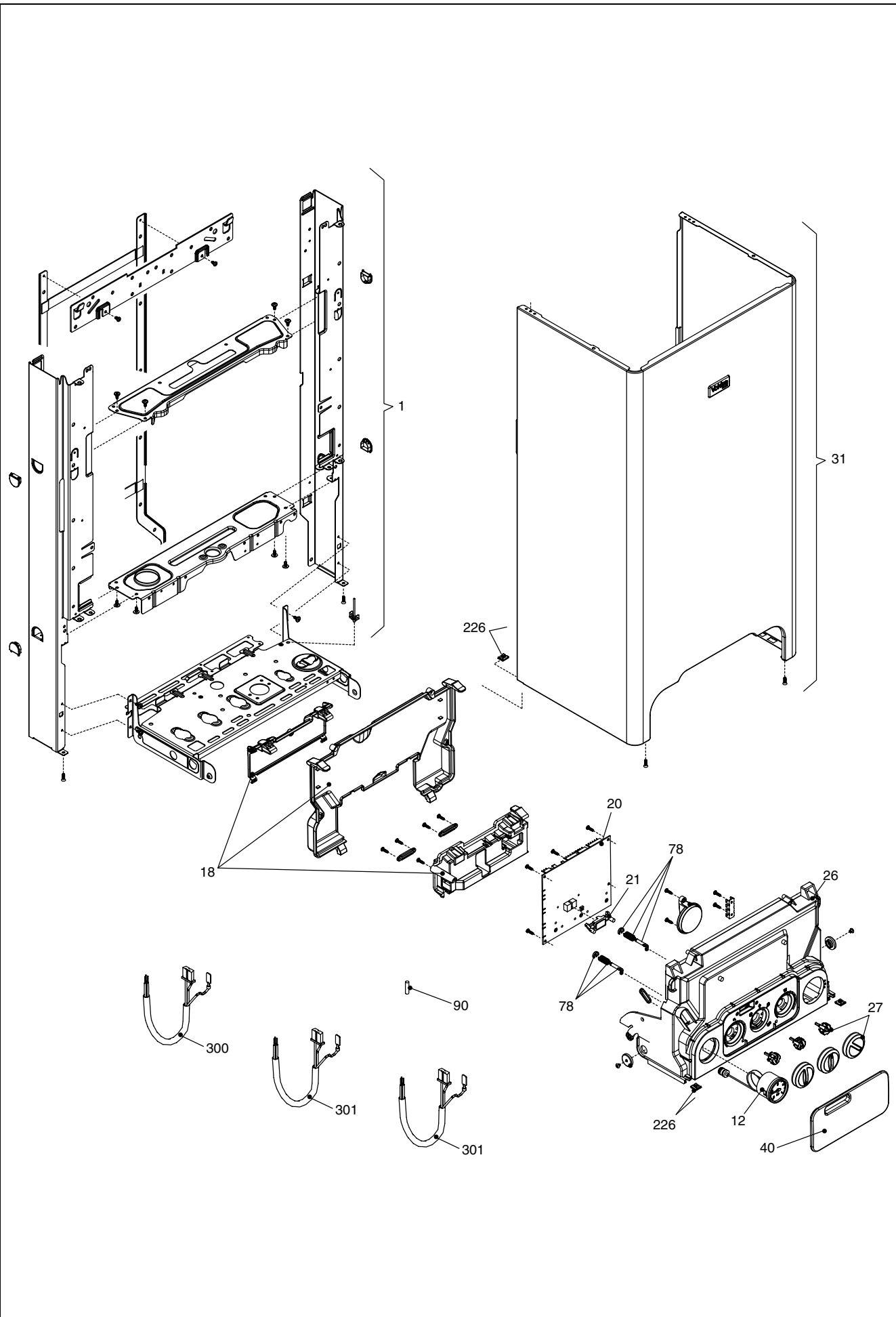


**Wall hung boilers**

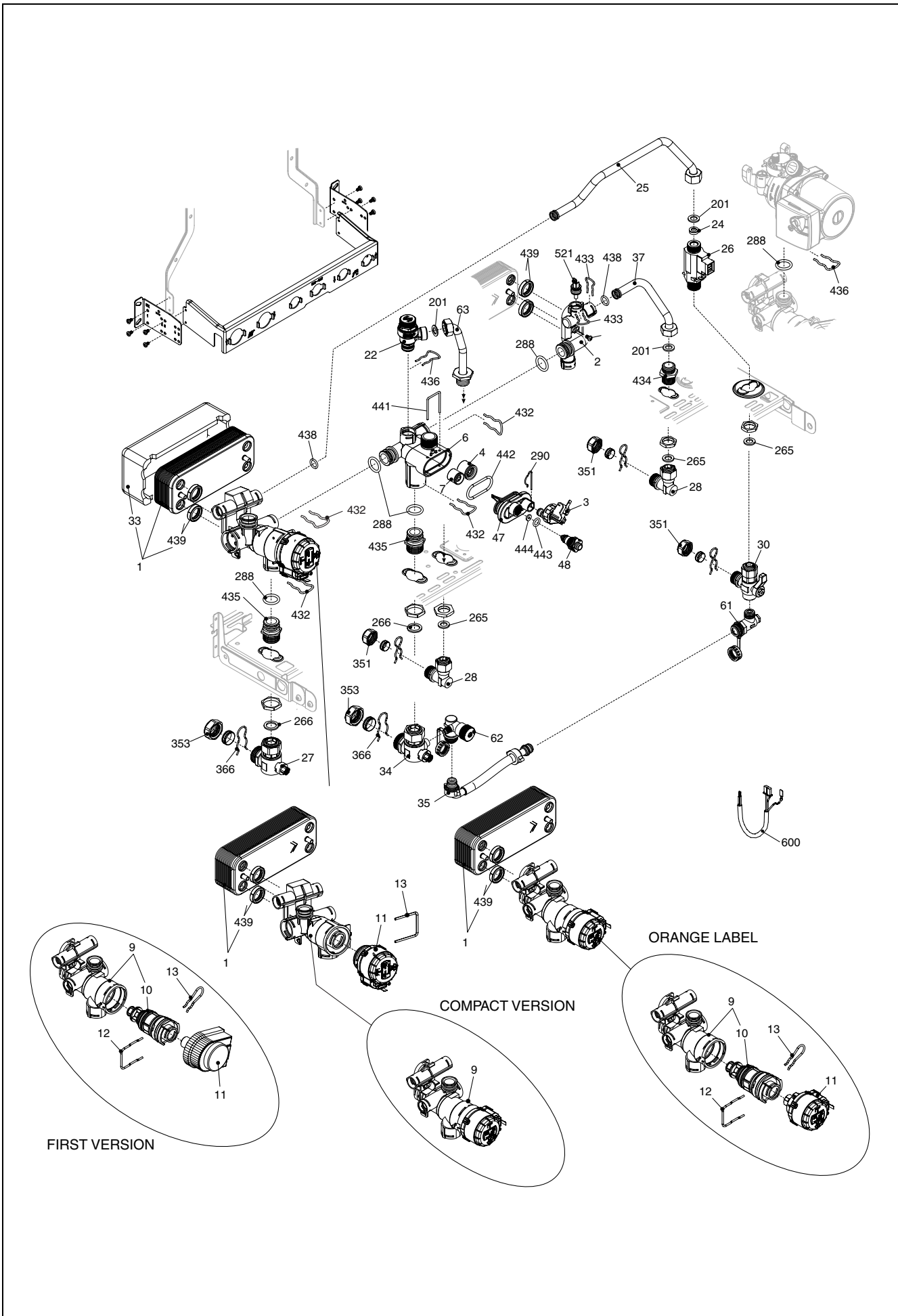
**UNICA HE**



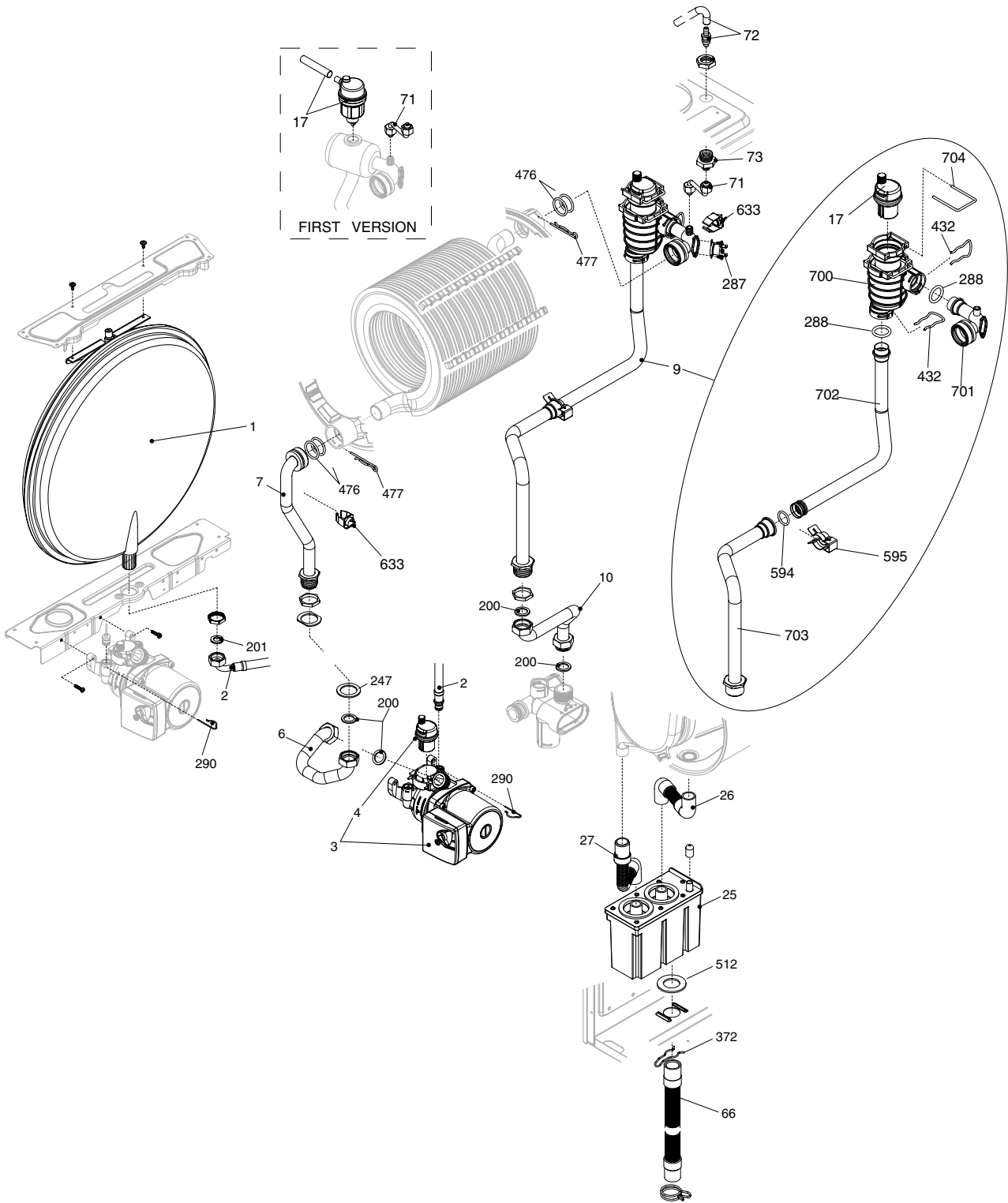
MODEL	PART NUMBER	
	MTN	GPL
Unica 32 HE	2351053 (912)	2351055 (913)
Unica 36 HE	2351063 (914)	2351065 (915)



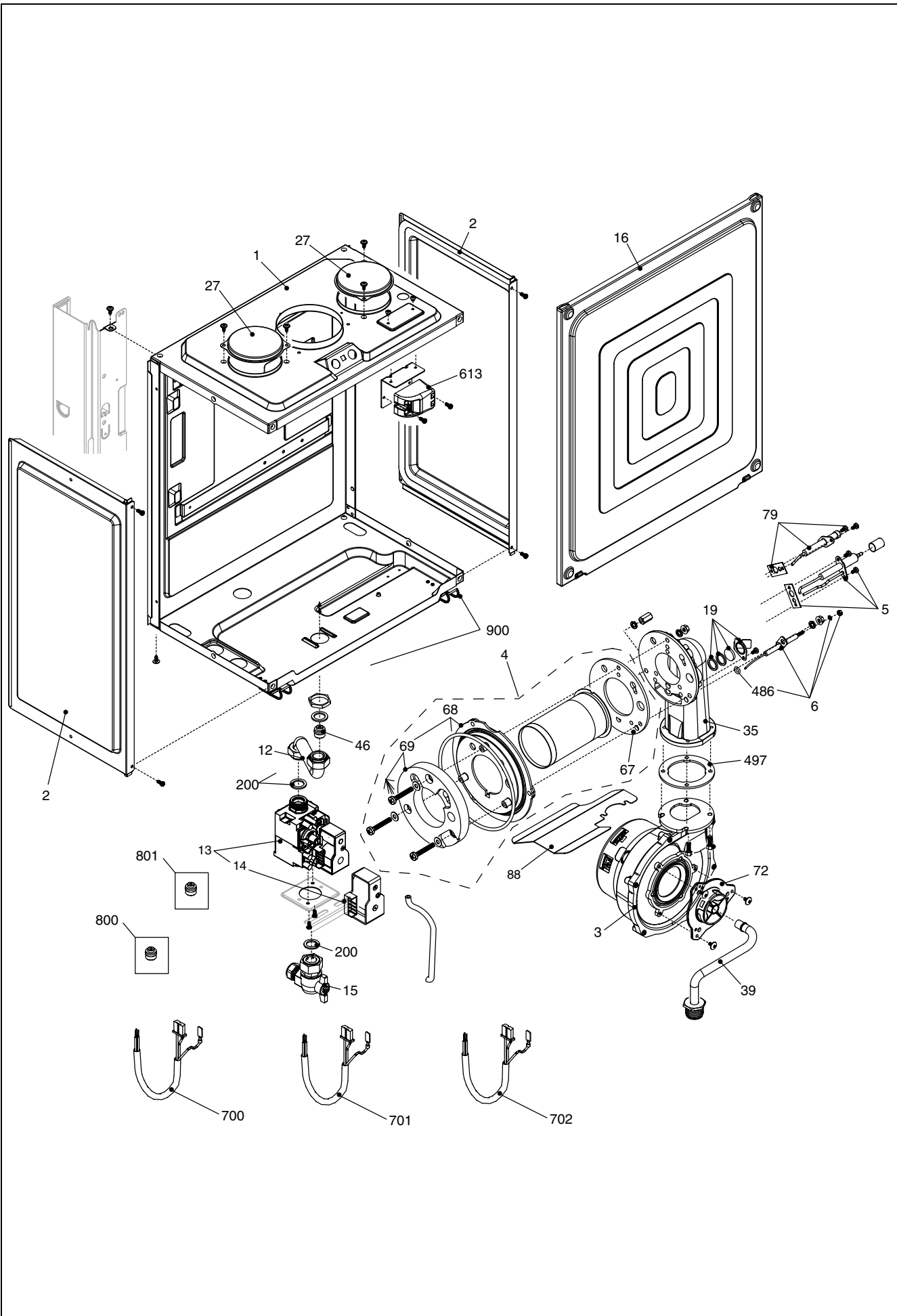
POS.	DESCRIPTION	32	36
1	Frame assembly	R01005406	R01005406
12	Pressure gauge	R2564	R2564
18	Cover assembly	R10028554	R10028554
20	Printed circuit board	20008307	20008307
21	Led light guide	R10028557	R10028557
26	Instrumental panel	R10028632	R10028632
27	Knob assembly	R10028559	R10028559
31	Case Assembly	20019250	20019250
40	Electrical panel	R10030136	R10030136
78	Hinge assembly	R01005442	R01005442
90	Fuse	R3478	R3478
226	Clip	R5128	R5128
300	Wiring harness	R10028593	R10028593
301	Power wiring harness	R10028596	R10028596
302	Low tension cable	R10028634	R10028634



POS.	DESCRIPTION	32	36
1	Exchanger	R1957	R10024627
2	Connection	R10030114	R10030114
3	Water pressure switch	R10028141	R10028141
4	Non return valve	R10025056	R10025056
6	By-pass casing	R10024641	R10024641
7	By-pass valve	R2047	R2047
9	3-way heating manifold and cartridge (First version)	R10026508	R10026508
9	Distribution Header (compact version)	20034037	20034037
9	3-way heating manifold and cartridge (orange label)	R10026508	R10026508
10	3 way valve cartridge (First version)	R10025305	R10025305
10	Distribution Header (compact version)	20034037	20034037
10	3 way valve cartridge (orange label)	R10025305	R10025305
11	Actuator (First version)	R10025304	R10025304
11	Actuator (compact version)	20017594	20017594
11	Actuator (orange label)	20024841	20024841
12	Clip	R10025450	R10025450
13	Clip (First version)	R10025449	R10025449
13	Clip (compact version)	20017598	20017598
13	Clip (orange label)	R10025449	R10025449
22	Safety valve	20043820	20043820
24	Flow governor	R10025080	R10026046
24	Flow governor	R10026041	R10026041
24	Flow governor	R10026045	R10026042
25	Pipe	R10025839	R10025839
26	Dhw actuator	R10022349	R10022349
27	Heating cock	R1789	R1789
28	Connection	R1790	R1790
30	Cock	R10023567	R10023567
33	Exchanger Insulator	20007047	20007047
34	Cock	R10023566	R10023566
35	Flexible pipe	R10023570	R10023570
37	Pipe	R10025840	R10025840
47	Cover for by-pass assembly	R10024643	R10024643
48	Cock	R10024646	R10024646
61	Non return valve	R10023569	R10023569
62	Cock	R10023568	R10023568
63	Pipe	R10026228	R10026228
201	Washer	R5026	R5026
265	Washer	R5236	R5236
266	Washer	R5237	R5237
288	Ring	R6898	R6898
290	Clip	R2165	R2165
351	Nut	R1823	R1823
353	Nut	R1824	R1824
366	Clip	R1820	R1820
432	Clip	R10024958	R10024958
433	Clip	R10024986	R10024986
434	Nipple	R10024985	R10024985
435	Fitting/union	R10025059	R10025059
436	Clip	R10025062	R10025062
438	O ring	R10024988	R10024988
439	Washer	R10025067	R10025067
441	Clip	R10025063	R10025063
442	O ring	R10025065	R10025065
443	O ring	R10025064	R10025064
444	Washer	R10025066	R10025066
521	NTC sensor	R10027351	R10027351
600	Wiring harness (First version)	R10028633	R10028633
600	Wiring harness	20022564	20022564

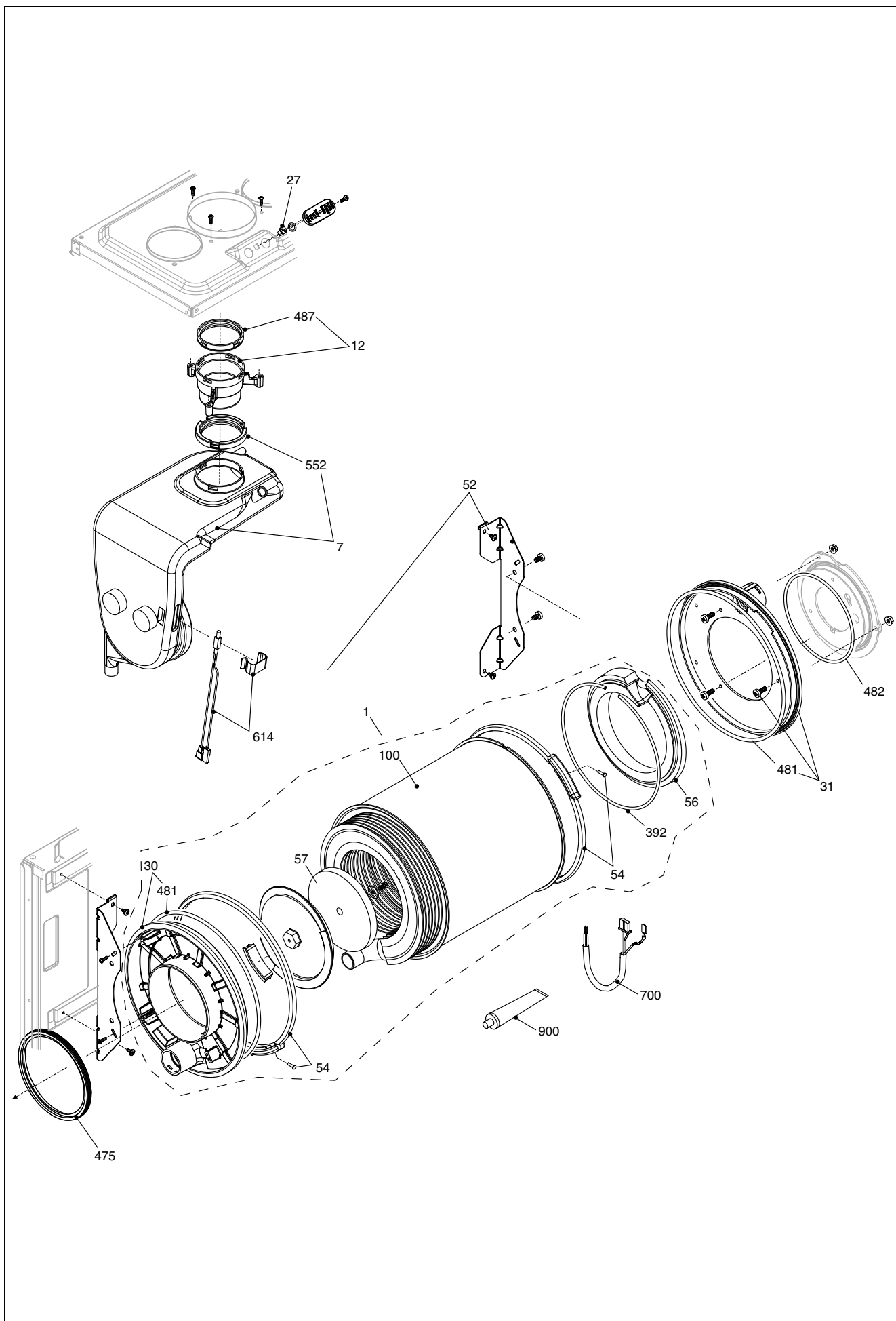


POS.	DESCRIPTION	32	36
1	Expansion vessel	R2573	R2573
2	Pipe	R10025188	R10025188
3	Pump	R10027571	R10027571
4	Air vent bottle	R10025485	R10025485
6	Pipe	R10026264	R10026264
7	Pipe	R10026267	R10026267
9	Pipe	20019769	20045328
10	Pipe	R10028643	R10028643
17	Air venting plug (first version)	R10029306	R10029306
17	Air venting plug	20019768	20019768
25	Siphon	R10028405	R10028405
26	Flexible pipe	R10027191	R10027191
27	Flexible pipe	R10027192	R10027192
66	Flexible pipe	R10026272	R10026272
71	Pipe (first version)	R10028516	R10028515
71	Pipe	20019766	20020178
72	Drain tap	R01005137	R01005137
73	Cock	R10028431	R10028431
200	Washer	R5023	R5023
201	Washer	R5026	R5026
247	Washer	R5203	R5203
287	High limit thermostat	R2258	R2258
288	O ring	R6898	R6898
290	Clip	R2165	R2165
372	Clip	R2588	R2588
432	Clip	R10024958	R10024958
476	O ring	R10026324	R10026324
477	Split pin	R10026269	R10026269
512	Washer	R10027193	R10027193
594	O ring	20024869	20024869
595	Clip	20024086	20024086
633	NTC sensor	20003819	20003819
700	Air venting plug kit	20019888	20032553
701	Pipe	20019764	20019764
702	Pipe	20019763	20019763
703	Pipe	20019765	20020192
704	Clip	20019767	20019767





POS.	DESCRIPTION	32	36
1	Roomsealed chamber	R10028447	R10028447
2	Roomsealed chamber side	R10026231	R10026231
3	Fan	R10028456	R10028456
4	Burner assembly	R10028537	R10028537
5	Spark / ignition electrode	R10027864	R10027864
6	Condense electrode	R10026316	R10026316
12	Gas pipe	R10026318	R10026318
13	Gas valve	20039202	20039202
14	Gas valve solenoid	20040675	20040675
15	3/4" gas cock	R10020897	R10020897
16	Combustion chamber cover	R10026230	R10026230
19	Glass stopper assembly	R10026328	R10026328
27	Plug	20005586	20005586
35	Air gas conveyor	R10028420	R10028420
39	Pipe	R10028204	R10028206
46	Gas diaphragm 6,7	R10027161	R10027162
46	Gas diaphragm 5,0	R2112	R2111
67	Washer Ø 62	R10026322	R10026322
68	Flange and insulation	20046835	20046835
69	Tryton	20046836	20046836
72	Mixer	20015932	20015932
79	Flame detection electrode	R10028422	R10028422
88	Fan protection	20006411	20006411
200	Washer	R5023	R5023
486	O ring	R10026325	R10026325
497	Washer	R10026796	R10026796
613	Transformer	20002969	20002969
700	Gas valve cable	R10028599	R10028599
701	Wiring harness	20001681	20001681
702	Spark electrode cable	R10026558	R10026558
800	Ng conversion kit	R01005465	R01005466
801	LPG conversion kit	R01005447	R01005448



POS.	DESCRIPTION	32	36
1	Condensing exchanger assembly	R01005366	R01005369
7	Conveyor	20007053	20007053
12	Flue drain connection	R10028421	R10028421
27	Nut screw	R10020625	R10020625
30	Flange	20047573	20047573
31	Burner flange	20047807	20047807
52	Bracket-kit	20051029	20051029
54	Ring closing	20047811	20047811
56	Insulation panel	20047812	20047812
57	Tryton retarder	20036537	20036537
100	Container exchanger	20048270	20048271
392	Washer	20047819	20047819
475	Outlet heat exch.seal gasket	R10026323	R10026323
481	Washer	20047802	20047802
482	Inlet heat exch.seal gasket	R10026366	R10026366
487	Washer Ø 60	R10026345	R10026345
552	Washer Ø 60	R10028426	R10028426
614	High limit	20001564	20001564
700	Combustion cable	R10028601	R10028601
900	Tube sealant	20047820	20047820

Rev.	data	Descrizione
1.0	12/03/07	Modifiche varie
2.0	20/01/08	E00120070221 : scheda
3.0	17/04/08	E00120080089 : cablaggi, trasformatore, termostato fumi, termostato limite E00120070171 : cambiato disegno convogliatore scarico fumi
4.0	05/09/08	E00120080230 : sonda a contatto – E00120080317 : protezione ventilatore
5.0	12/10/09	E00120080360 : coibente – E00120090492 : nuovo brand Vokera E00120090526 : mixer
6.0	04/01/2010	E00120090590 : rampa degasatore – E00120090613 : tappo scatola aria
7.0	04/02/2010	E00120100026 : gruppo distribuzione zero brass
8.0	05/10/2010	E00120100019 : molletta – E00120100115 : molletta e OR rampa degasatore Corretto posizione cablaggio idraulico
9.0	08/04/2011	Inserito tryton scambiatore condensante – inserito degasatore circolatore
10.0	31/05/2011	E00120110291 : gruppo idraulico ibrido – E00120110306 : valvola gas E00120110317 : nuova bobina valvola gas
11.0	20/12/2011	E00120110494 : valvola di sicurezza 3 bar E00120110744 : Flangia e isolante bruciatore
12.0	03/07/2012	Gestione componenti scambiatore condensante E00120110695 : scheda gestione – E00120120111 : assieme rampa
13.0	12/03/2013	Cambiato bruciatore mail 12/03/13 di M.Bonaiti Aggiunte clip scatola aria




---

Vokera reserve the right to change the specifications without prior notice.  
Consumers' statutory rights are not affected.