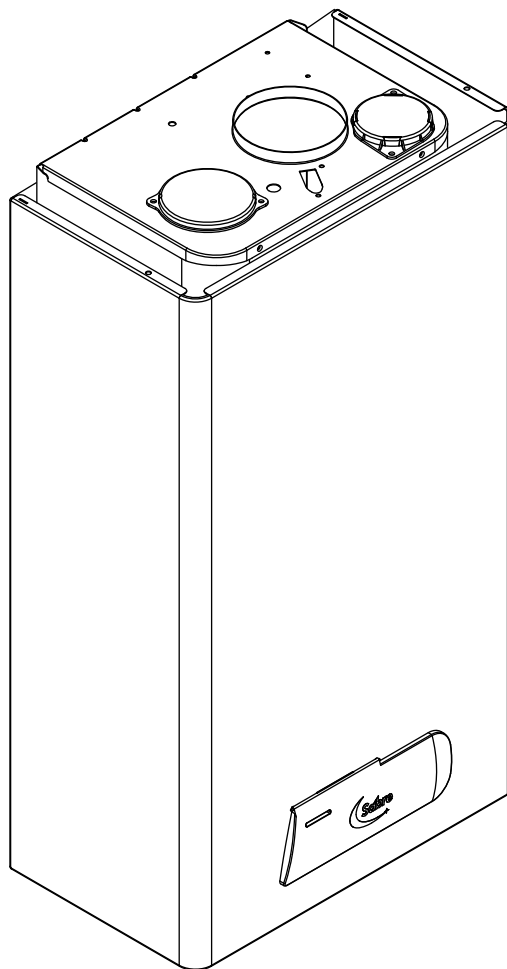
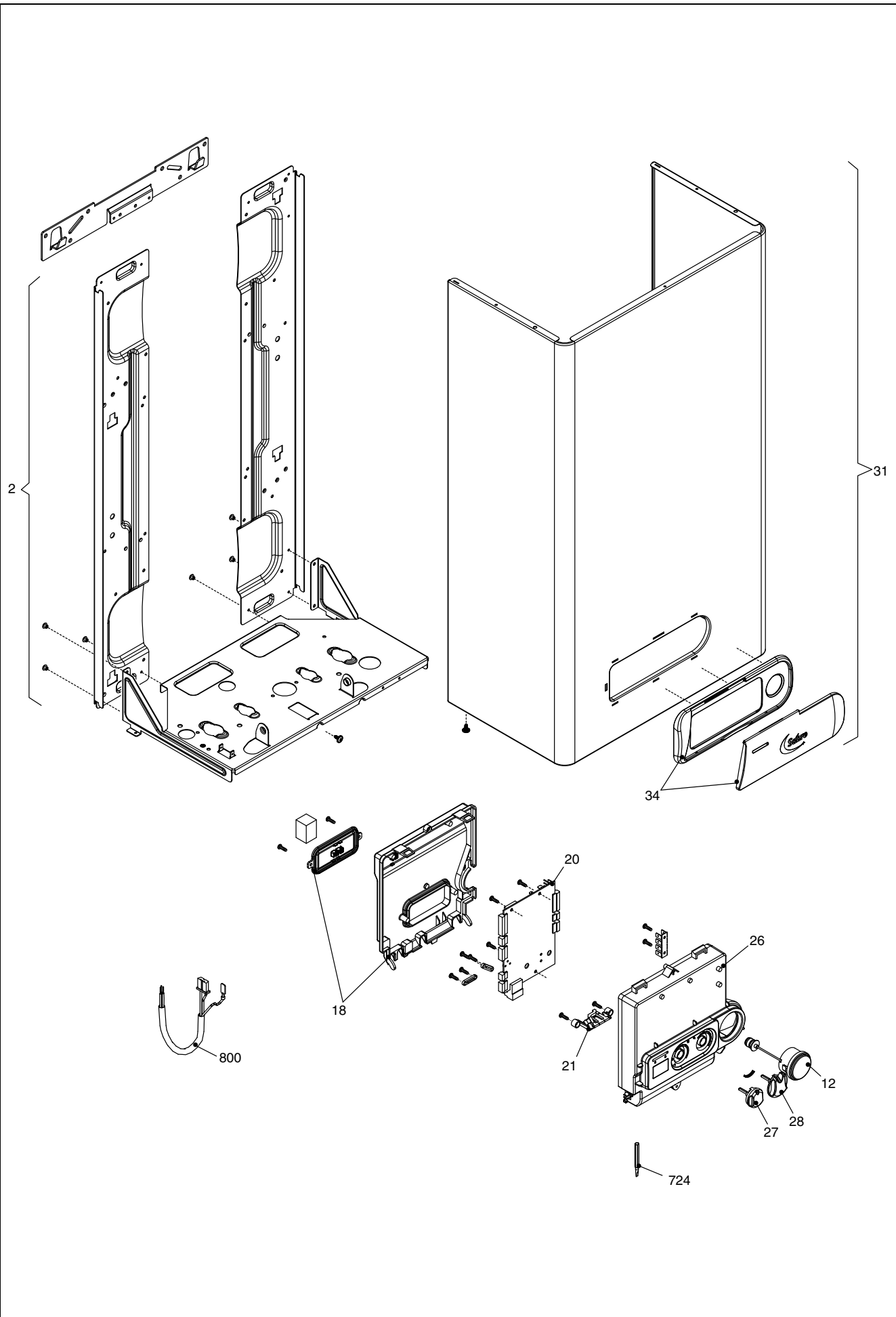


Wall hung boilers

Sabre 25 HE Plus

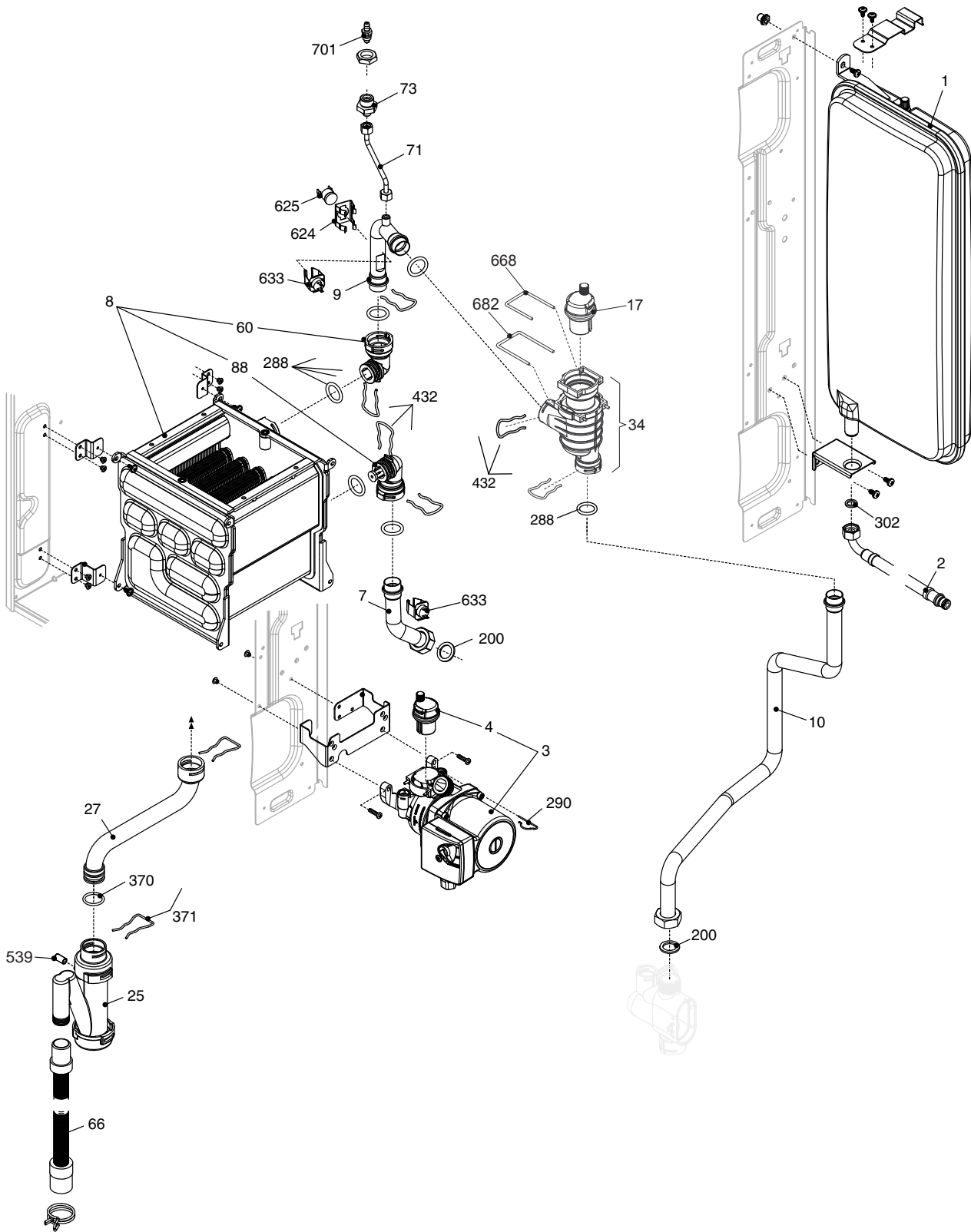


MODEL	PART NUMBER	
	MTN	GPL
Sabre 25 HE Plus	20039217	-

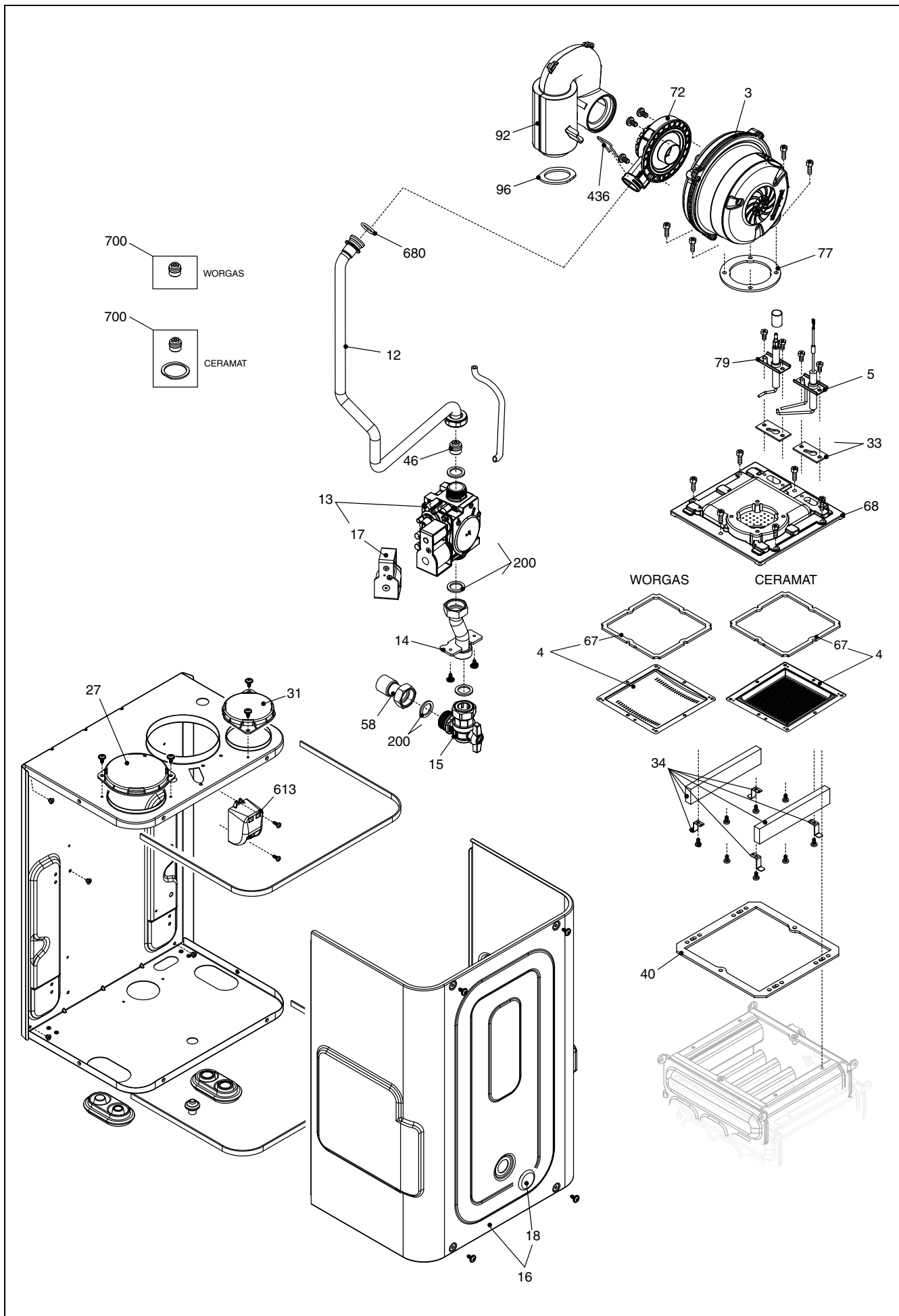


POS.	DESCRIPTION	25HE
2	Frame	20060133
12	Quick primer pressure gauge	20005580
18	Control panel cover	20026055
20	Printed circuit board AKL03	20069541
21	led light guide	20013352
26	Instrumental plate	20041053
27	Knob	20005579
28	Knob	20005575
31	Case	20041049
34	Fixing door	20041051
724	Calibration screwdriver	R2455
800	Power wiring harness	20035405
800	Low tension cable	20113021
800	Wiring harness	20011449
800	Cable	R1547

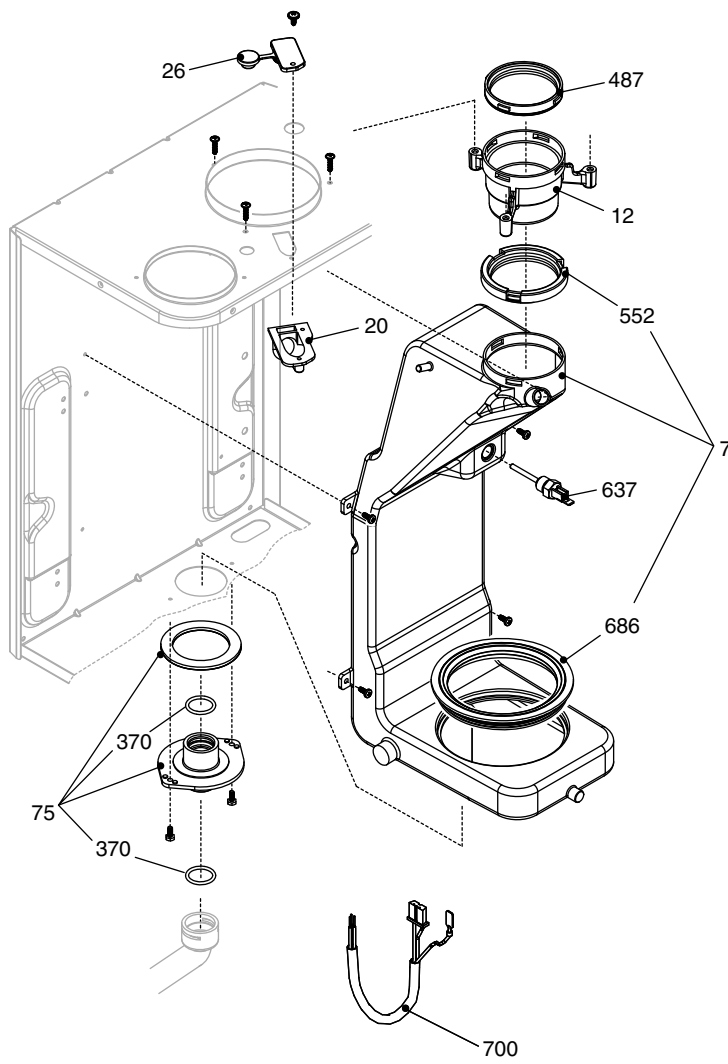
POS.	DESCRIPTION	25HE
1	Exchanger	R8036
2	Fitting/union	20092620
4	Non return valve	R10025056
5	Connection	R10024647
6	By-pass casing	R10024642
7	High head by-pass valve	R1552
8	Pipe	R10025057
9	3-way heating manifold and cartridge	20021497
10	Cartridge	20043594
11	Actuator	20017594
13	Clip	20017598
22	Safety valve	20043820
24	Flow governor	R10026043
25	Pipe	R10024982
26	Dhw actuator	20073700
27	3/4" heat water cock	R1592
28	Pipe	20025758
29	Pipe	20025756
30	Cock	20035394
37	Pipe	20013140
47	Cover for by-pass assembly	R10024643
48	Cock	R10024646
58	Pipe	20025757
63	Pipe	20036120
65	Pipe	R10024983
200	Washer	R5023
201	Washer	R5026
288	O ring	R6898
290	Clip	R2165
432	Clip	R10024958
433	Clip	R10024986
434	Nipple	R10024985
435	Fitting/union	R10025059
436	Clip	R10025062
438	O ring	R10024988
439	Washer	R10025067
441	Clip	R10025063
442	O ring	R10025065
443	O ring	R10025064
444	Washer	R10025066
521	NTC sensor	R10027351
619	Pressure	20003181
700	Hydraulic control cable	20017596



POS.	DESCRIPTION	25HE
1	8 lt. expansion vessel	20034320
2	Flexible pipe	20012937
3	Pump Kit	20039926
4	Air vent bottle	R10025485
7	Pipe	20039153
8	Condensing exchanger assembly	20039923
9	Pipe	20025764
10	Pipe	20039151
17	Air vent valve	20019768
25	Siphon	20025733
27	Condensation outlet tube kit	20025743
34	Degasser kit	20019888
60	Connection	20039953
66	Flexible pipe	R10027545
71	Pipe	20025746
72	Vent plug	R10023235
73	Cock	R10028431
88	Connection	20039954
200	Washer	R5023
288	O ring	R6898
290	Clip	R2165
302	Washer	R5025
370	O ring	R10023533
371	Clip	R10023532
432	Clip	R10024958
539	Plug	R10028002
624	Clip	R5472
625	High limit thermostat	20005585
633	NTC Detector	20078350
668	Clip	20019767
682	Clip	20120828



POS.	DESCRIPTION	25HE
3	Fan	20002995
4	Burner (Worgas)	20044896
4	Burner (Cerammat)	20044892
5	Spark ignition electrode	20025737
12	Pipe	20039152
13	Gas valve	20039202
14	Gas pipe	20040474
15	3/4" gas cock	R2266
16	Combustion chamber cover	20005594
17	Gas valve solenoid	20040675
18	Plug	20005550
27	Hole cover	20005586
31	Hole cover	20049606
33	Electrode seal	20025740
34	Protection	20044890
40	Heat exchanger seal (25kw)	20044894
46	Gas diaphragm (Worgas)	R10023451
46	Gas diaphragm 5.1 (Cerammat)	R2353
58	Pipe	20025757
67	Burner seal (kw25)	20116624
68	Cover	20044895
72	Mixer	20025761
77	Washer	20025753
79	Flame sensor electrode	20043523
92	Silencer	20025760
96	27mm diaphragm (Worgas)	20041473
96	31mm diaphragm (Cerammat)	20041058
200	Washer	R5023
436	Clip	R10025062
613	Ignition transformer	20001563
680	Washer	20024869
700	Ng conversion kit (Worgas)	20029043
700	Ng conversion kit (Cerammat)	20045568
700	LPG conversion kit (Cerammat)	20045569



POS.	DESCRIPTION	25HE
7	Conveyor	20026060
12	Flue drain connection	R10028421
20	Outlet nut	20026049
26	Plug	20026058
75	Flue collector	20026056
370	O ring	R10023533
487	Washer Ø 60	R10026345
552	Washer Ø 60	R10028426
637	Flue sensor	20007050
686	Washer	20026059
700	Combustion cable	20025736

Rev.	data	Descrizione
1.0	24/10/2011	E00120110473 : cartuccia gruppo distributore E00120110373 : mensola telaio - E00120110498 : rivetto messa a terra
2.0	29/11/2011	E00120110688 : aggiornamento combustione
3.0	19/10/2012	E00120120434 : miglioramento strutturale E00120110494 : valvola di sicurezza 3 bar
4.0	04/03/2013	E00120120819 : fondo scatola aria
5.0	17/04/2013	E00120130250 : bruciatore Ceramat
6.0	25/02/2014	E00120131003 : flussostato – E00120130919 : scheda gestione E00120120610 : guarnizione or
7.0	11/07/2016	aggiunta molletta tappo degasatore – aggiunta guarnizione bruciatore corretto disegno cartuccia valvola tre vie



*The code of practice for the installation,
commissioning & servicing of central heating systems*

Ultimate Discount reserve the right to change the specifications without prior notice.
Consumers' statutory rights are not affected.